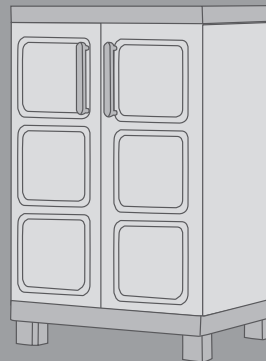
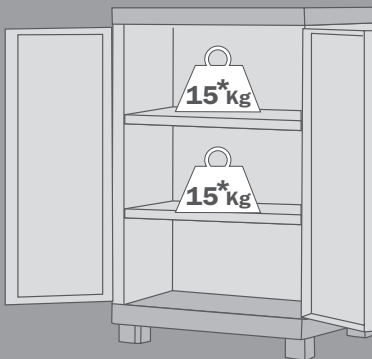


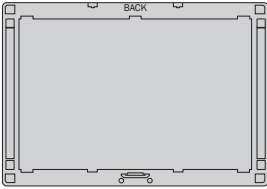

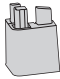



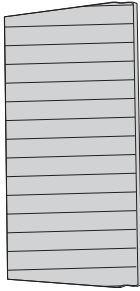




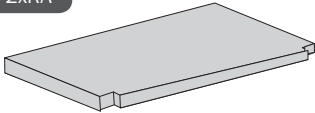





# EXCELLENCE

9709000

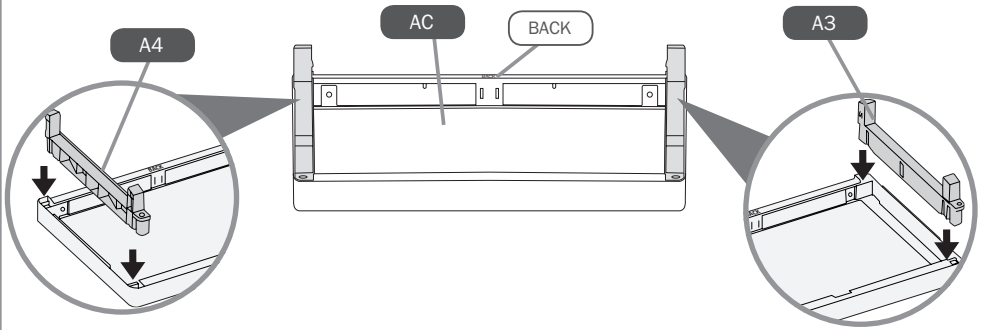
cm 65x45x97 h



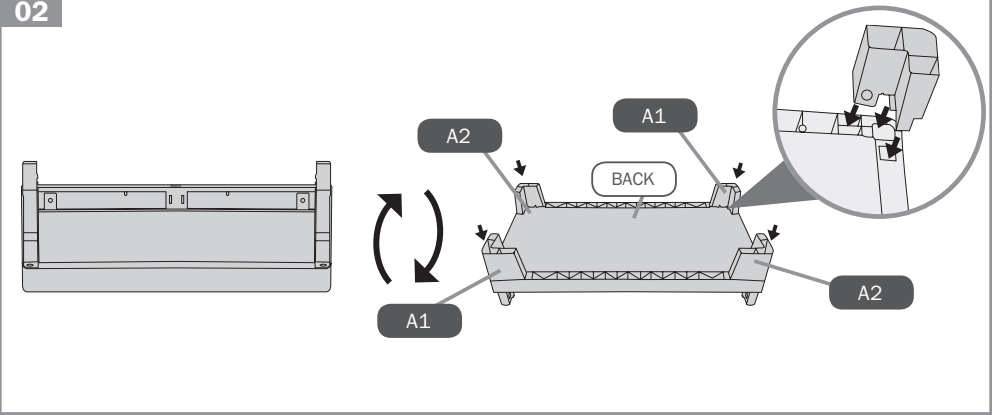
\* Distribué uniformement - Uniformemente distribuido - Distribuiti uniformemente - Equally distributed

<p><b>2xAC</b></p> 	<p><b>2xA1</b></p> 	<p><b>2xA2</b></p> 	
	<p><b>2xA3</b></p> 	<p><b>2xA4</b></p> 	
<p><b>2xB1</b></p> 	<p><b>1x</b></p> 	<p><b>2xC2</b></p> 	
	<p><b>1xCDS/CDSL</b></p> 	<p><b>1xCLS</b></p> 	<p><b>2xTMB</b></p> 
<p><b>2xRA</b></p> 	<p><b>1xCDD/CDDL</b></p> 	<p><b>1xCLD</b></p> 	<p><b>2xBMB</b></p> 
	<p><b>4x [4,2X22mm]</b></p> 		<p><b>4x [3,9X16mm]</b></p> 

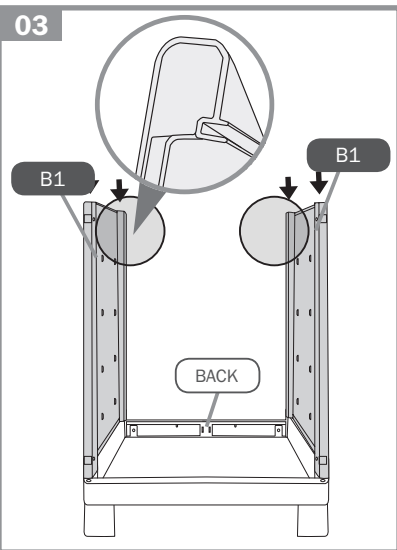
01



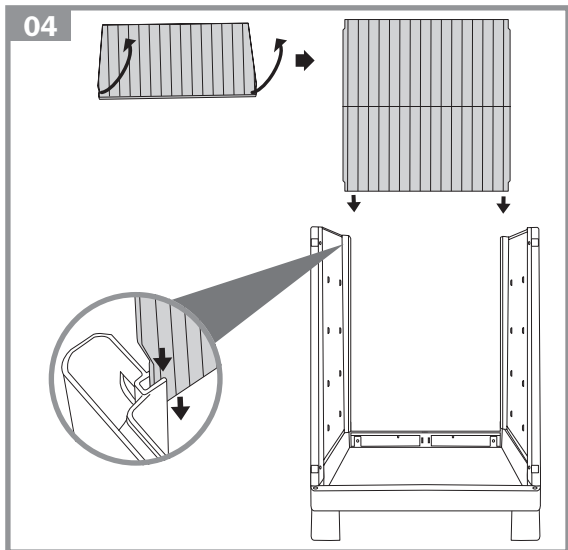
02



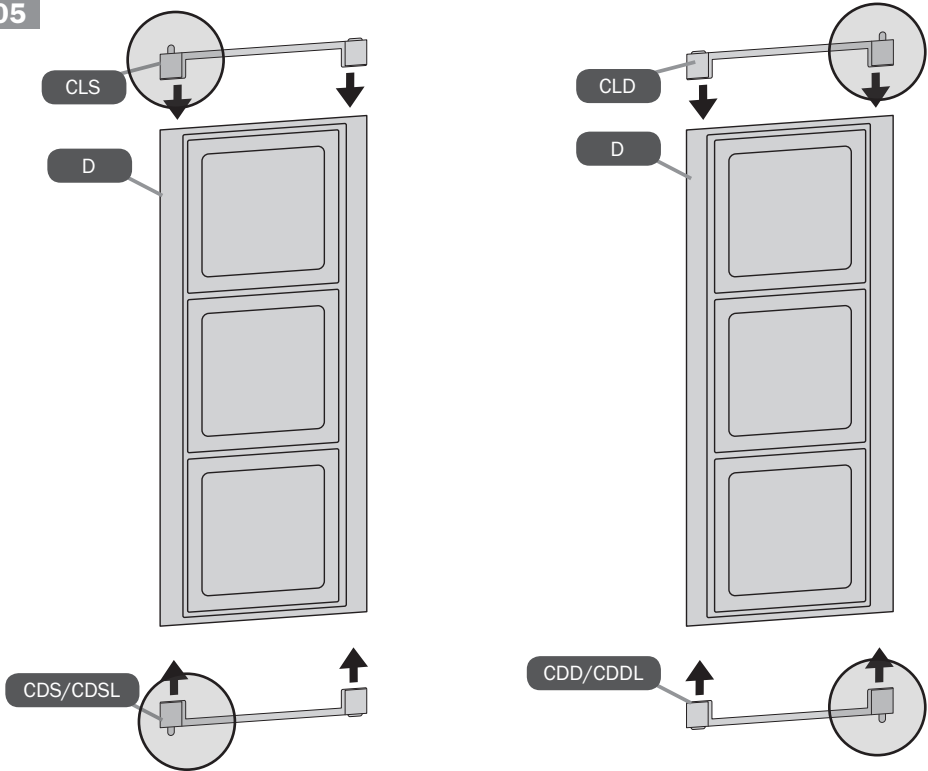
03



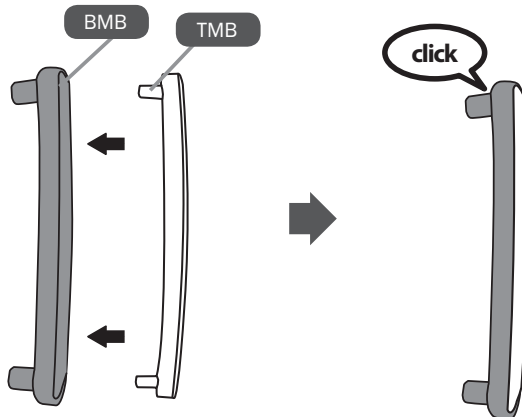
04



05



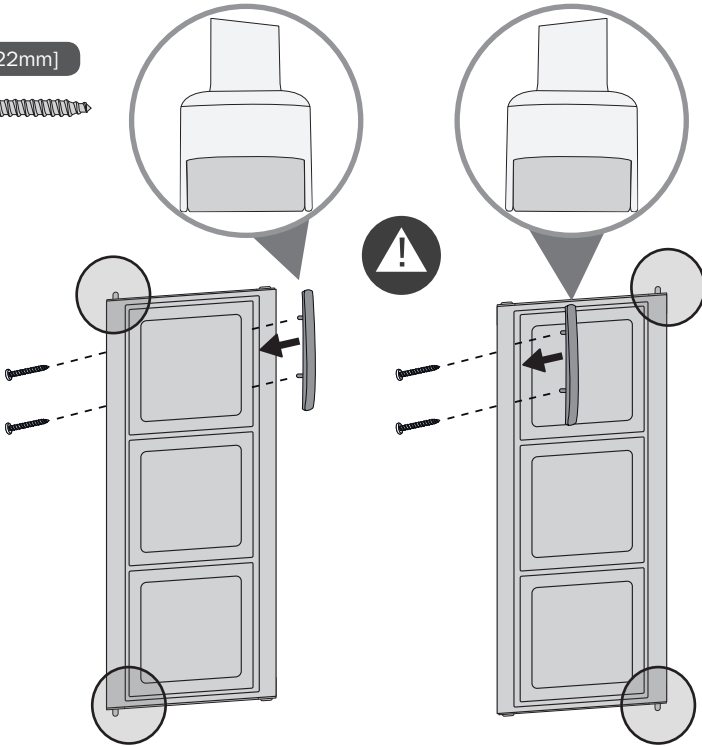
06



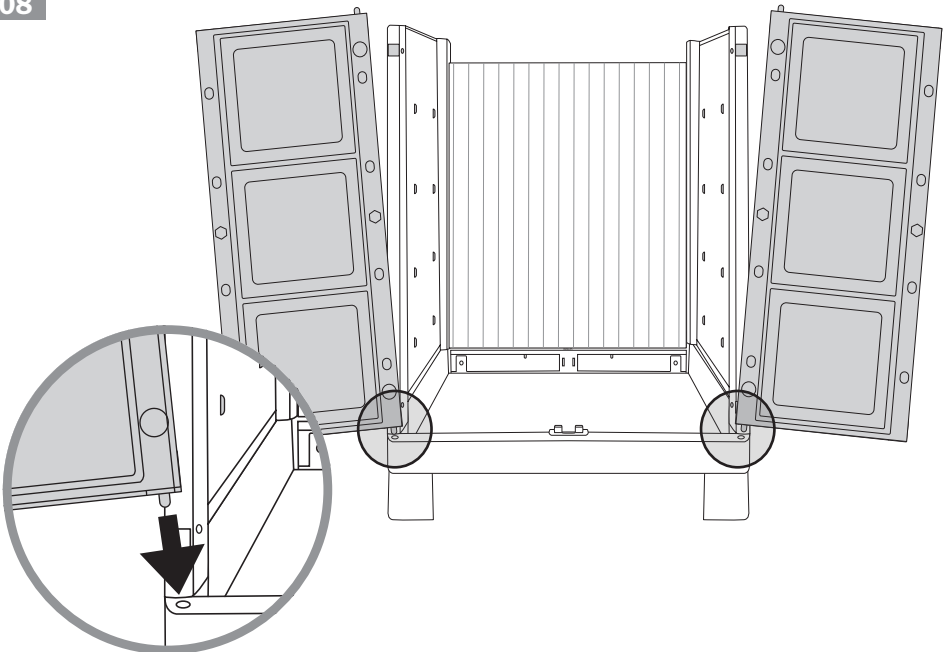
x2

07

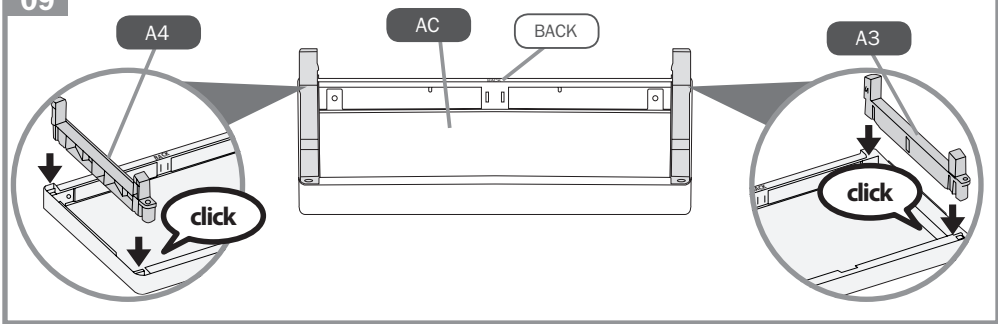
4x [4,2X22mm]



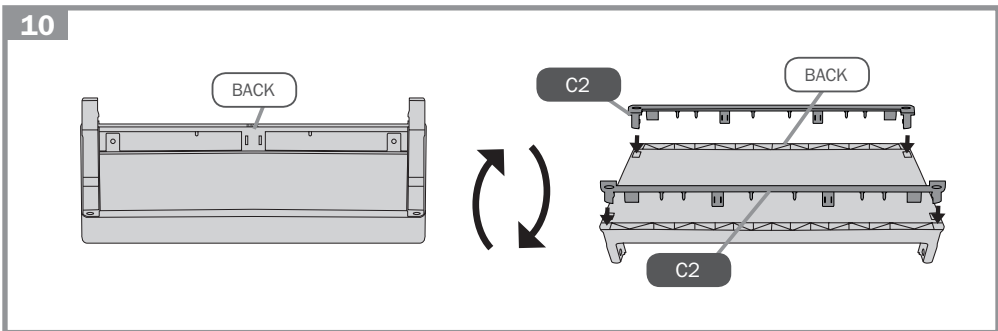
08



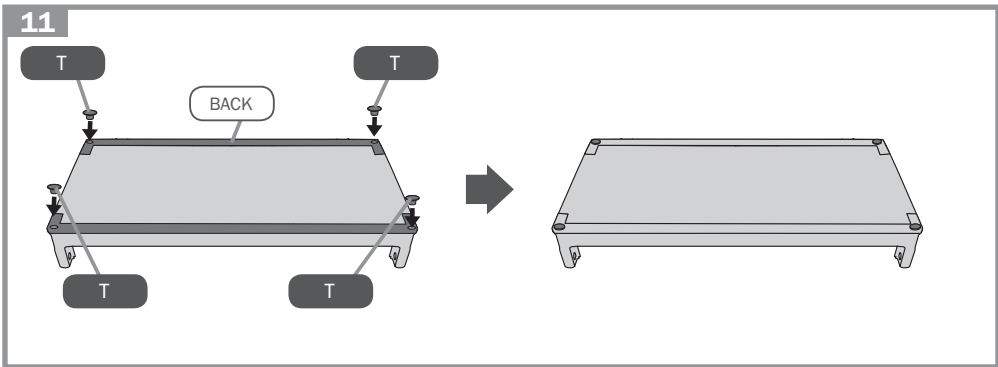
09



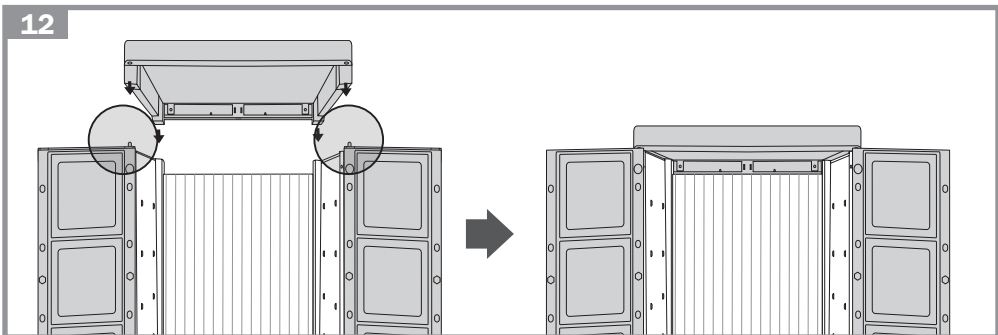
10



11

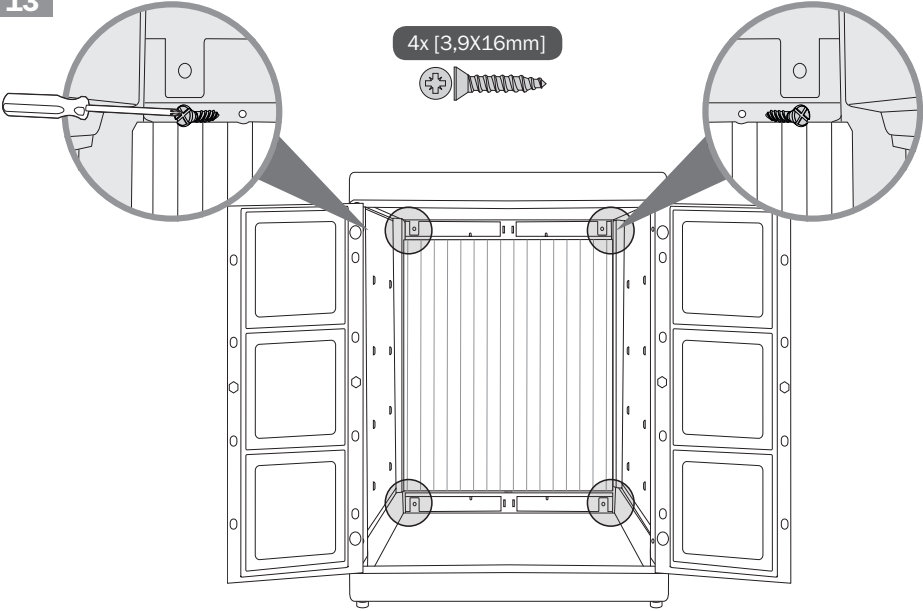


12



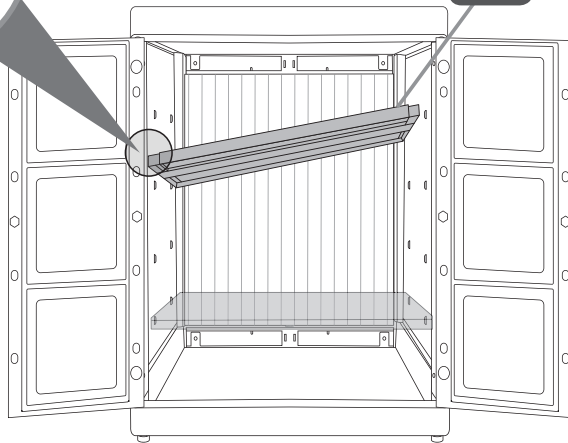
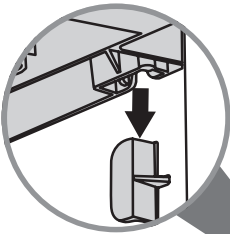
13

4x [3,9X16mm]



14

RA



x2

