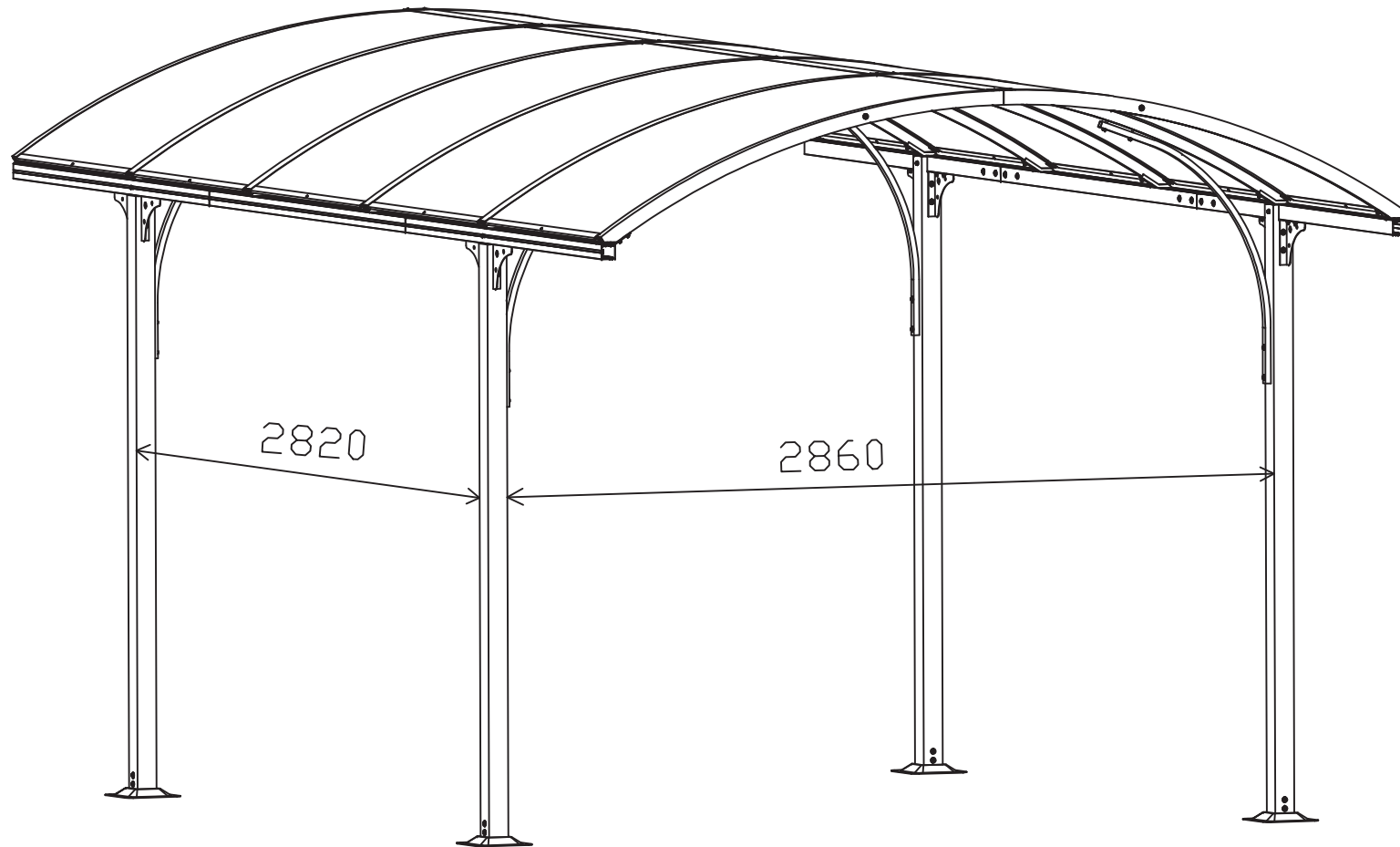
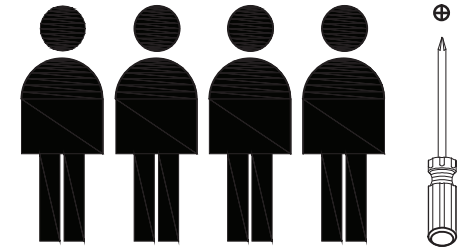













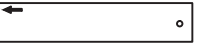

















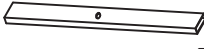


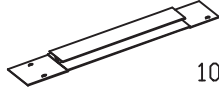


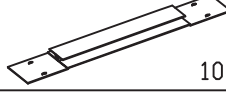

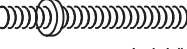
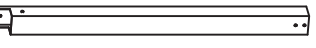

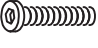


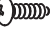




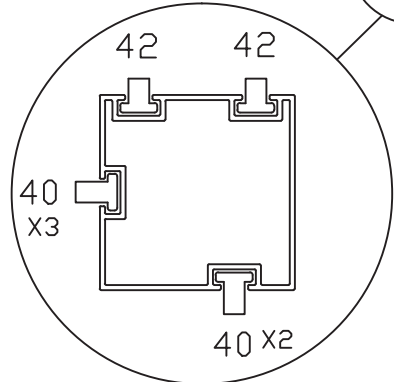
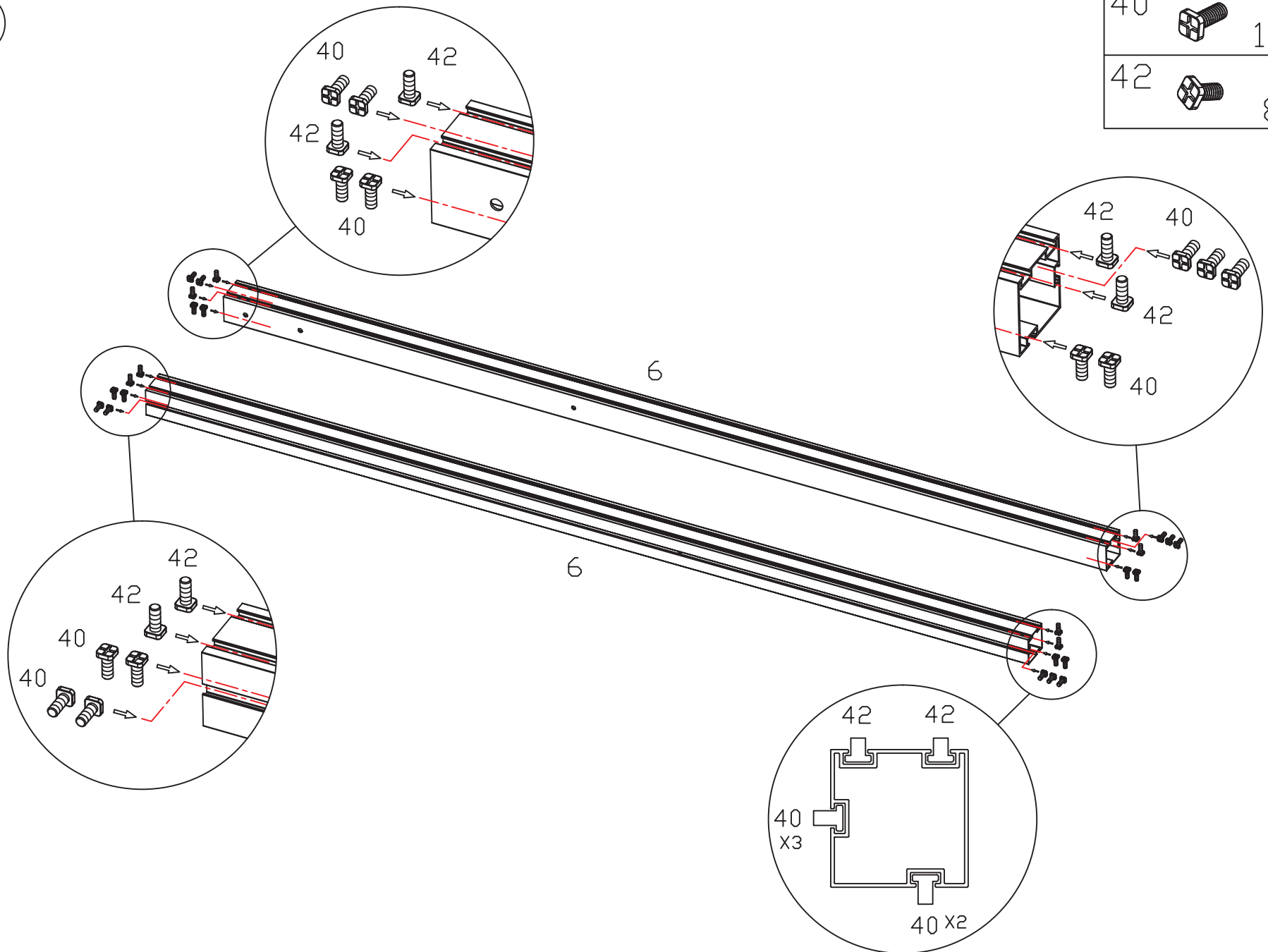
282636- CARPORT ALU 485X300





#	 MM	×	#	 MM	×	#	 MM	×	#	 MM	×
1A	 1550mm	4×	14	 1614mm	2×	36	 6×	49	 1/4", 1/4", 5/16"	1×	
1B	 1550mm	4×	15	 1614mm	2×	38	 1/4"×15mm	86×	50	 50×50	4×
2A	 1550mm	2×	21N	 4X1550X950mm	10×	39	 ø7×19×1.6mm	188×	51	 4×	
2B	 1550mm	2×	23	 947mm	10×	40	 1/4"×15mm	58×	52	 2×	
5	 1614mm	2×	24	 1197mm	4×	41	 1/4"×75mm	4×	53	 2×	
6	 1614mm	2×	25	 8×	42	42	 1/4"×10mm	24×	55	 20×20	8×
7	 1614mm	2×	26	 4×	43	43	 1/4"×35mm	8×			
8	 905mm	10×	28	 8×	44	44	 1/4"×6mm	100×			
9	 1002mm	2×	29	 2×	45	45	 5/16"×76mm	16×			
10	 1020mm	3×	30	 2×	46	46	 1/4"×57mm	8×			
11	 2035mm	4×	33	 4×	47	47	 1/4"×38mm	12×			
13	 1614mm	2×	35	 4×	48	48	 M4×8mm	12×			

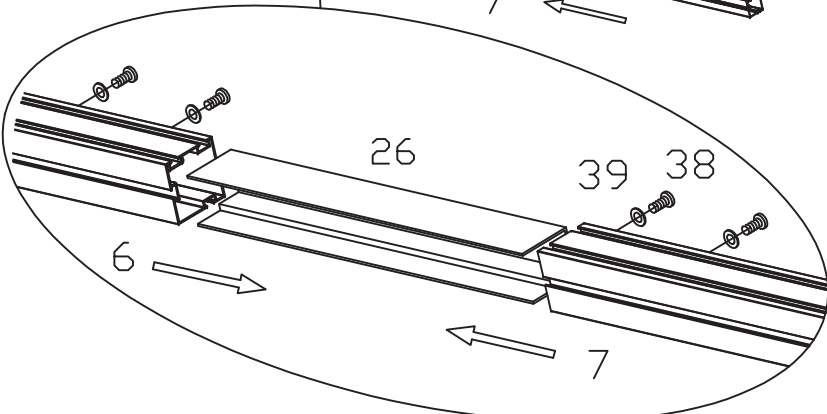
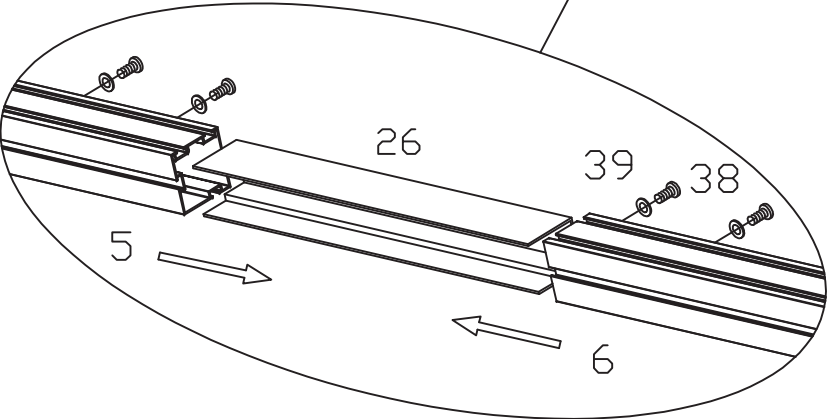
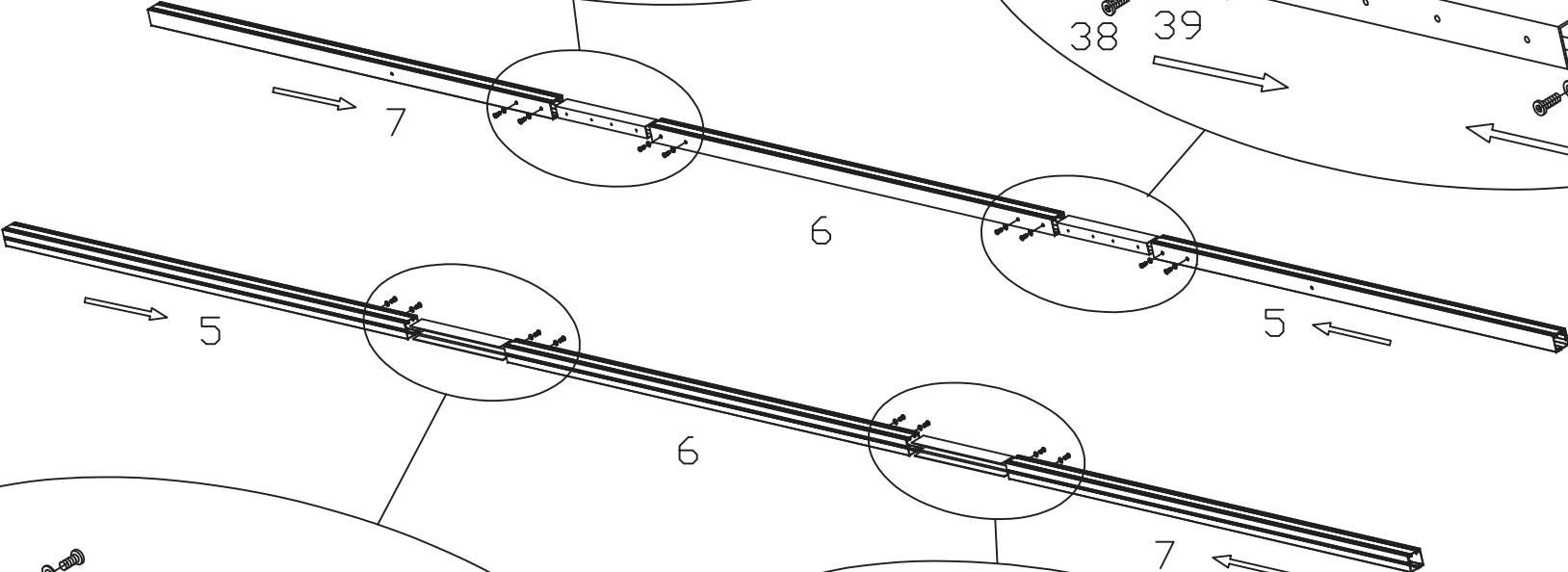
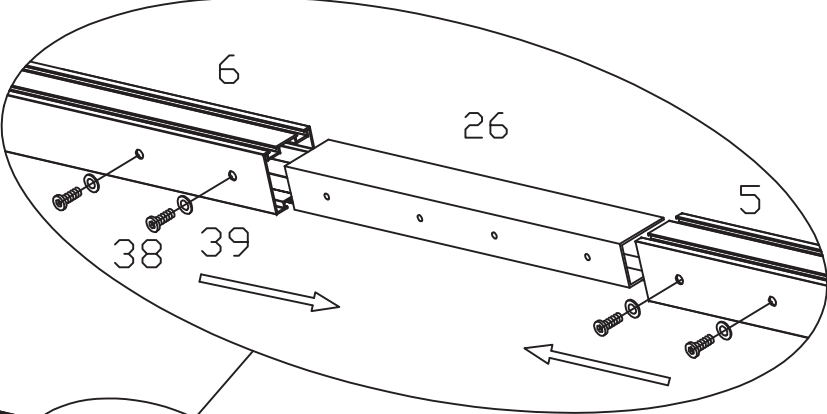
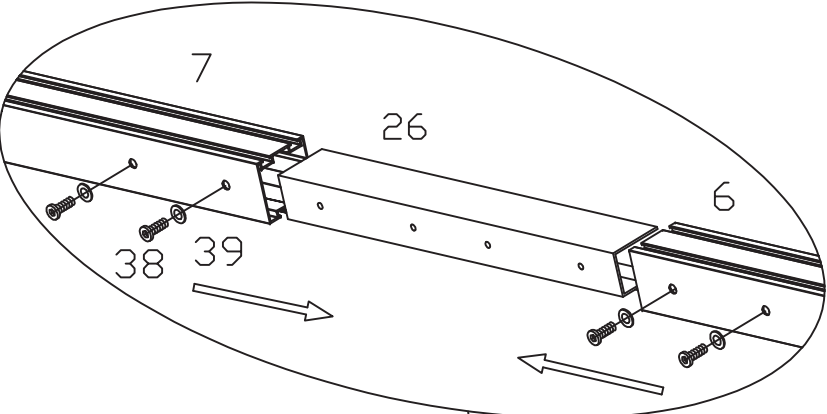
1

40		18x
42		8x

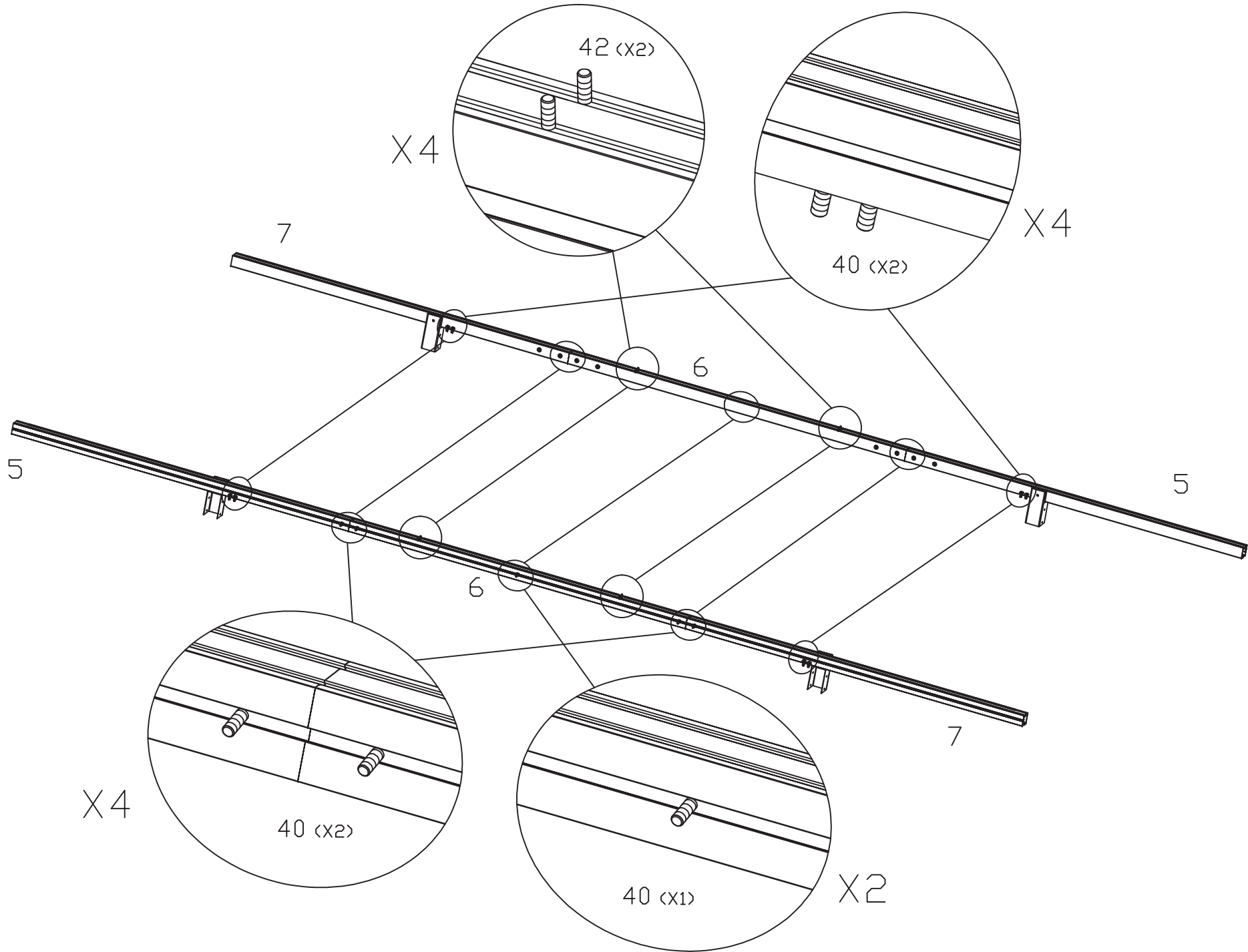


2

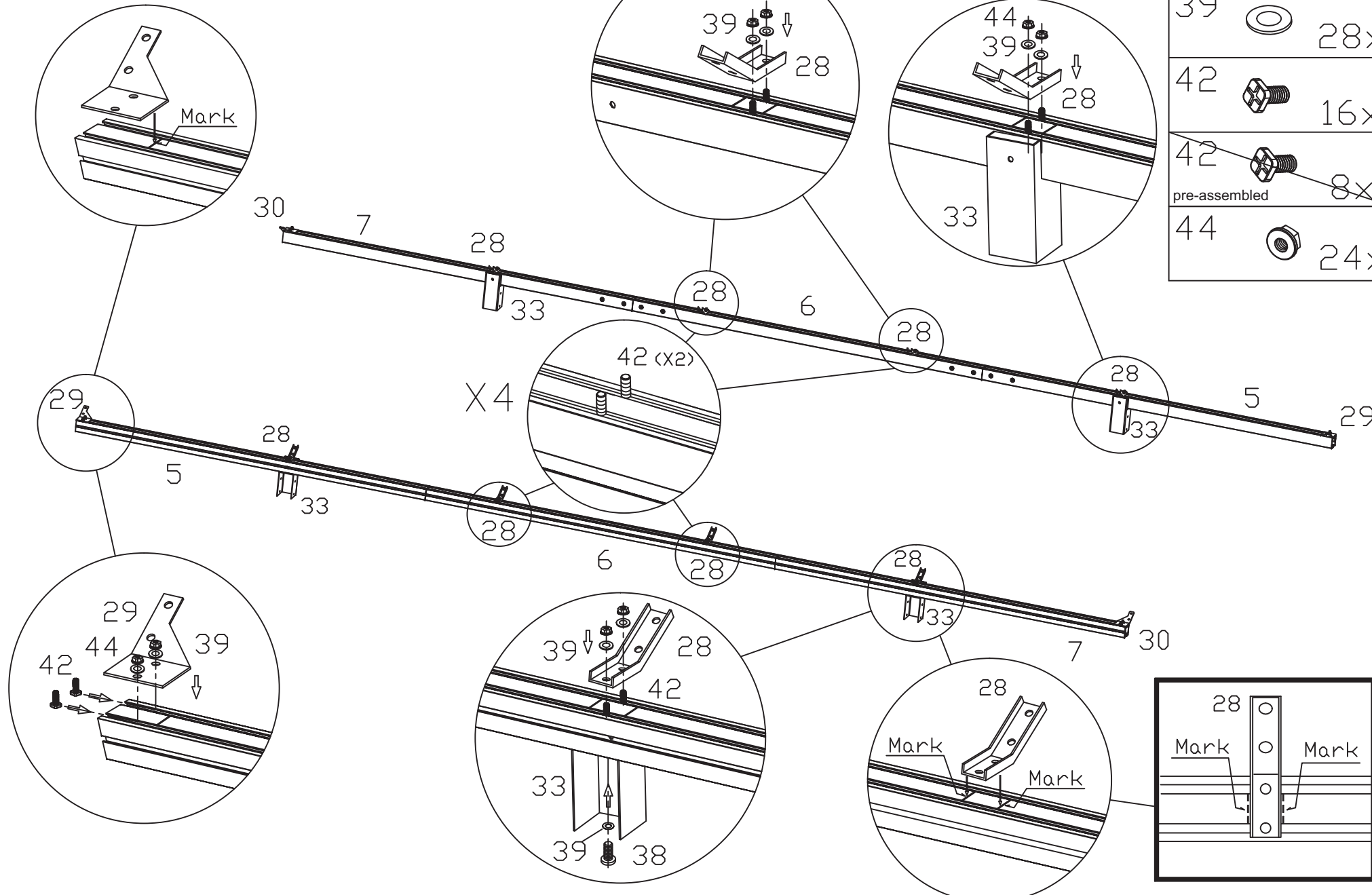
38		16x
39		16x



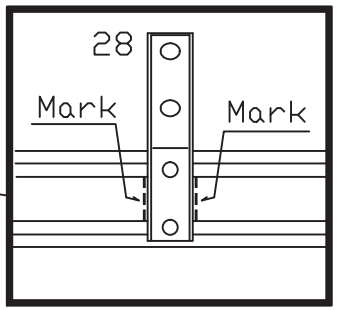
3



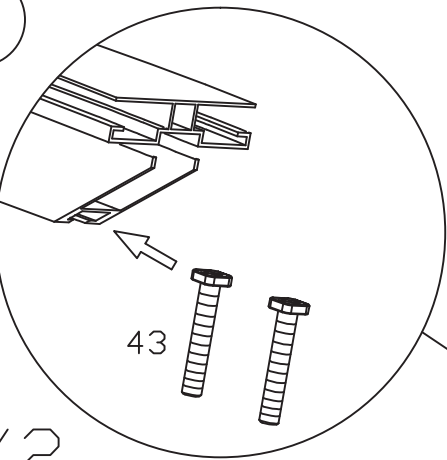
4



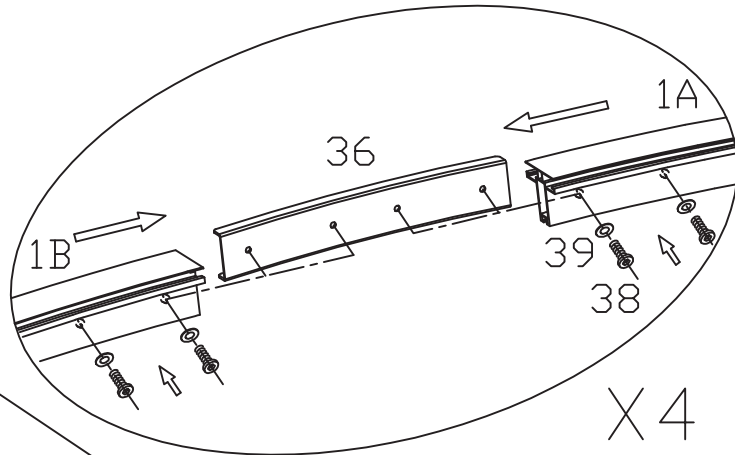
38		4x
39		28x
42		16x
42		8x
pre-assembled		
44		24x



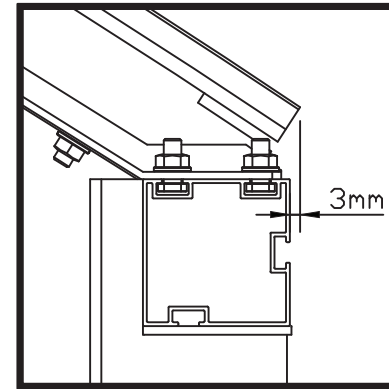
5




X2




X4

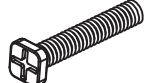



X4

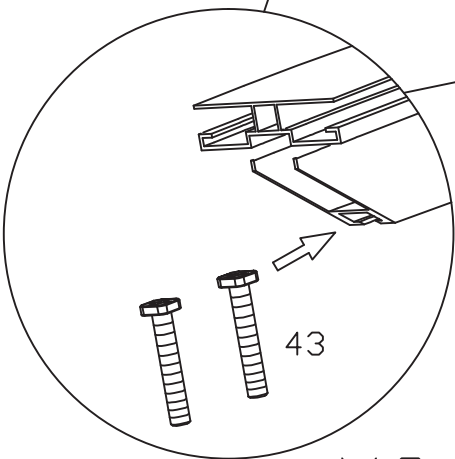
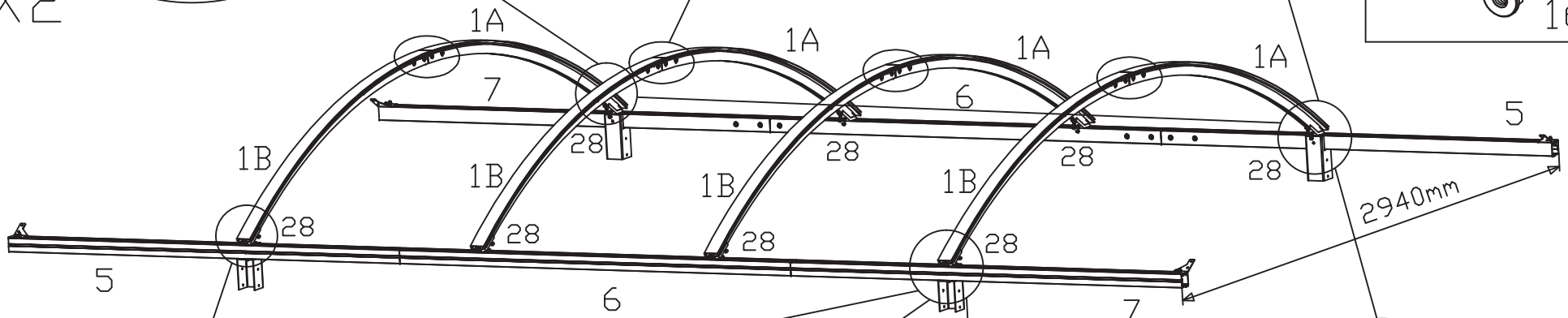
38  16x

39  32x

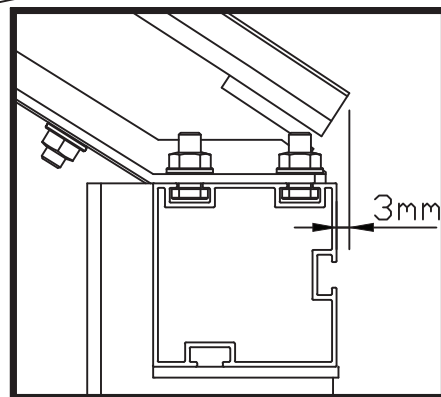
40  16x

43  8x

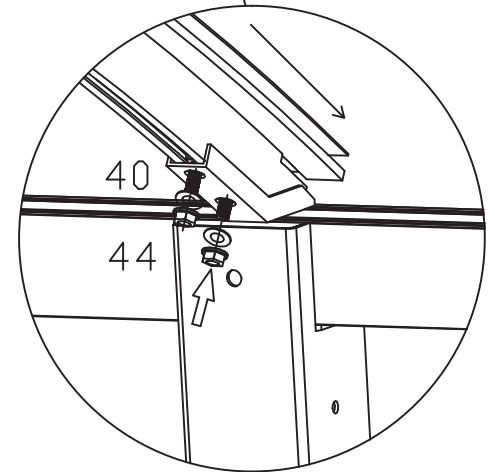
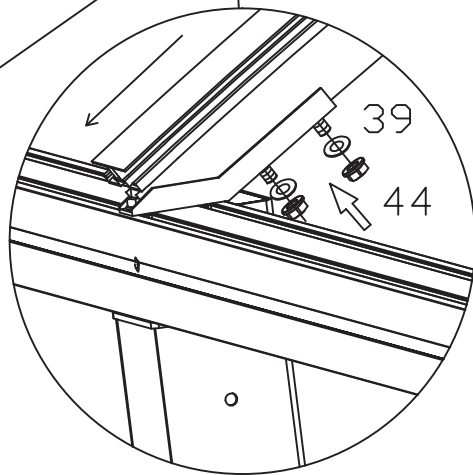
44  16x



X2

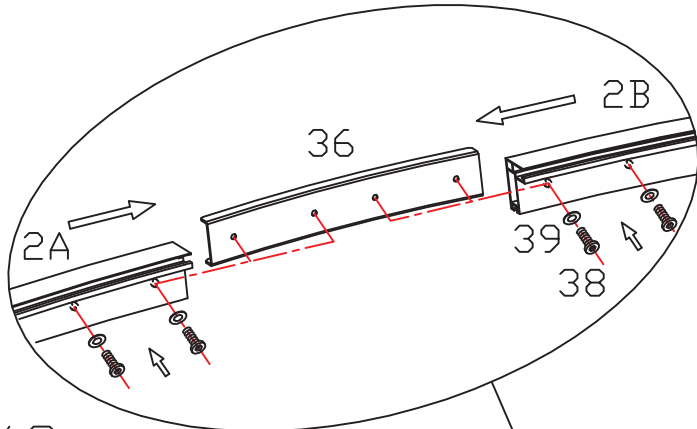


X4

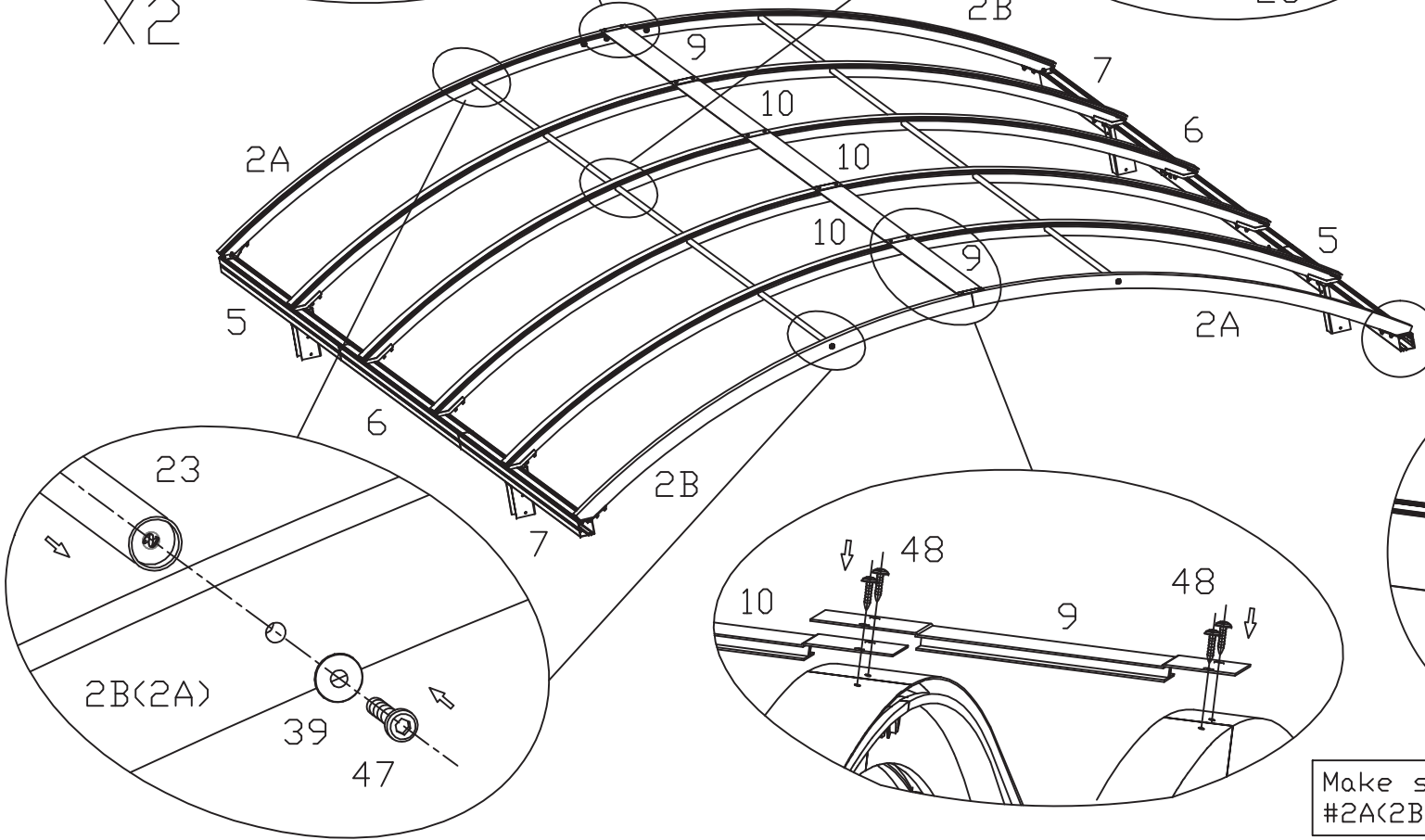
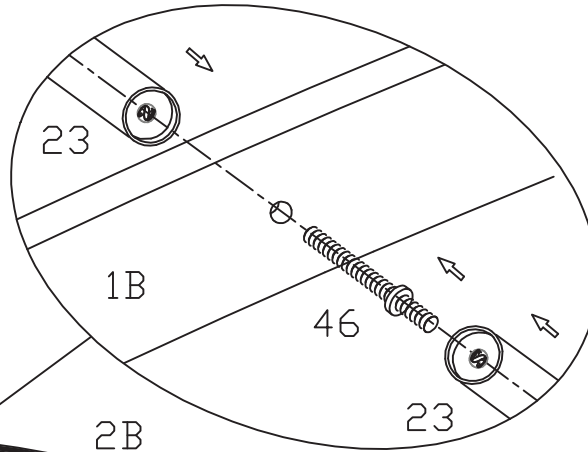


Make sure #28 and #1A (1B) are fixed properly

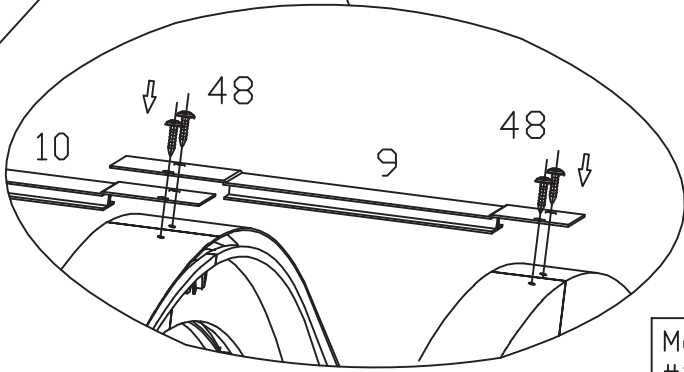
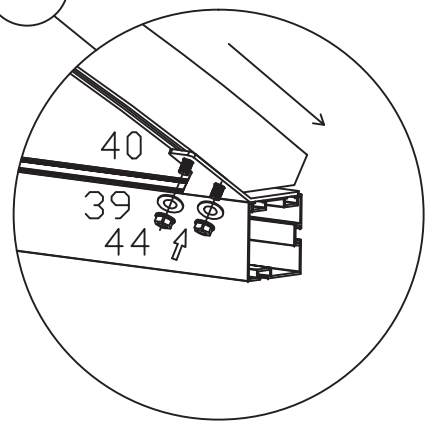
6



X2






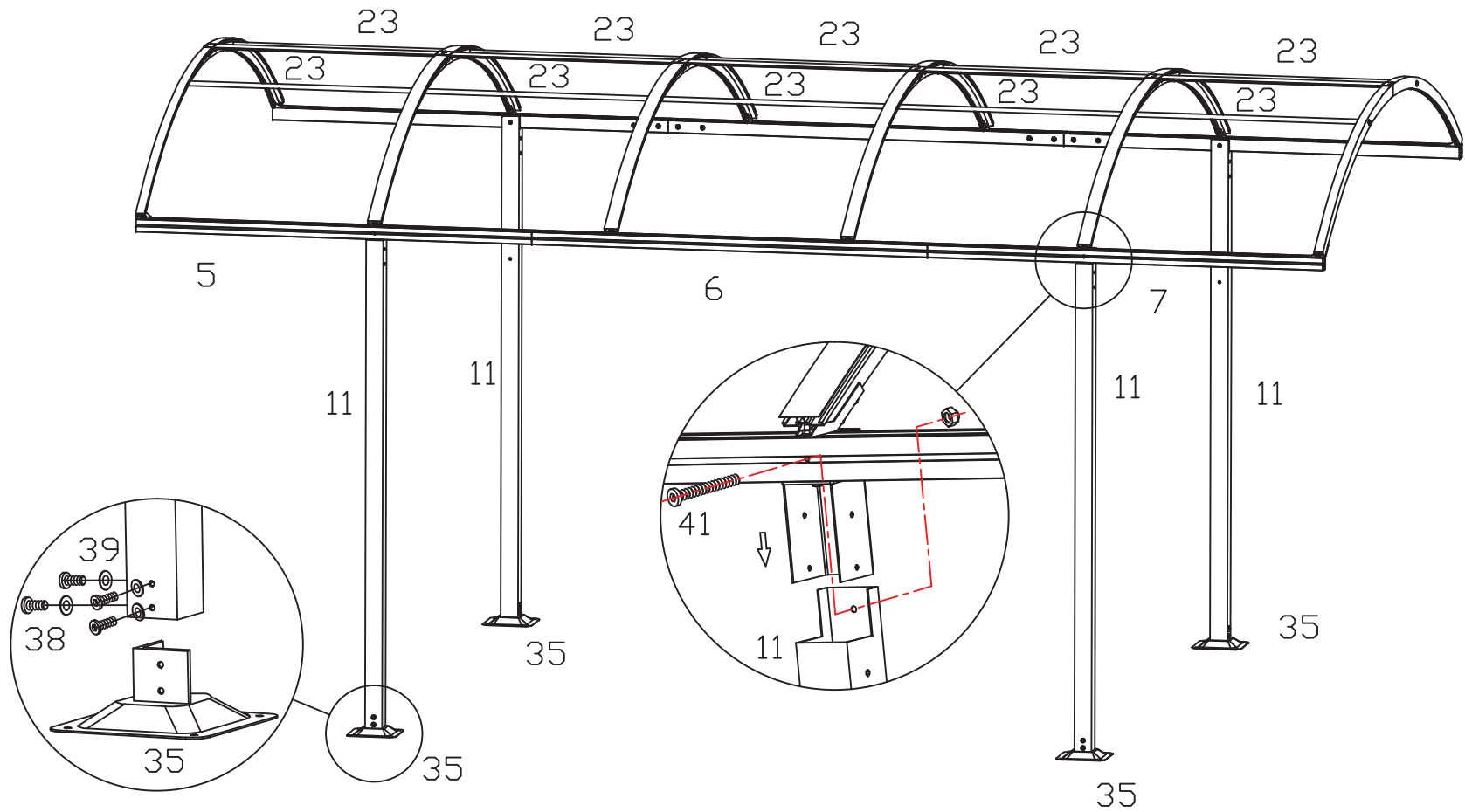
38		8x
39		20x
40		8x
44		8x
46		8x
47		4x
48		12x



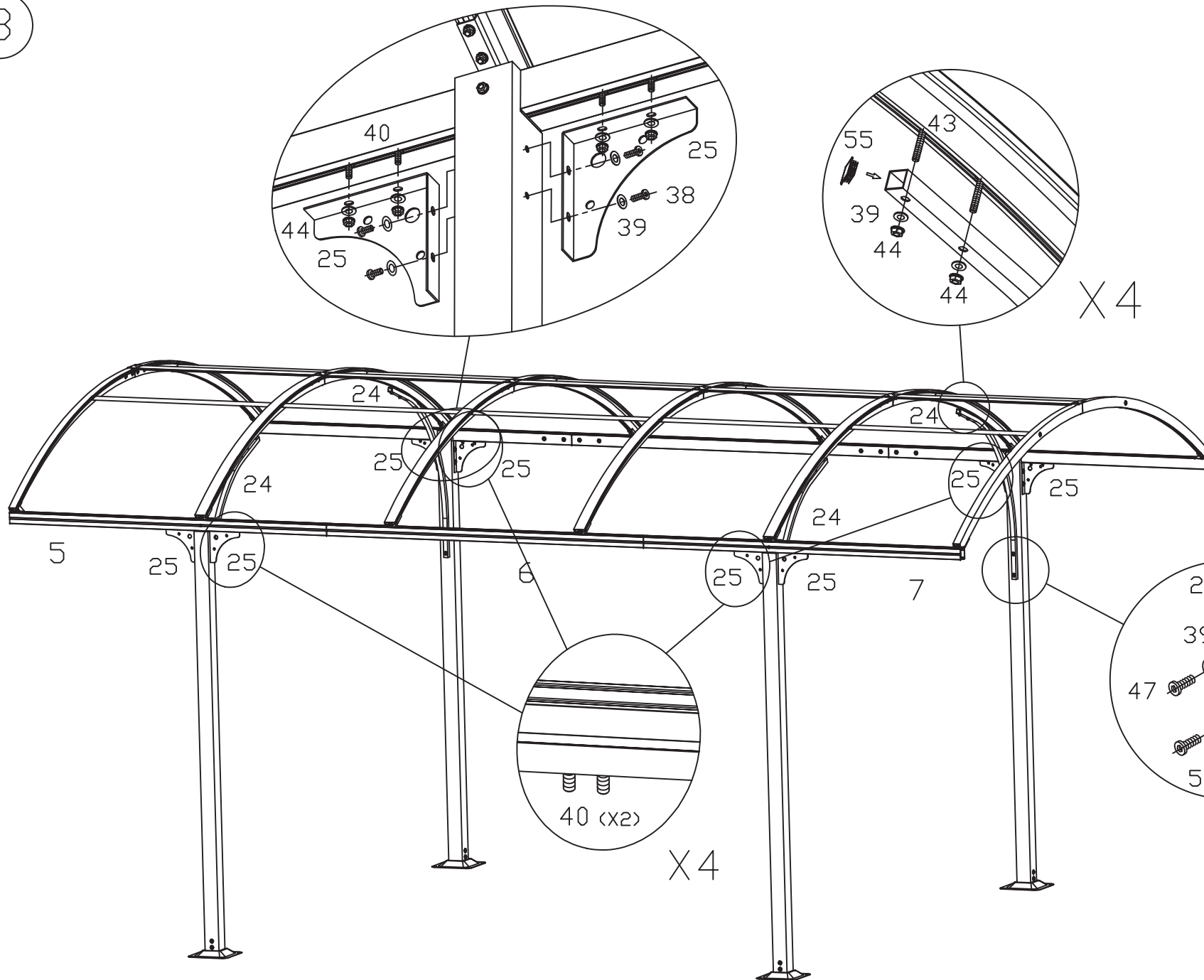
Make sure #29(#30) and #2A(2B) are fixed properly

7

38		16x
39		16x
41		4x

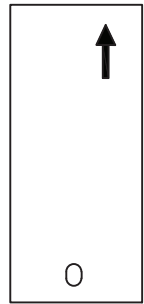


8

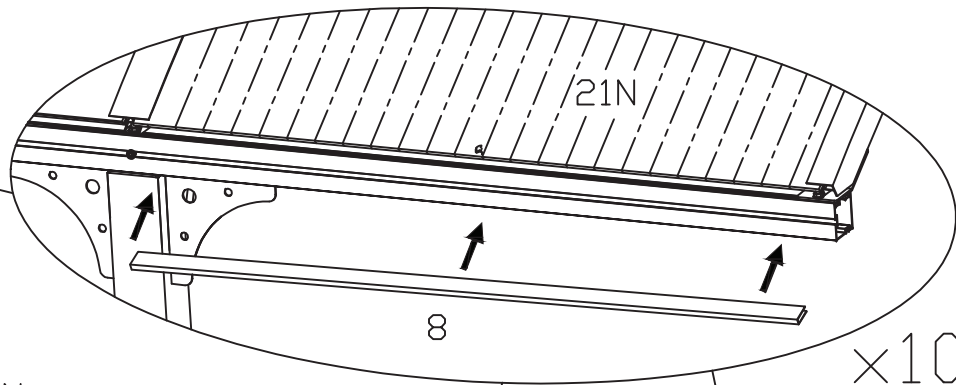
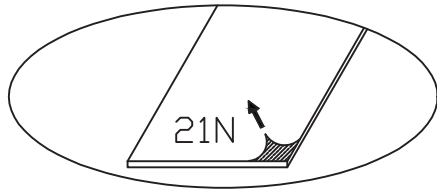


38		16x
39		48x
40		8x
40		8x pre-assembled
43		8x pre-assembled
44		24x
47		8x

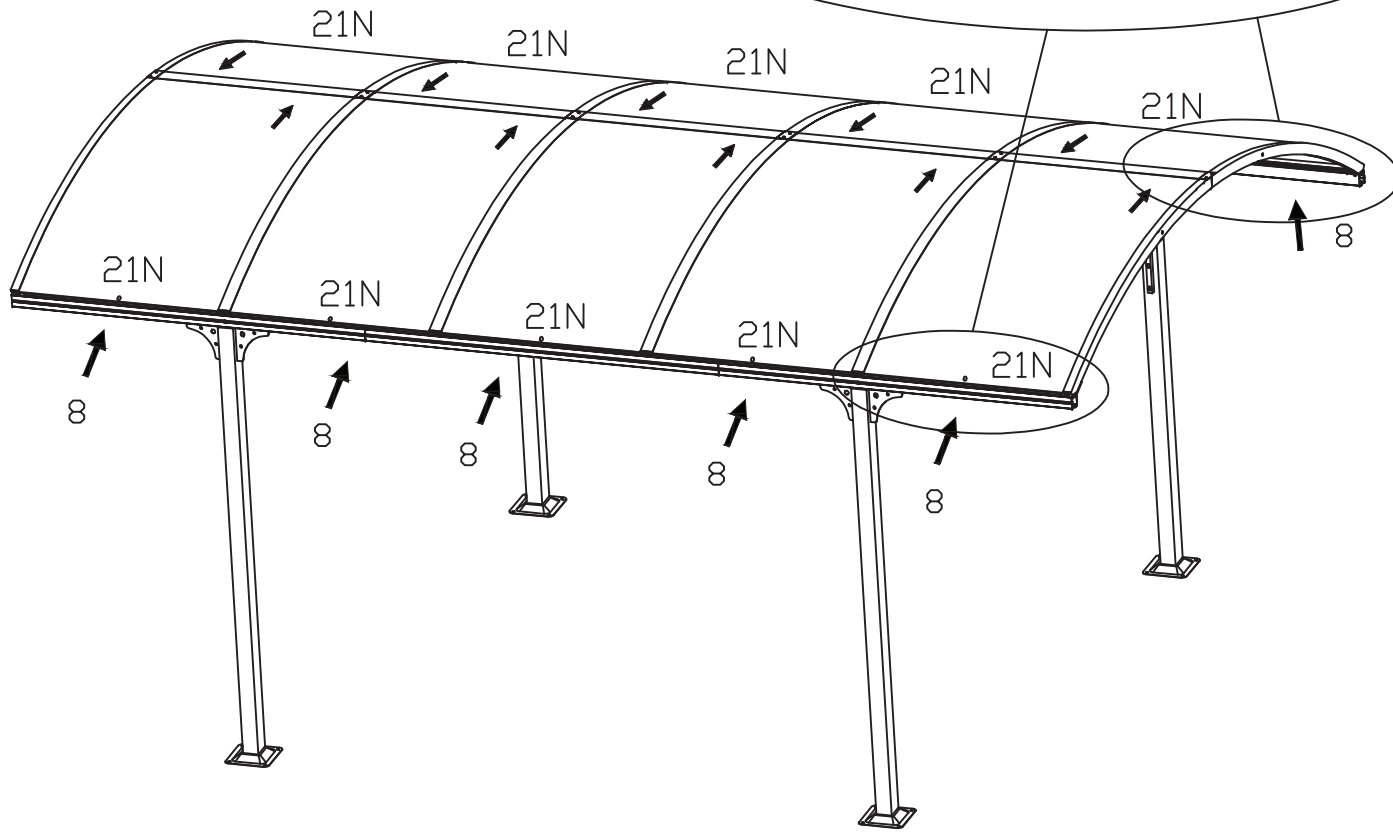
9



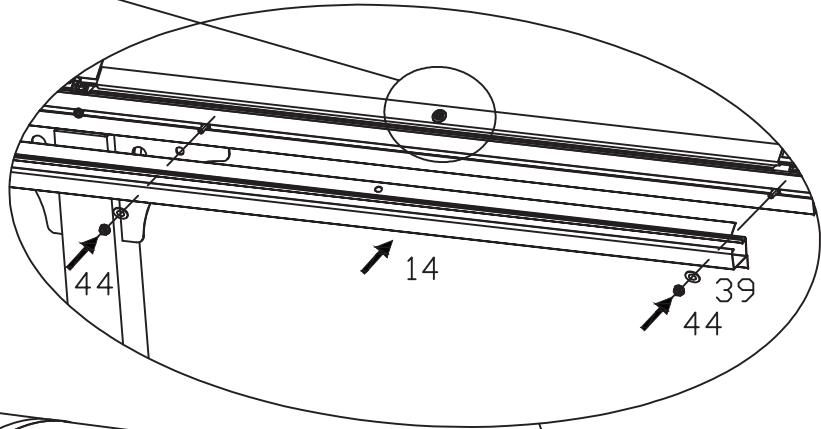
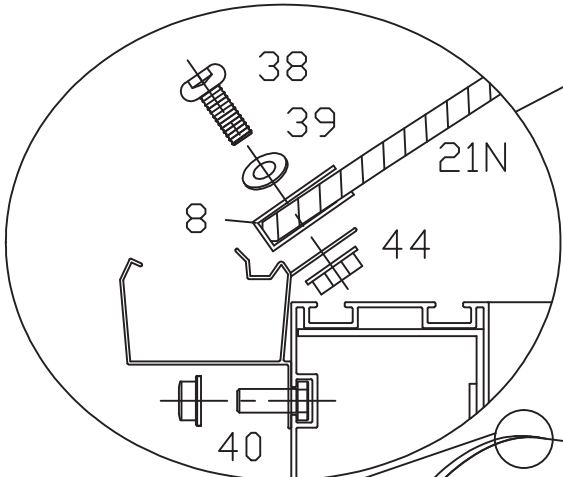
×10








×10

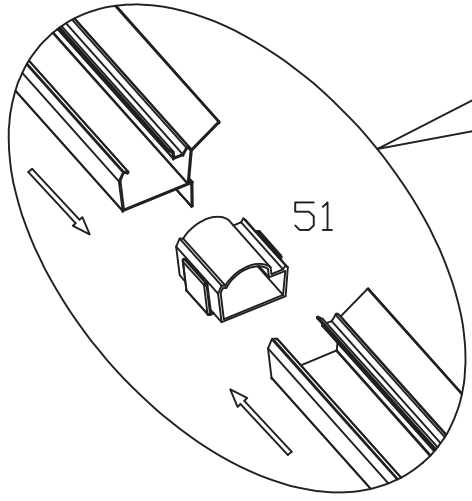
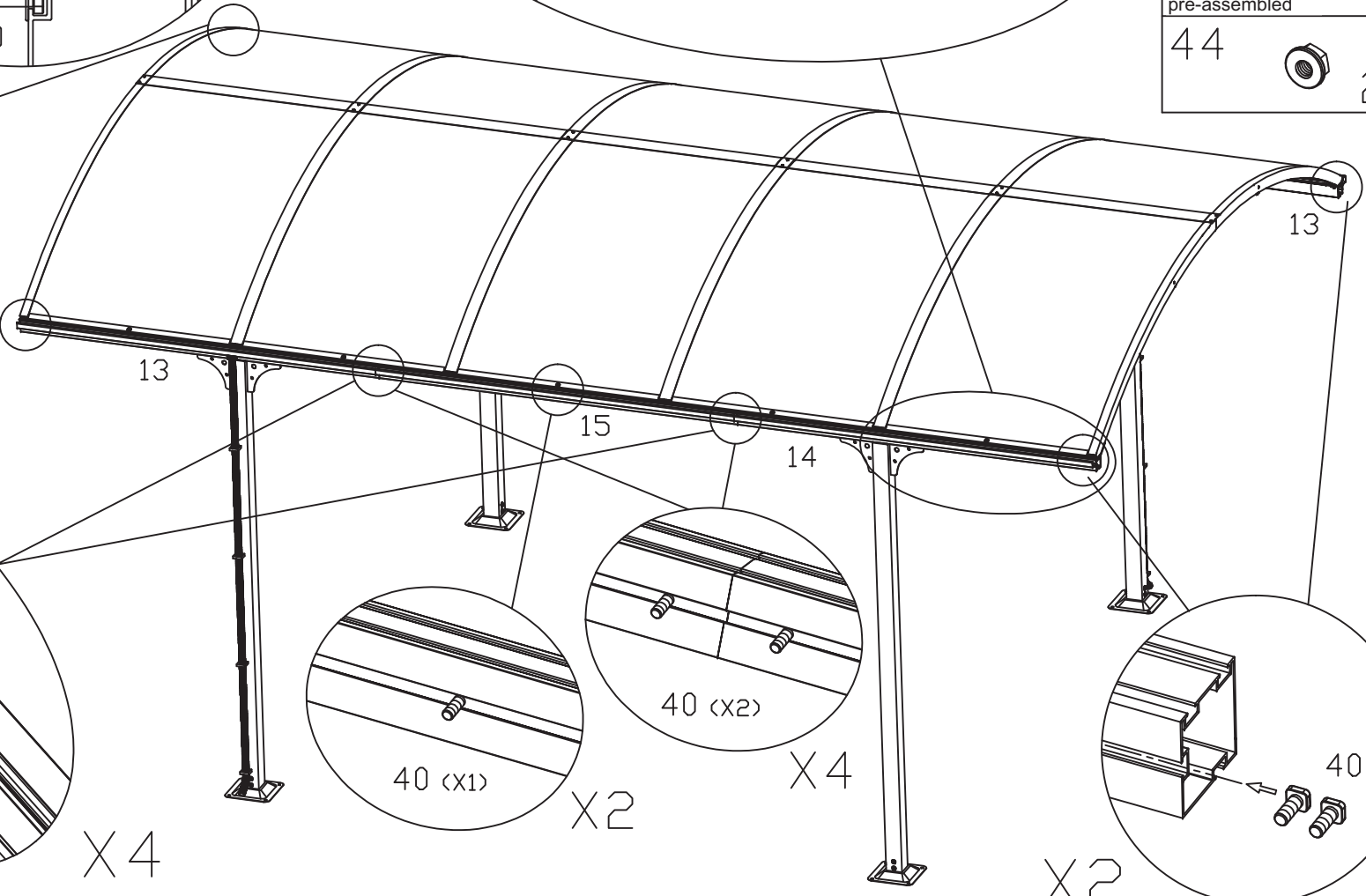
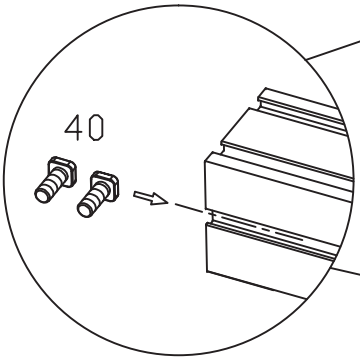


10

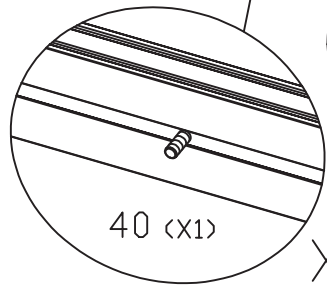


38		10x
39		28x
40		8x
40		10x
pre-assembled		
44		28x

X2

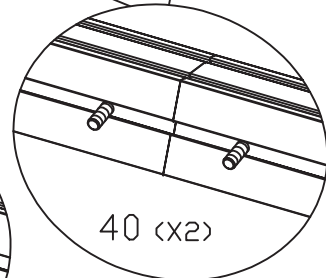


X4



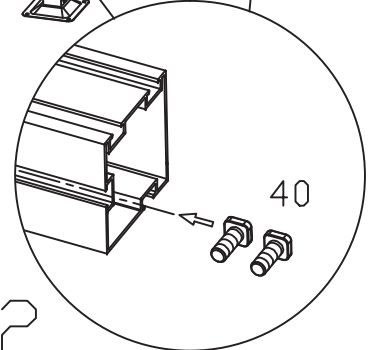
40 (x1)

X2




40 (x2)

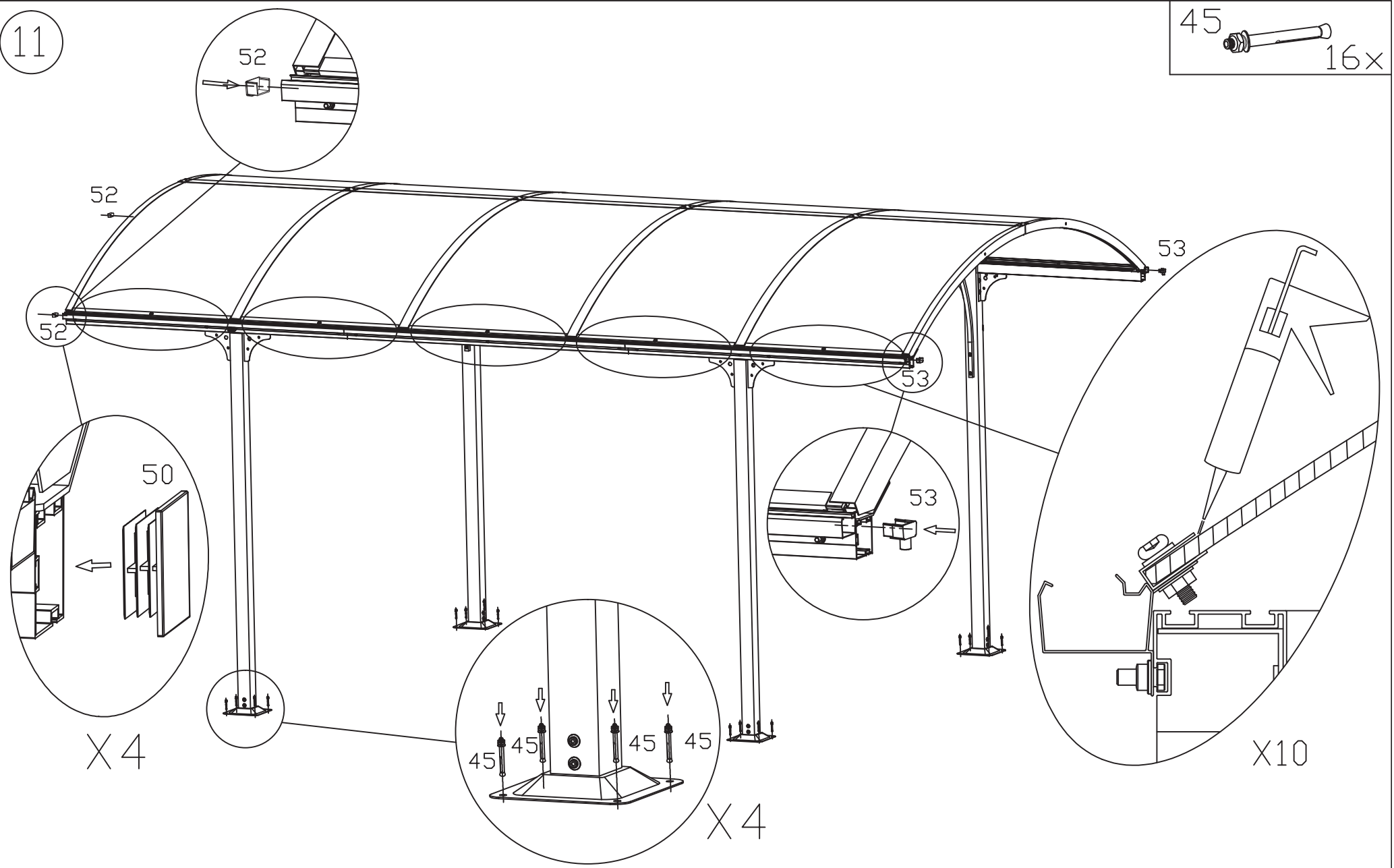
X4



X2

11

45  16x



Recommendation: Silicone may be applied to the edge of the PC sheet as shown.