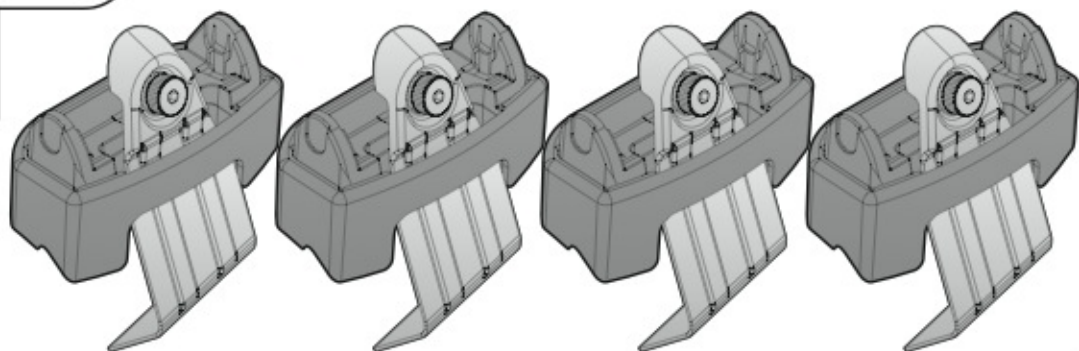


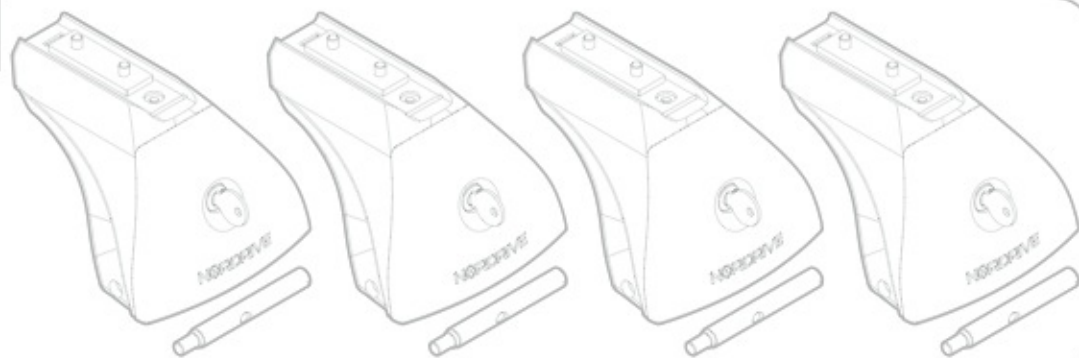
Art.
N21105



C

+

Art. **N20001**



B

+

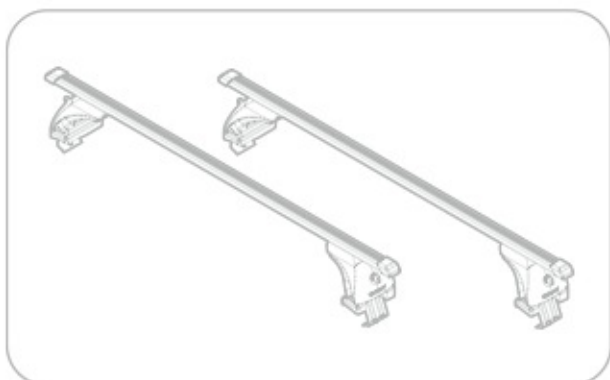
Art. **N15020**



A

ACCIAIO
Steel

=



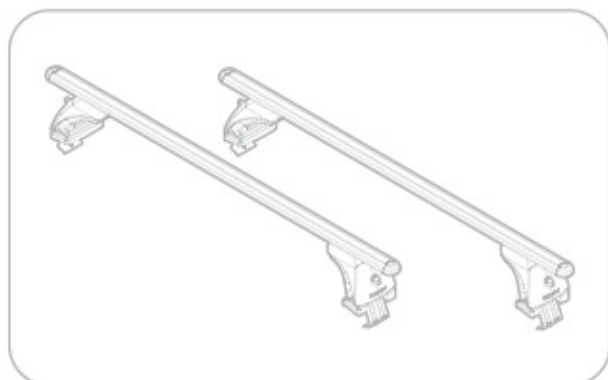
Art. **N15025**

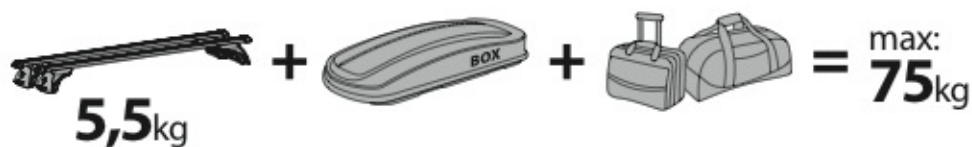


A

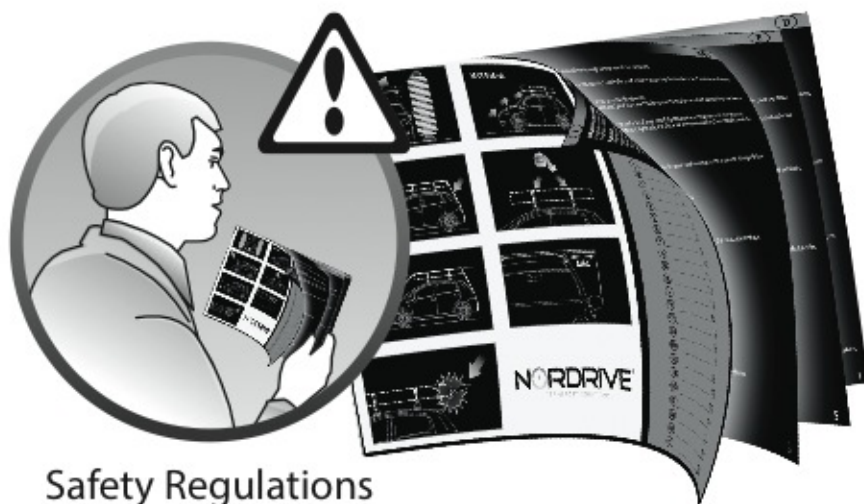
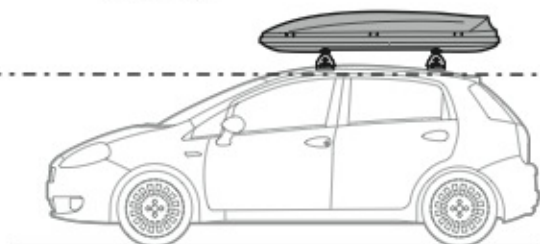
ALLUMINIO
Aluminium

=

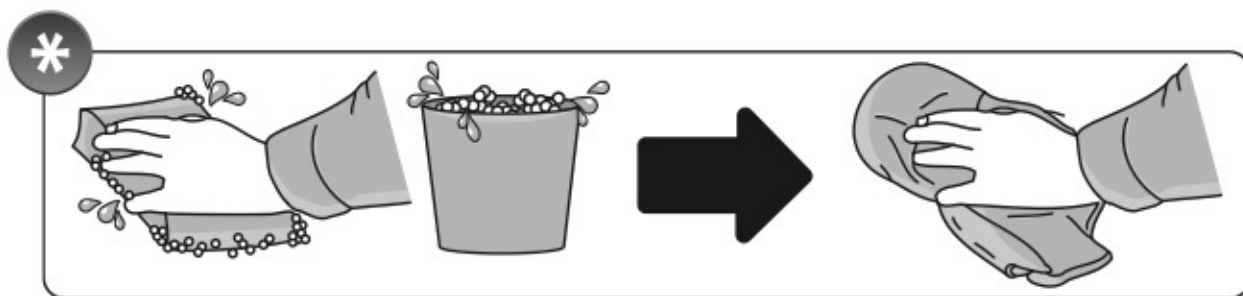
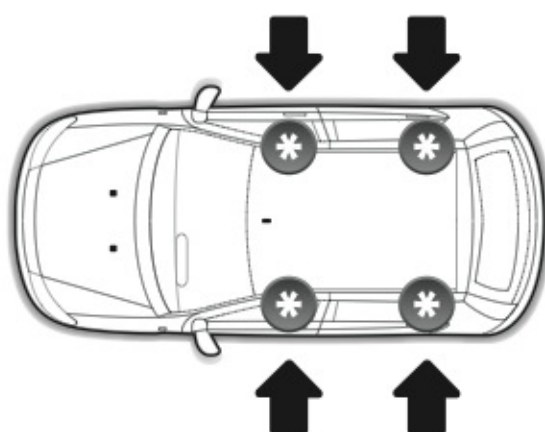




max: ???kg



Safety Regulations

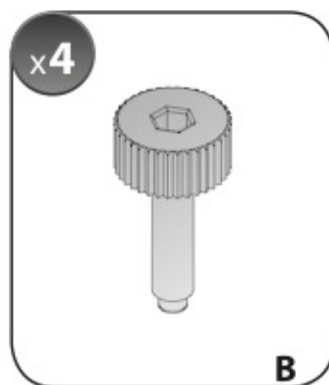
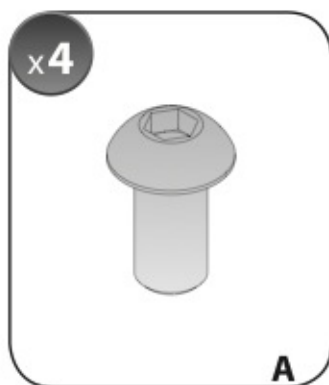
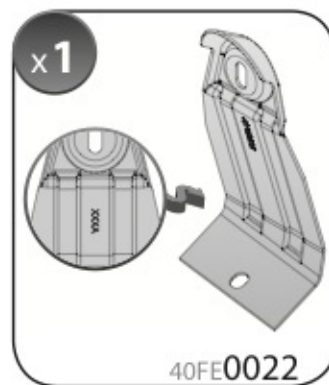
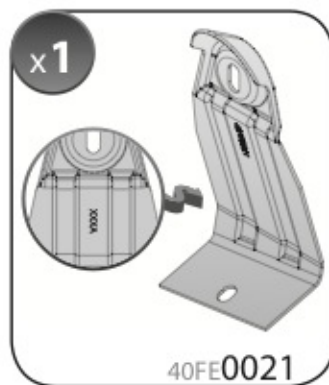
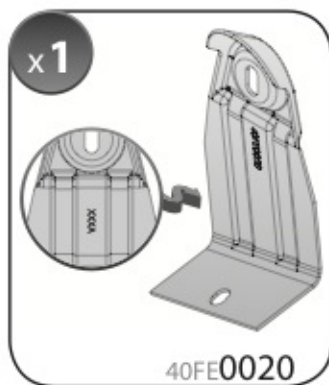
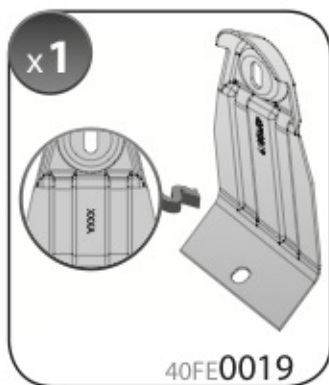
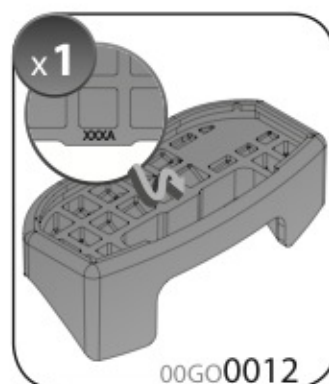
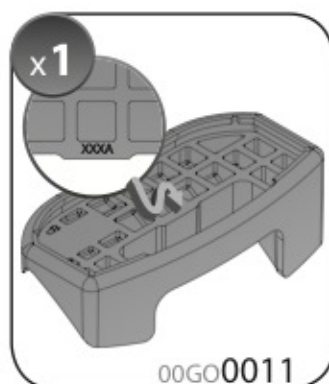
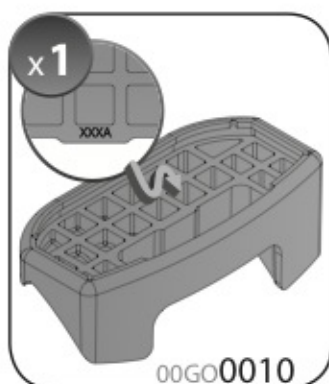
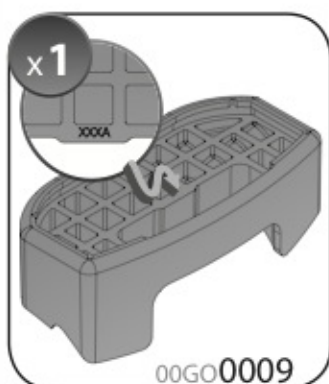
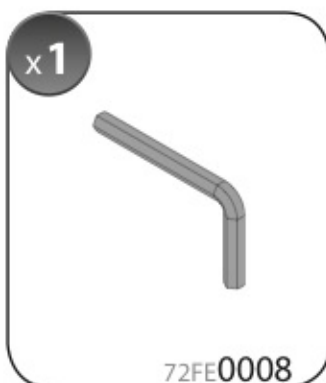


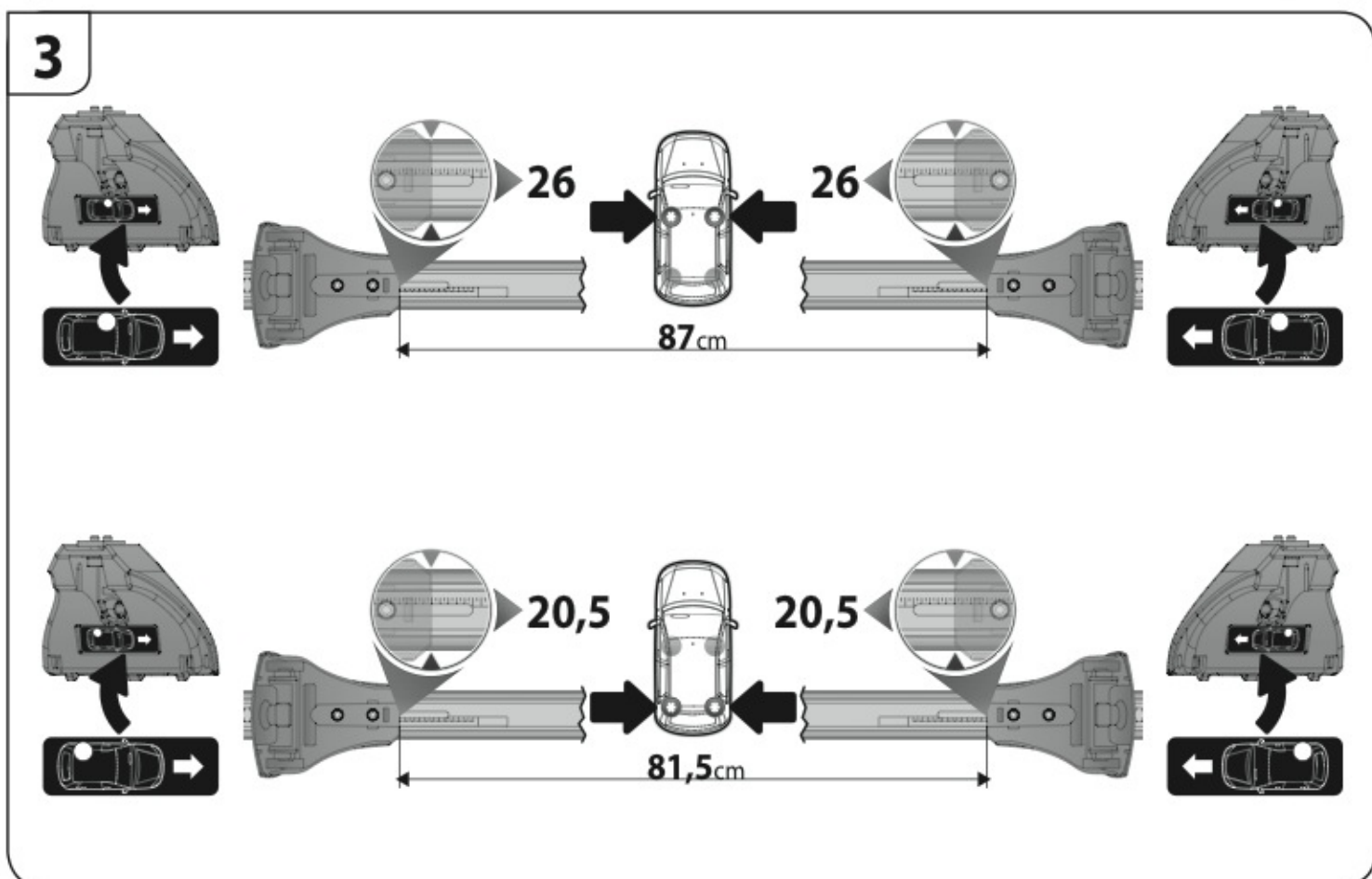
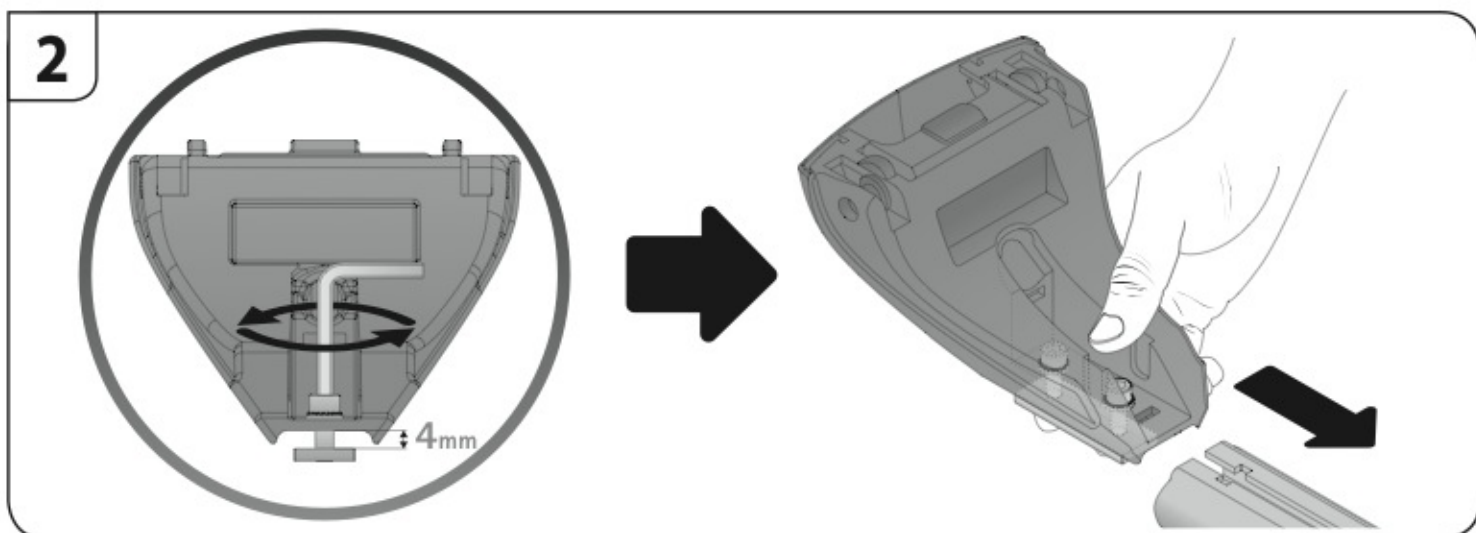
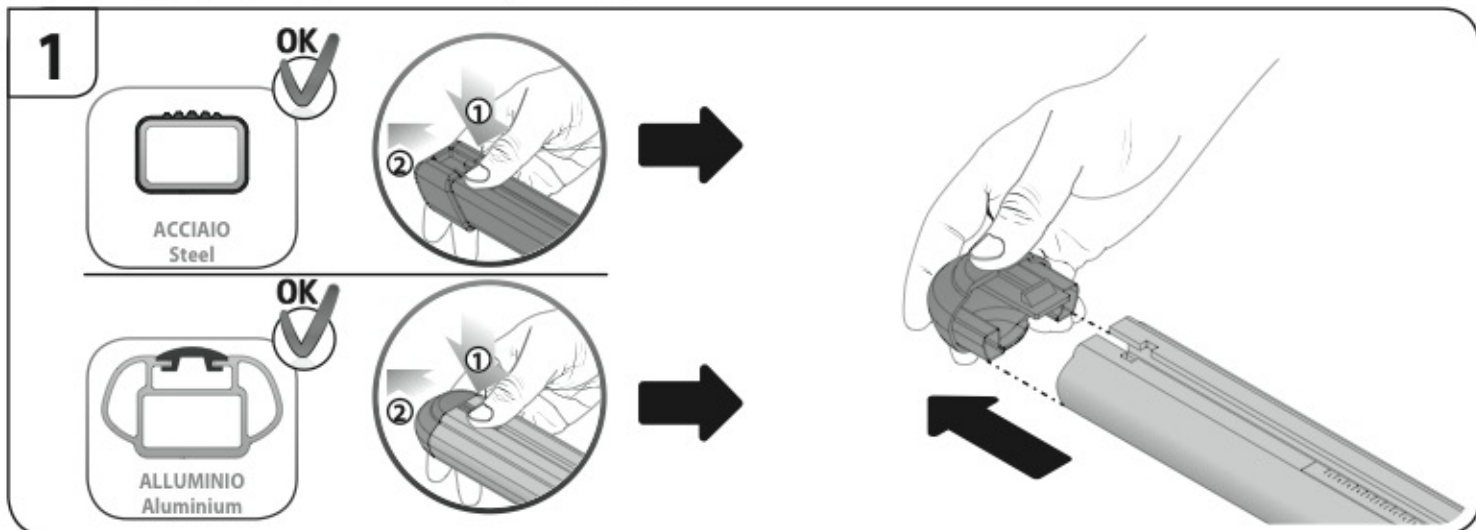


LANCIA YPSILON

6/11 →

Art. **N21105**





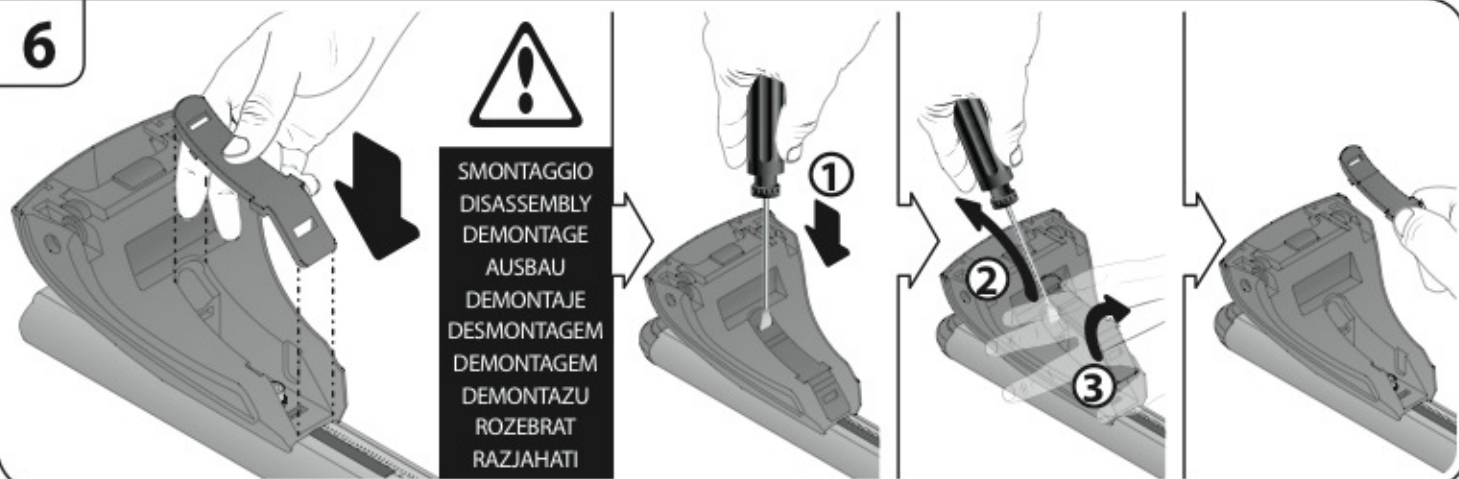
4



5

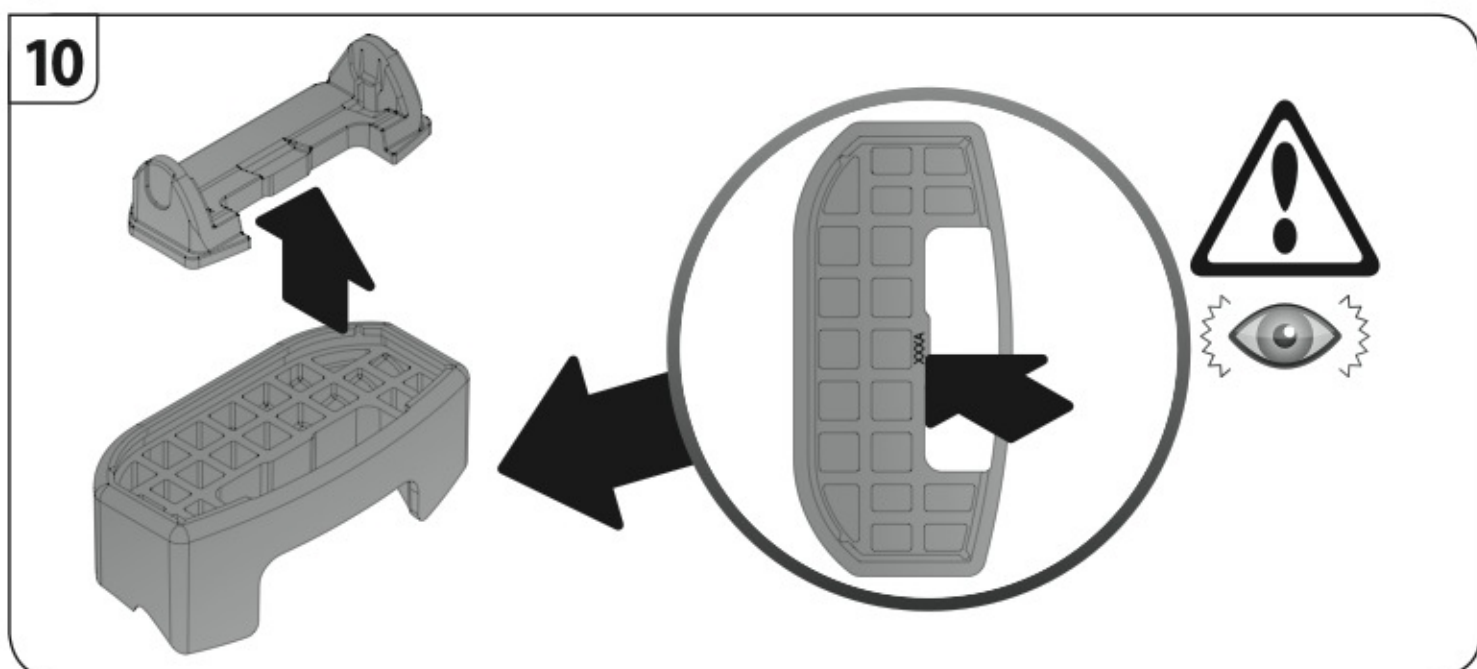
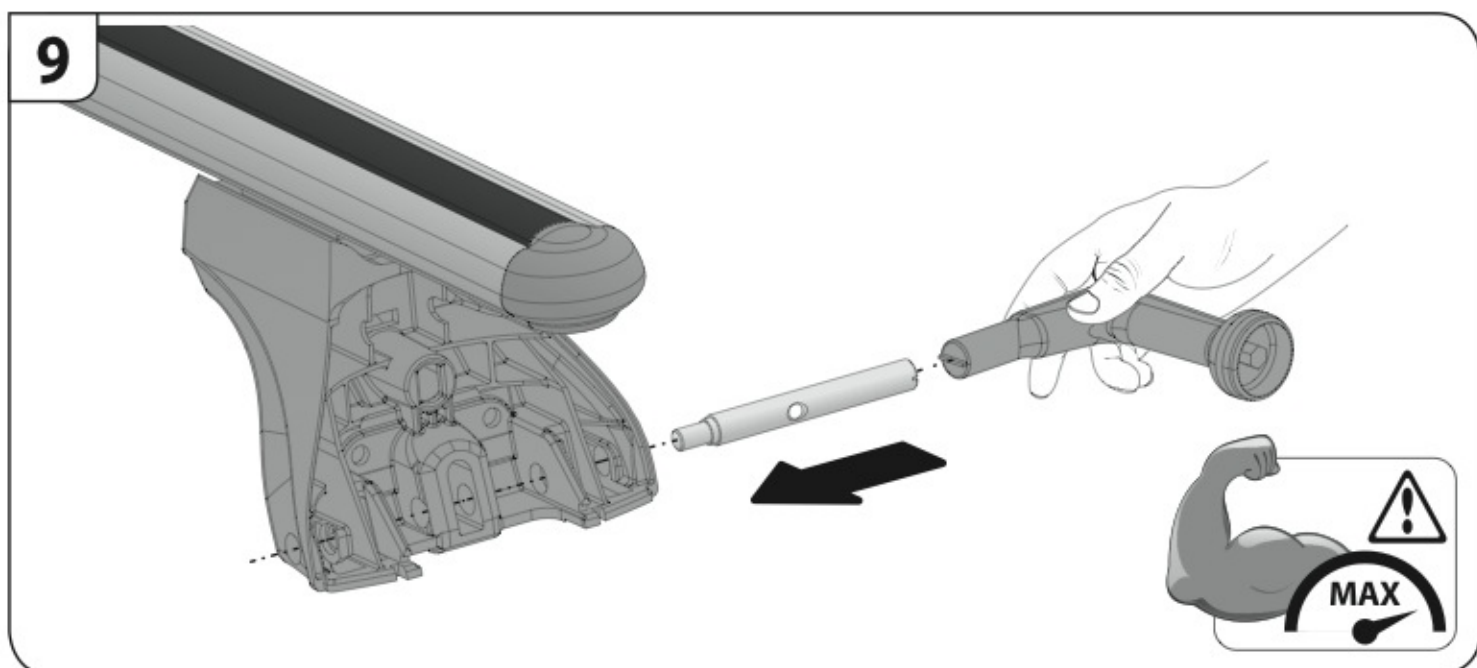
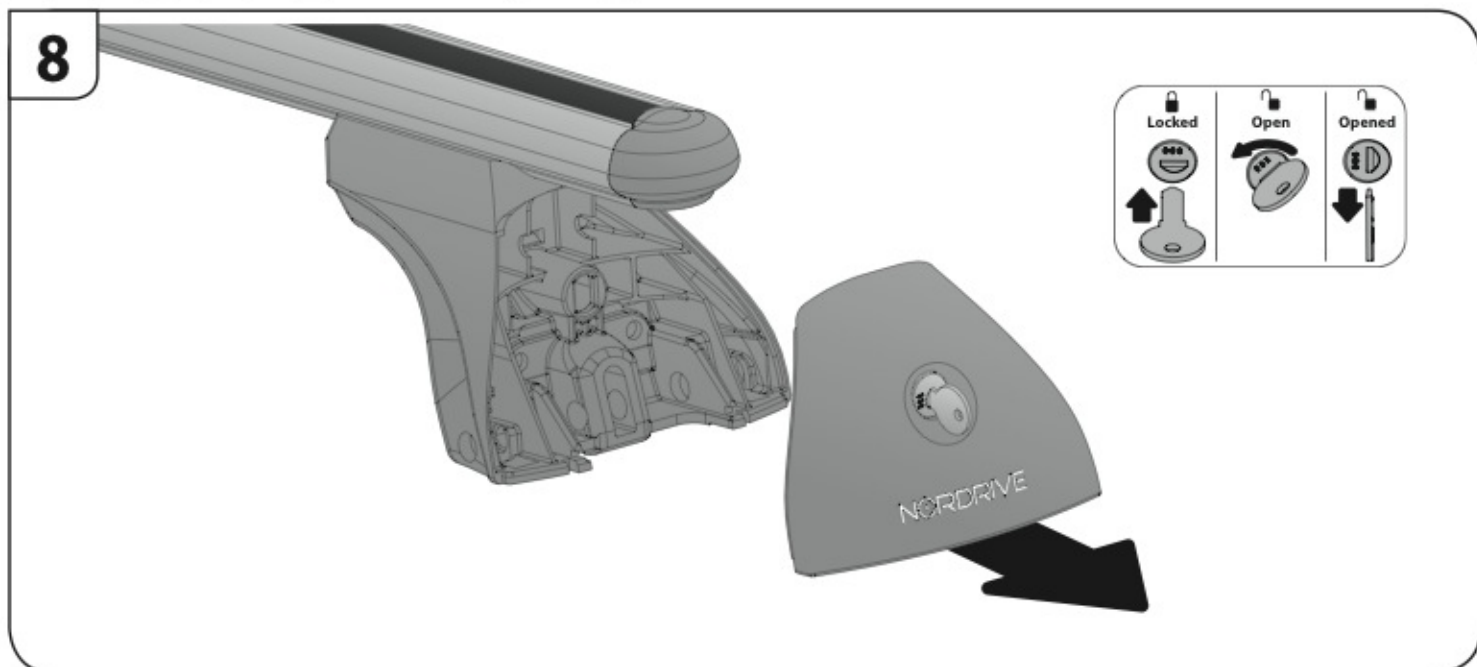


6

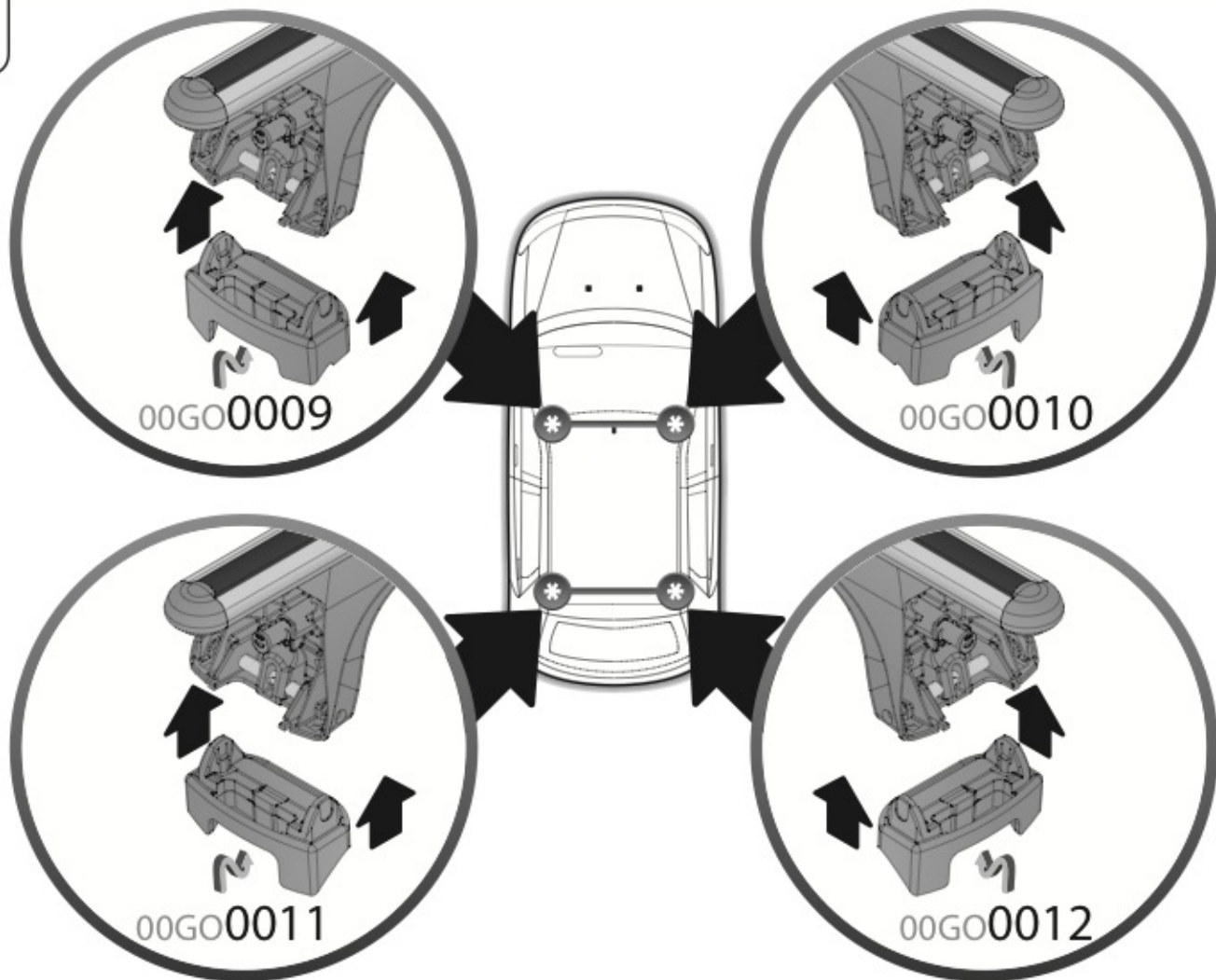


7

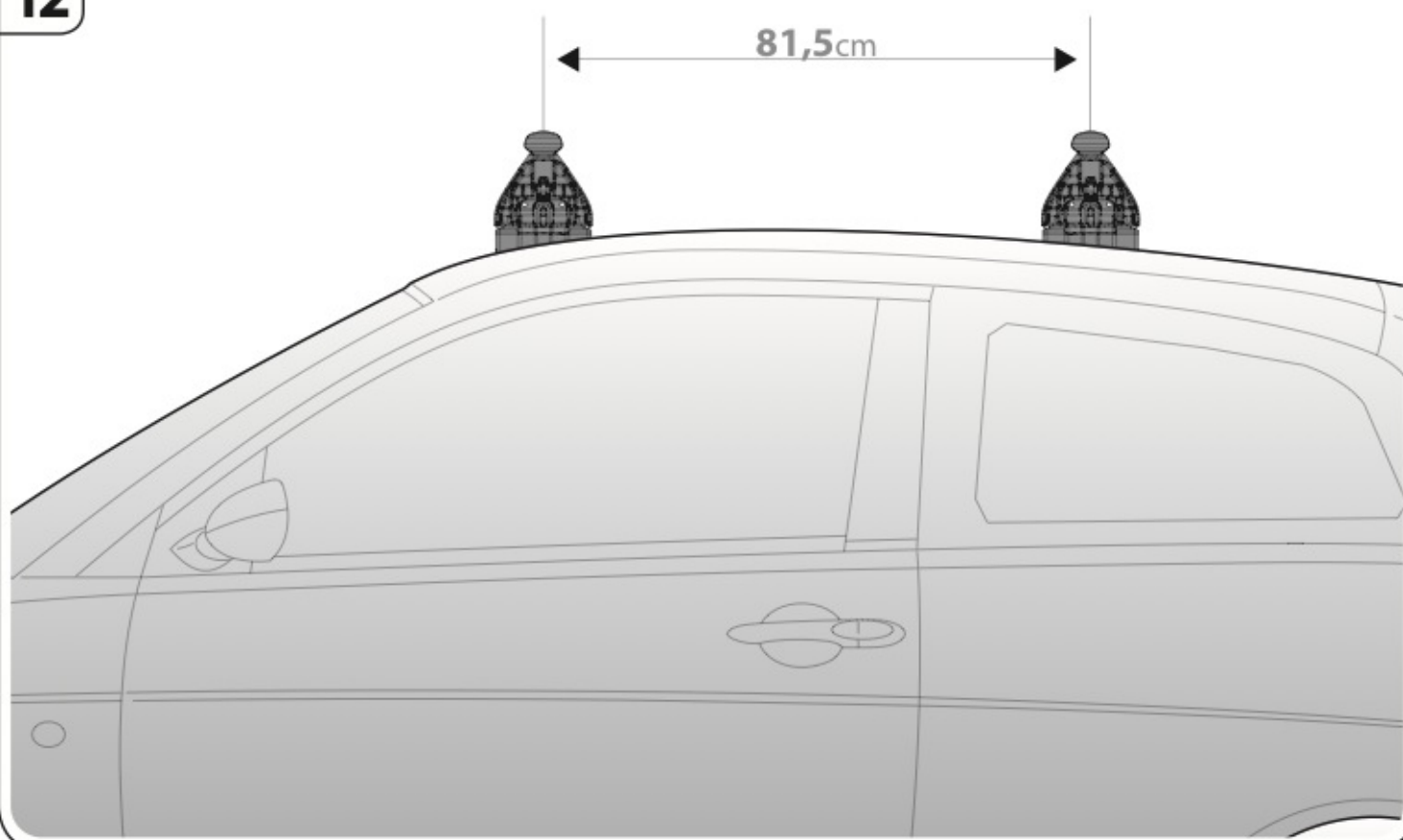




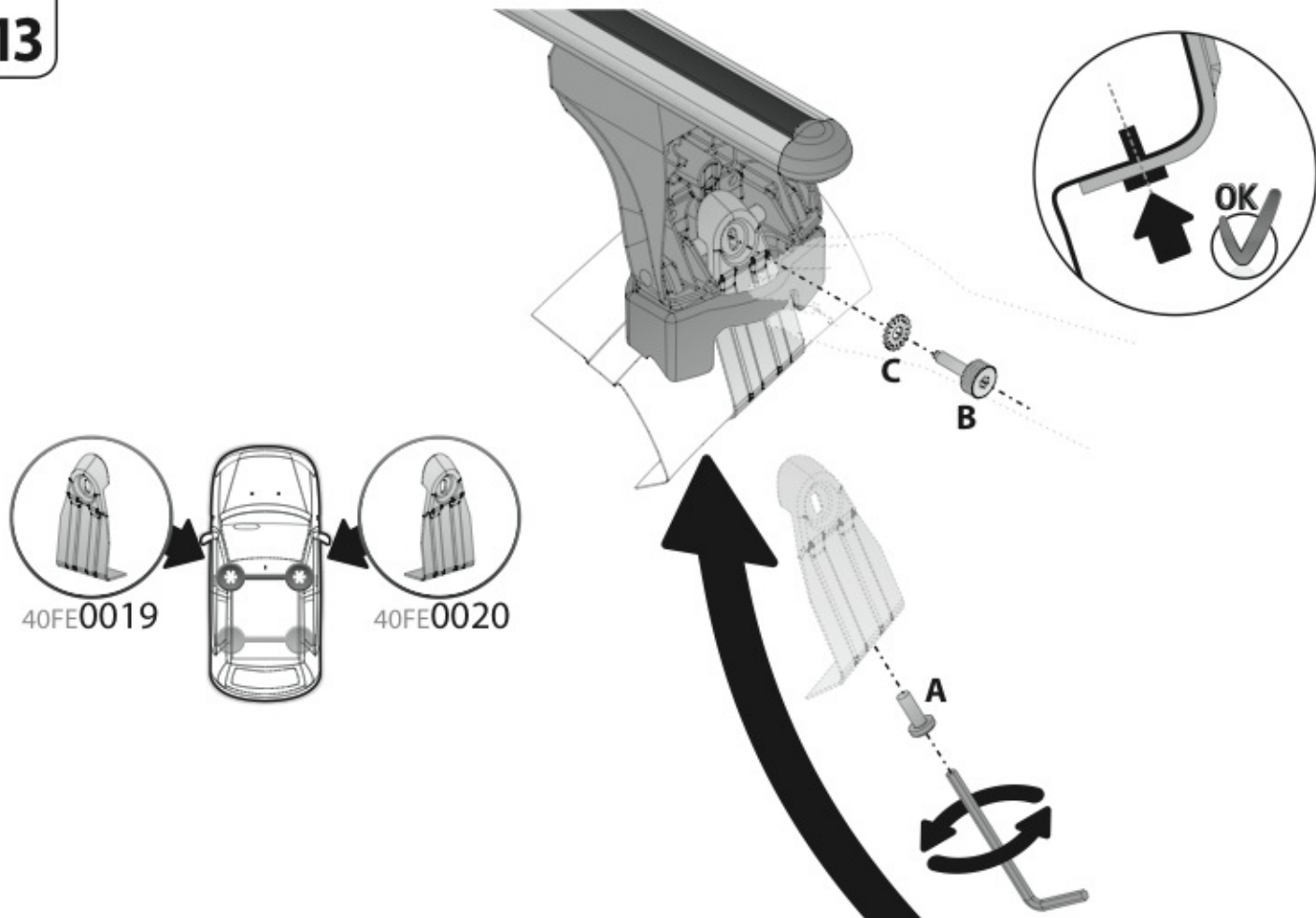
11



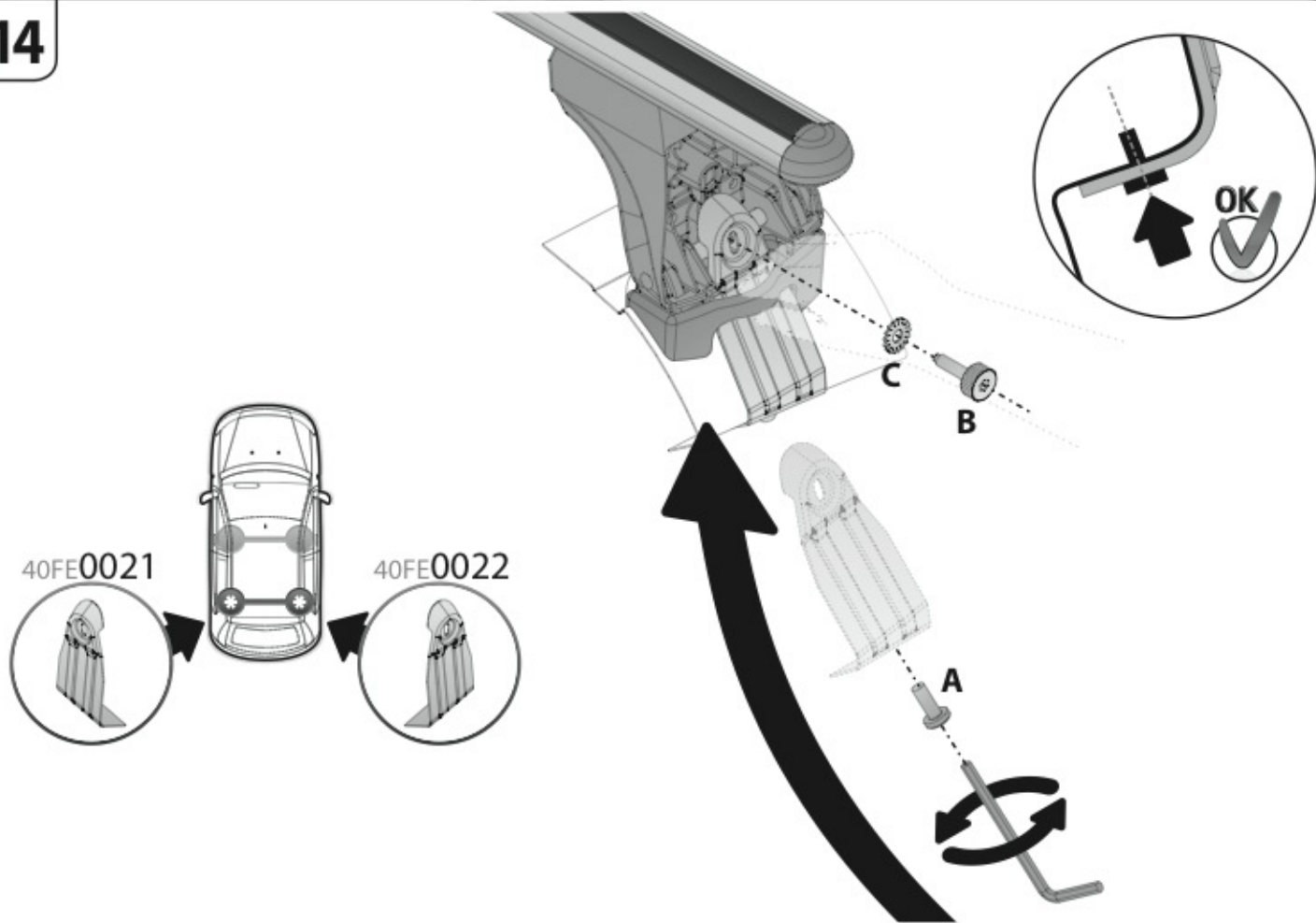
12



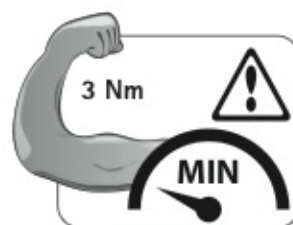
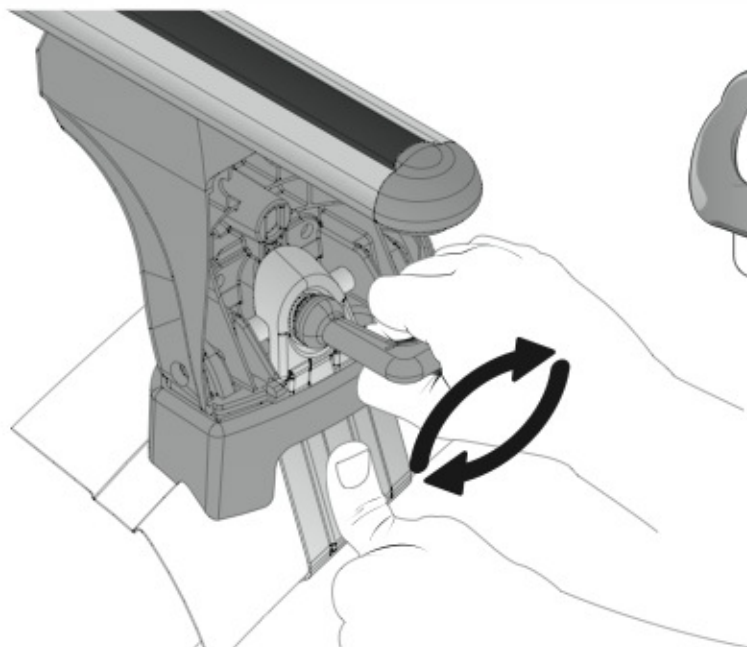
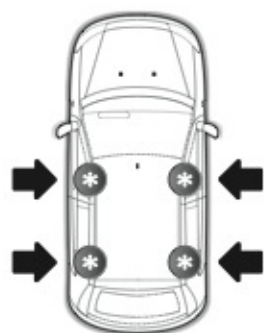
13



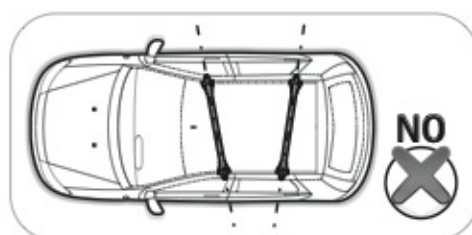
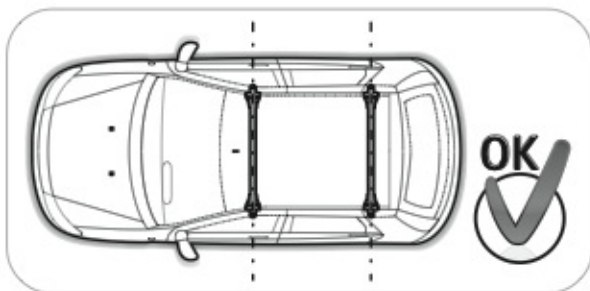
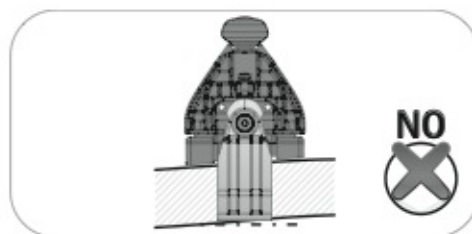
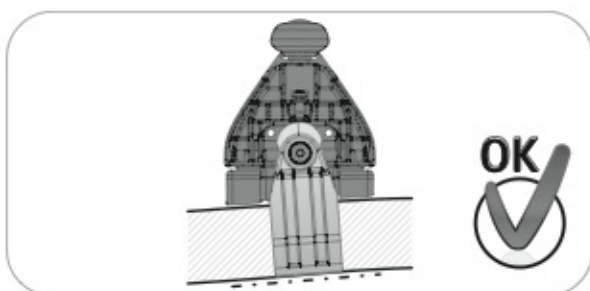
14



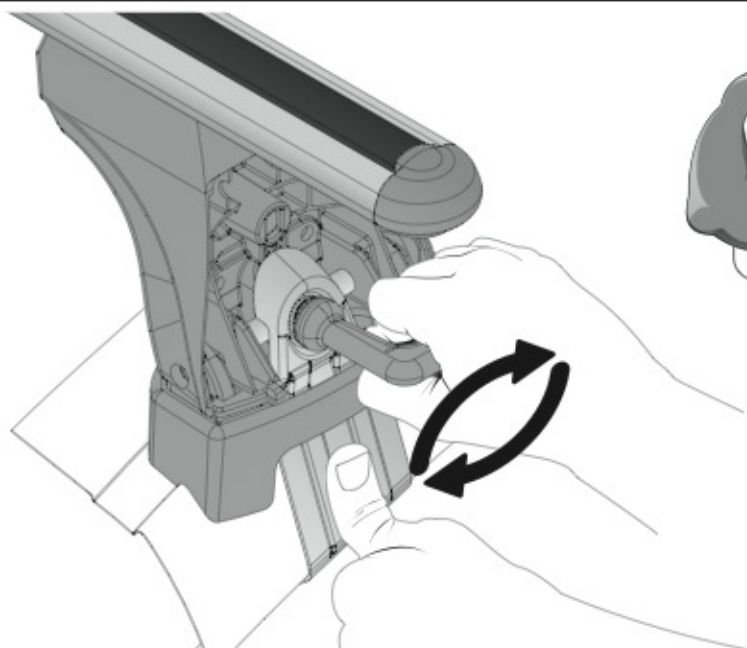
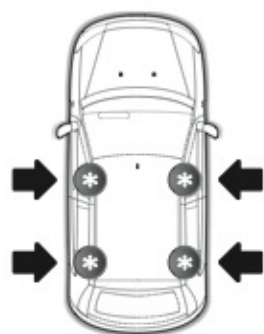
15



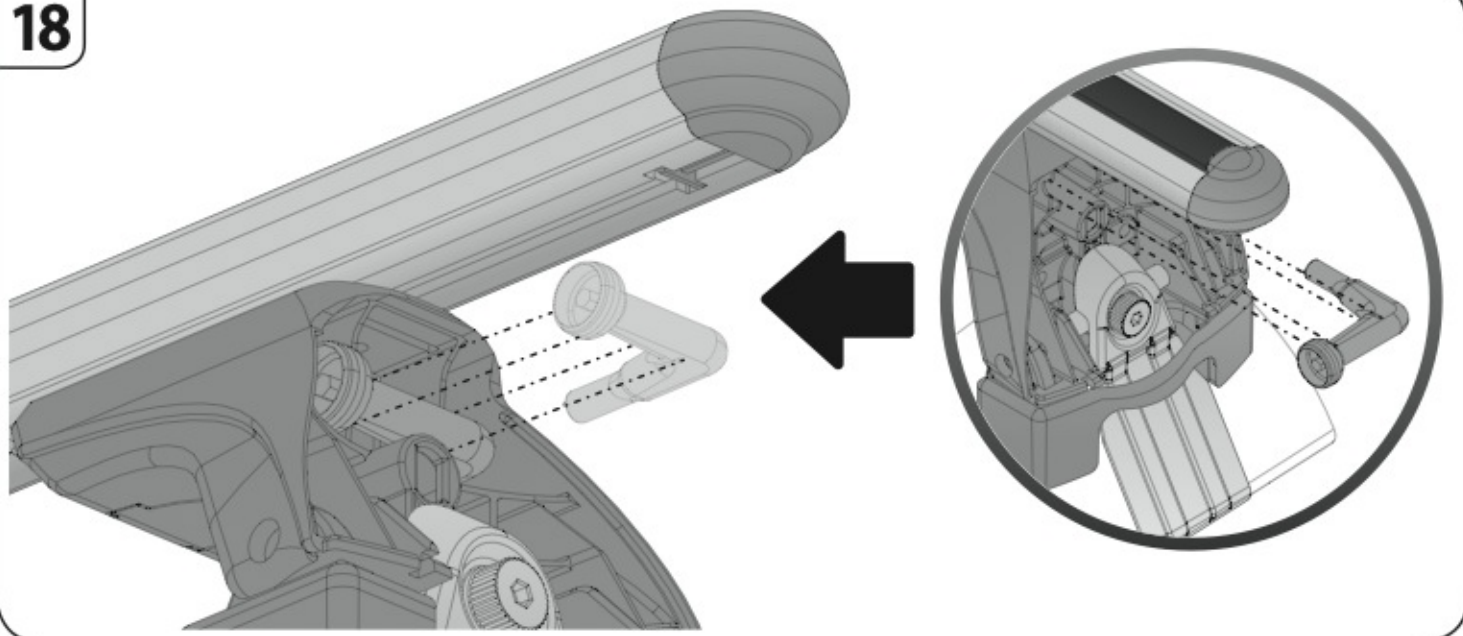
16



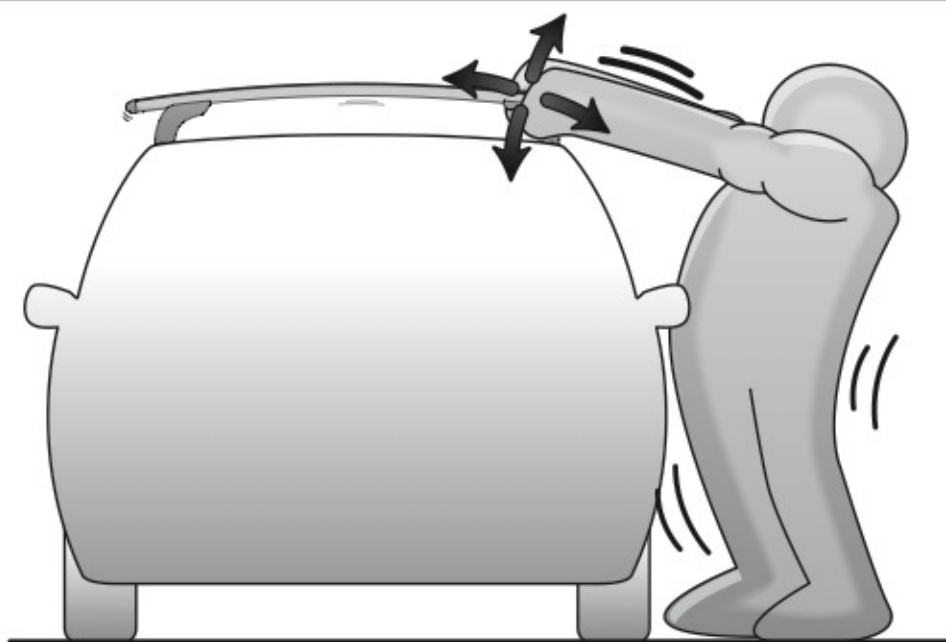
17



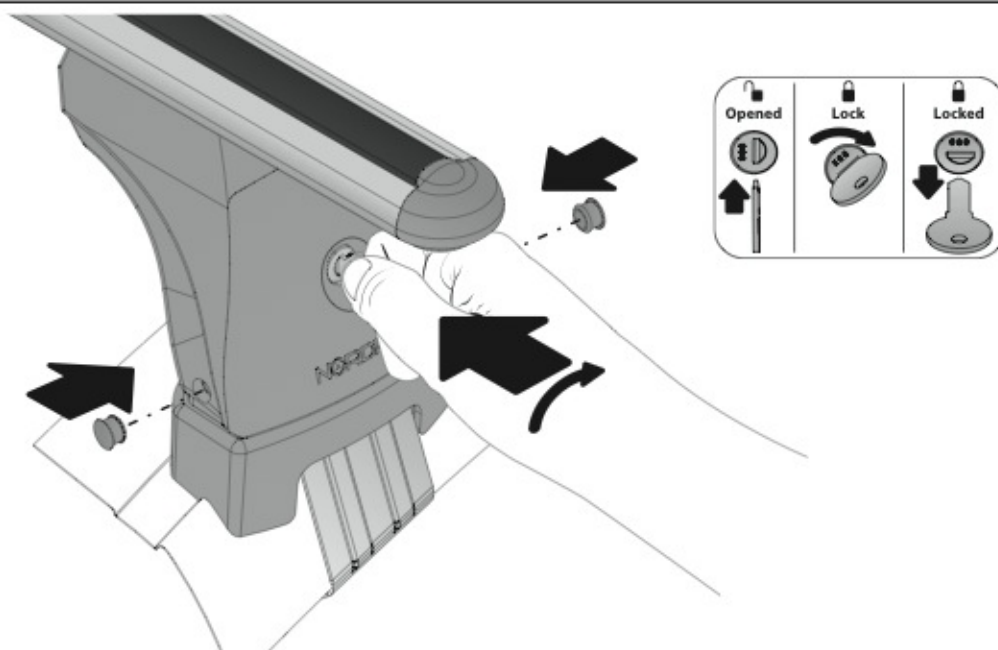
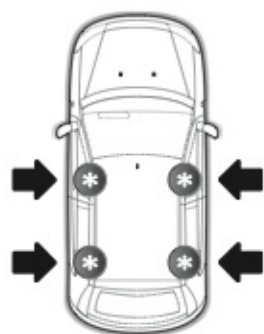
18



19



20



EVOS

EVOLUZIONE ZERO SYSTEM

NORDRIVE[®]
TRANSPORT SOLUTIONS

is a registered trade mark of

LAMPA S.p.A.

46019 Viadana (MN) ITALY

Ditta certificata UNI EN ISO 9001:2008

www.nordrive.it

www.lampa.it