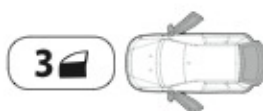
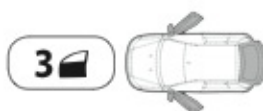


**LANCIA
YPSILON**



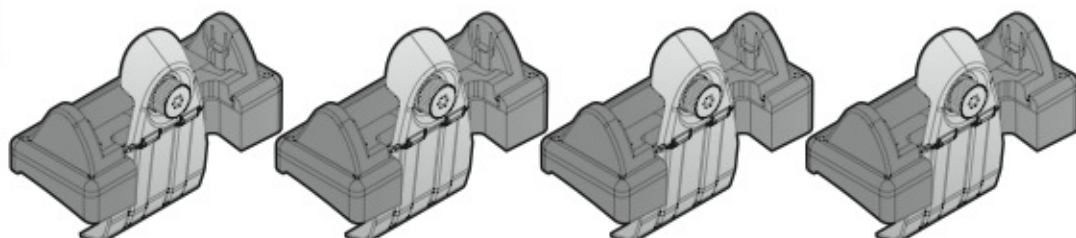
9/03 → 5/11

**LANCIA
YPSILON
UNYCA**



6/11 →

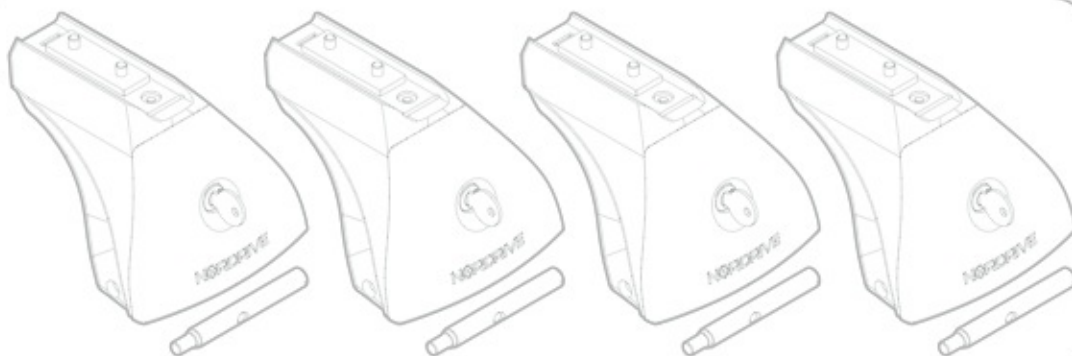
Art.
N21016



C



Art. **N20001**



B

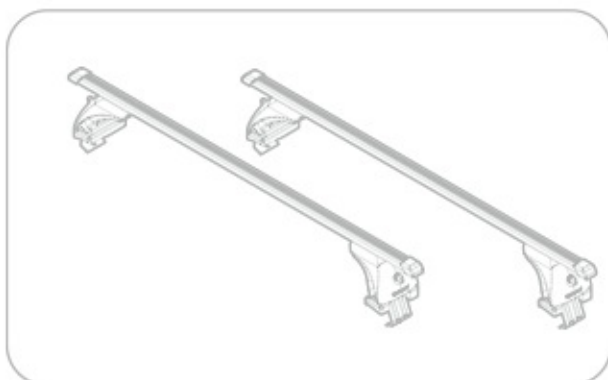


Art. **N15020**



A

**ACCIAIO
Steel**

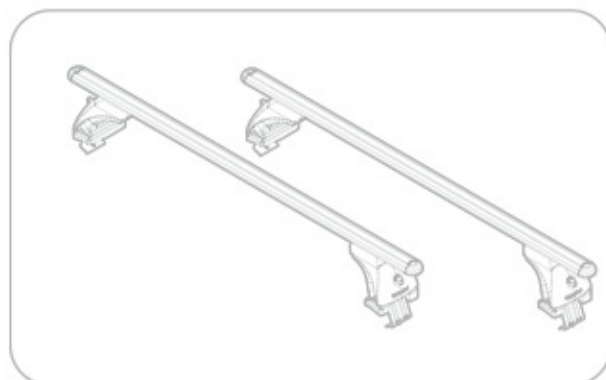


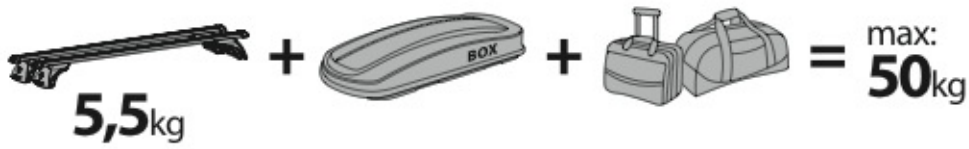
Art. **N15025**



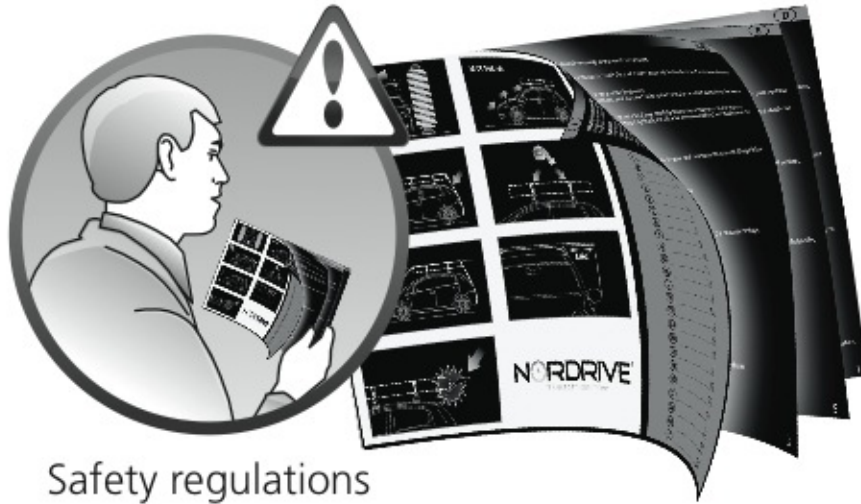
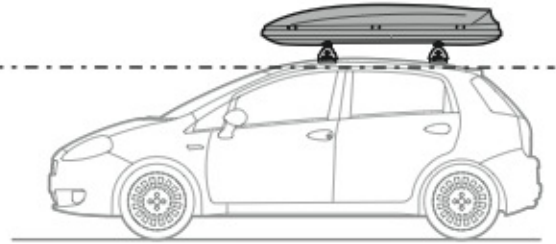
A

**ALLUMINIO
Aluminium**

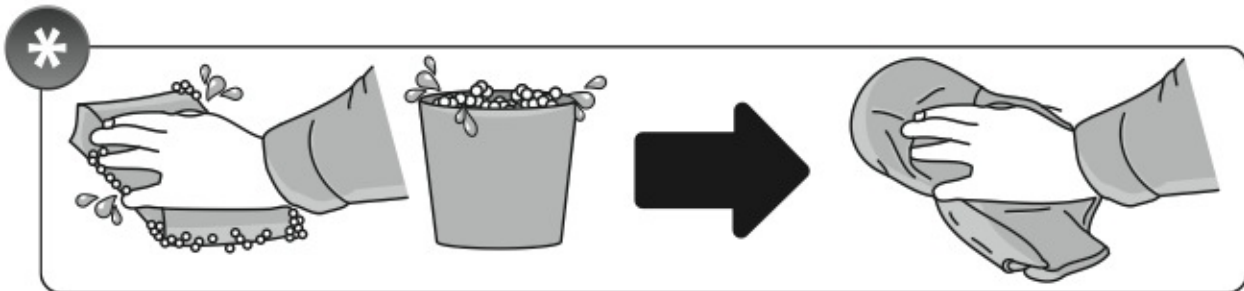
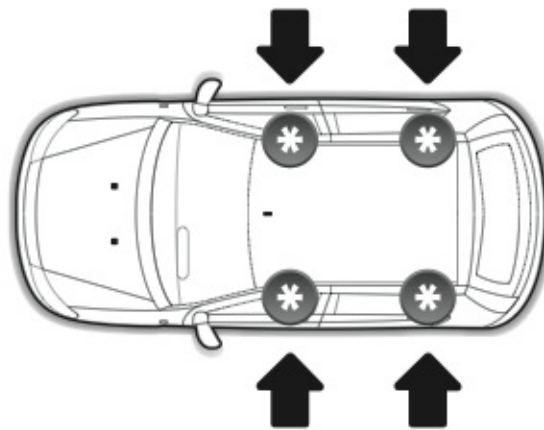




max: ???kg

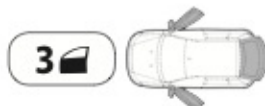


Safety regulations



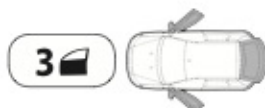


LANCIA
YPSILON



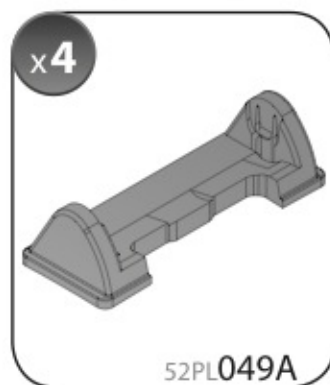
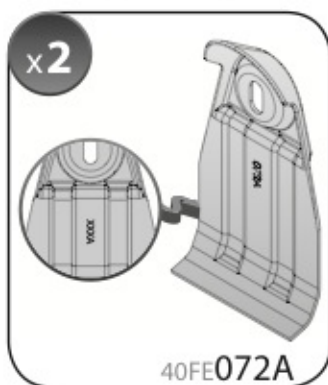
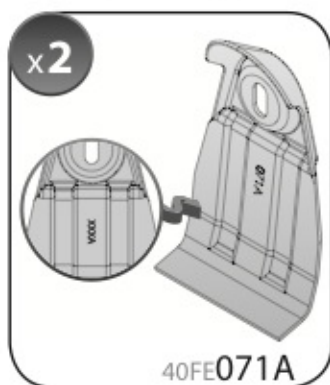
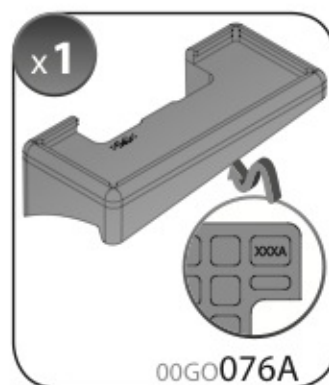
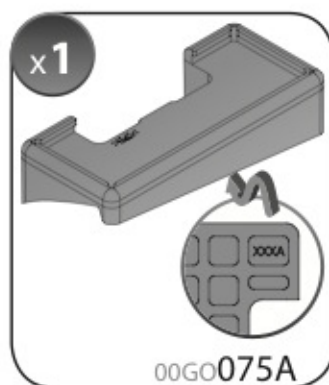
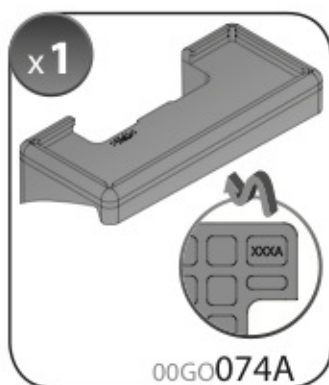
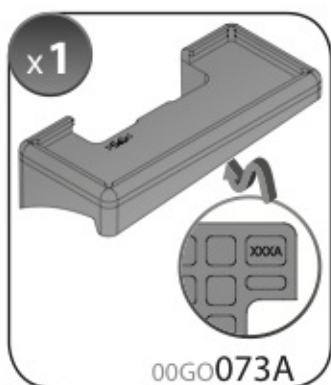
9/03→5/11

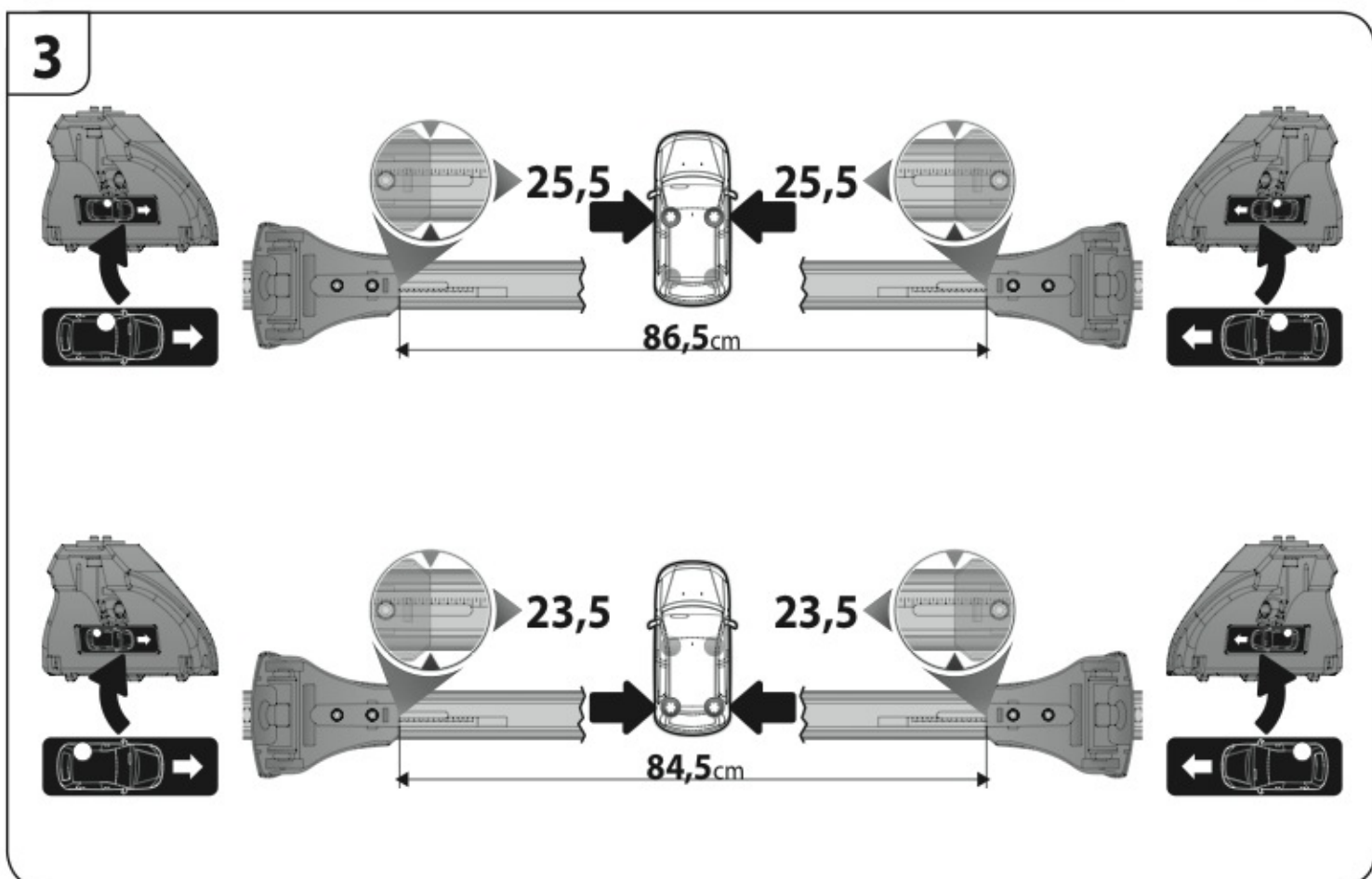
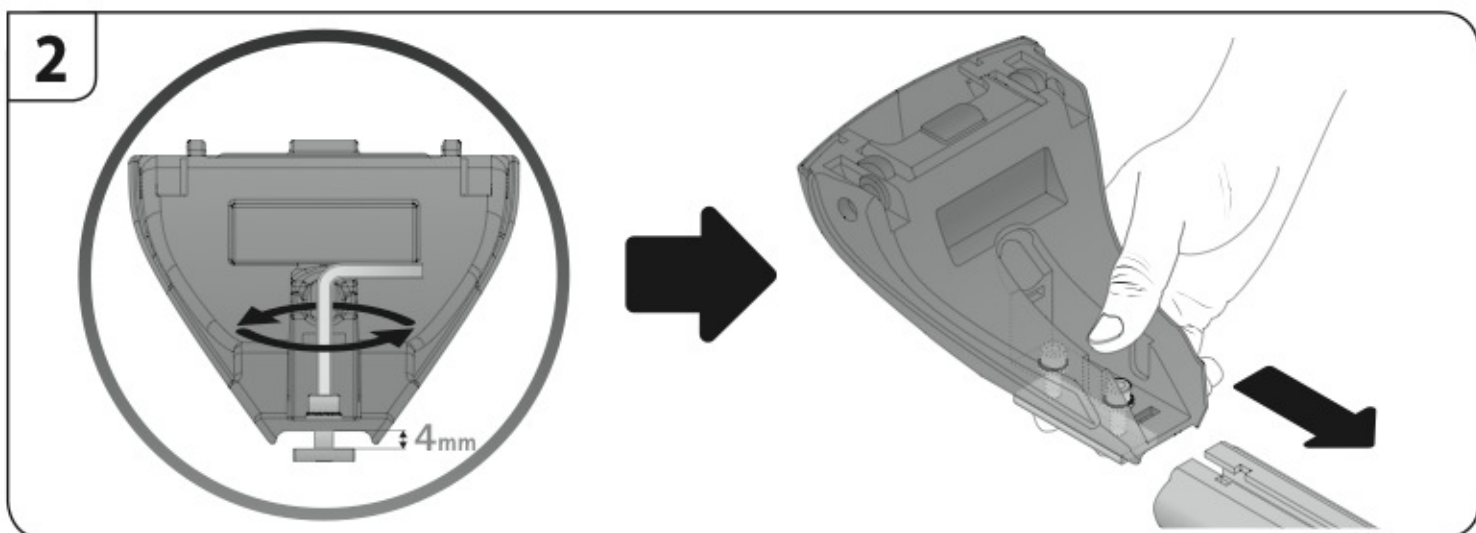
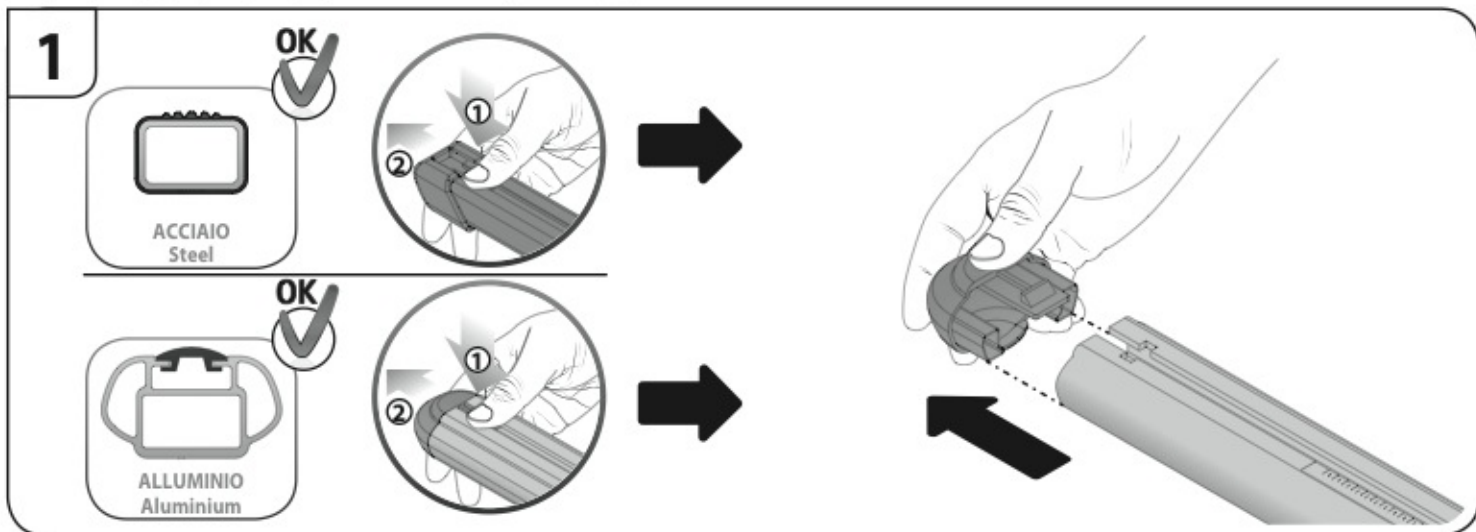
LANCIA
YPSILON
UNYCA



6/11→

Art. **N21016**

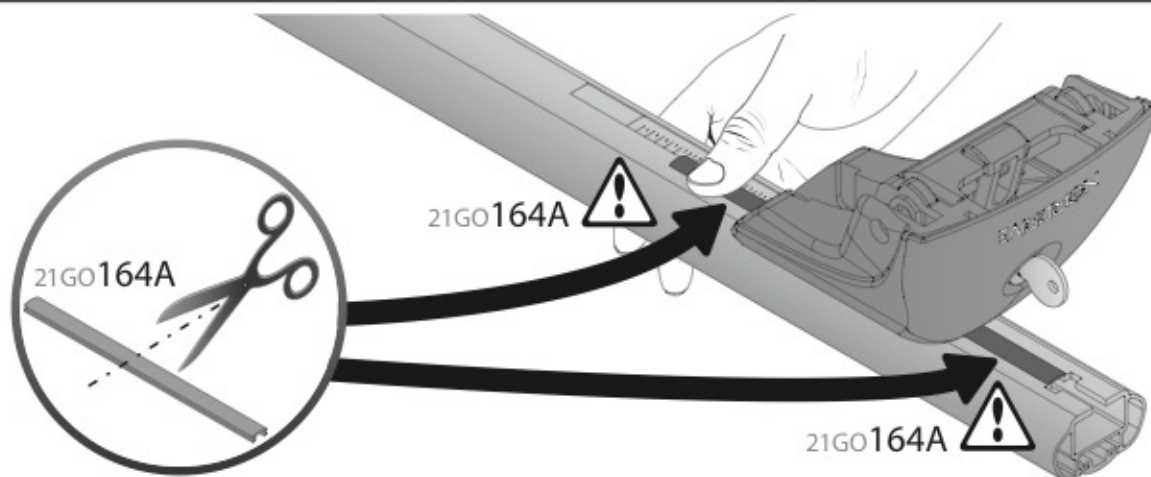




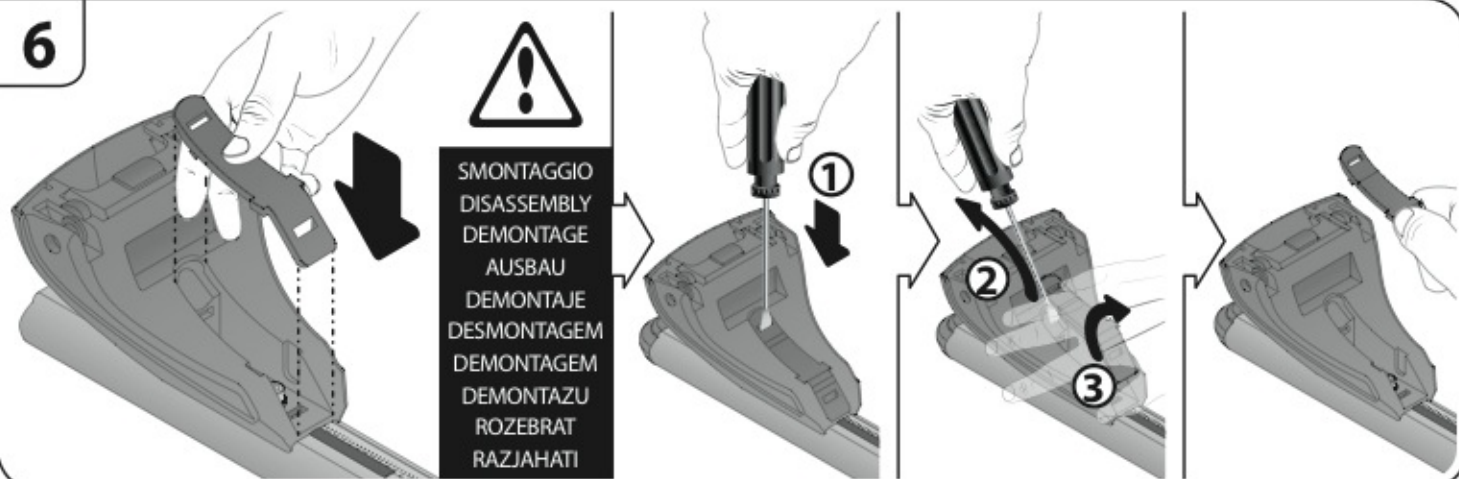
4



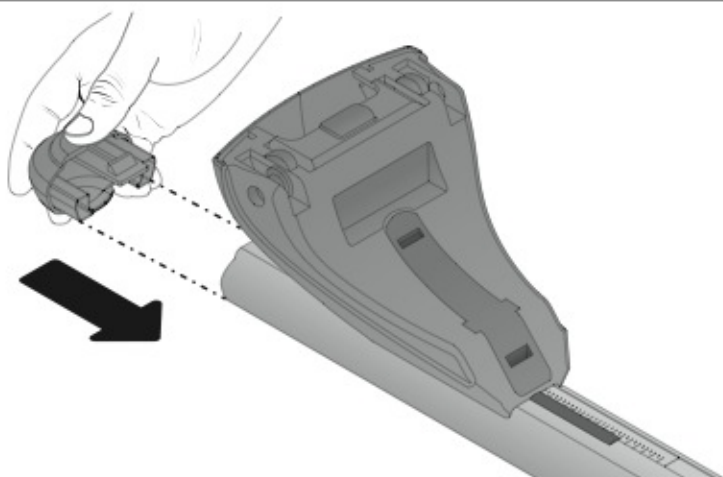
5

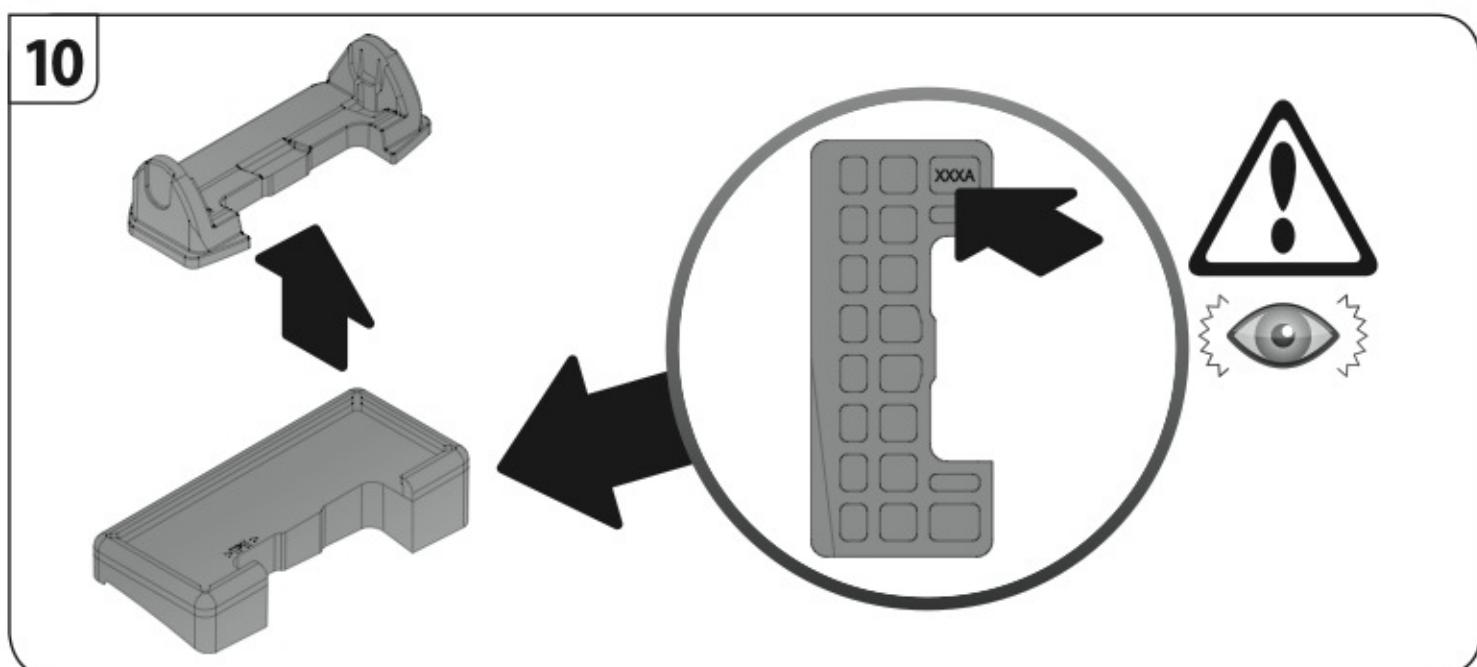
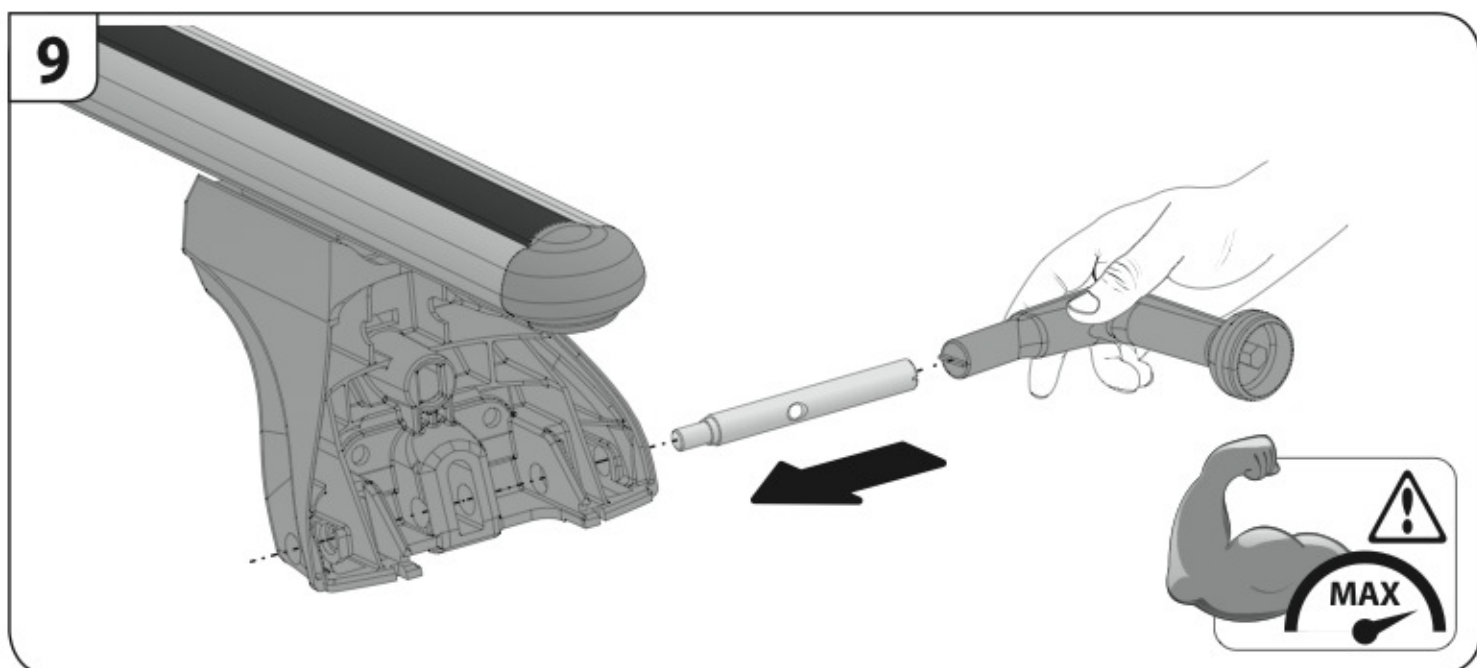
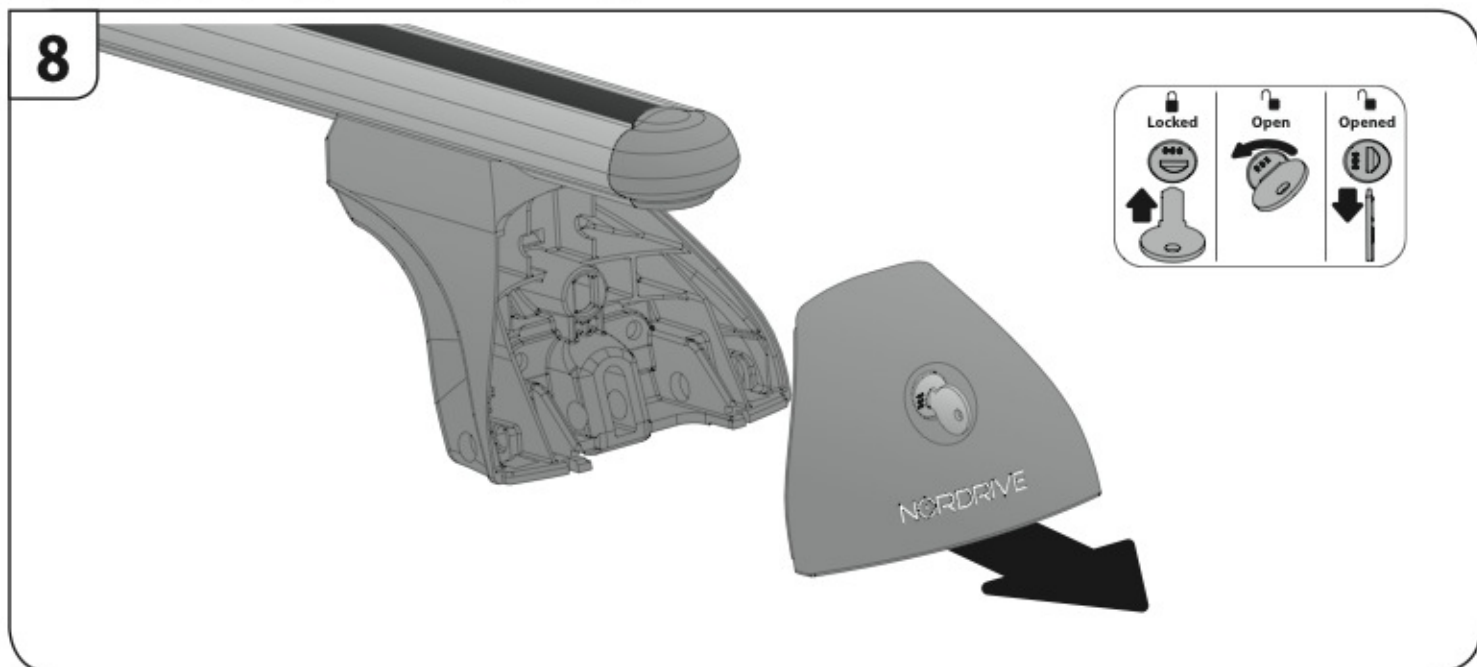


6

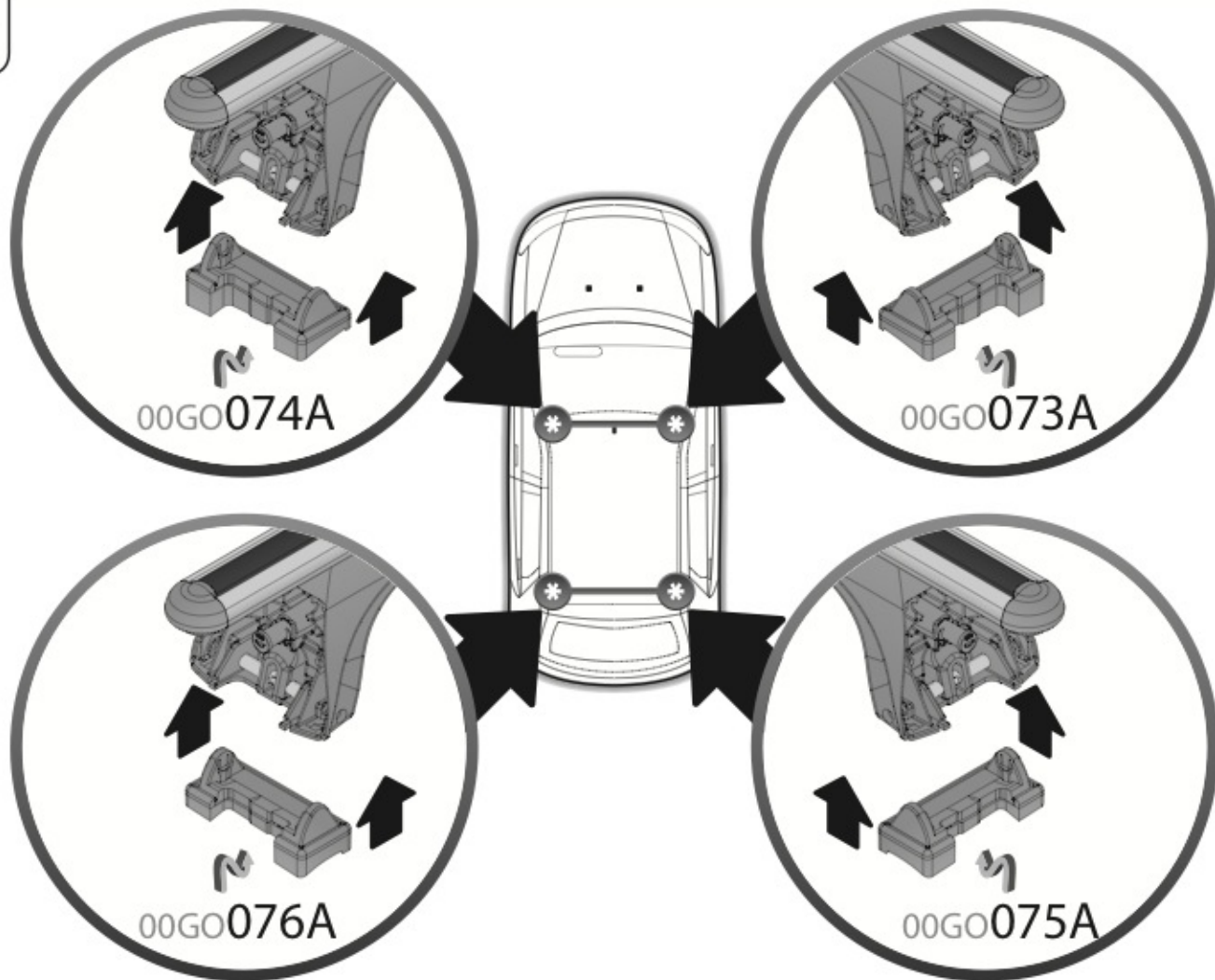


7

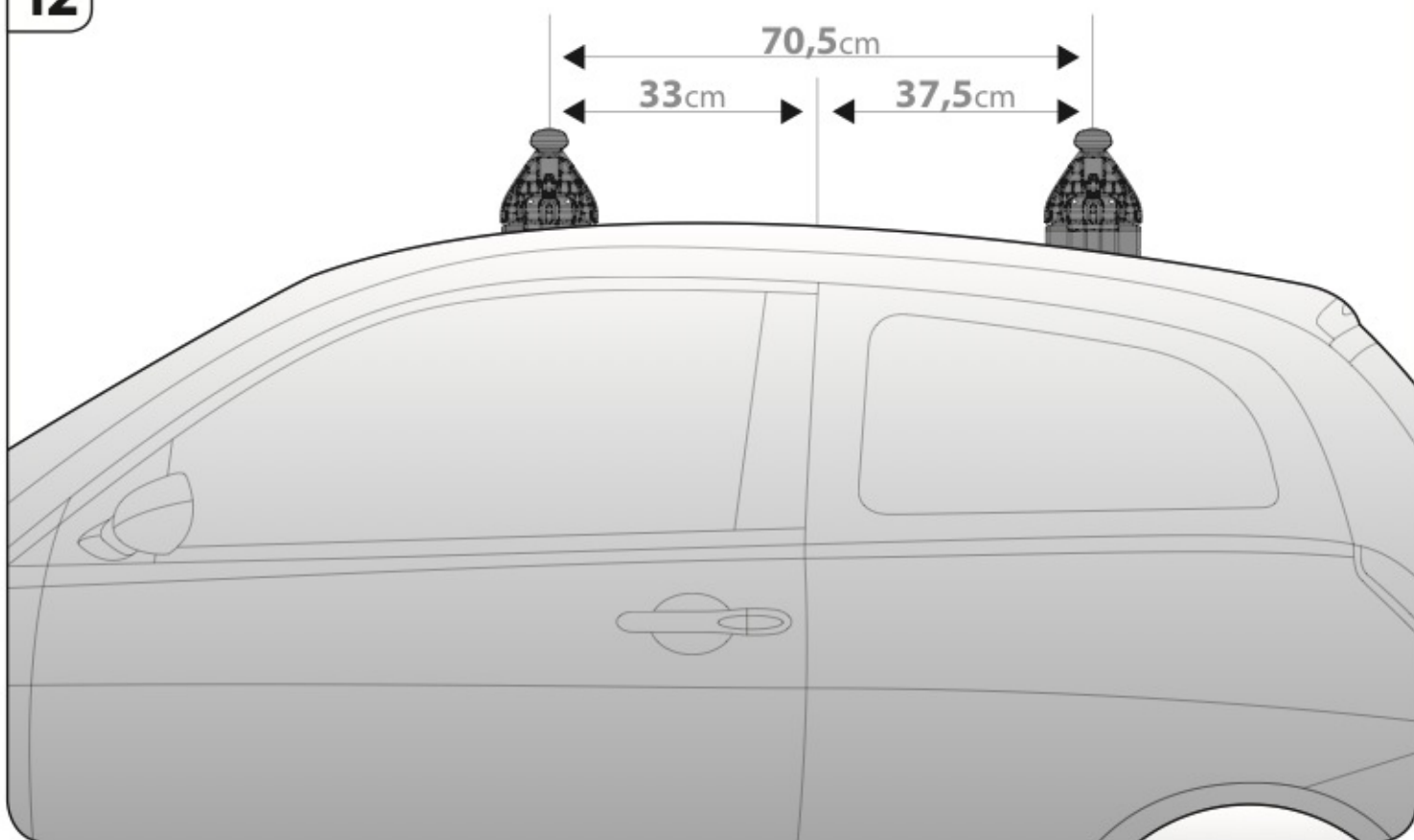




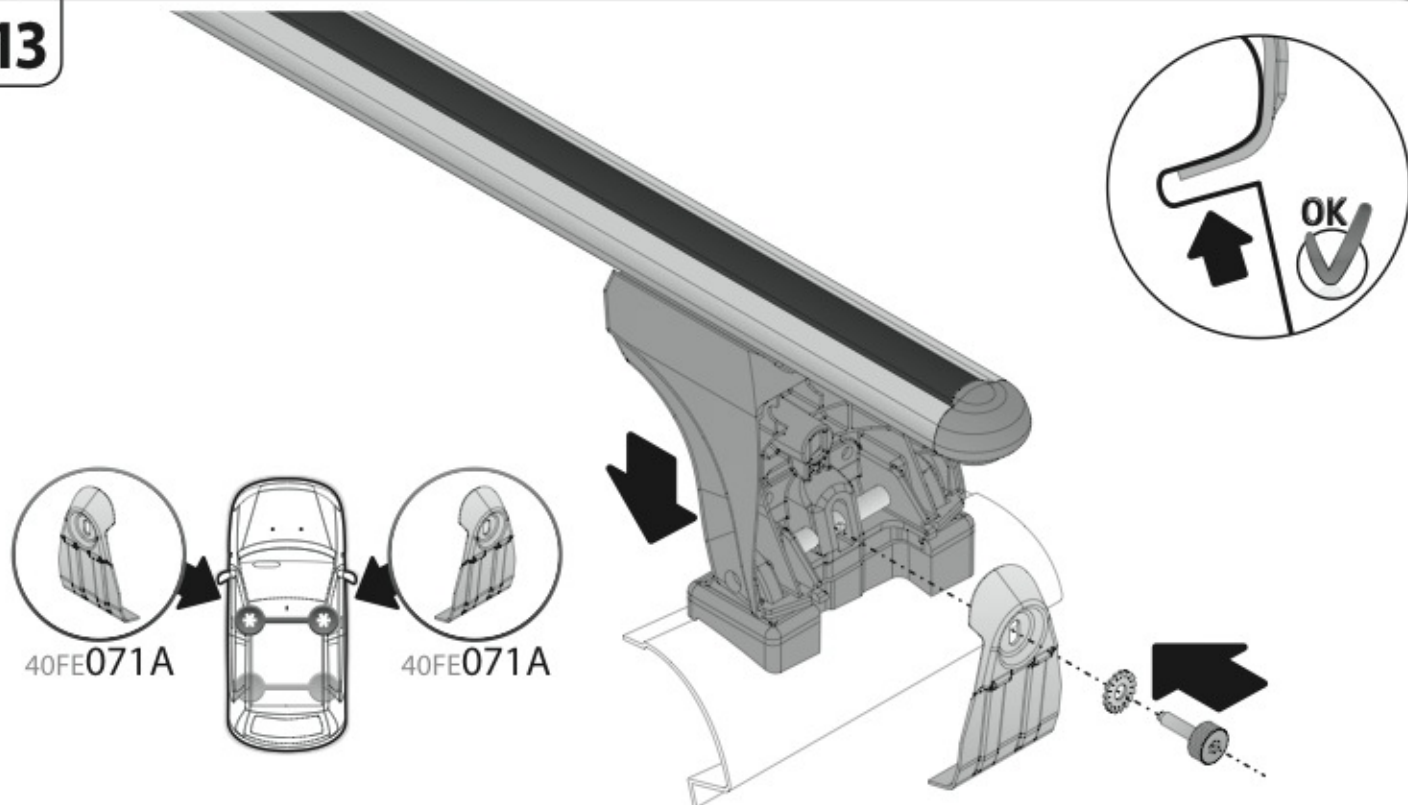
11



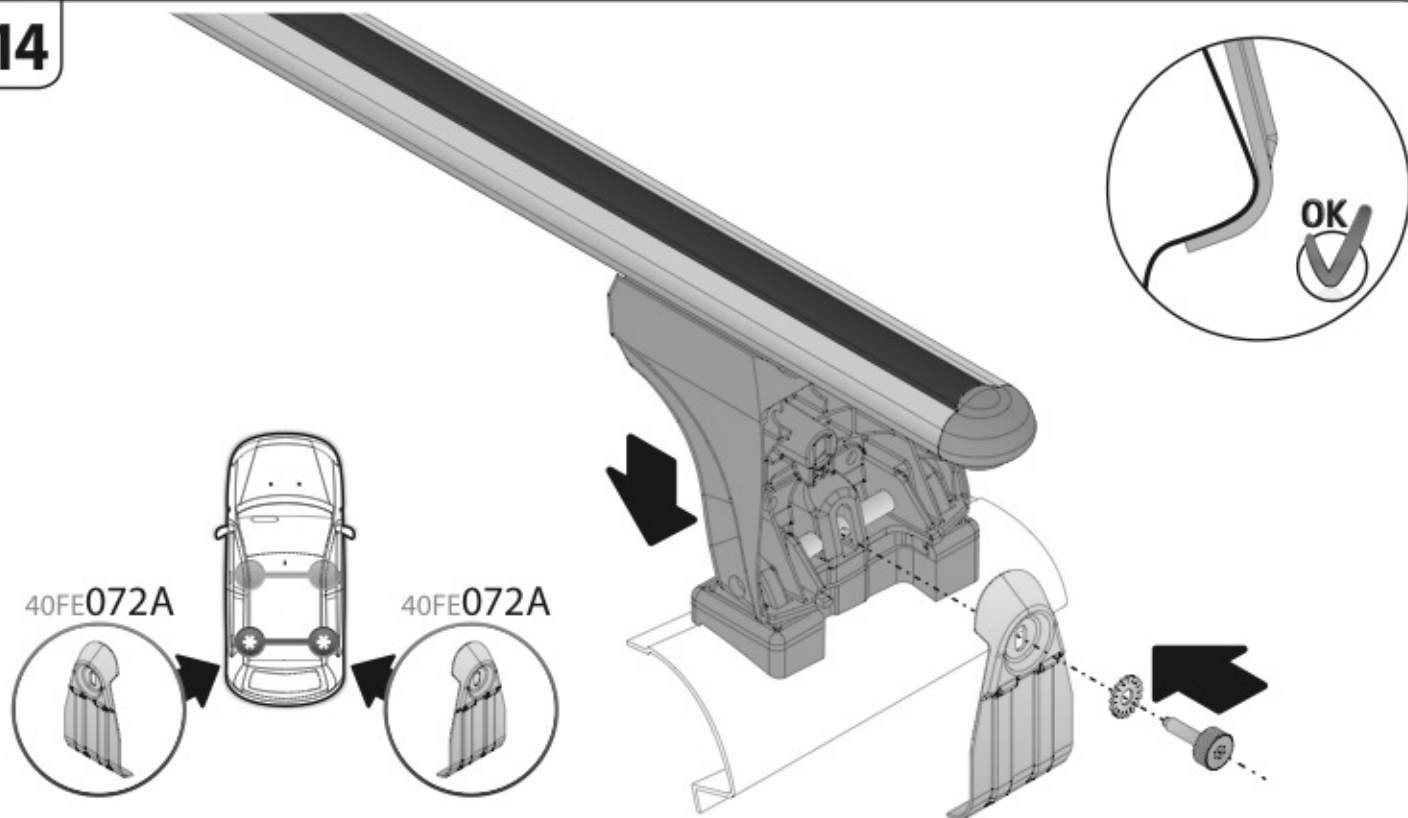
12



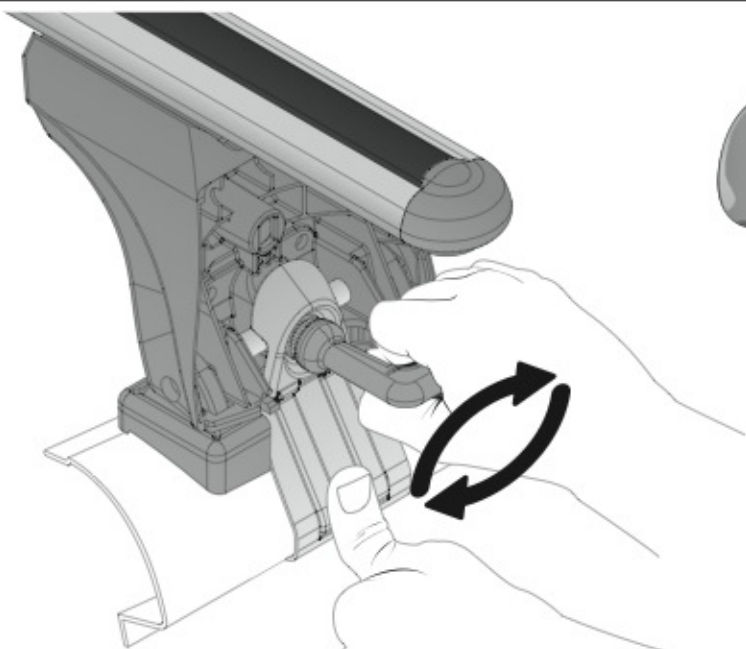
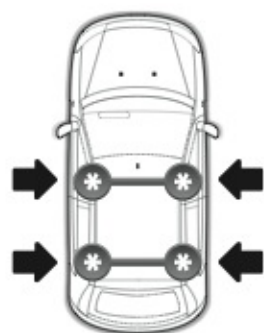
13



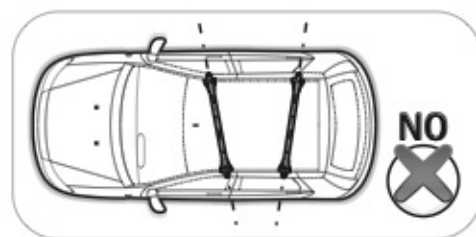
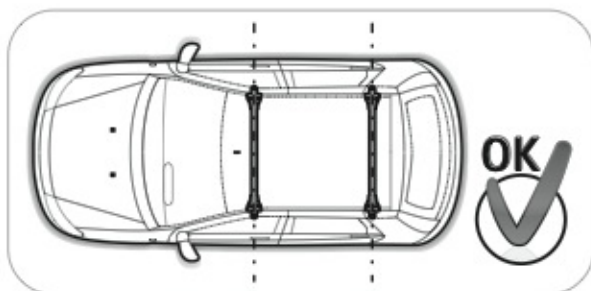
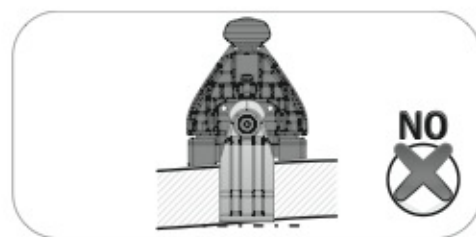
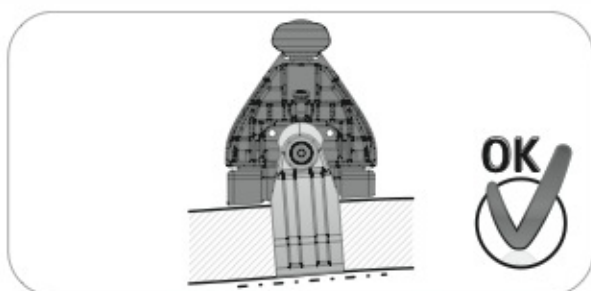
14



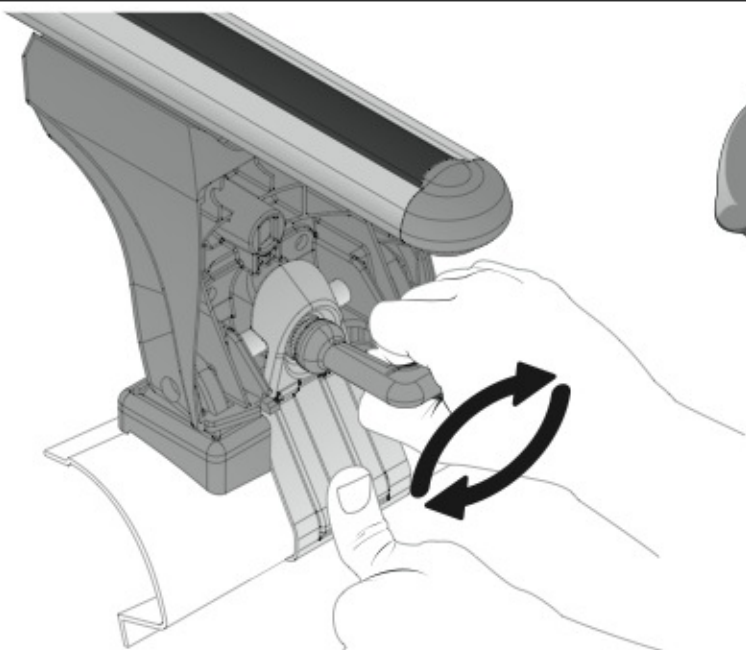
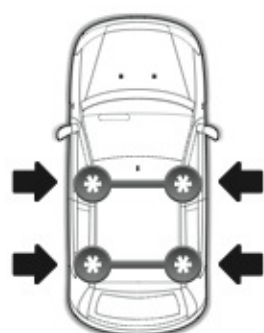
15



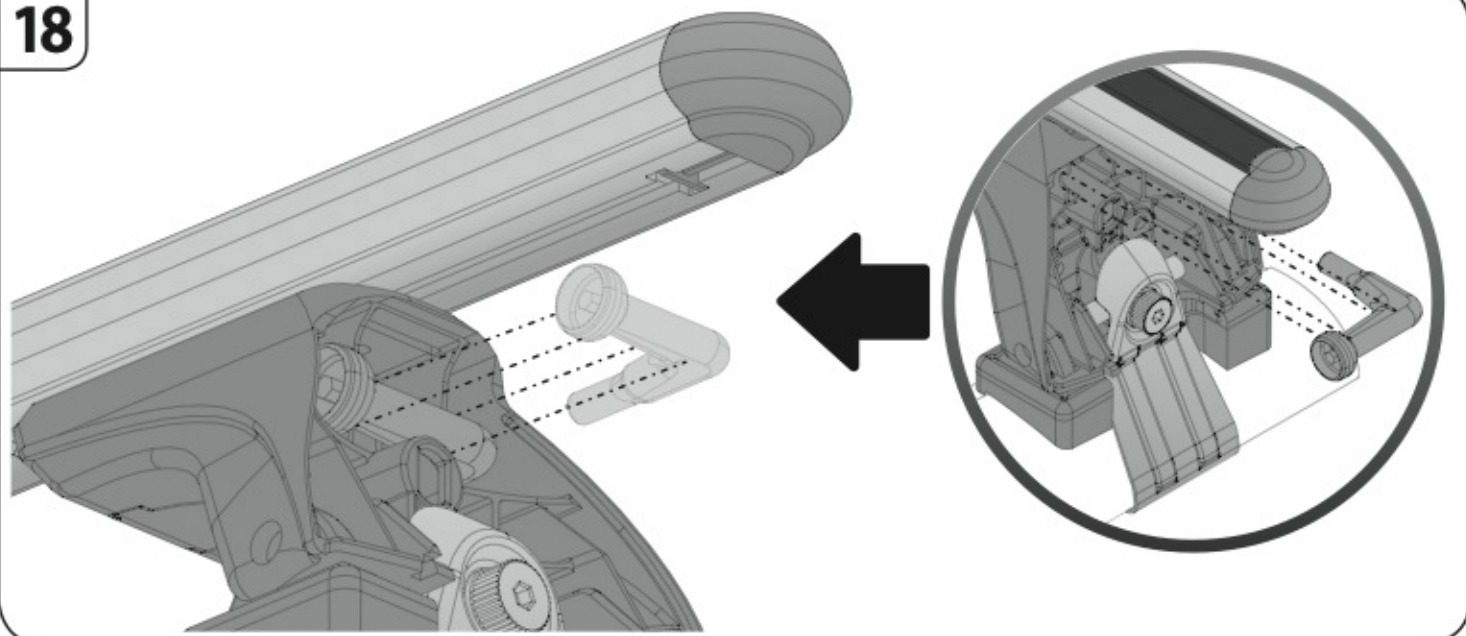
16



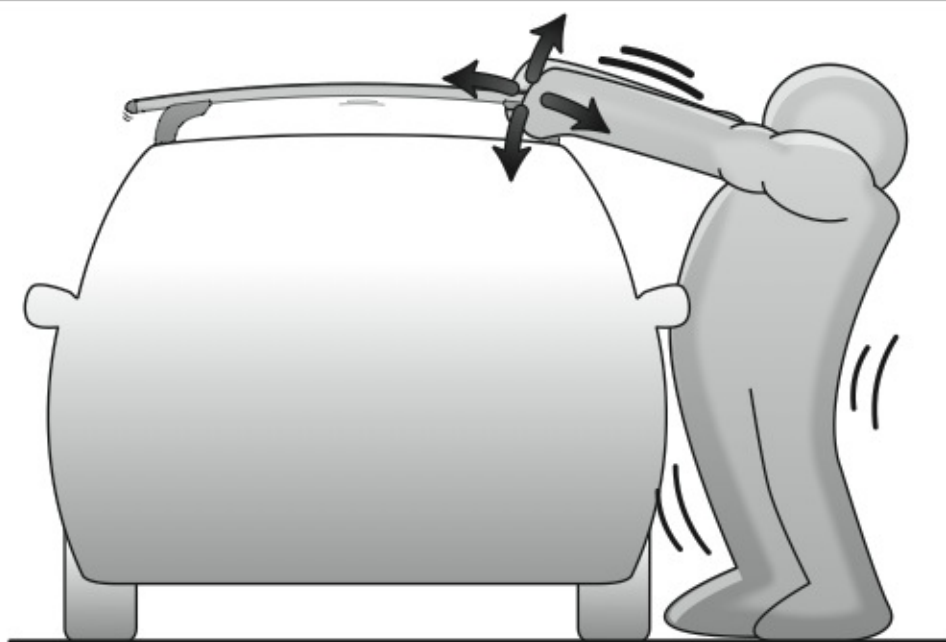
17



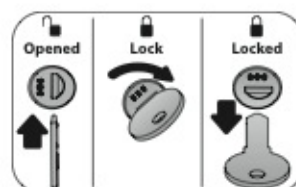
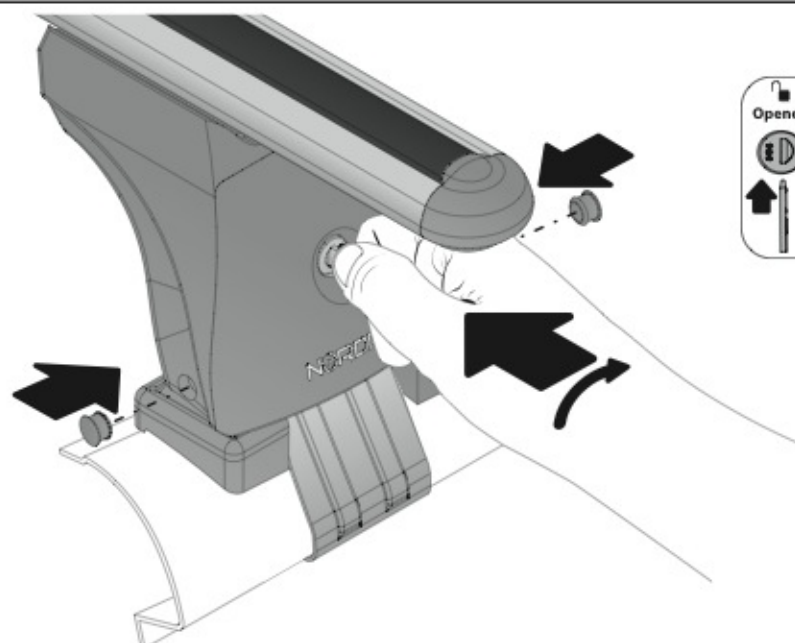
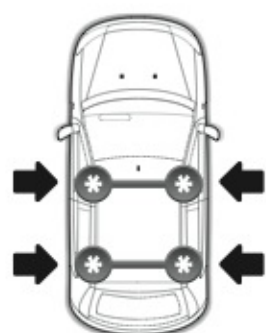
18



19



20



EVOS

EVOLUZIONE ZERO SYSTEM

NORDRIVE[®]
TRANSPORT SOLUTIONS

is a registered trade mark of

LAMPA S.p.A.

46019 Viadana (MN) ITALY

Ditta certificata UNI EN ISO 9001:2008

www.nordrive.it

www.lampa.it