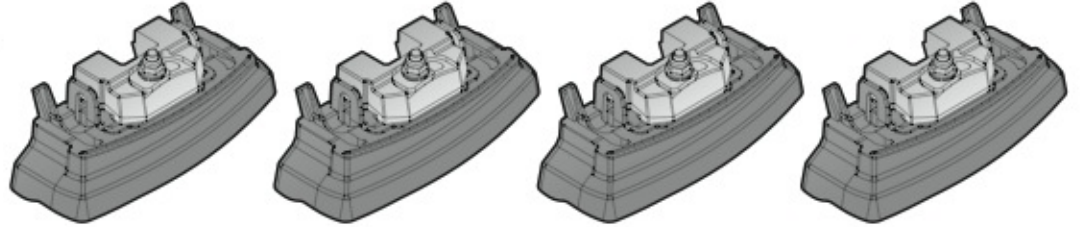


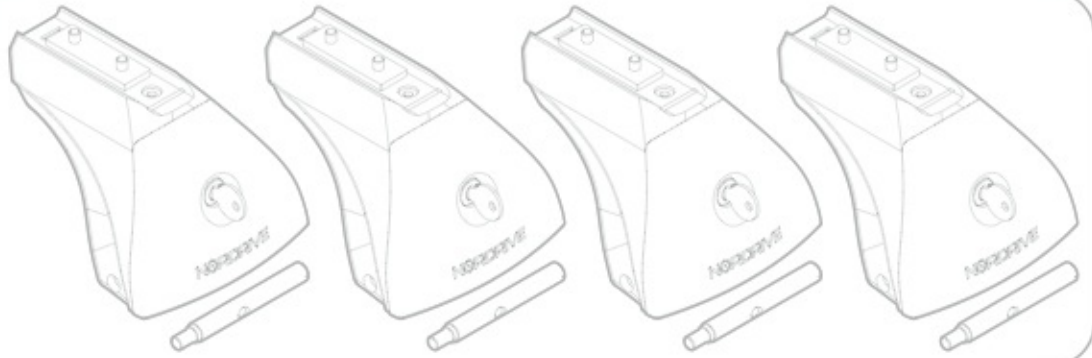
Art.
N21145



C



Art. **N20001**



B



Art. **N15020**



A

ACCIAIO
Steel



Art. **N15025**






A

ALLUMINIO
Aluminium



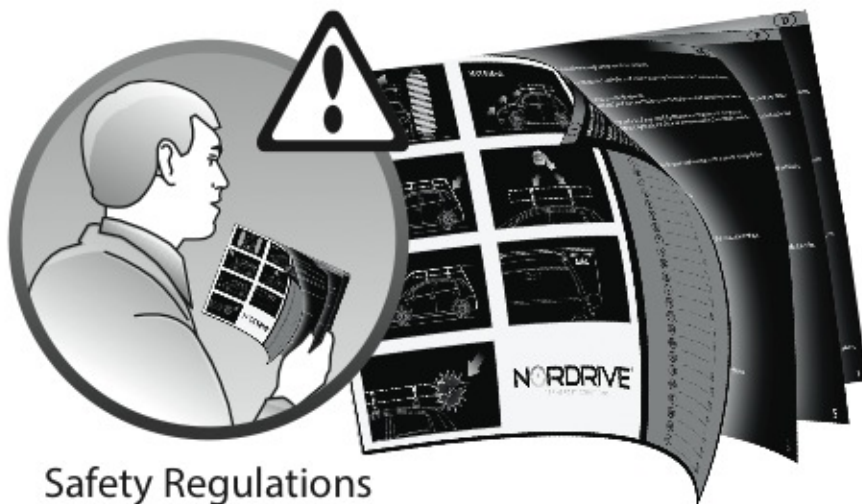
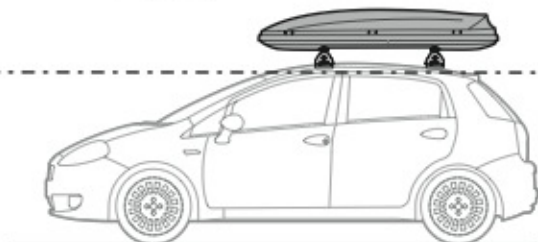


 +  +  = max: **75kg**

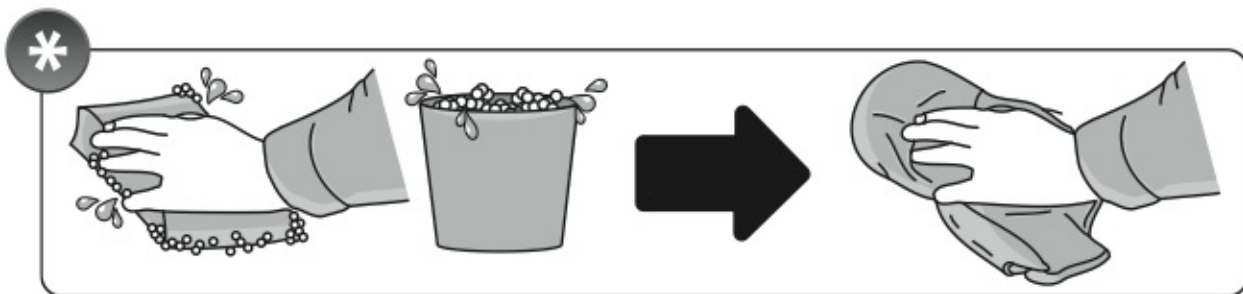
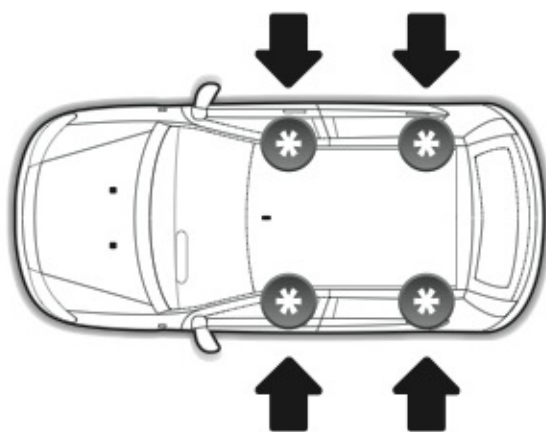
5,5kg



max: **???**kg



Safety Regulations

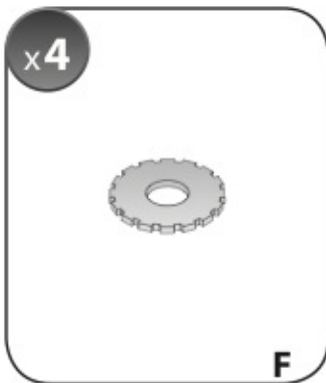
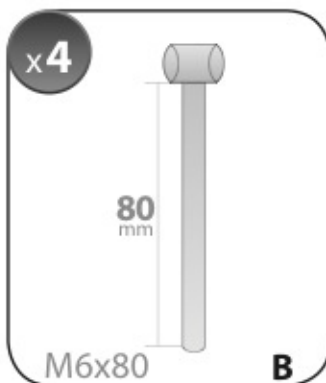
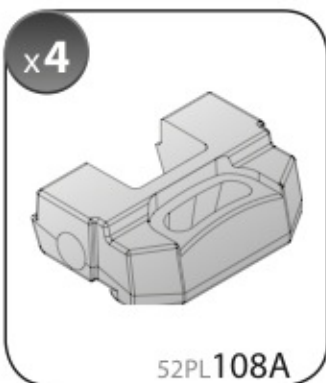
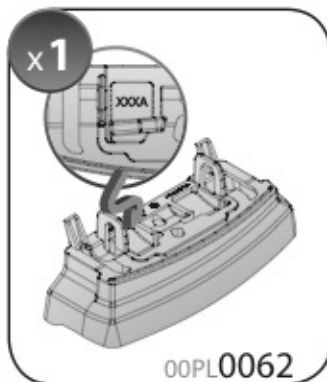
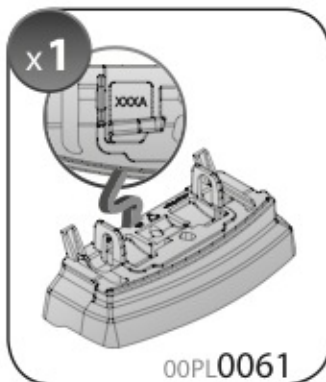
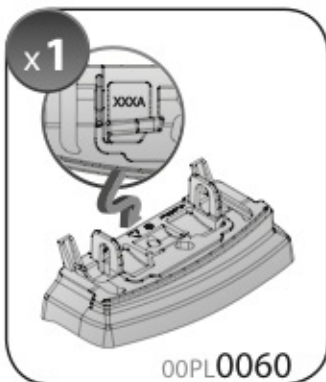
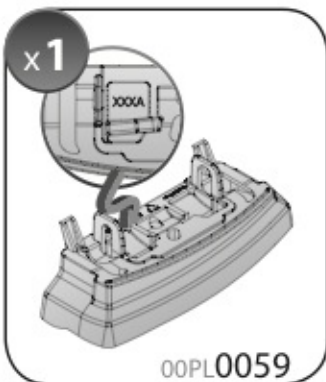
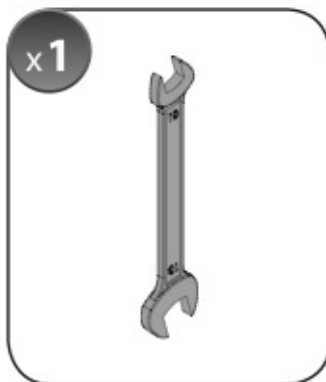


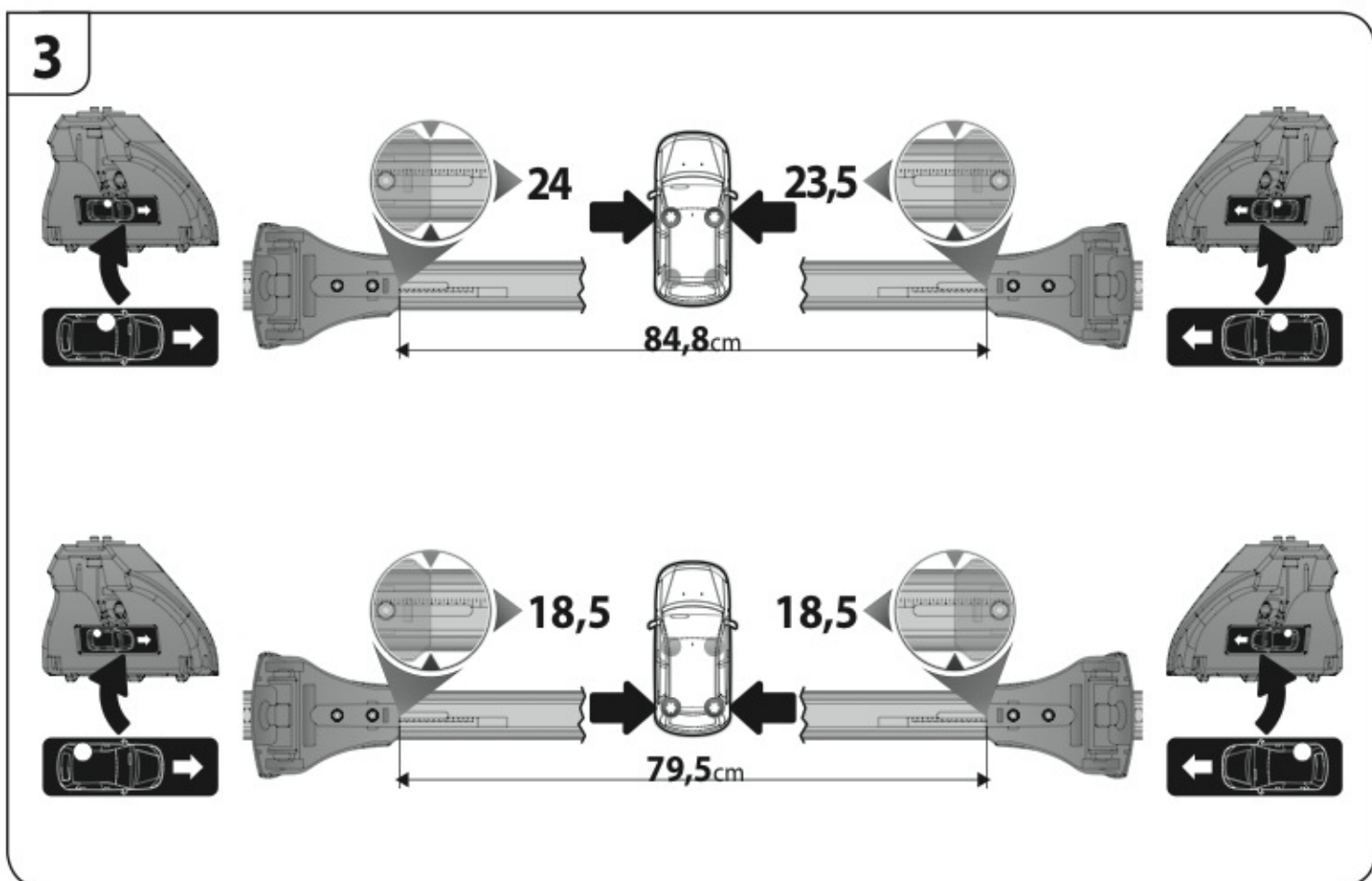
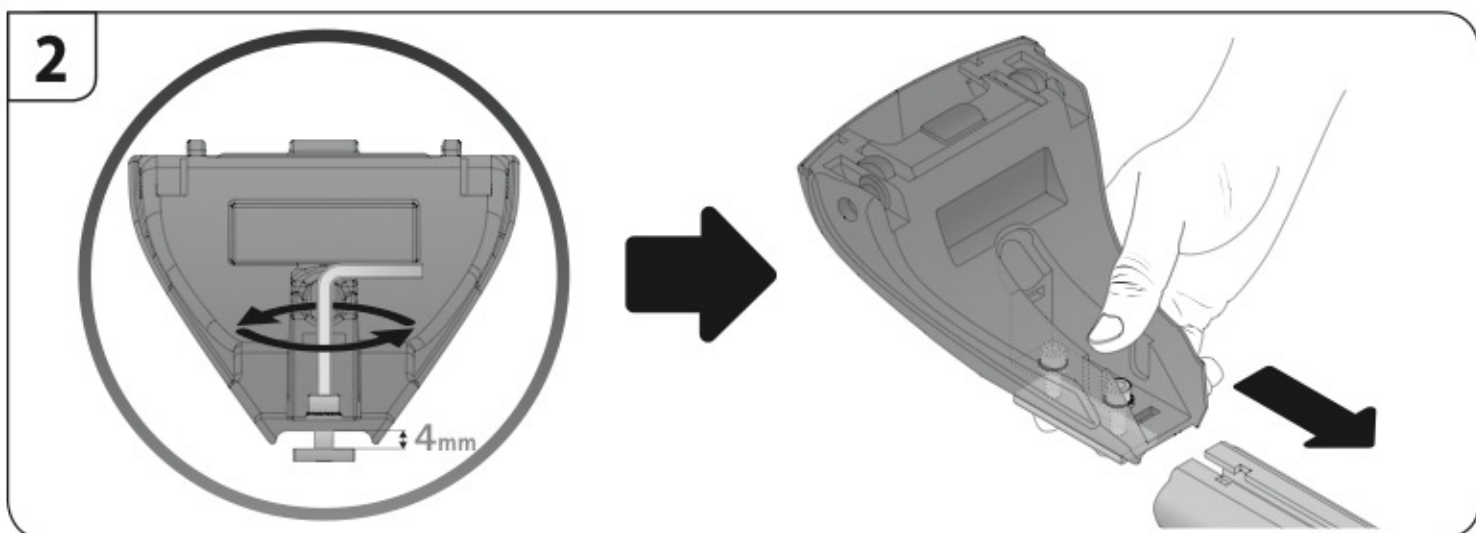
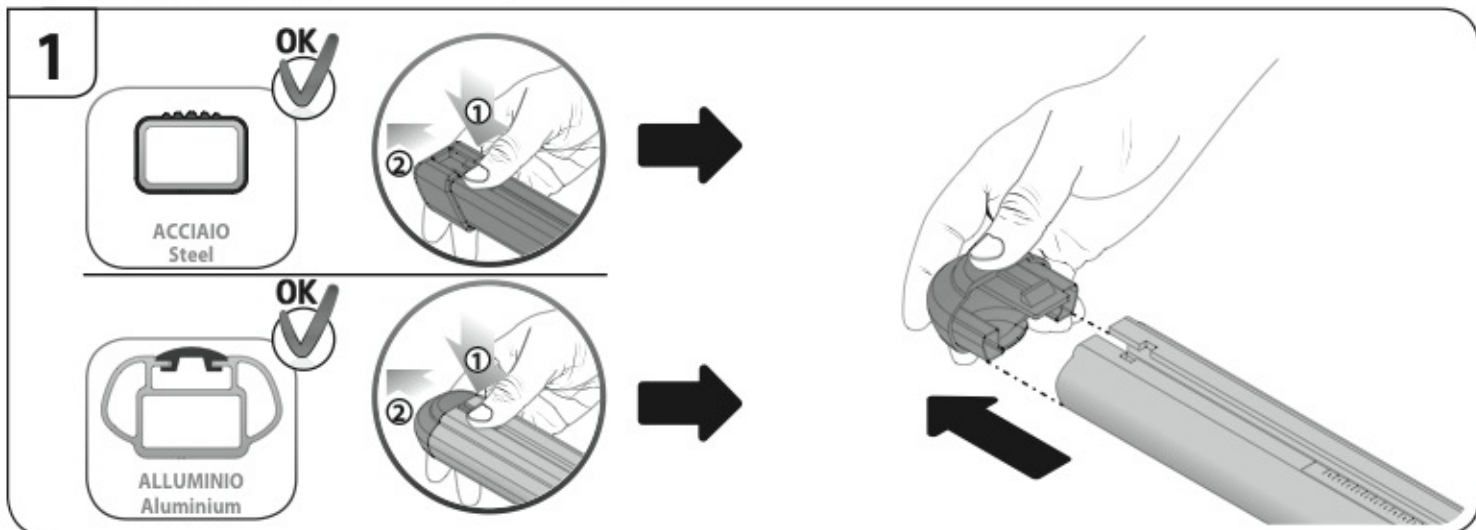


MERCEDES CLASSE B

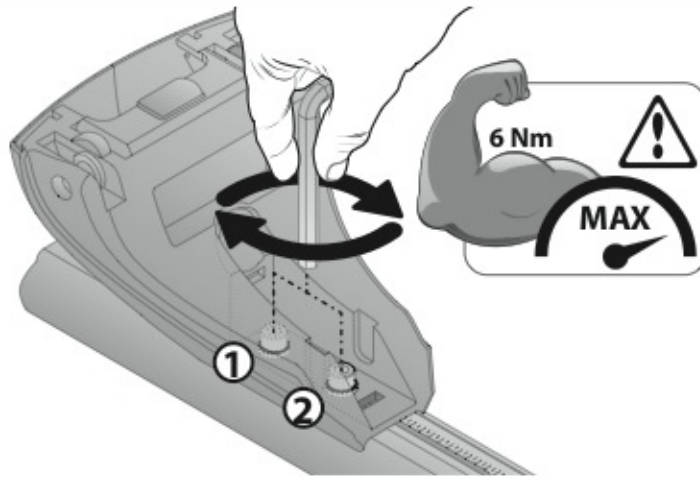
10/11 →

Art. **N21145**

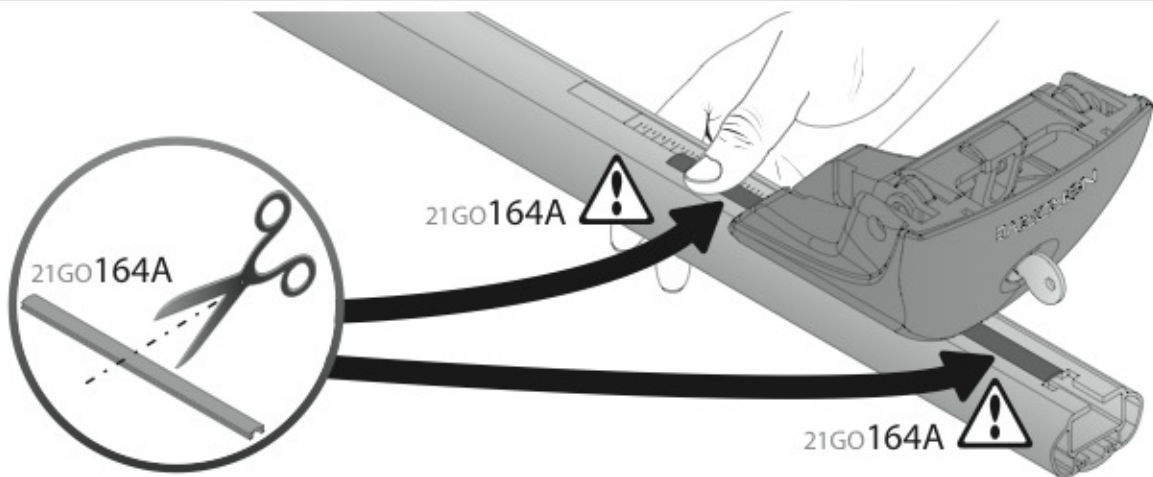




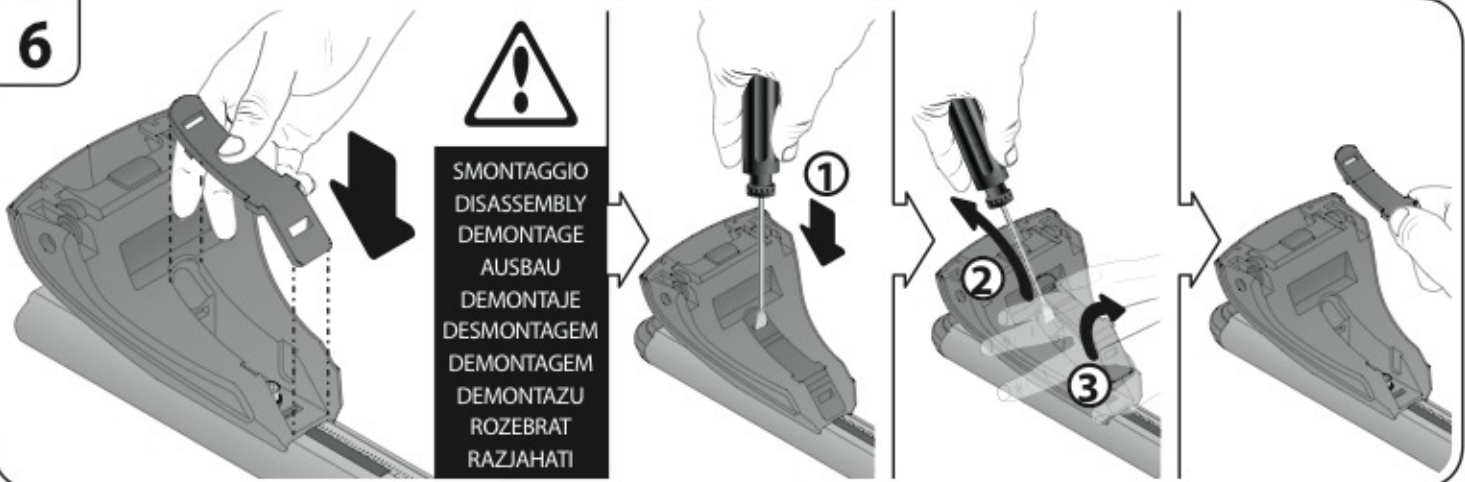
4



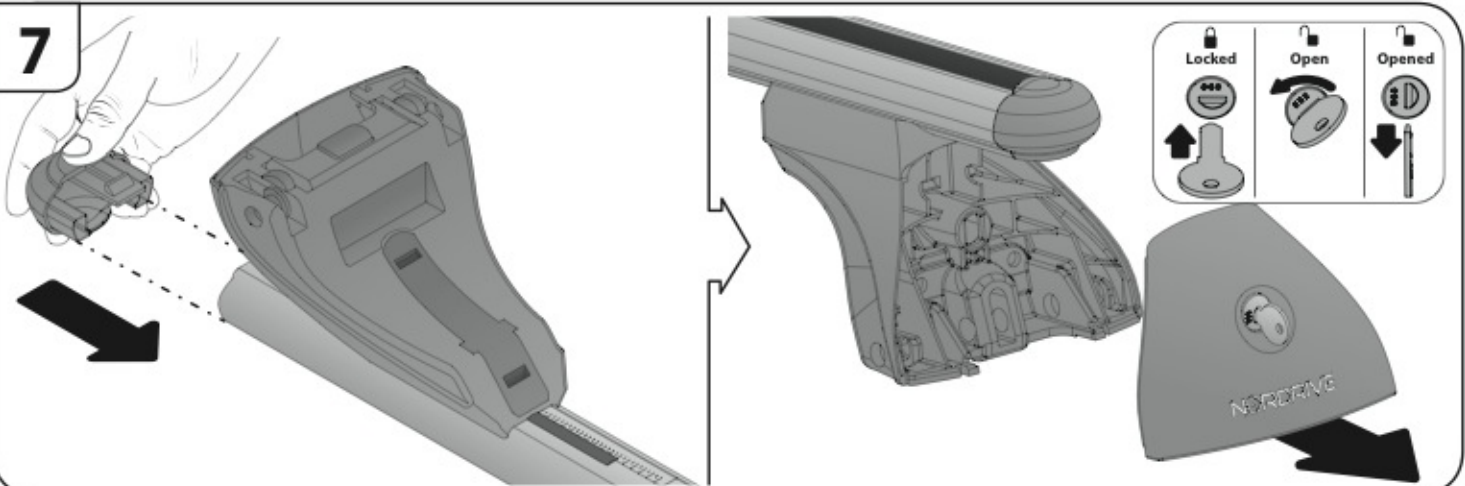
5



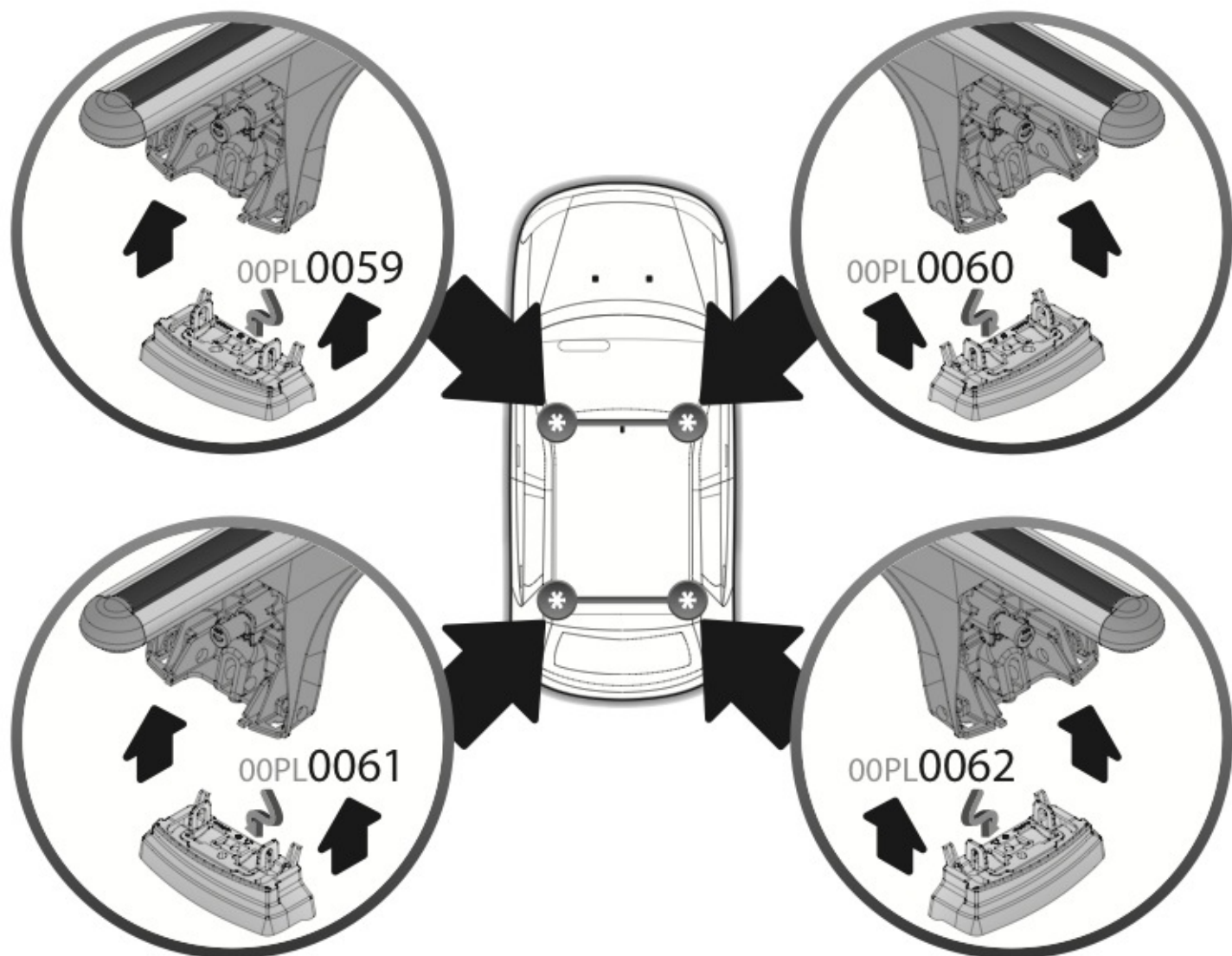
6



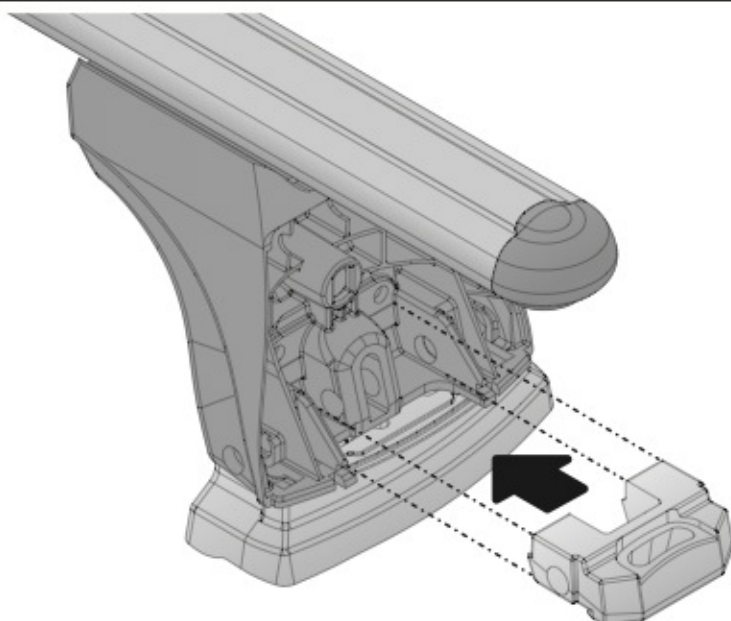
7



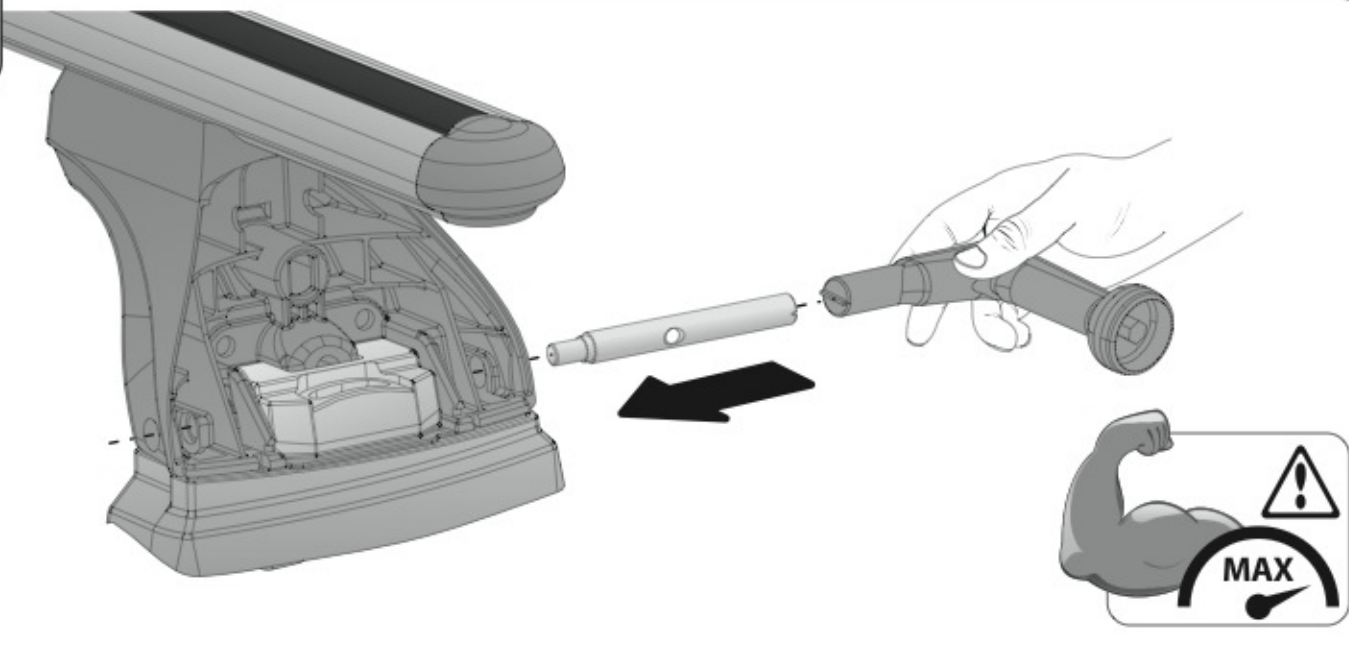
8



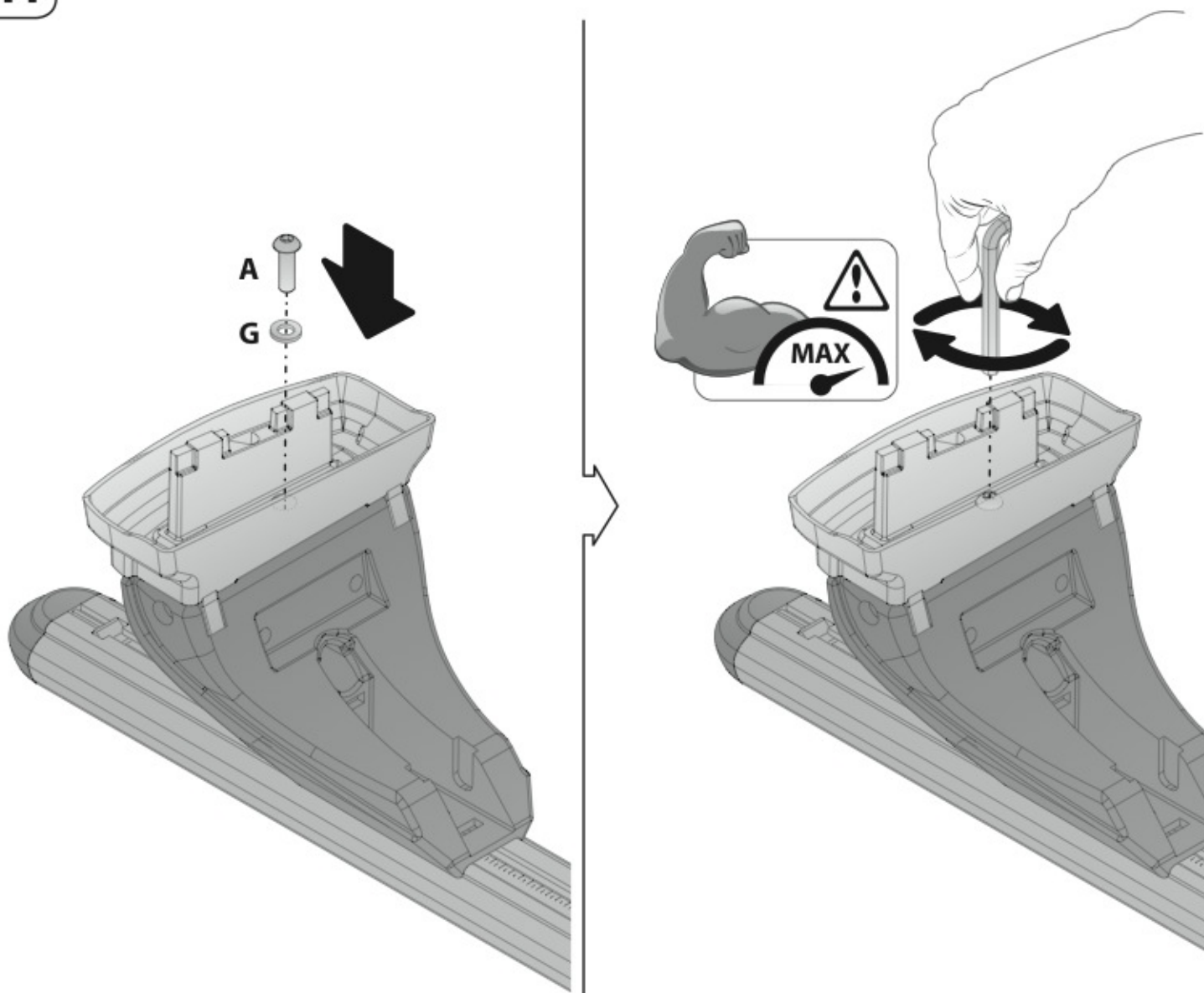
9



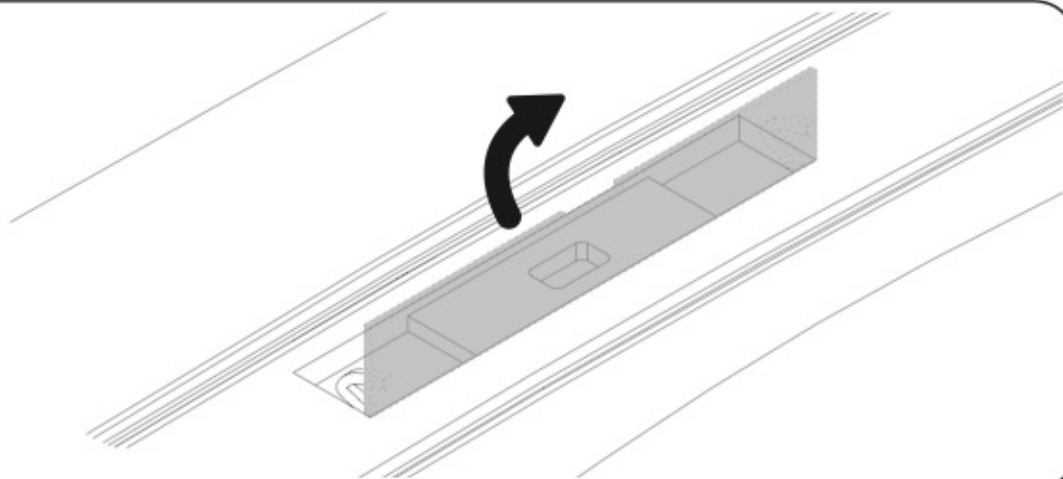
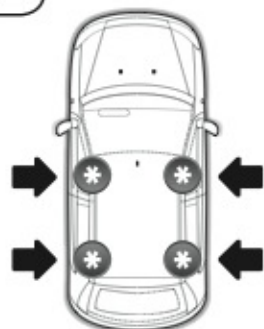
10



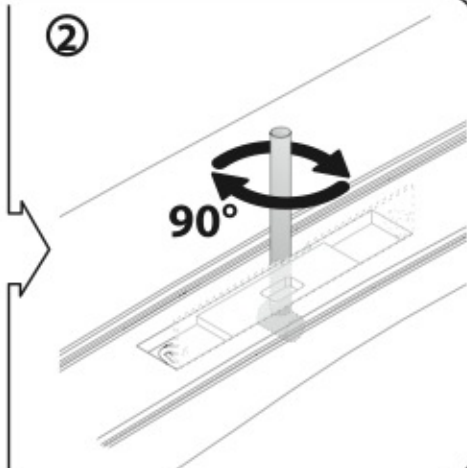
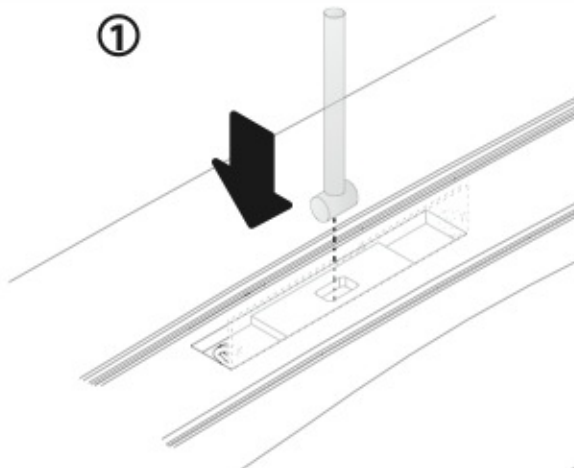
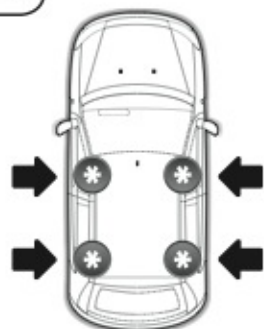
11



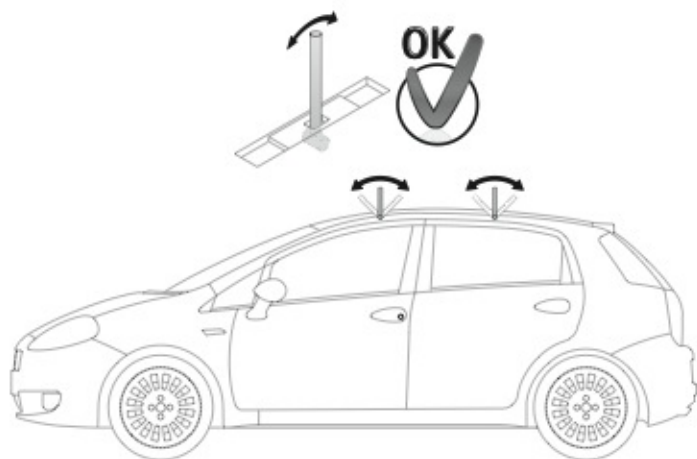
12



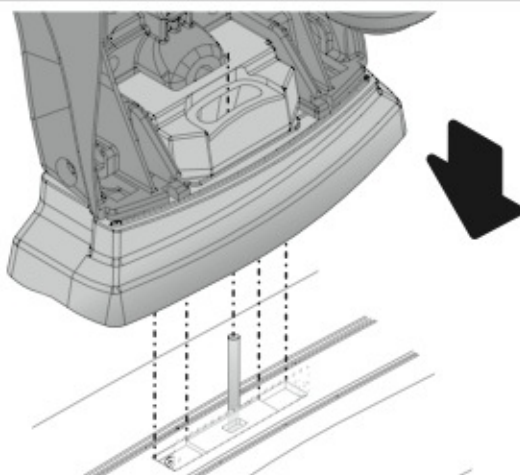
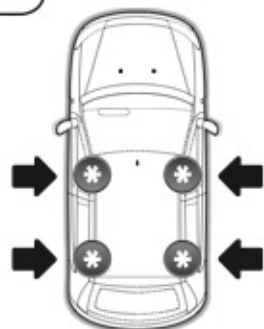
13



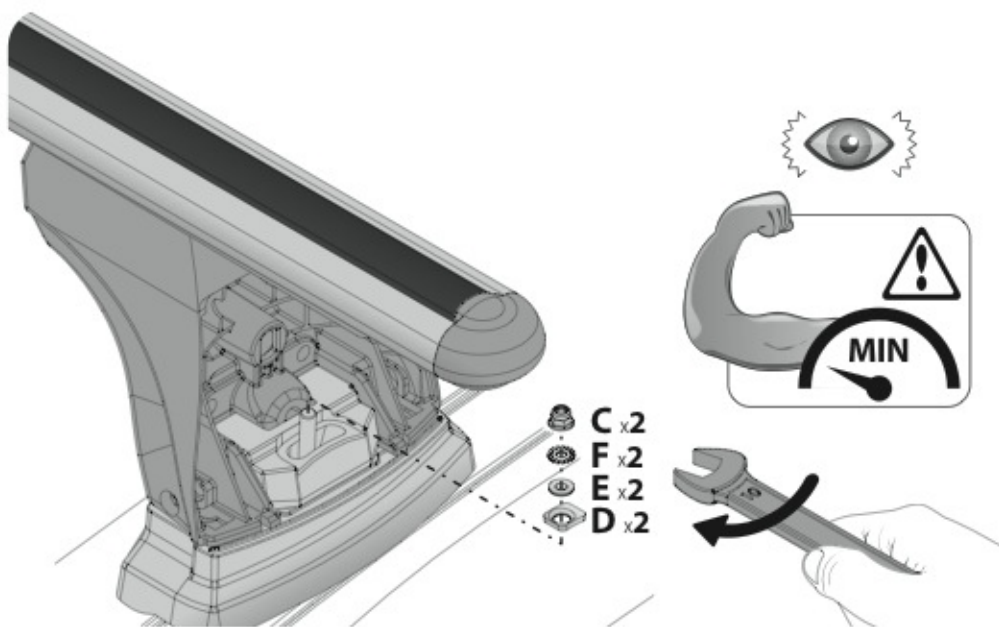
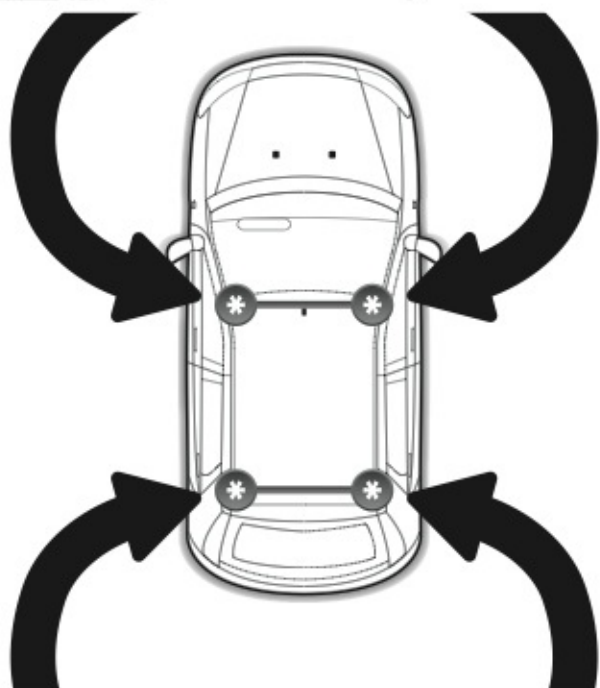
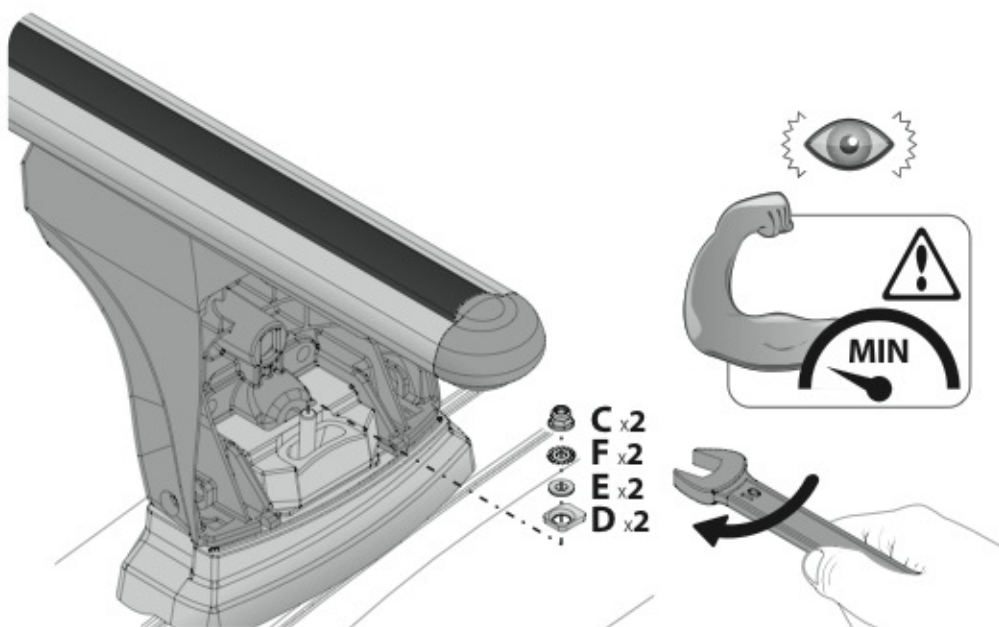
TEST



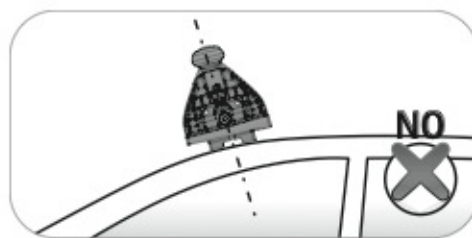
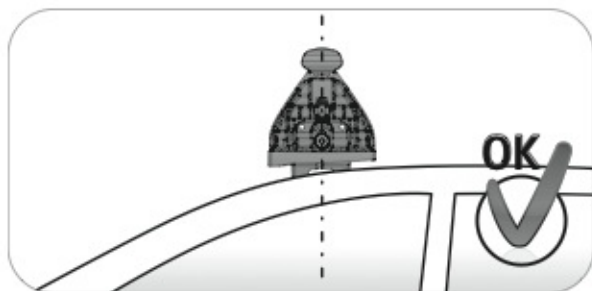
14



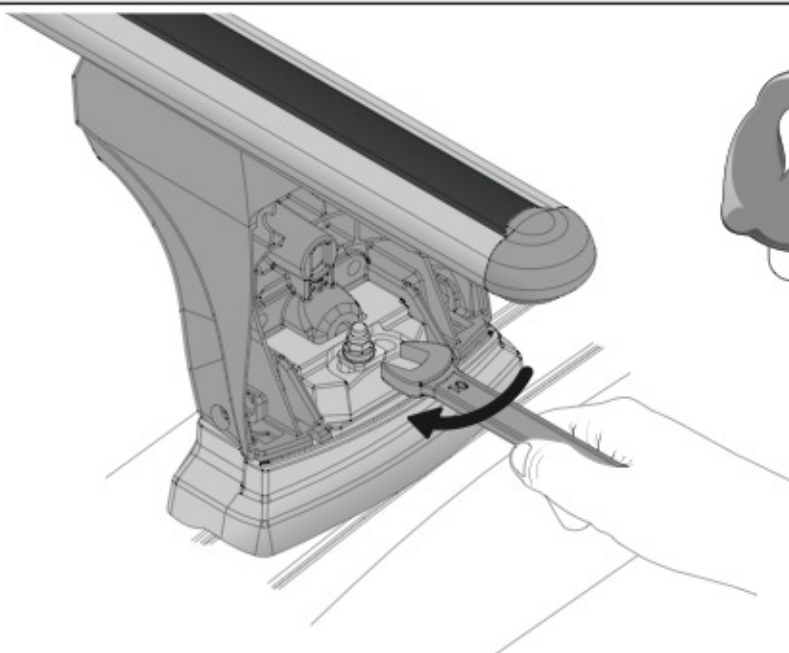
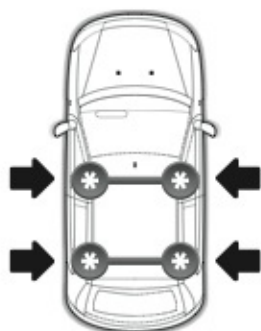
15



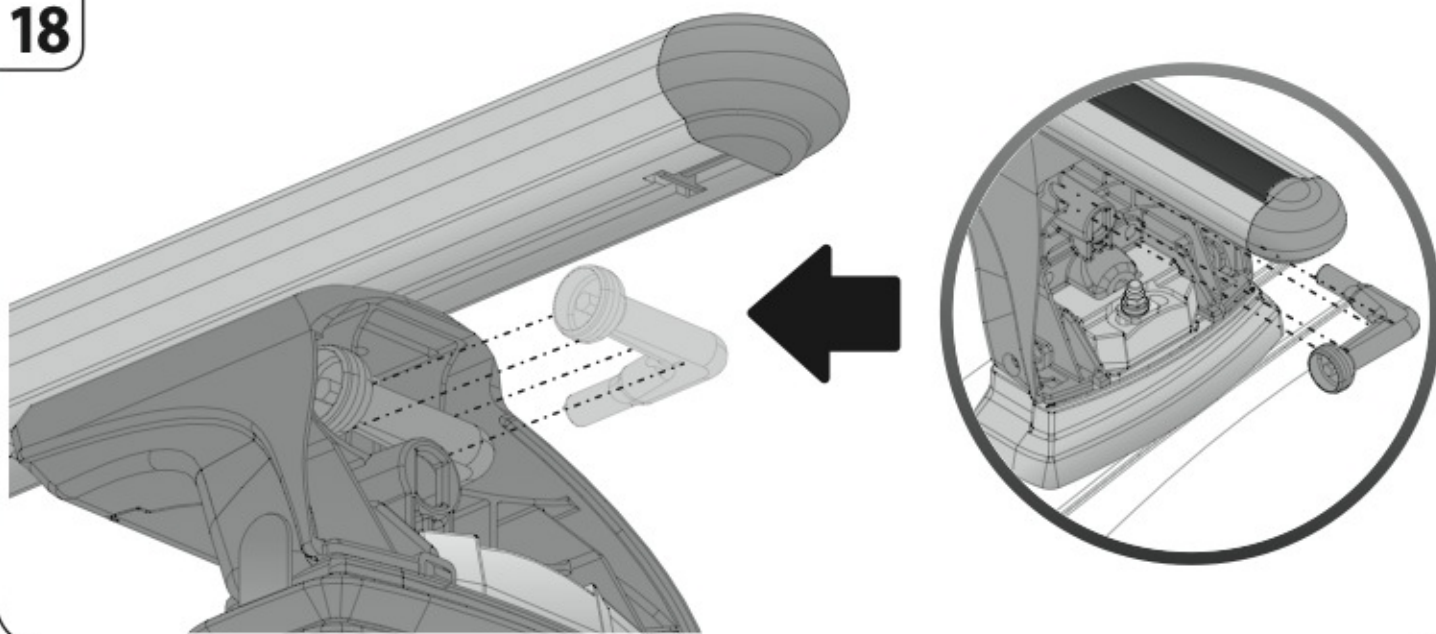
16



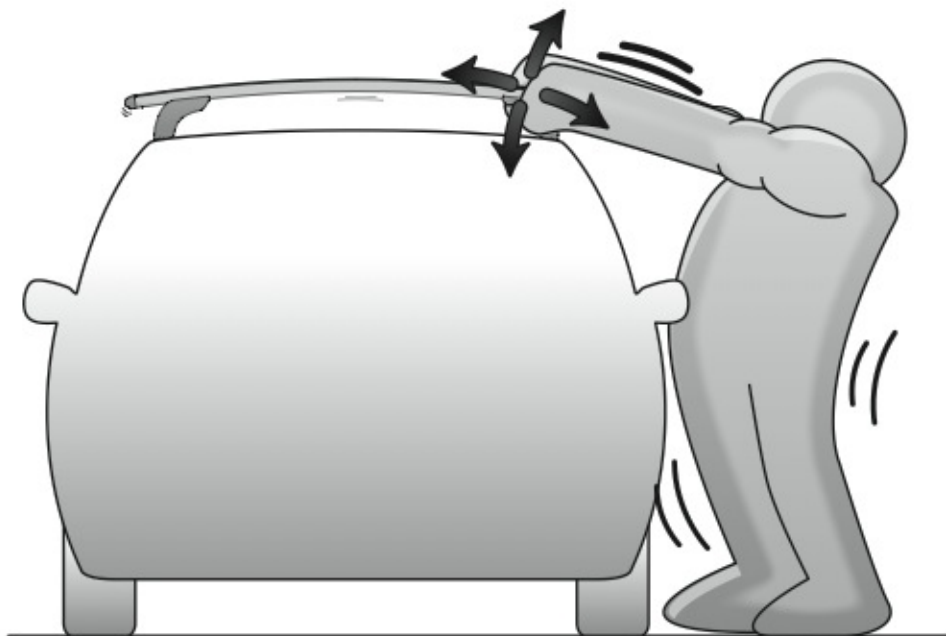
17



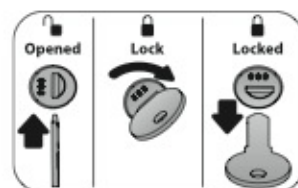
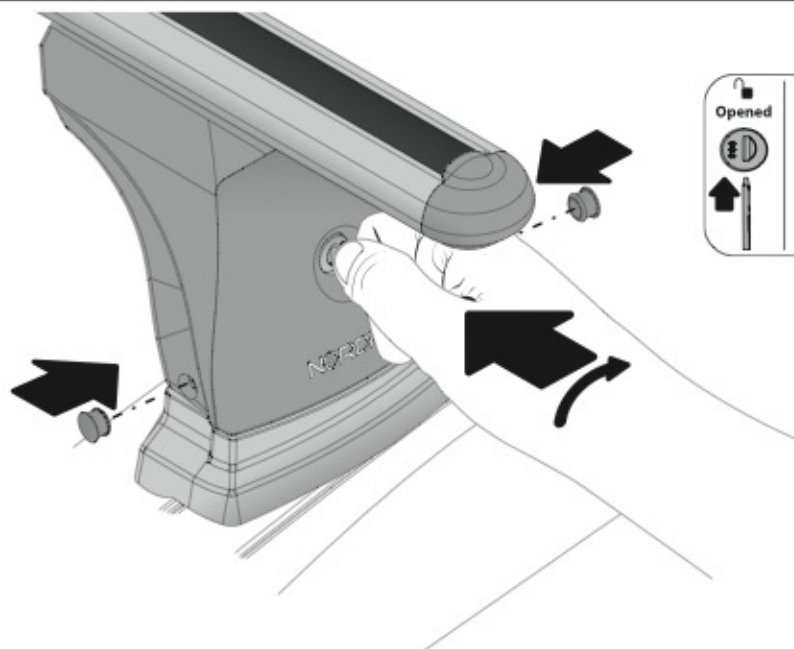
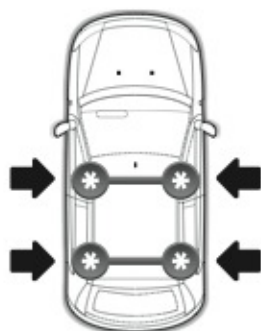
18



19



20



EVOS

EVOLUZIONE ZERO SYSTEM

NORDRIVE[®]
TRANSPORT SOLUTIONS

is a registered trade mark of

LAMPA S.p.A.

46019 Viadana (MN) ITALY

Ditta certificata UNI EN ISO 9001:2008

www.nordrive.it

www.lampa.it