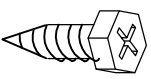


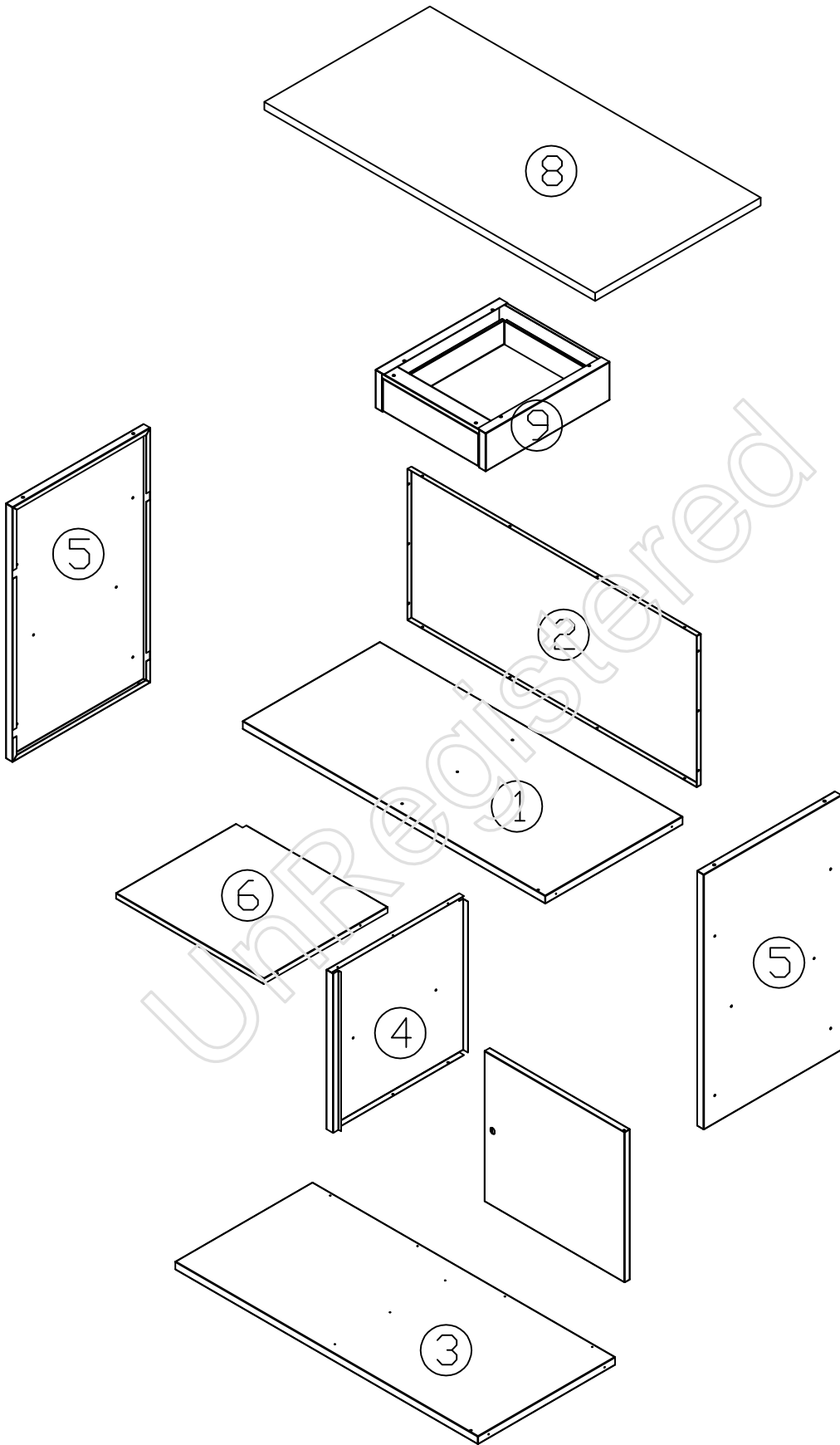
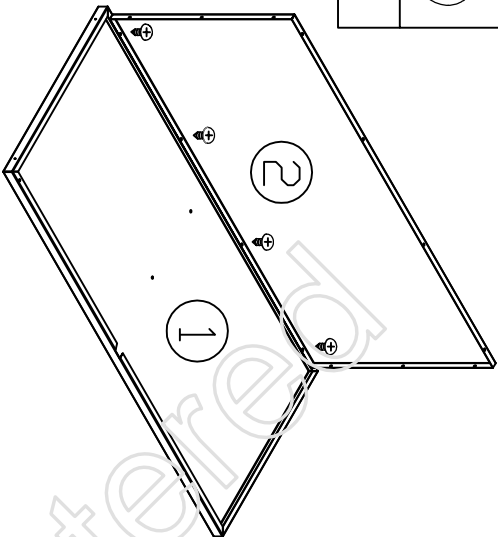
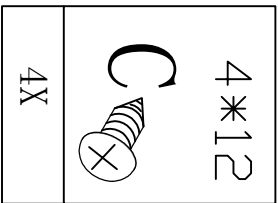
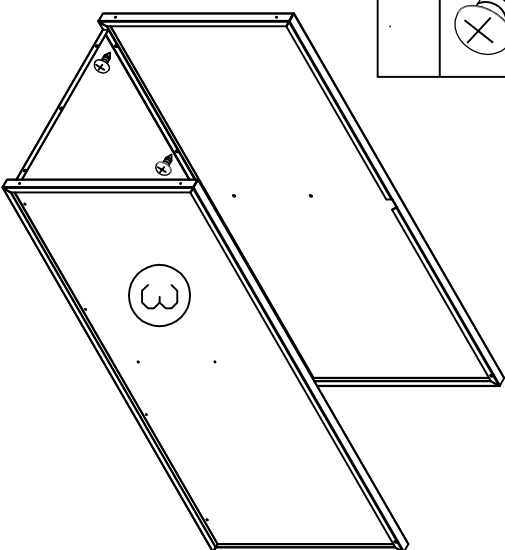
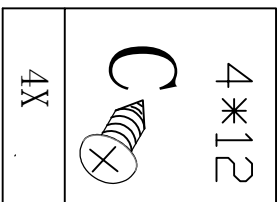
 <p>A 1X</p>	 <p>B 10X</p>	<p>6*16</p>	 <p>C 26X</p>	<p>4*12</p>	 <p>D 2X</p>	<p>φ12</p>
---	--	-------------	--	-------------	---	------------



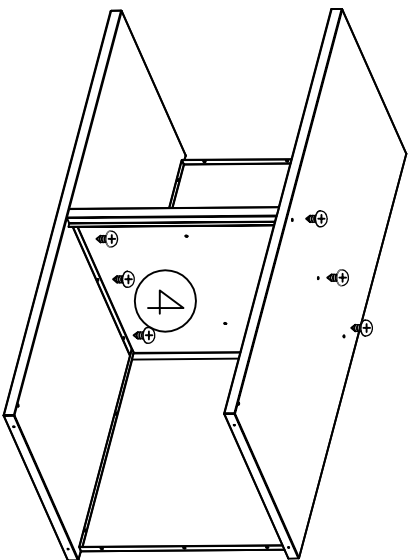
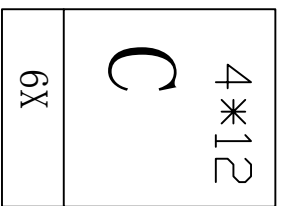
1



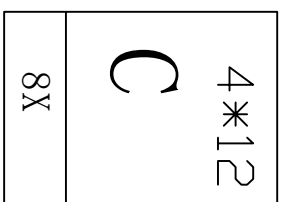
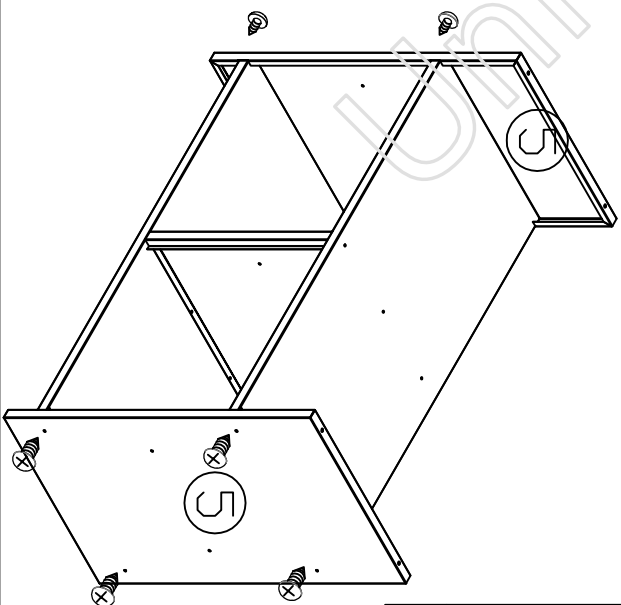
2





3

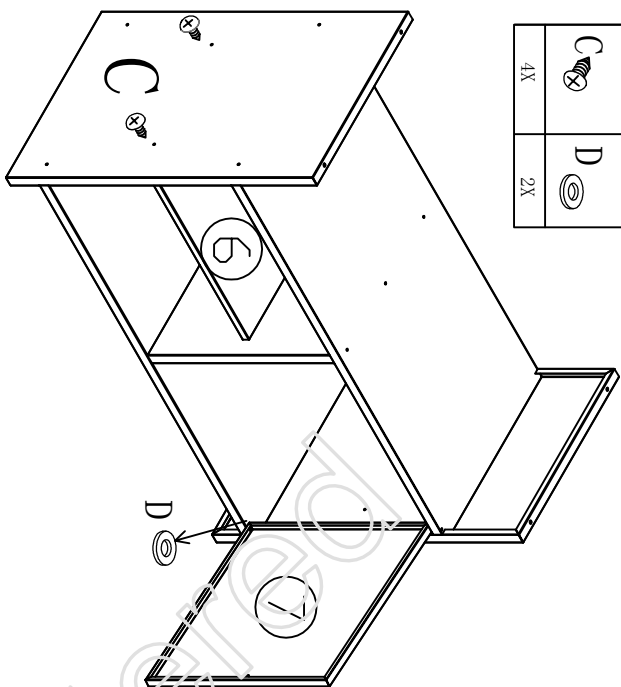


4




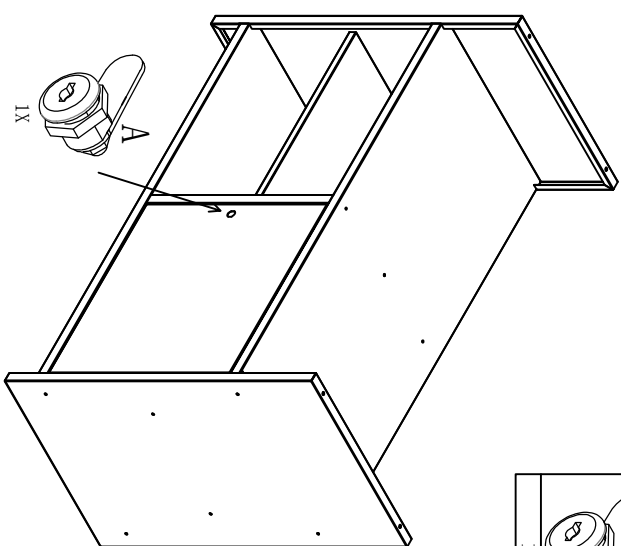
5

4*12	φ12
 C	 D
4X	2X




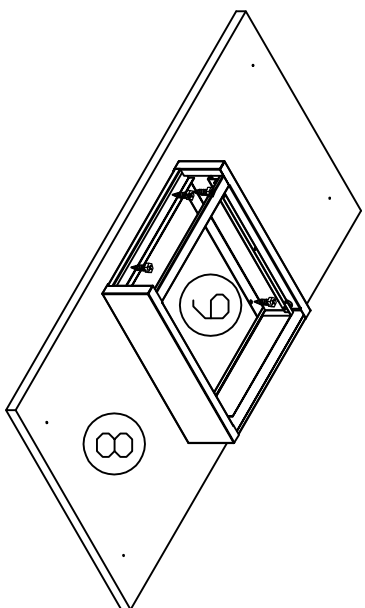
6

 A
1X




7

6*16	 B
6X	



8

6*16	 B
4X	

