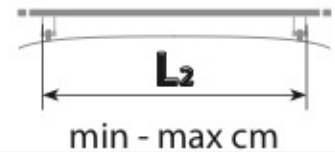
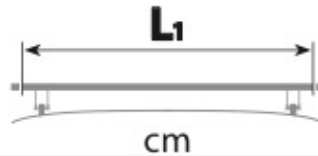


# NEW RAIL-TOP **STEEL**

**ACCIAIO - ACIER  
STAHL - ACERO**



Misura / Size  
Größe



Art. **N15029**



**108**

**72 - 100,5**

Art. **N15030**



**120**

**96 - 112,5**

Art. **N15031**



**127**

**103 - 119,5**

Art. **N15032**



**140**

**104 - 132,5**

Fig. 1



**S** Art. N15029 4,0Kg.

**M** Art. N15030 4,5Kg.

**L** Art. N15031 5,5Kg.

**XL** Art. N15032 6,0Kg.



TESTATO E CERTIFICATO  
TESTED AND APPROVED  
GEPRÜFT UND ZERTIFIZIERT



max: ???Kg.

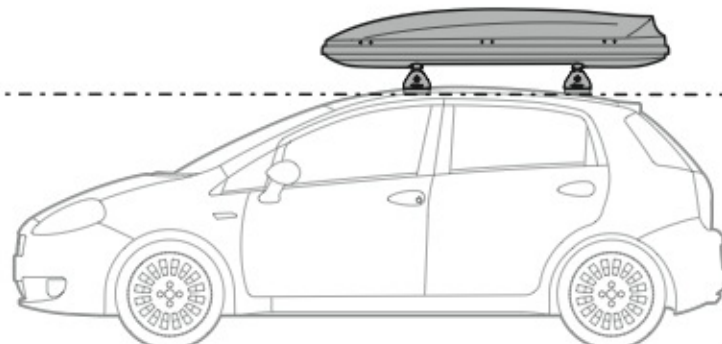
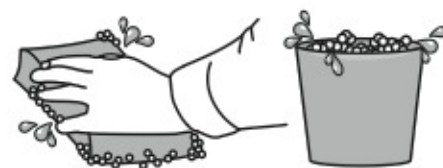


Fig. 2



Safety Regulations

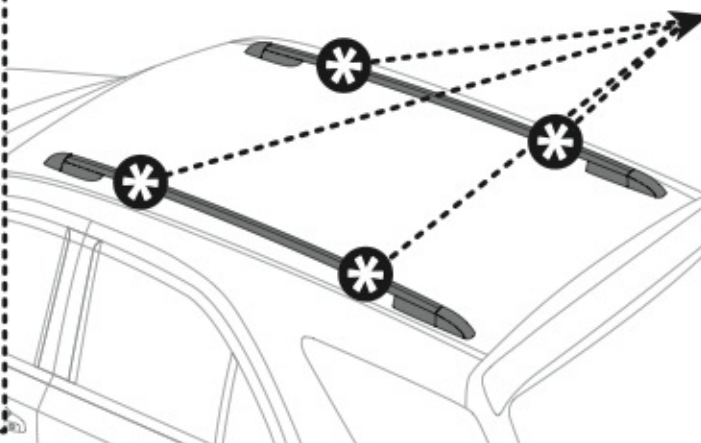


Fig. 3

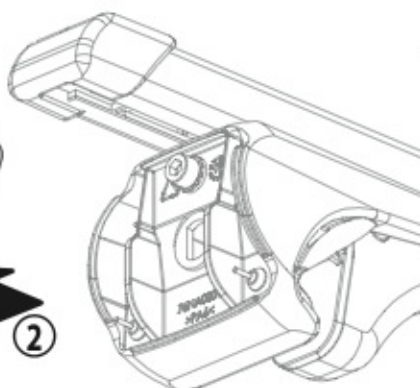
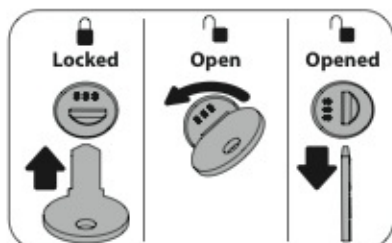


Fig. 4

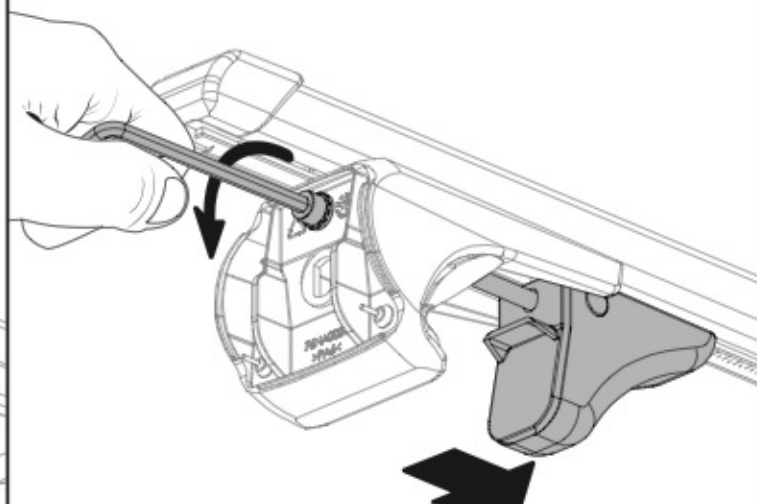


Fig.5

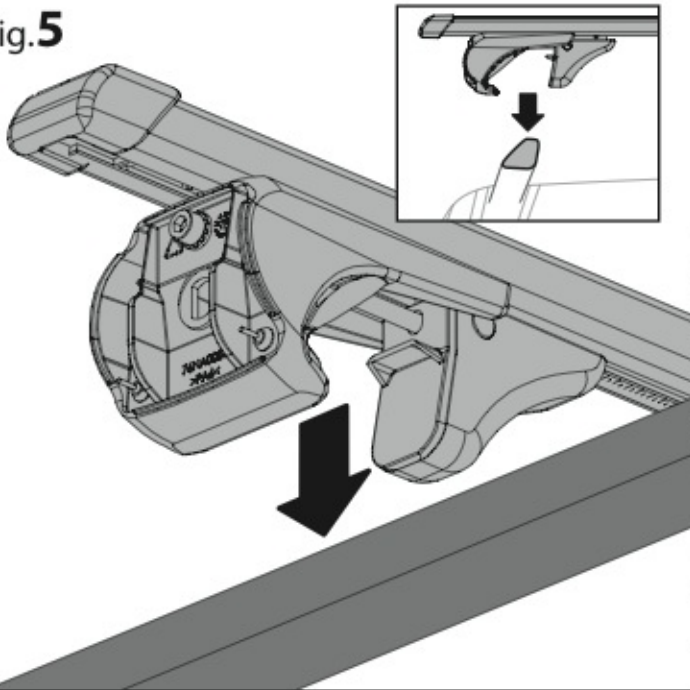


Fig.6

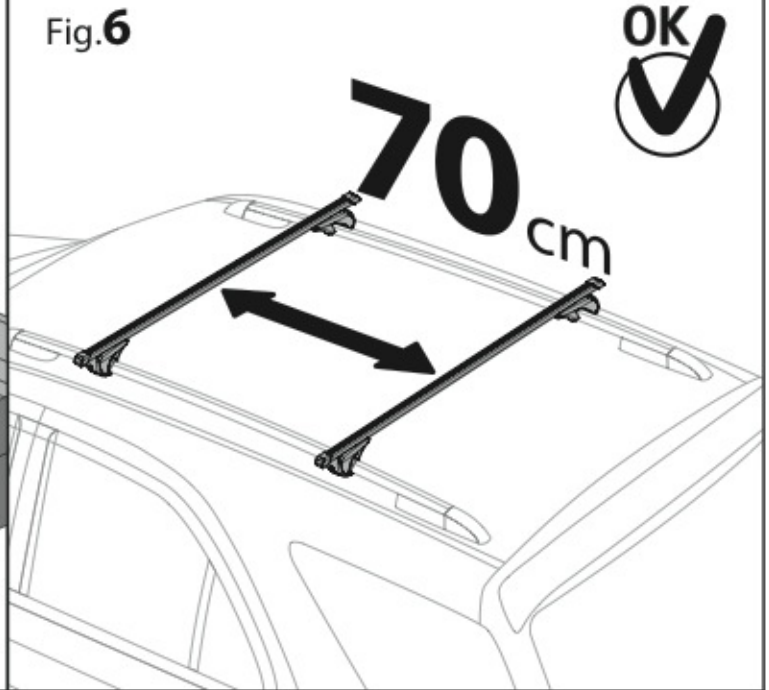


Fig.7

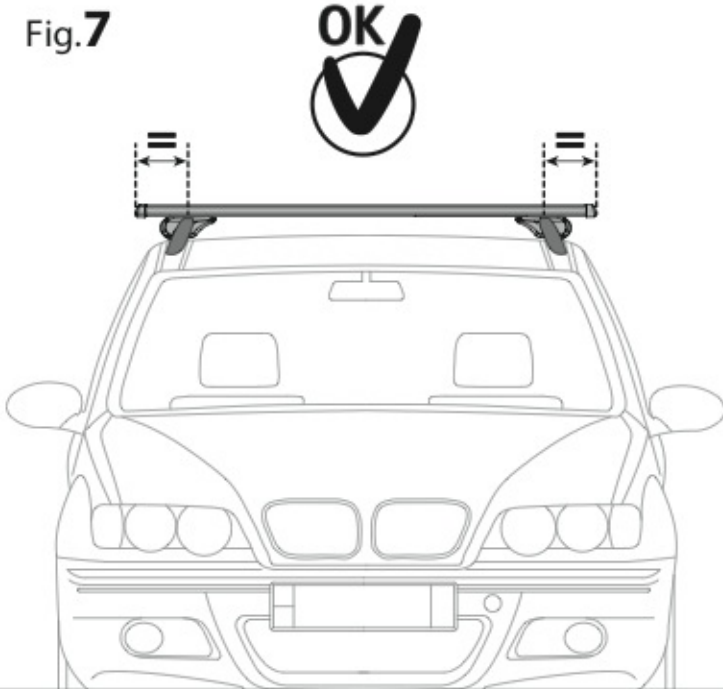


Fig.8

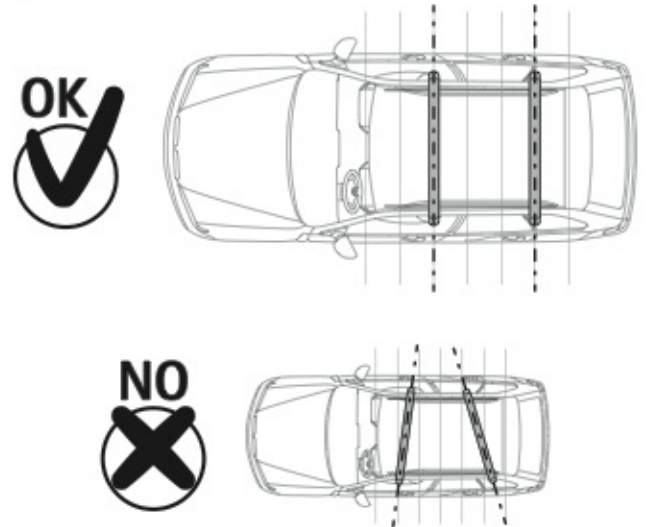


Fig.9

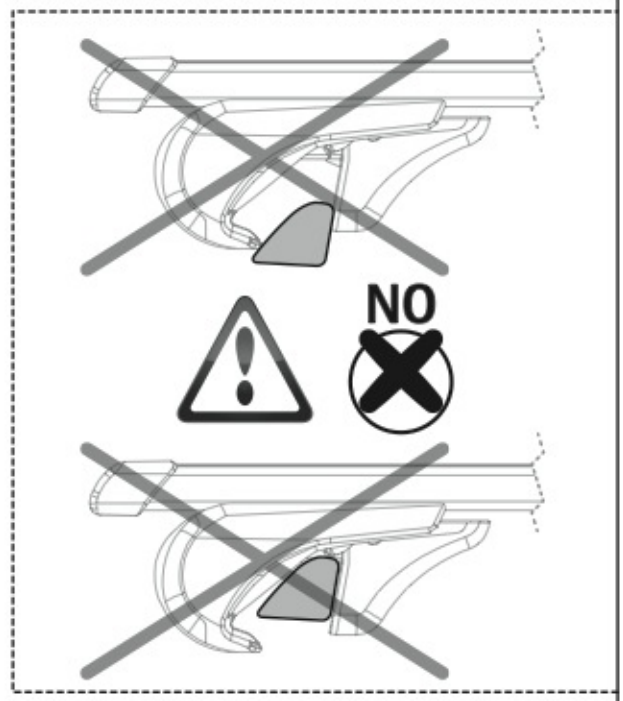
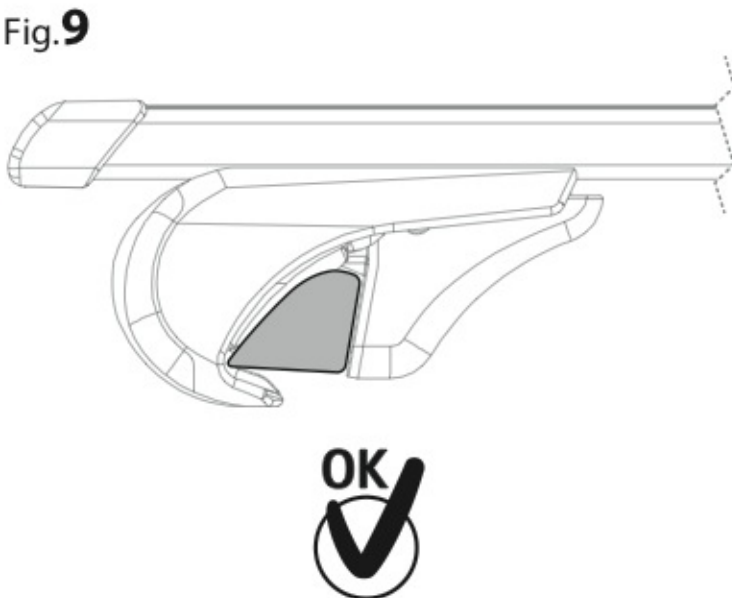


Fig. 10

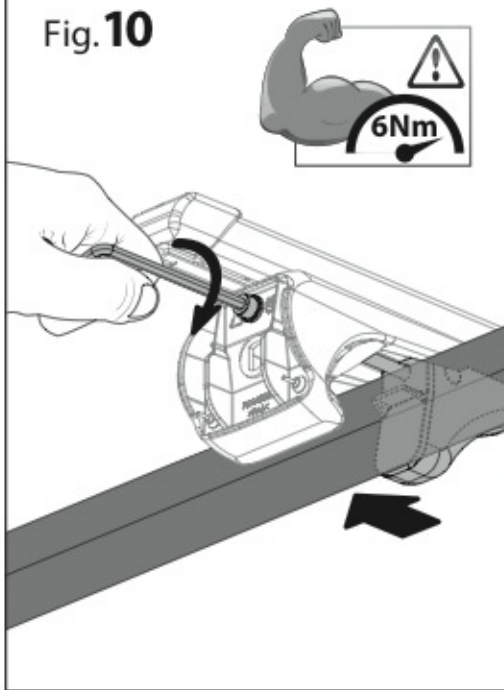


Fig. 11

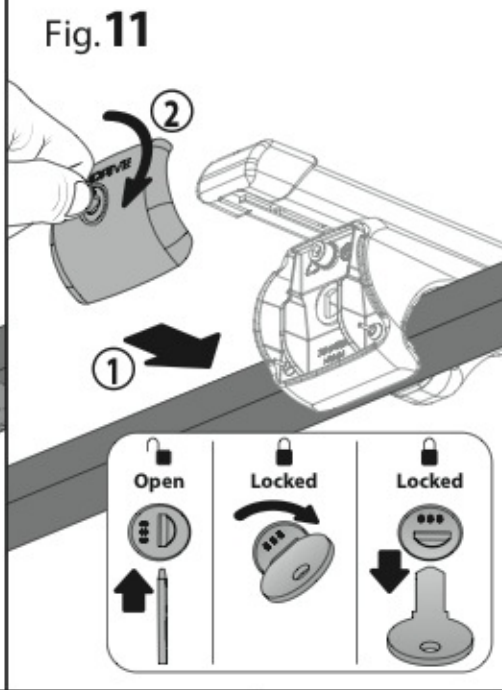


Fig. 12

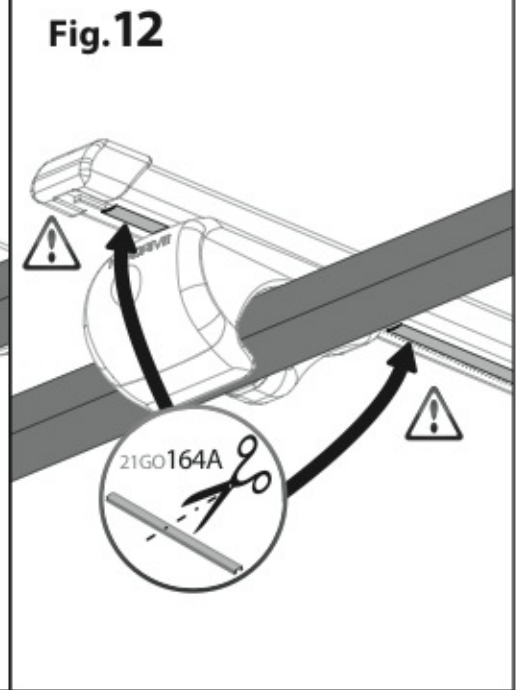


Fig. 13

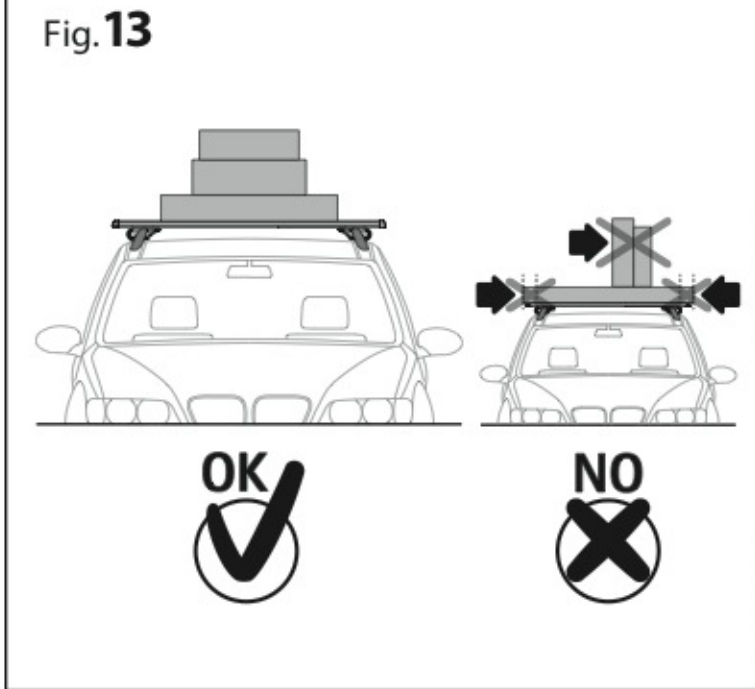
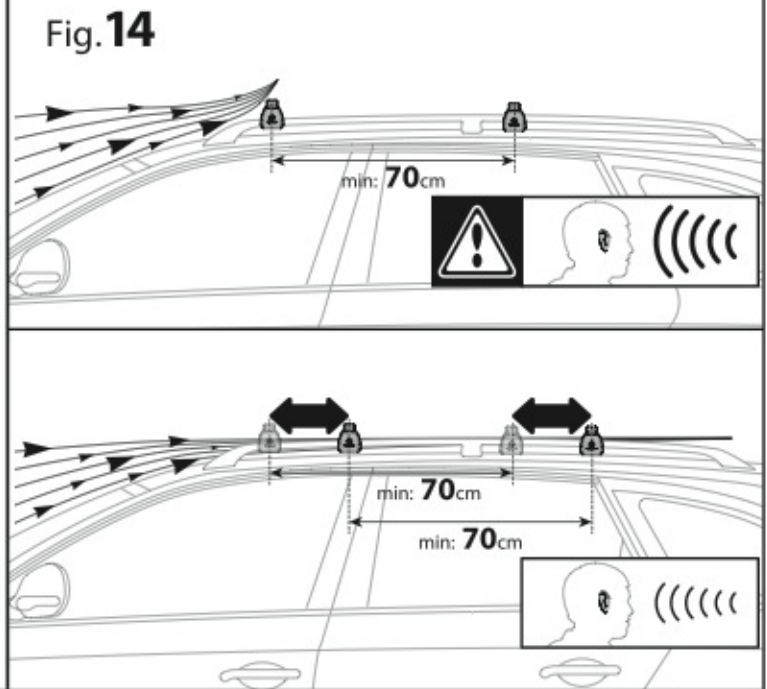


Fig. 14



**NORDRIVE**  
TRANSPORT SOLUTIONS

is a registered trademark of

**LAMPA S.p.A.**

46019 Viadana (MN) ITALY

Ditta certificata UNI ENI ISO 9001:2008

[www.nordrive.it](http://www.nordrive.it) [www.lampa.it](http://www.lampa.it)