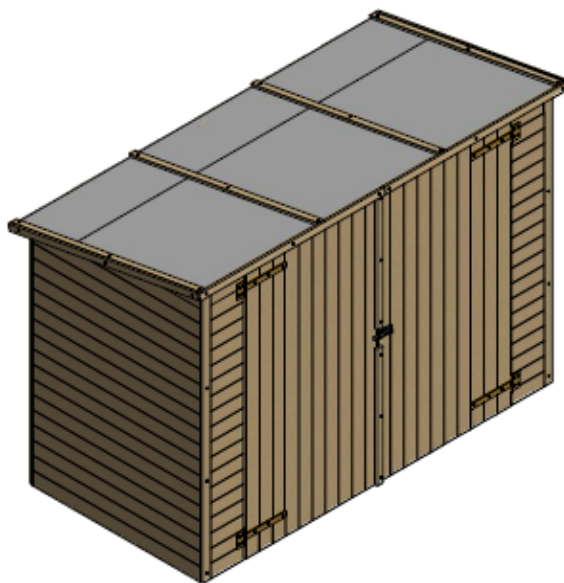


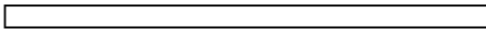
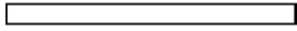
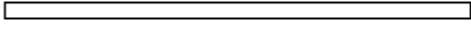

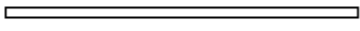

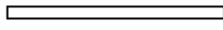










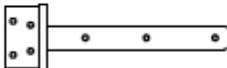
ISTRUZIONI DI MONTAGGIO

ARMADIO RIPOSTIGLIO IN PINO – COD. 365165

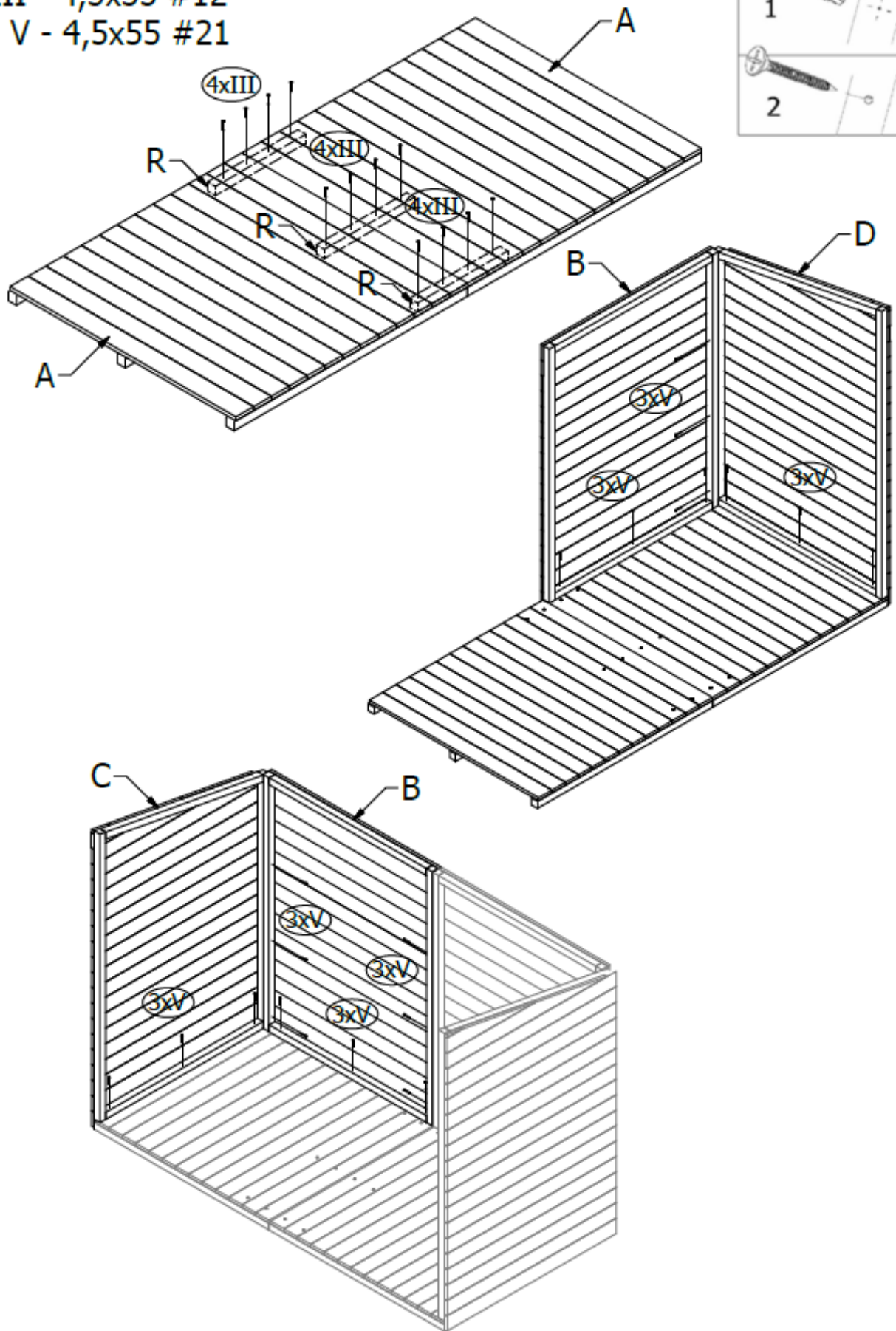
DIM. 220X120X140/158H CM



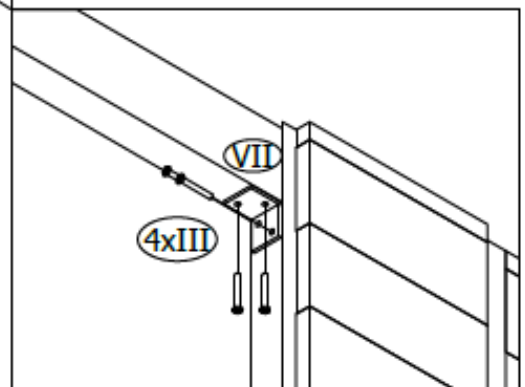
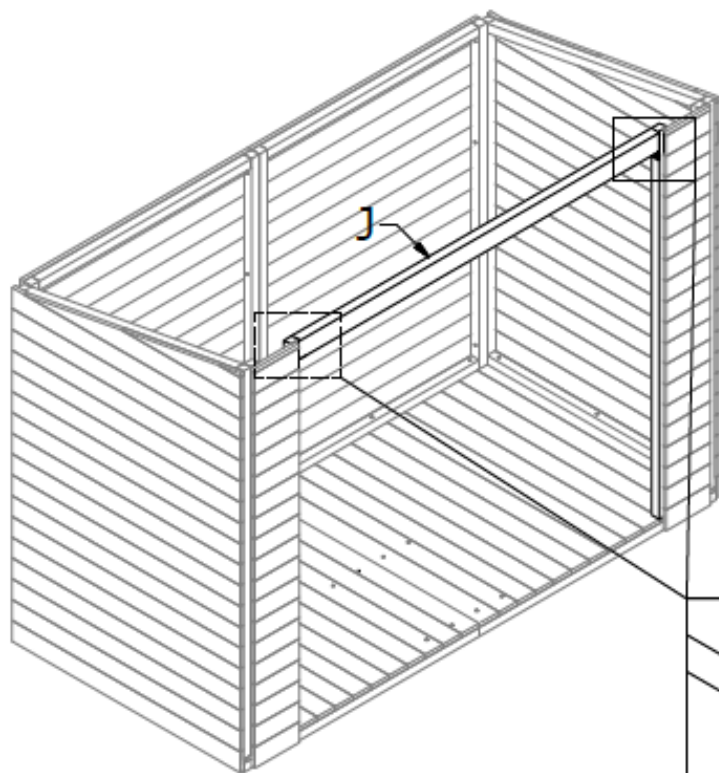
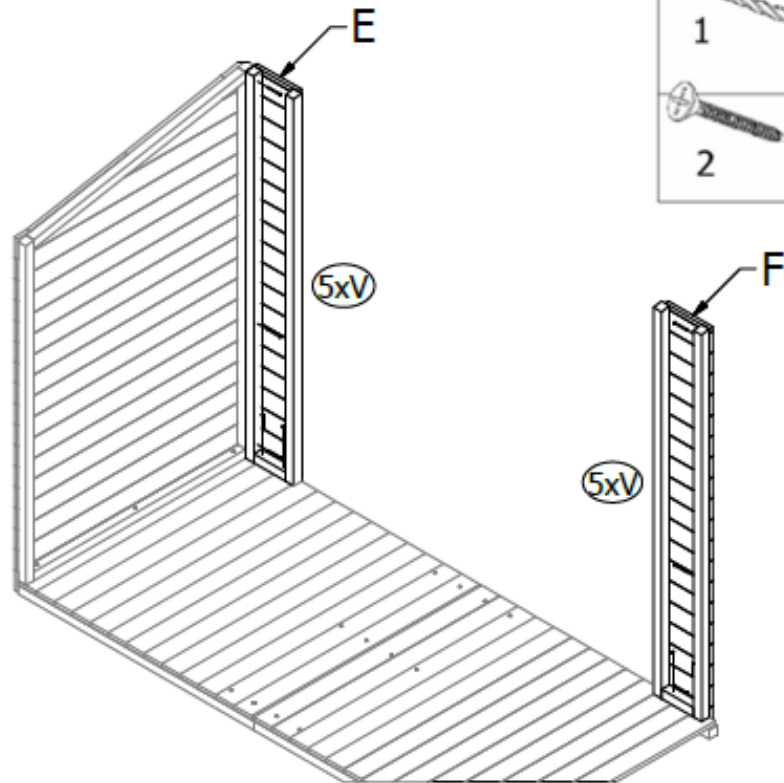
NR	MISURE	PZ	IMMAGINE
A	1000 x 1035	2	A diagram showing two vertical slatted panels, one above the other, representing the main body panels of the wardrobe.
B	1000 x 1320	2	A diagram showing two vertical slatted panels, one above the other, with a wider top section, representing the upper part of the wardrobe.
C	1000 x 1510	1	A diagram showing a single vertical slatted panel with a wider top section, representing the upper part of the wardrobe.
D	1000 x 1510	1	A diagram showing a single vertical slatted panel with a wider bottom section, representing the lower part of the wardrobe.
E	210 x 1510	1	A diagram showing a horizontal slatted panel, representing a shelf or a decorative element.
F	210 x 1510	1	A diagram showing a horizontal slatted panel with a different profile, representing another shelf or decorative element.
G	800 x 1470	2	A diagram showing two horizontal slatted panels, one above the other, representing the back panel of the wardrobe.
H	1150 x 730	3	A diagram showing a rectangular panel, representing a door or a decorative element.

NR	MISURE	PZ	IMMAGINE
J	35 x 70 x 1580	1	
K	35 x 70 x 946	2	
L	16 x 50 x 1510	2	
M	16 x 50 x 1320	3	
N	16 x 35 x 1150	6	
O	16 x 35 x 1110	2	
P	16 x 50 x 710	2	
R	35 x 35 x 400	3	
I	VITI 4,0 x 16	12	
II	VITI 4,0 x 25	50	
III	VITI 4,5 x 35	40	
IV	VITI 4,5 x 45	20	
V	VITI 4,5 x 55	31	
VI	VITI 4,5 x 70	8	
VII	ANGOLARI 30 x 30	2	
VIII	CHIAVISTELLO	2	
IX	GUAINA	2	
X	CERNIERA	4	

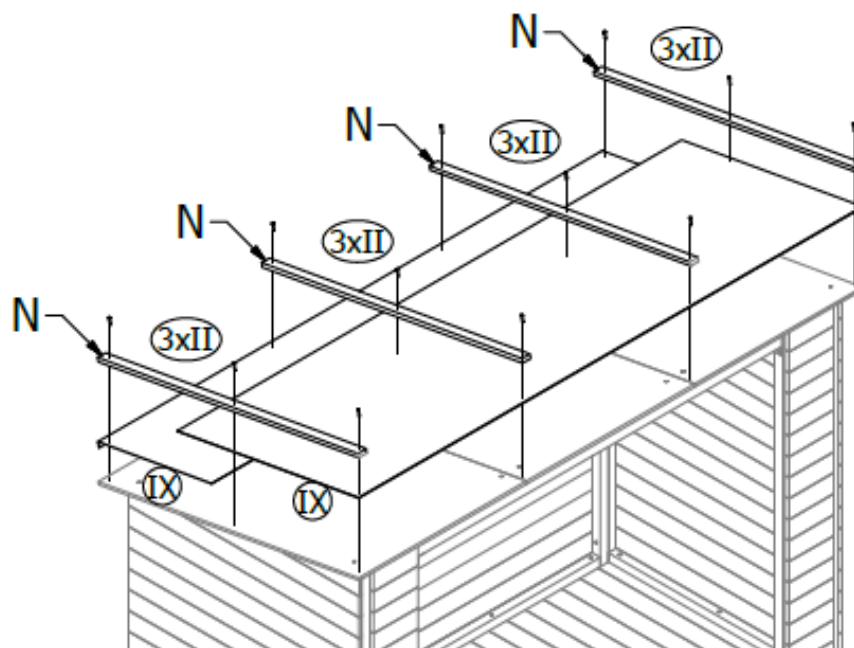
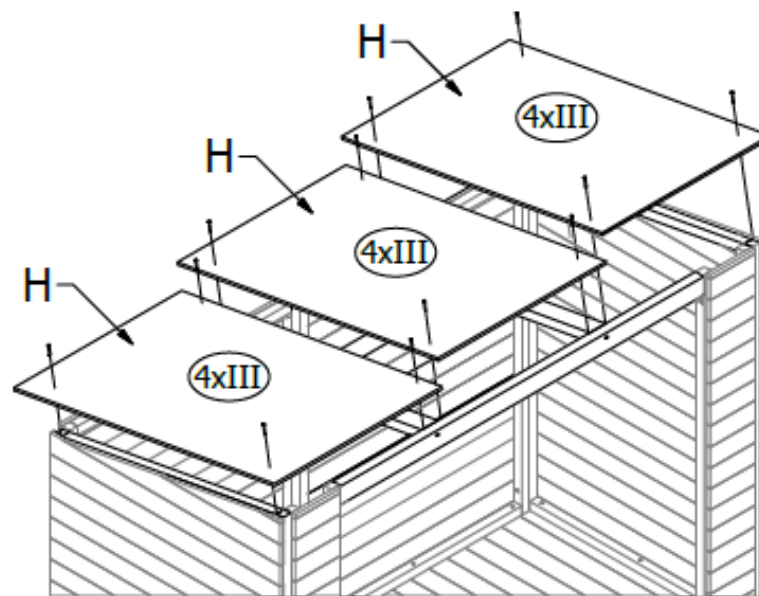
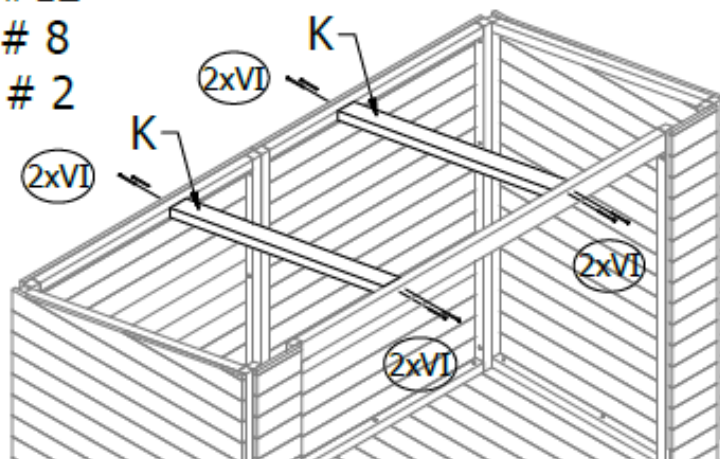
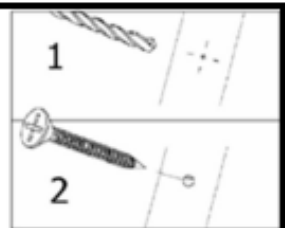
III - 4,5x35 #12
V - 4,5x55 #21



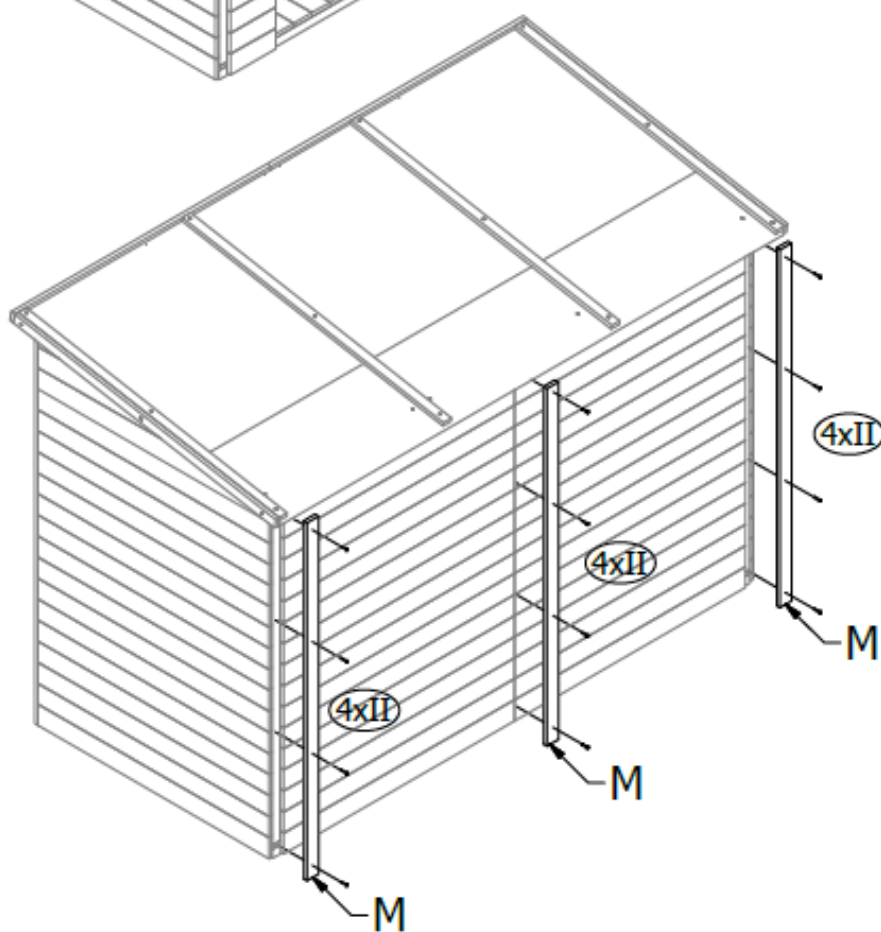
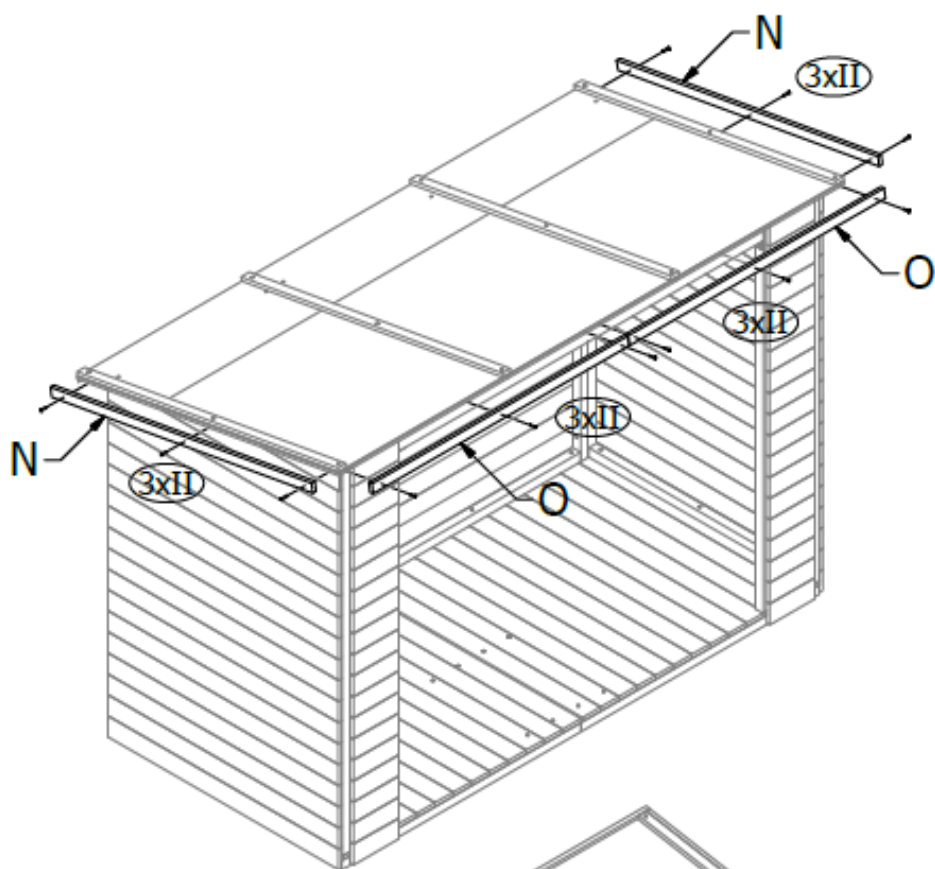
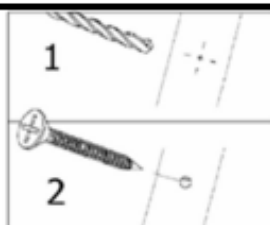
III - 4,5x35 #8
V - 4,5x55 #10
VII - 30x30 #2



- II - 4,0x25 #12
- III - 4,5x35 #12
- VIII - 4,5x70 # 8
- IX - GUAINA # 2



II - 4,0x25 #24



- I - 4,0x16 #12
- II - 4,0x25 #14
- III - 4,5x35 #8
- IV - 4,5x45 #20
- VIII - CHIAVISTELLO #2
- X - CERNIERA #4

