

NORDRIVE[®]
TRANSPORT SOLUTIONS

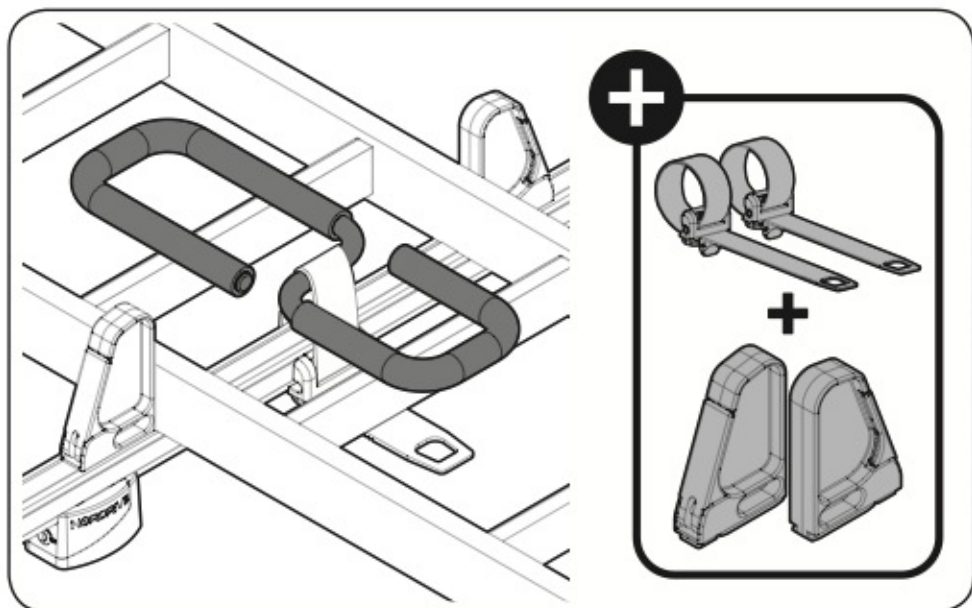
Art. **N11067**

U-6

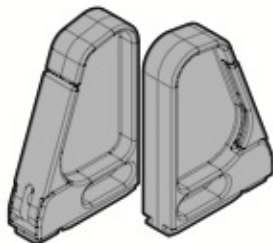
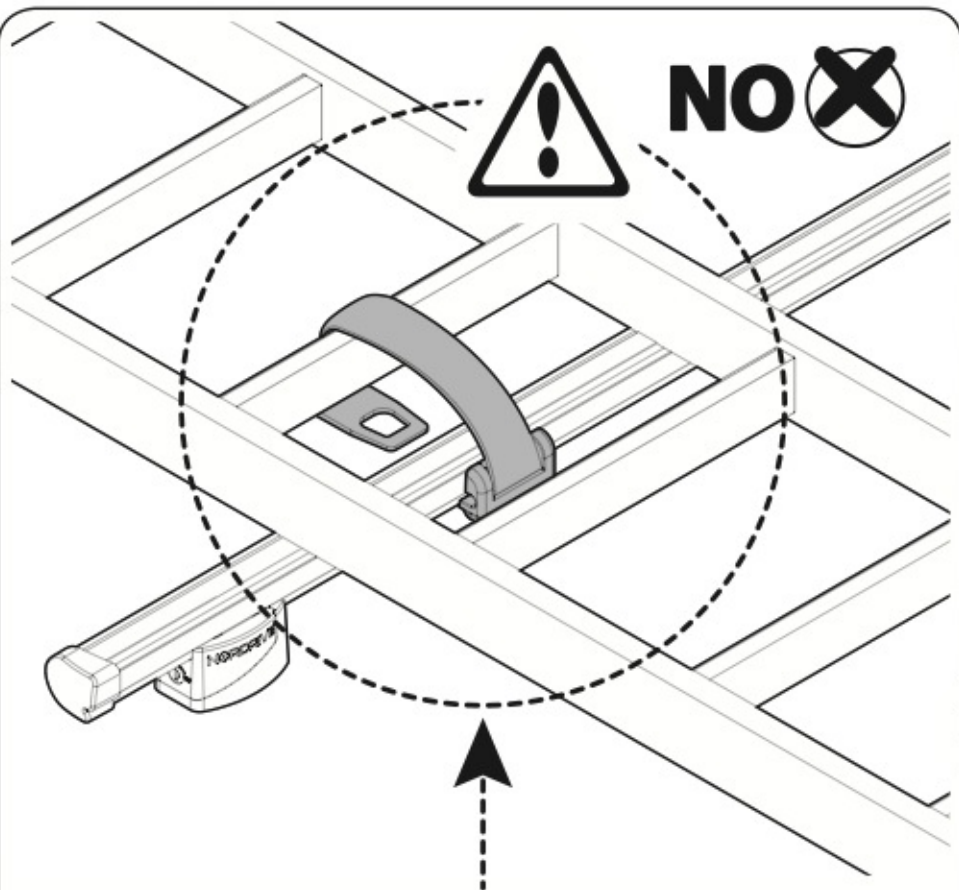
UNIVERSALE - UNIVERSAL



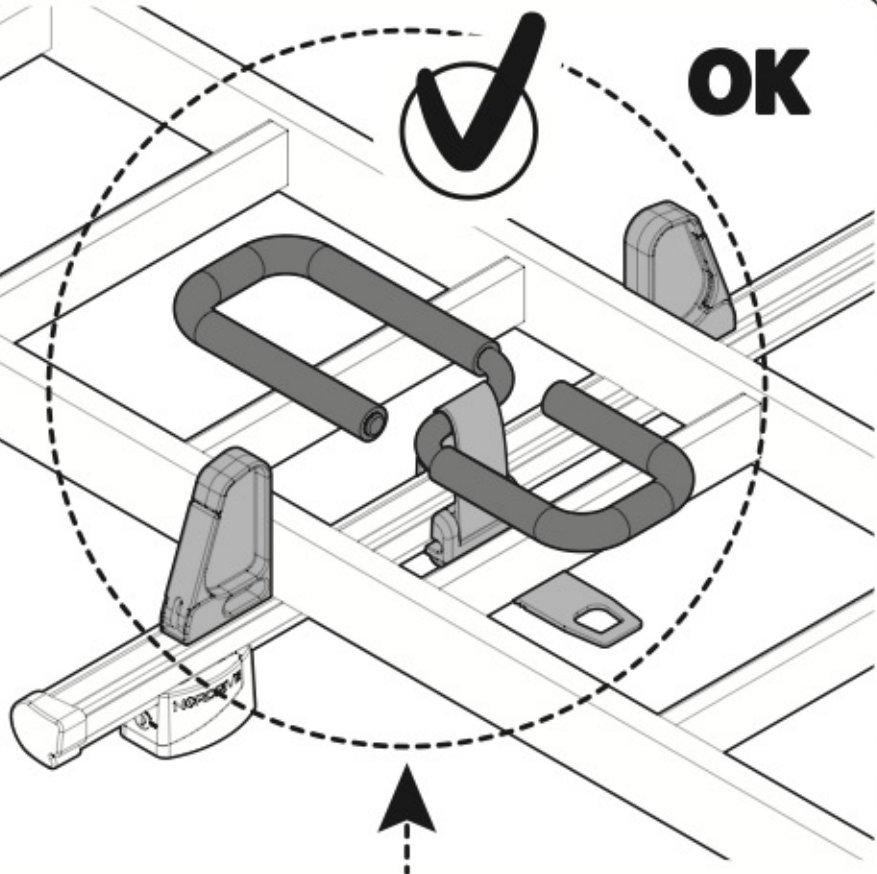
Kg. **0,8**



NO 



OK



+



+



**LADDER
STOPPER
BELTS**

N11065 U-5

LOAD STOPS

N11001 K-1

N11002 K-2

N11031 KP-1

N11032 KP-2

NORDRIVE®

TRANSPORT SOLUTIONS

**NORDRIVE® is a registered trademark of
LAMPA S.p.A.**

Via G. Rossa 53/55, 46019 Viadana (MN) ITALY
Tel. +39 0375 820700
UNI EN ISO 9001:2008 Certified Company

**www.nordrive.it
www.lampa.it**