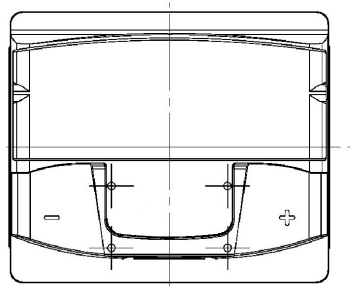
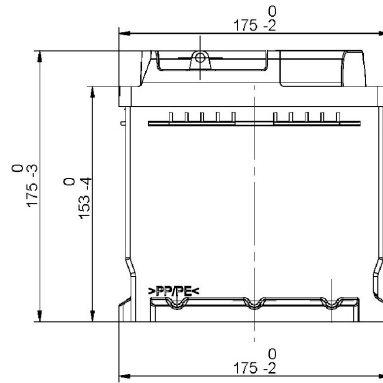
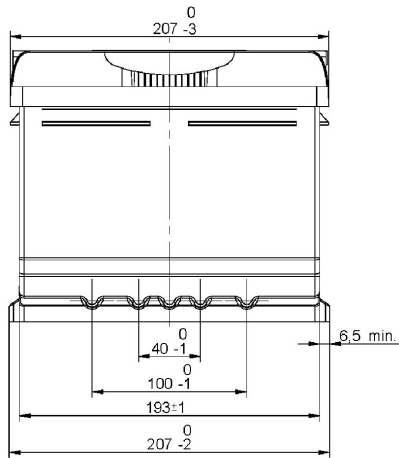


Central Article Code: LB1046C02-A  
 Local Code: TA472

Created: 11/11/2013  
 Modified: 20/12/2018



Final Outlook: LB102-A  
 Approval date: 15/02/2014

## PERFORMANCES

Voltage (V): 12 V  
 C20 (Ah): 47.0      20 h  
 Cranking (A): 450      EN  
 Charge: WET  
 Technology: Vented/Flooded  
 Grid: Ca/Ca

## STD. DIMENSIONS

Length (mm ± 2): 207  
 Width (mm ± 2): 175  
 Height (mm ± 2): 175  
 Total Weight (kg ± 5%): 11.40

All figures show nominal values. Tolerances are according to EN50342 and applicable European Regulations.

## CONTAINER

Type: LB1      GREY DARK  
 Hold Down: B13  
 H.D. Adapter: No

## COVER

Type: Double with Rigi GREY DARK  
 Polarity: ETN 0  
 Terminals: EN taper post  
 Terminal Adapter: No  
 SOCI: No  
 Ventilation: Central  
 Filter: 2 Filters  
 Lateral Plug: Standard    Right side    BLACK shape

## PLUGS

Type: 1 x Vent Seale      GREY DARK

## HANDLES

Type: 1 x PSL AM      GREY DARK

## OTHERS

Degassing Tube: No