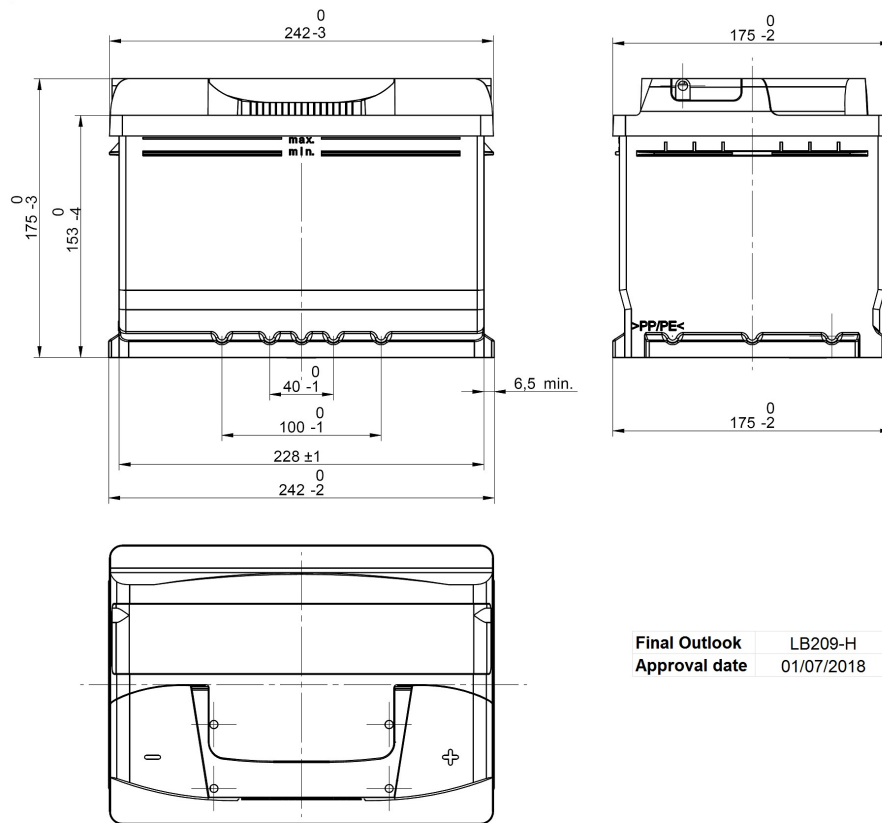


Central Article Code: LB2054C09-H
 Local Code: TB602

Created: 10/05/2018
 Modified: 23/04/2019



Final Outlook LB209-H
 Approval date 01/07/2018

PERFORMANCES		CONTAINER	
Voltage (V):	12 V	Type:	LB2 BLACK
C20 (Ah):	60.0 20 h	Hold Down:	B13
Cranking (A):	540 EN	H.D. Adapter:	No
Charge:	WET	COVER	
Technology:	Vented/Flooded	Type:	NPR BLACK
Grid:	Ca/Ca	Polarity:	ETN 0
		Terminals:	EN taper post
		Terminal Adapter:	No
		SOCI:	No
		Ventilation:	Central
		Filter:	2 Filters
		Lateral Plug:	Standard Right side BLACK shape
STD. DIMENSIONS		PLUGS	
Length (mm ± 2):	242	Type:	1 x NPR (Mani BLACK
Width (mm ± 2):	175	HANDLES	
Height (mm ± 2):	175	Type:	1 x NPR (Standard) BLACK
Total Weight (kg ± 5%):	12.90	OTHERS	
		Degassing Tube:	No

All figures show nominal values. Tolerances are according to EN50342 and applicable European Regulations.