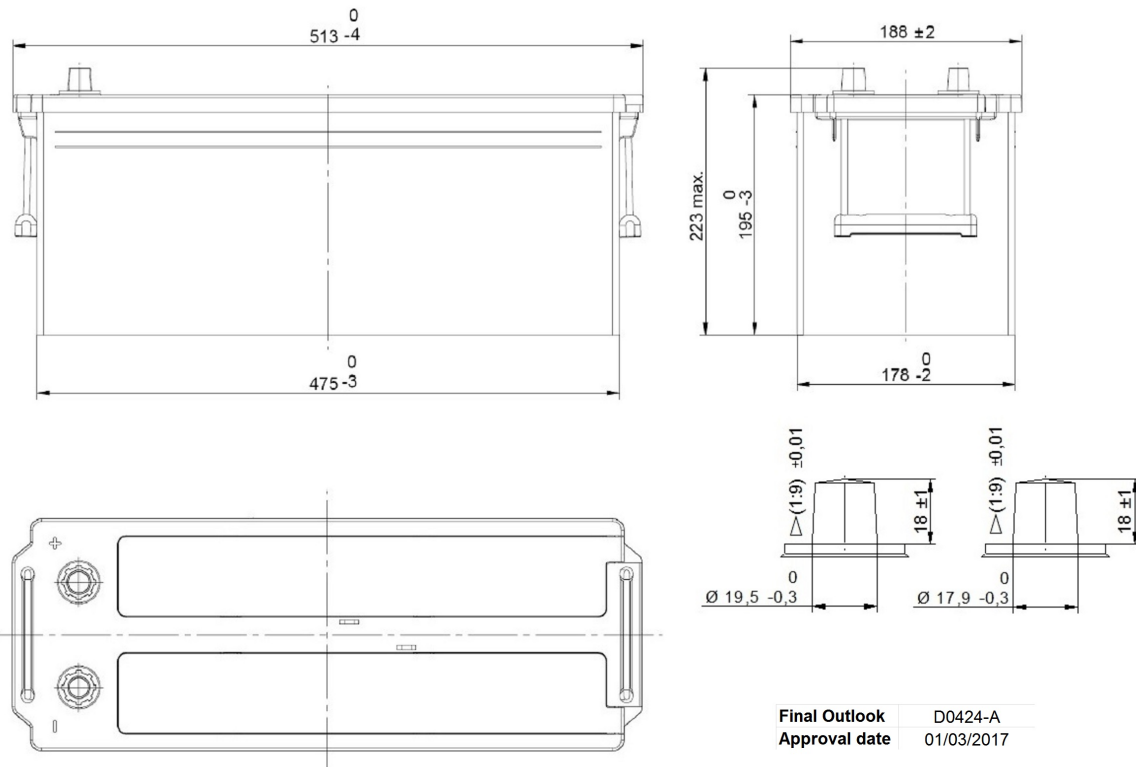


Central Article Code: D04082C24-A  
 Local Code: TE1403

Created: 05/02/2014  
 Modified: 20/12/2018



PERFORMANCES		CONTAINER	
Voltage (V):	12 V	Type:	D04 GREY MEDIUM
C20 (Ah):	140.0 20 h	Hold Down:	B0
Cranking (A):	800 EN	H.D. Adapter:	No
Charge:	WET	COVER	
Technology:	Vented/Flooded	Type:	Flat/Press GREY MEDIUM
Grid:	Ca/Ca	Polarity:	ETN 3
		Terminals:	EN taper post
		Terminal Adapter:	No
		SOCI:	No
		Ventilation:	Central
		Filter:	1 Filter per Vent
		Lateral Plug:	No
STD. DIMENSIONS		PLUGS	
Length (mm ± 2):	513	Type:	2 x VCL Vent GREY MEDIUM
Width (mm ± 2):	189	HANDLES	
Height (mm ± 2):	223	Type:	2 x Rope (Rigid holde BLACK
Total Weight (kg ± 5%):	38.20	OTHERS	
		Degassing Tube:	No

All figures show nominal values. Tolerances are according to EN50342 and applicable European Regulations.