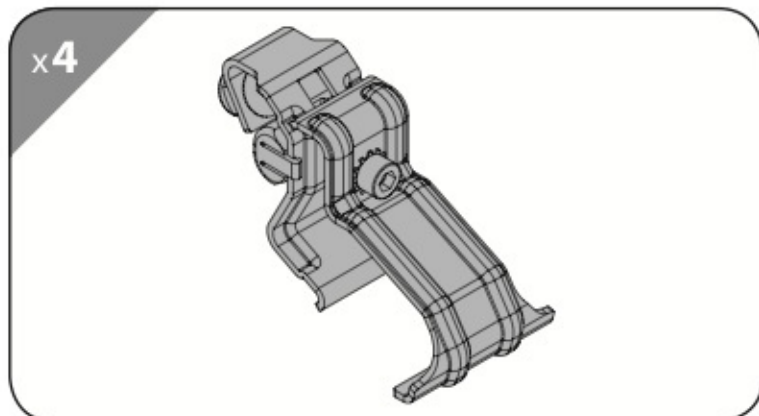


K 1 Art. N21411

K 2 Art. N21412

CLAMP-Kit

FLUSH RAILING



Ⓛ Per Ⓜ For Ⓧ Pour Ⓨ Für Ⓩ Para

SNAP SERIES

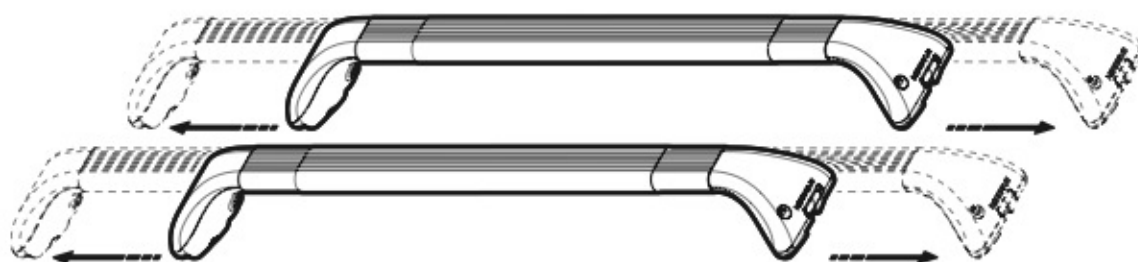
TELESCOPIC BARS

Acciaio / Steel / Acier / Stahl / Acero

N15010 - N15012 - N15014 - N15016

Alluminio / Aluminium / Aluminio

N15011 - N15013 - N15015 - N15017



TESTATO E CERTIFICATO

MAX
100 KG

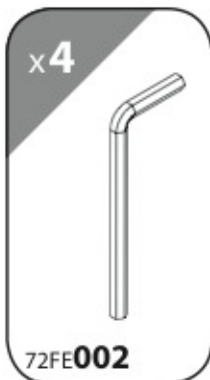
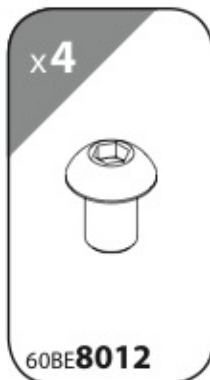
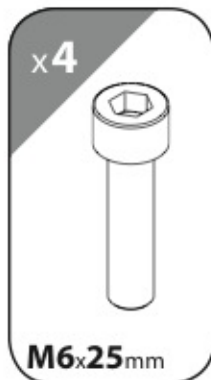
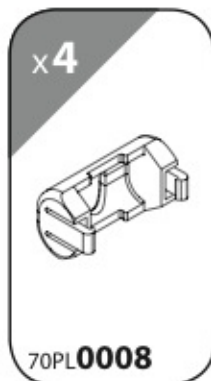
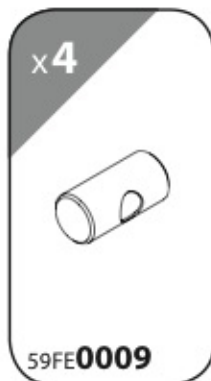
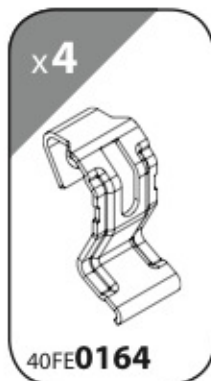


TESTED AND APPROVED - GEPRÜFT UND ZERTIFIZIERT



K 1
Art. **N21411**

K 2
Art. **N21412**



Ⓛ Per Ⓜ For Ⓧ Pour Ⓞ Für Ⓟ Para

x2

SNAP SERIES TELESCOPIC BARS

Acciaio / Steel / Acier / Stahl / Acero

Art. **N15010** 5,5 Kg.

Art. **N15012** 7 Kg.

Art. **N15014** 5,5 Kg.

Art. **N15016** 7 Kg.

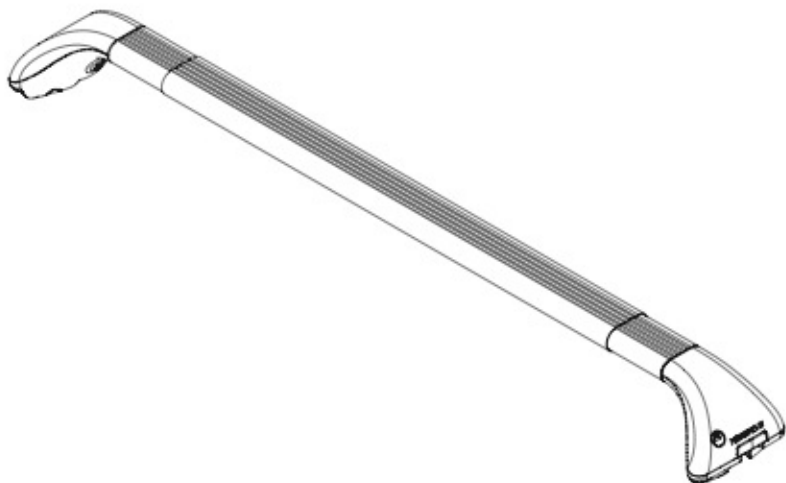
Alluminio / Aluminium / Aluminio

Art. **N15011** 3,5 Kg.

Art. **N15013** 4 Kg.

Art. **N15015** 3,5 Kg.

Art. **N15017** 4 Kg.



1



MAX
100 KG



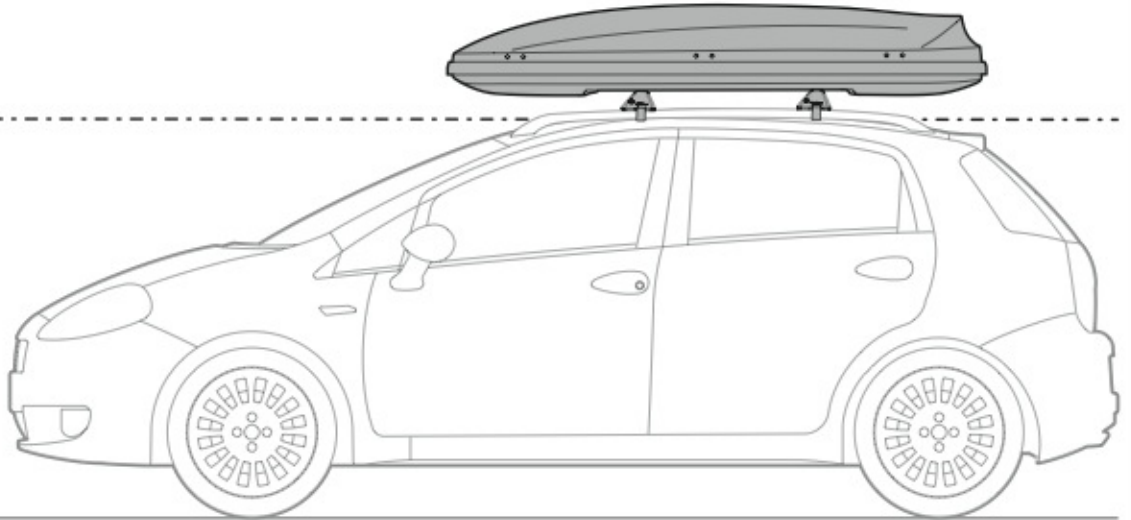
TESTATO E CERTIFICATO
TESTED AND APPROVED
GEPRÜFT UND ZERTIFIZIERT

1

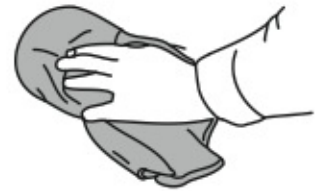
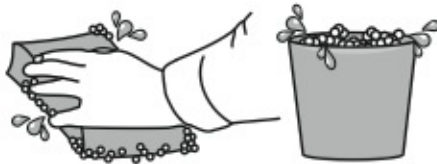
2



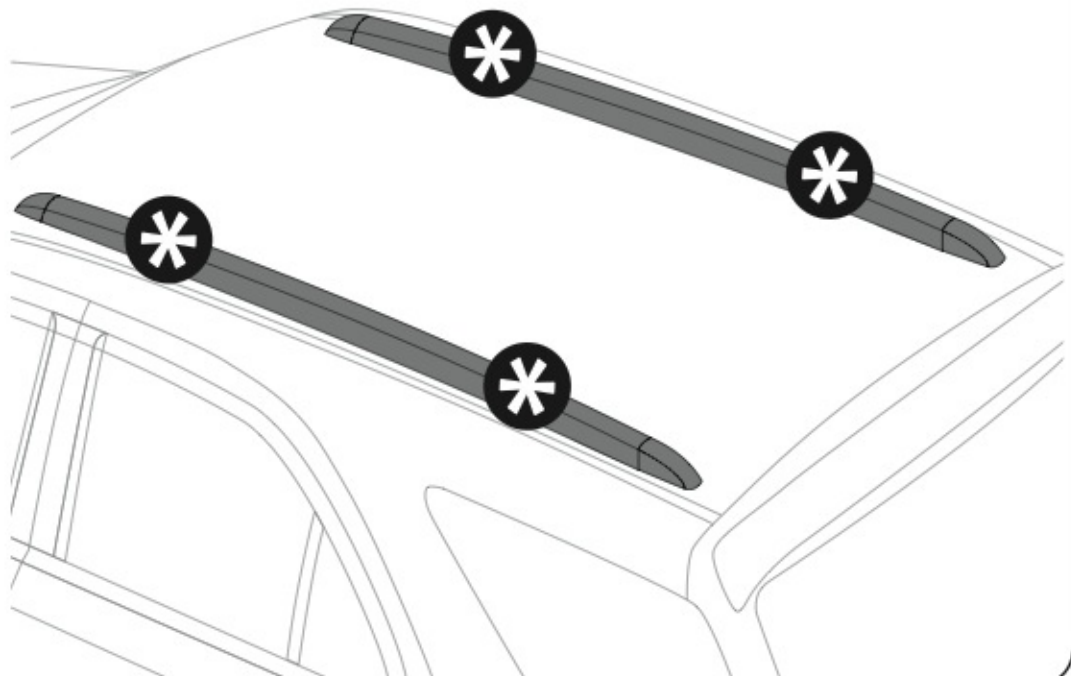
max:
??? Kg.

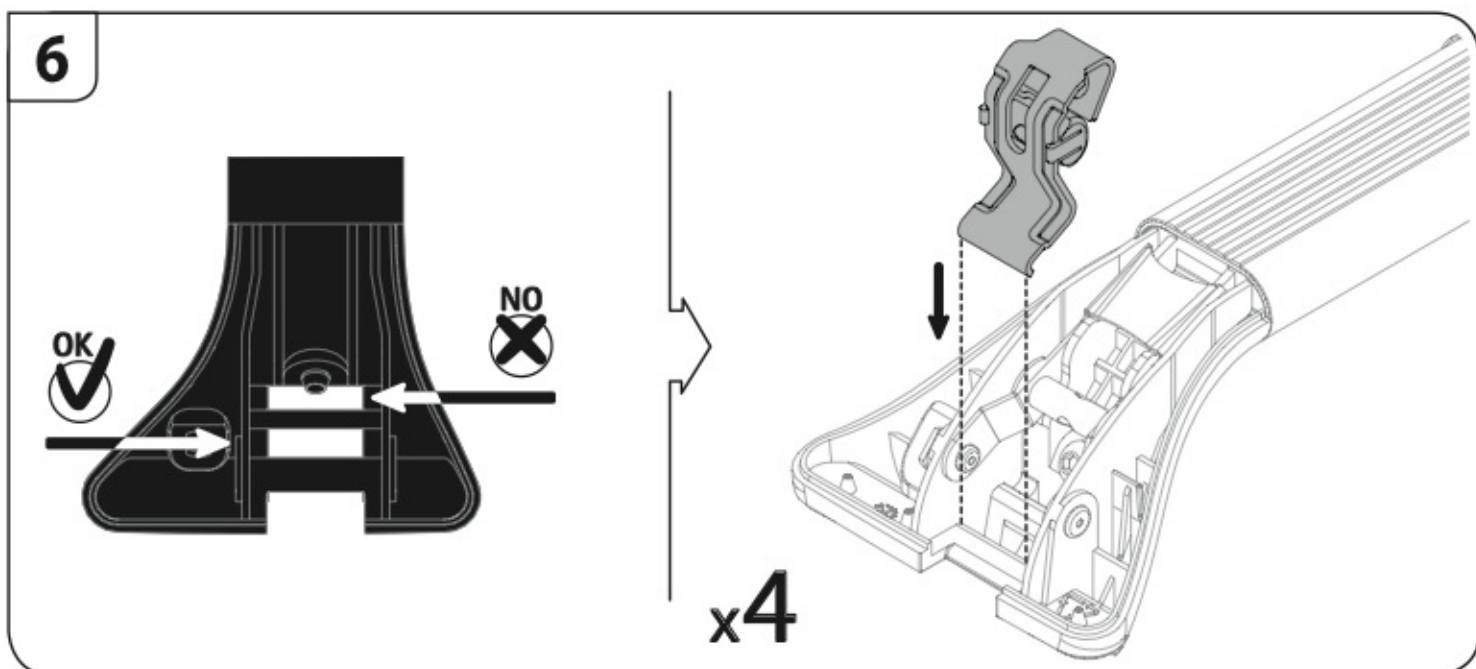
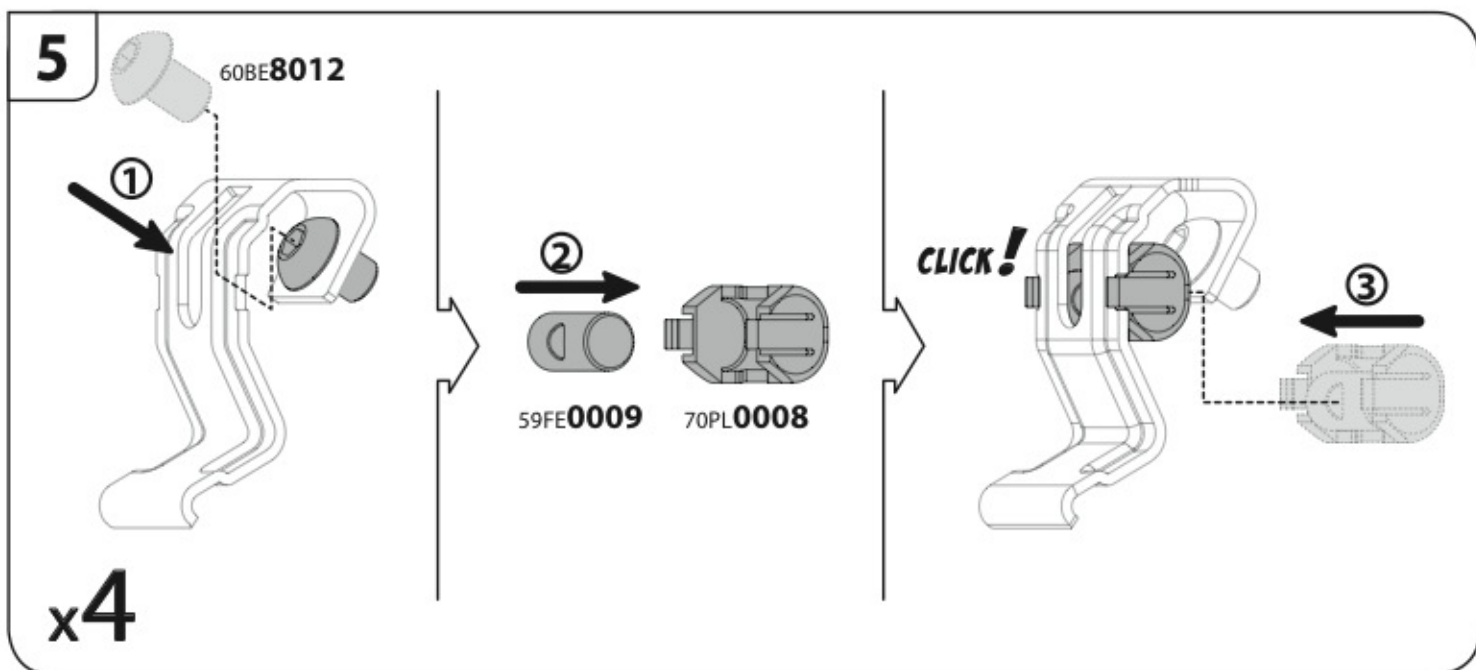
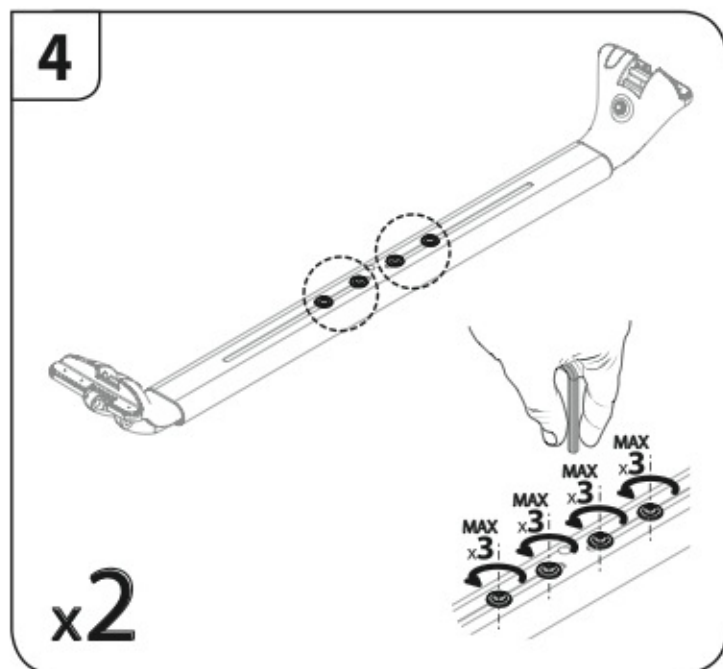
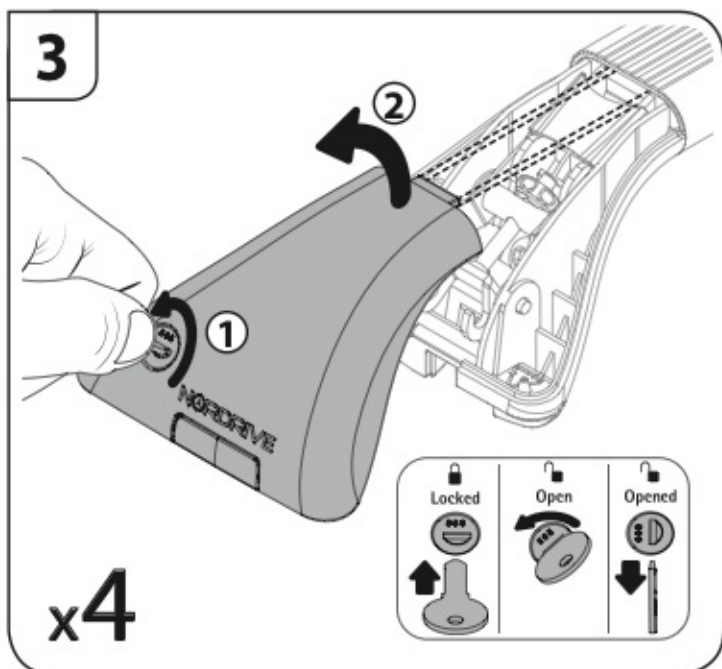


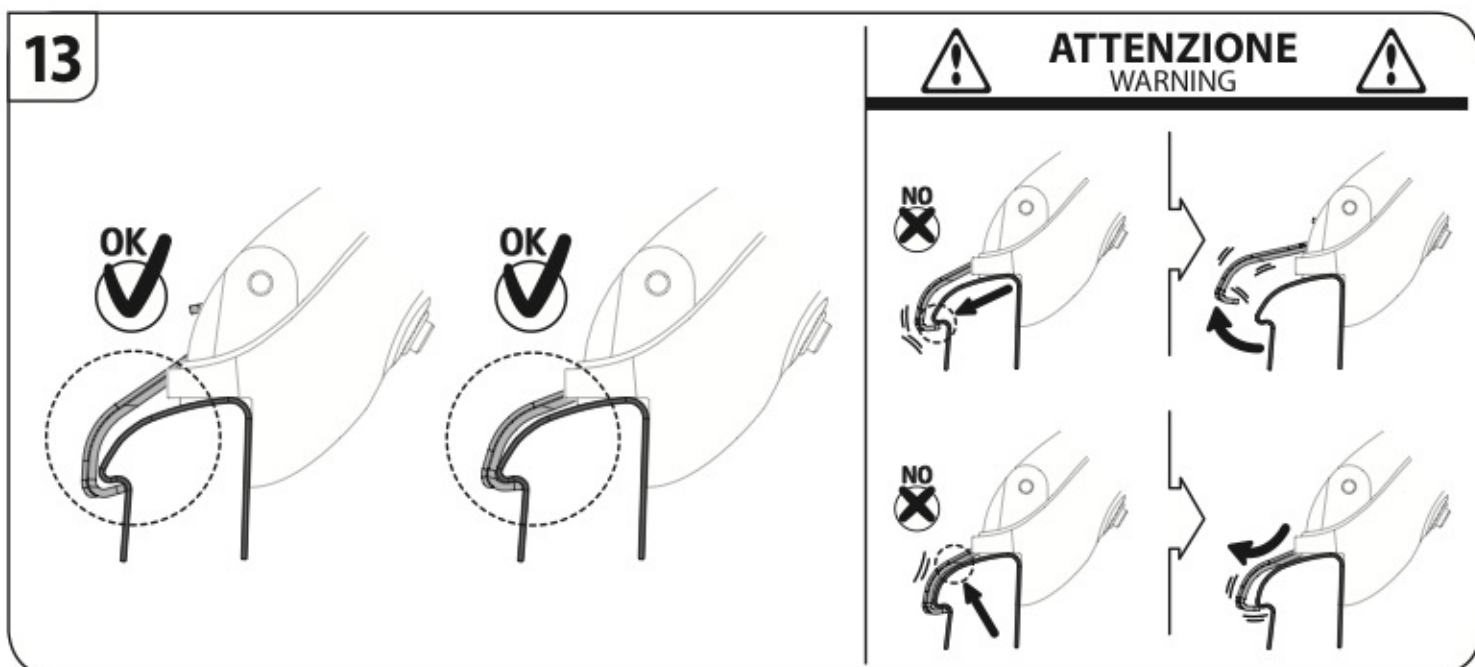
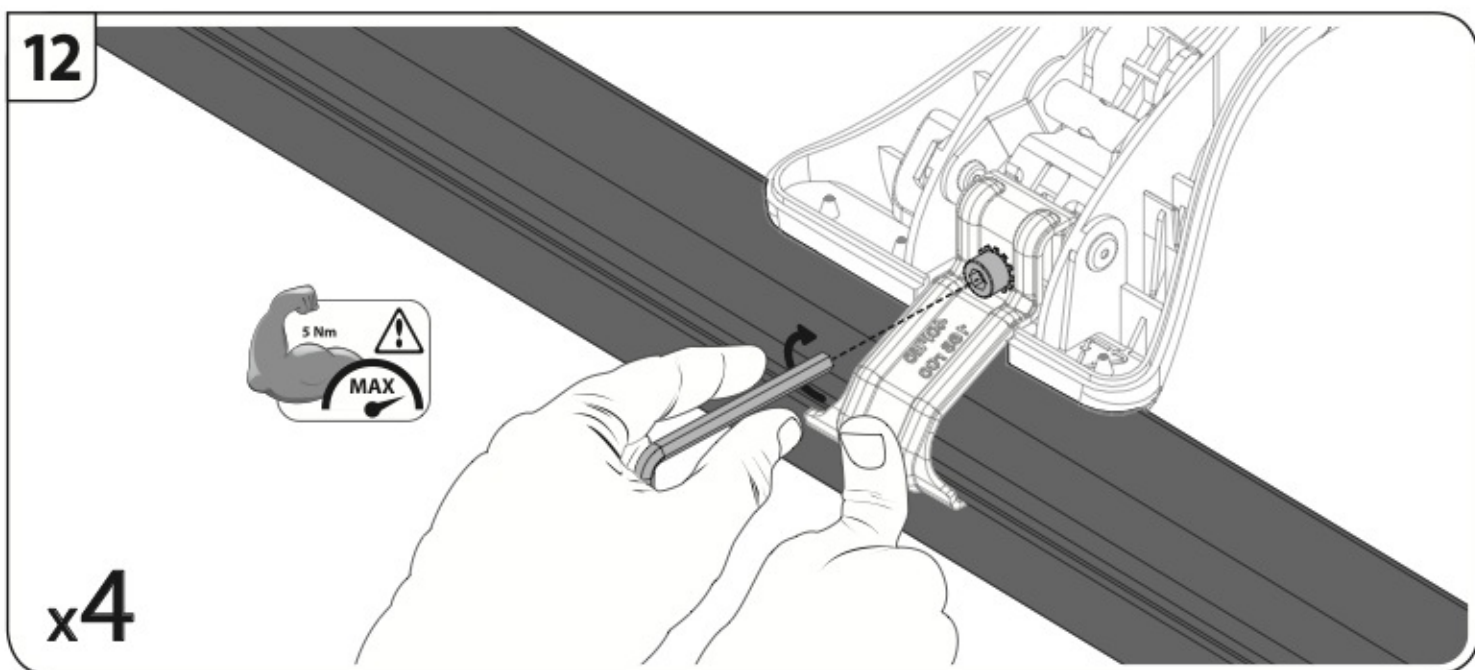
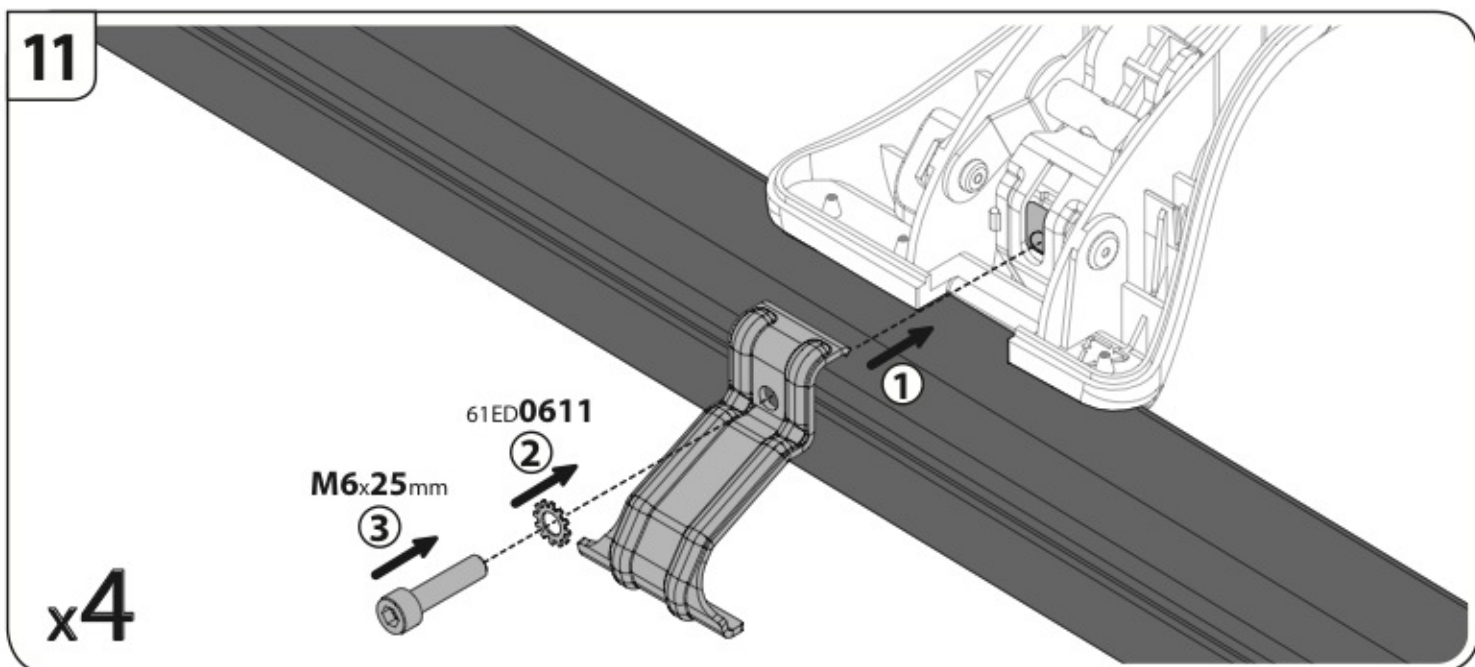
2

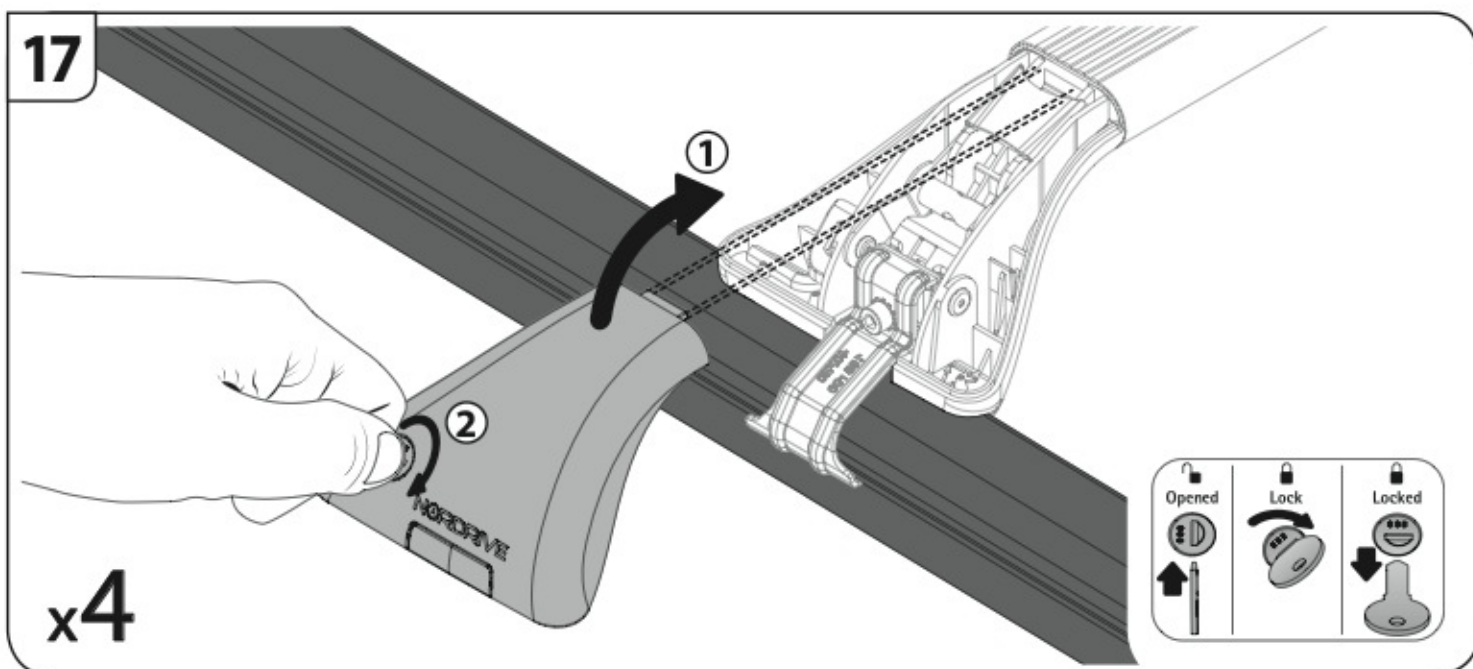
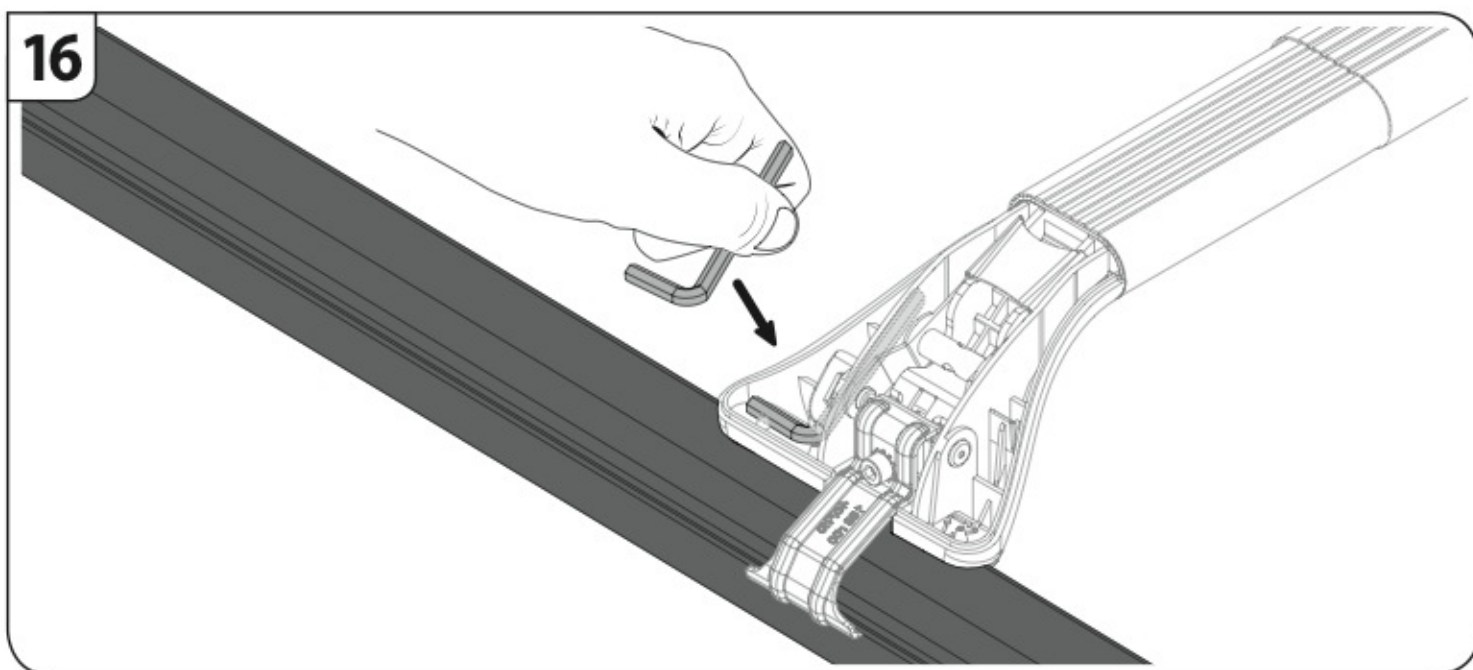
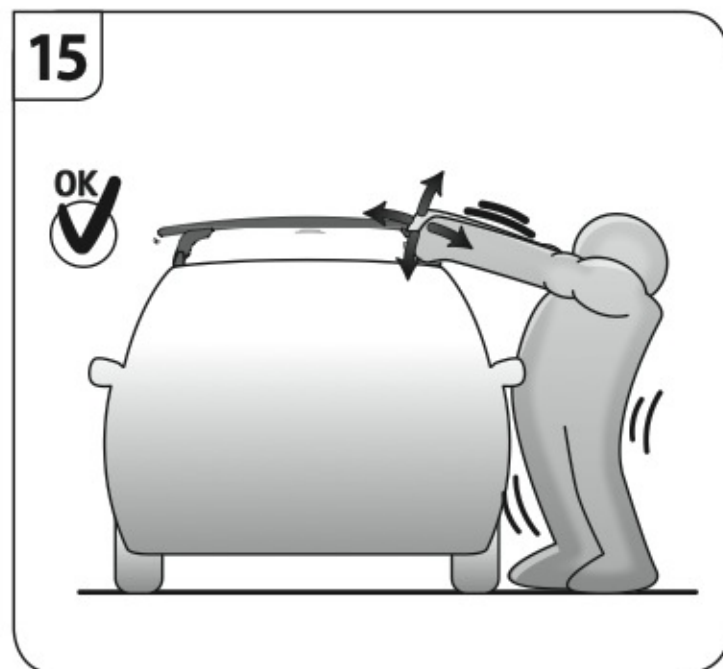
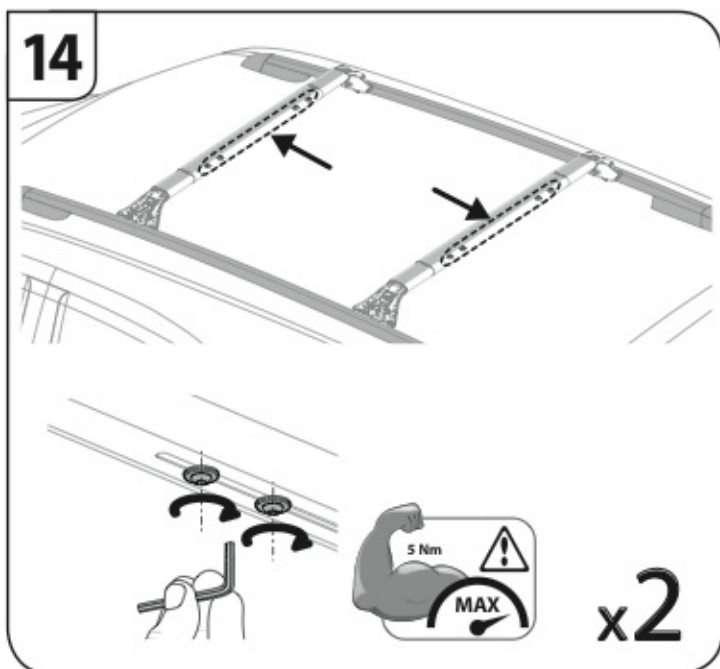


Safety Regulations





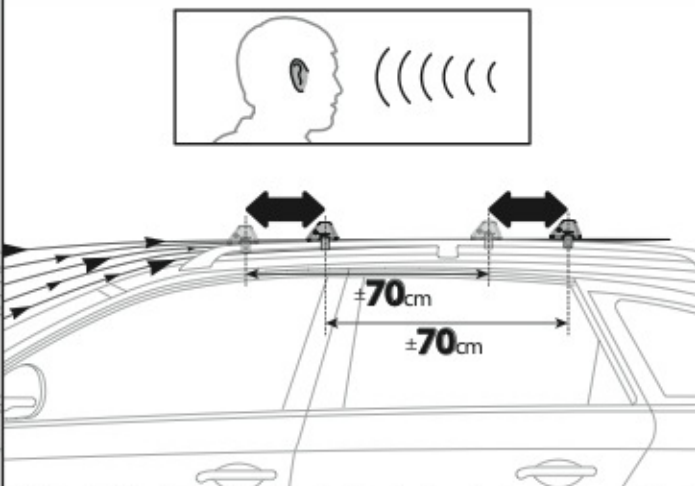
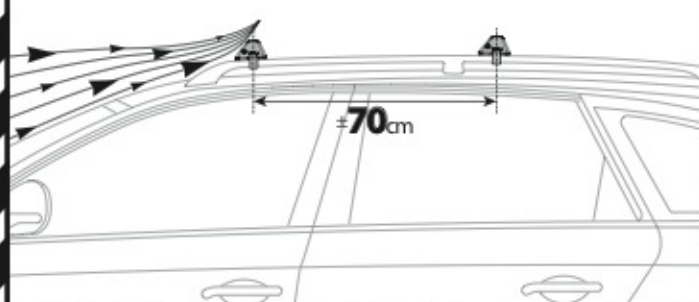
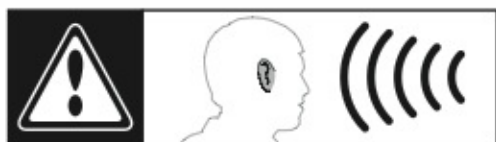
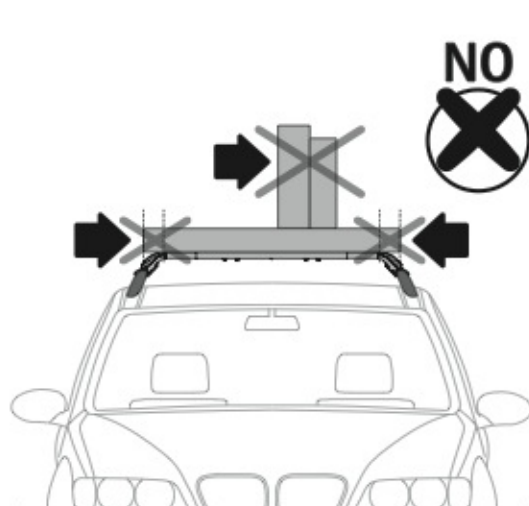






ATTENZIONE

WARNING



NORDRIVE[®]
TRANSPORT SOLUTIONS

is a registered trademark of

LAMPA S.p.A.

46019 Viadana (MN) ITALY
Ditta certificata UNI ENI ISO 9001:2008

www.nordrive.it www.lampa.it