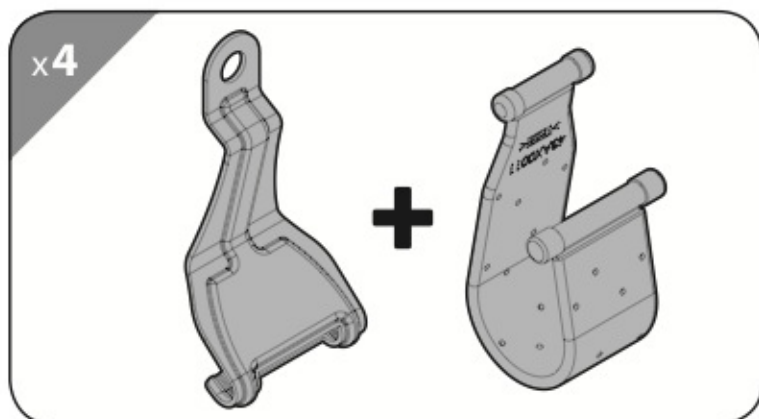


F 2 Art. N21402

F 3 Art. N21403

FIT-Kit

STANDARD RAILING



Ⓘ Per ⒼⒹ For Ⓕ Pour Ⓓ Für Ⓔ Para

SNAP SERIES

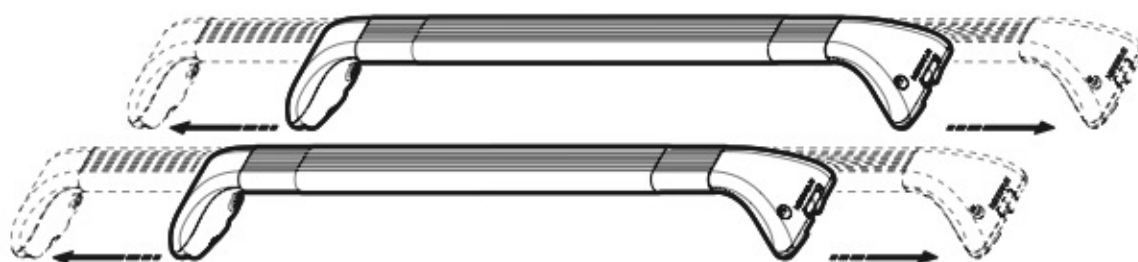
TELESCOPIC BARS

Acciaio / Steel / Acier / Stahl / Acero

N15010 - N15012 - N15014 - N15016

Alluminio / Aluminium / Aluminio

N15011 - N15013 - N15015 - N15017



TESTATO E CERTIFICATO

MAX
100 KG

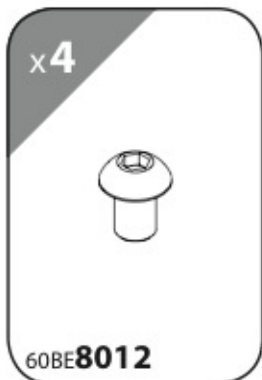
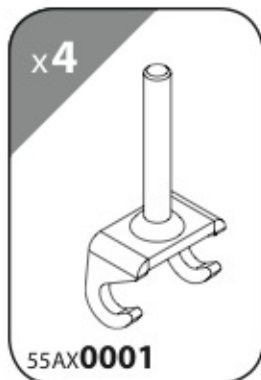
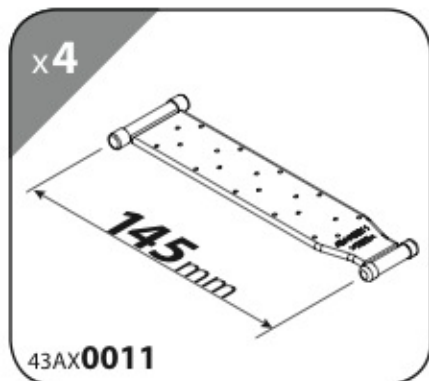
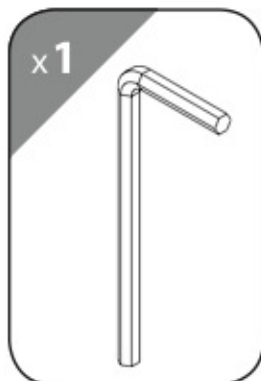


TESTED AND APPROVED - GEPRÜFT UND ZERTIFIZIERT



F 2
Art. **N21402**

F 3
Art. **N21403**



Ⓛ Per Ⓜ For Ⓧ Pour Ⓞ Für Ⓟ Para

x2

SNAP SERIES TELESCOPIC BARS

Acciaio / Steel / Acier / Stahl / Acero

Art. **N15010** 5,5 Kg.
 Art. **N15012** 7 Kg.
 Art. **N15014** 5,5 Kg.
 Art. **N15016** 7 Kg.

Alluminio / Aluminium / Aluminio

Art. **N15011** 3,5 Kg.
 Art. **N15013** 4 Kg.
 Art. **N15015** 3,5 Kg.
 Art. **N15017** 4 Kg.

1



MAX
100KG

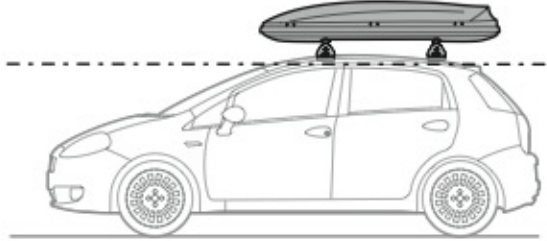
TUV
SUD

GS
Geprüfte Sicherheit

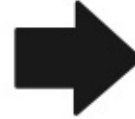
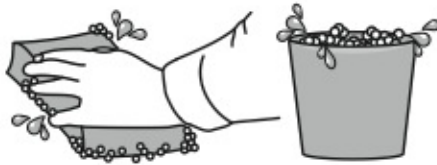
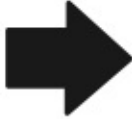
TESTATO E CERTIFICATO
TESTED AND APPROVED
GEPÜFT UND ZERTIFIZIERT



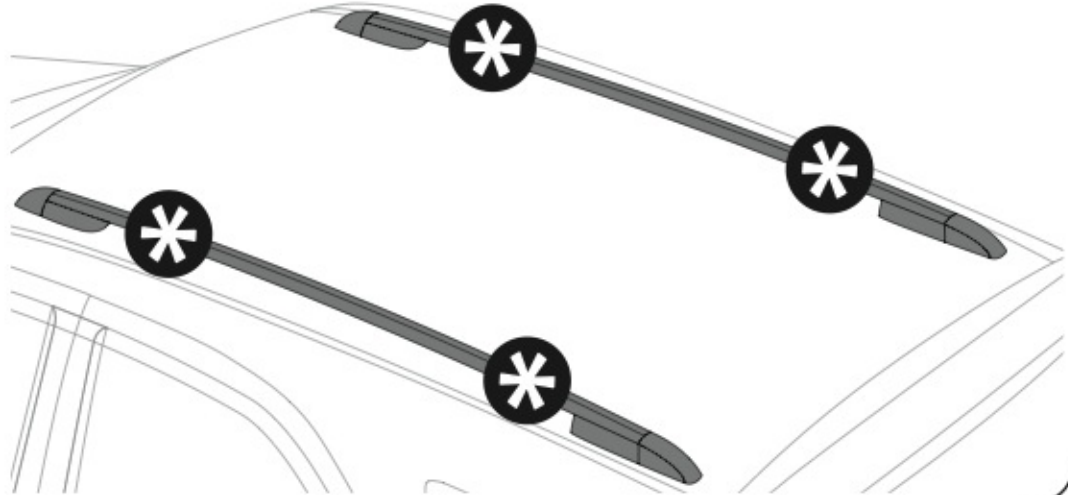
max:
???kg



2

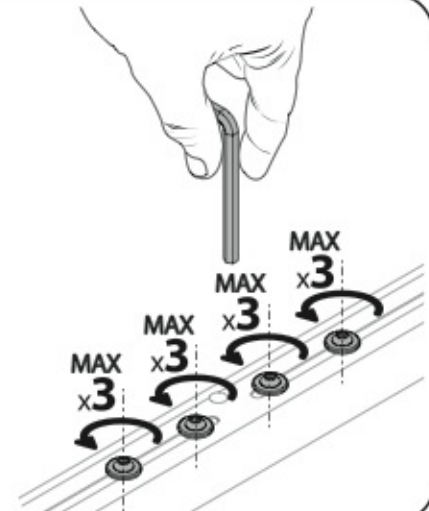
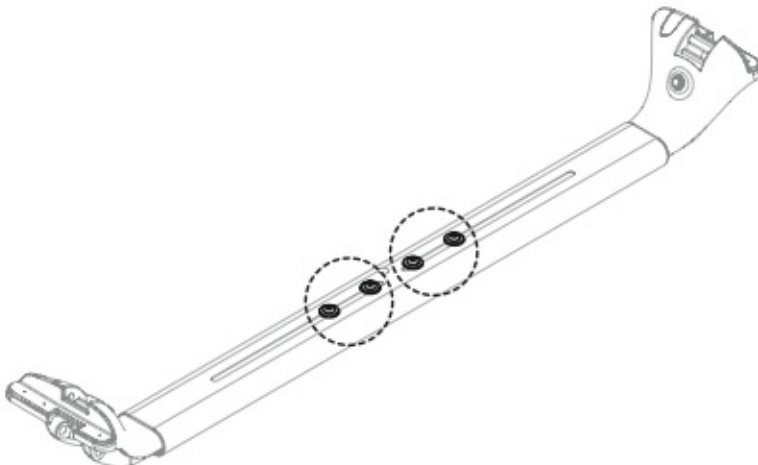


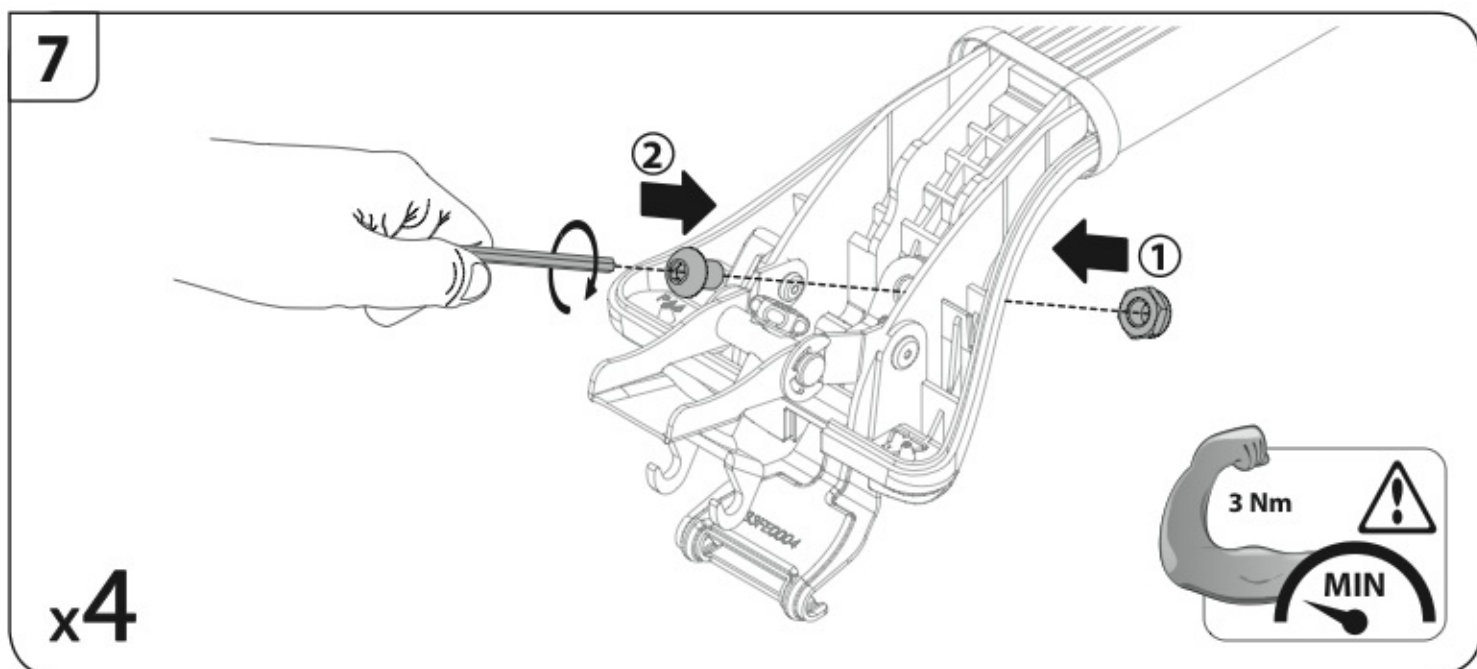
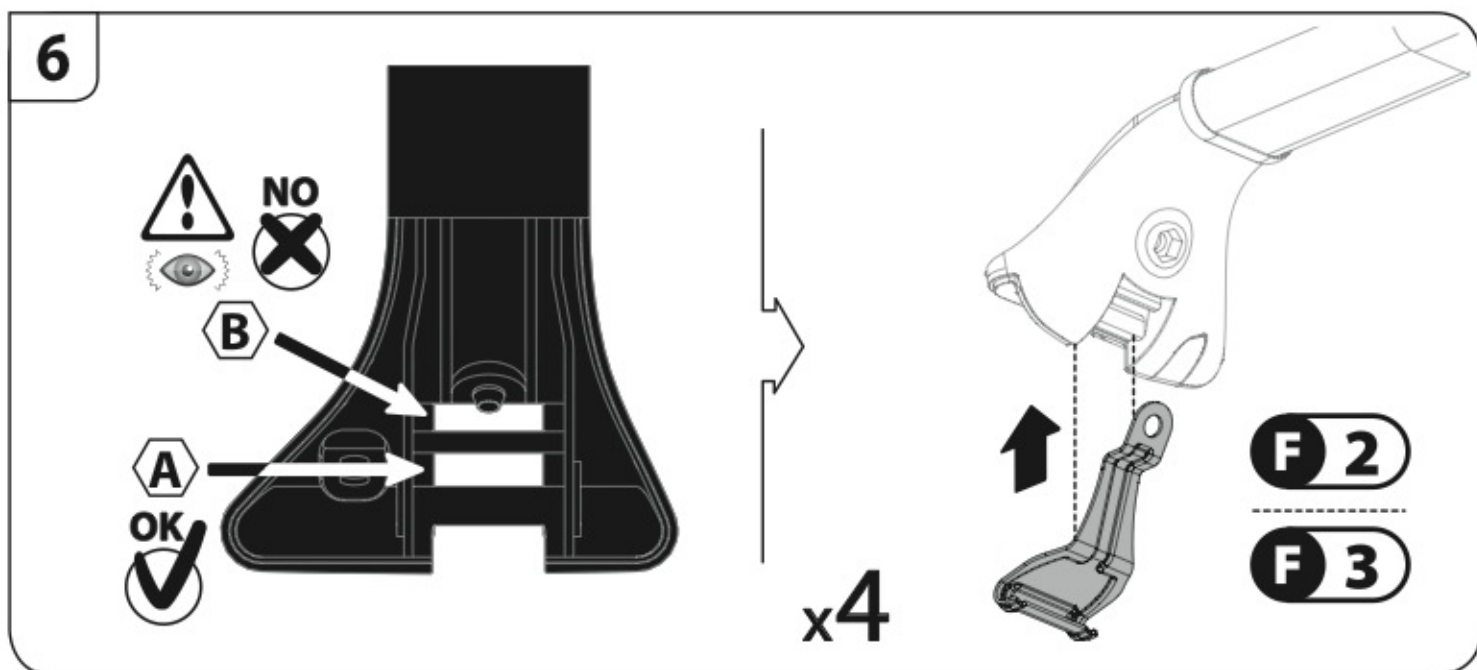
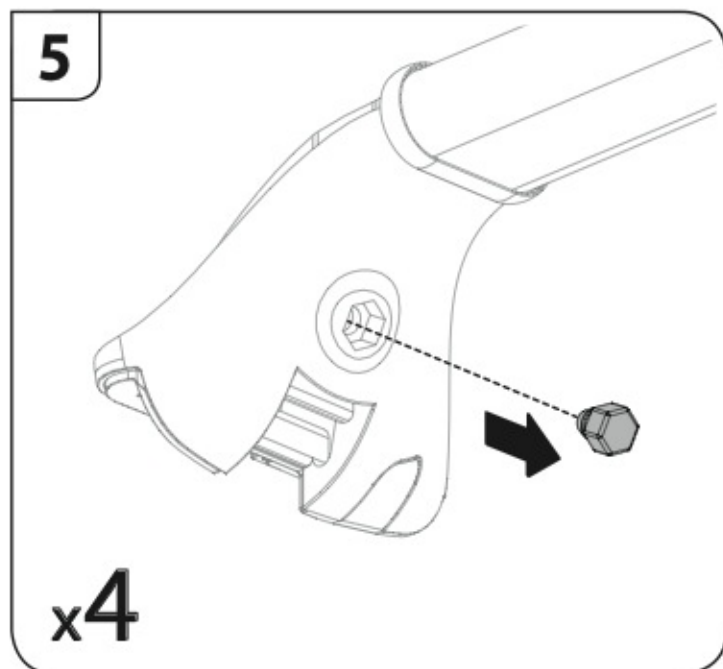
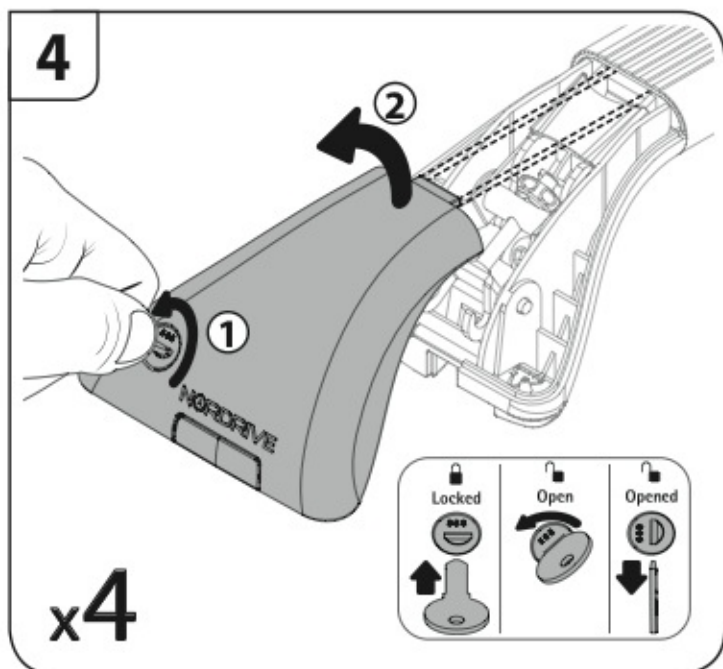
Safety Regulations



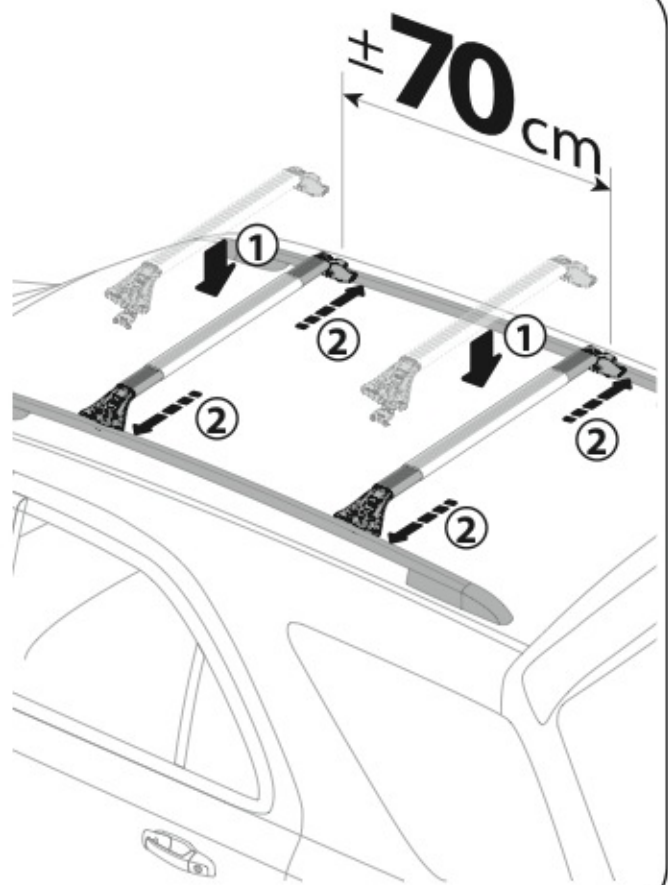
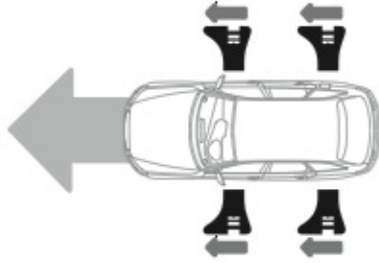
3

x2

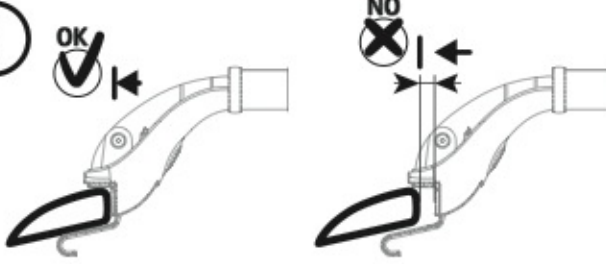




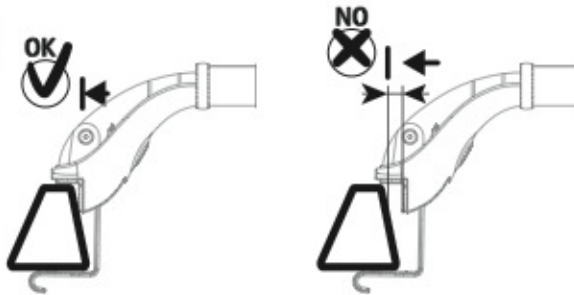
8



F 2



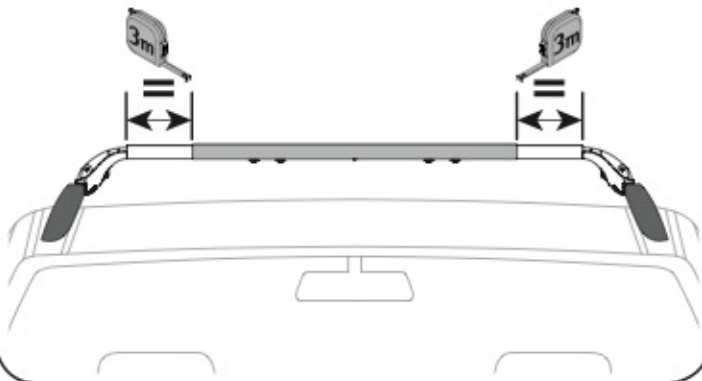
F 3



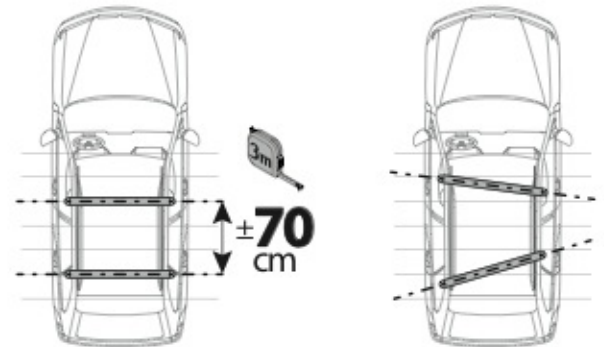
9

- ① Per ② Für
- ③ For ④ Para
- ⑤ Pour

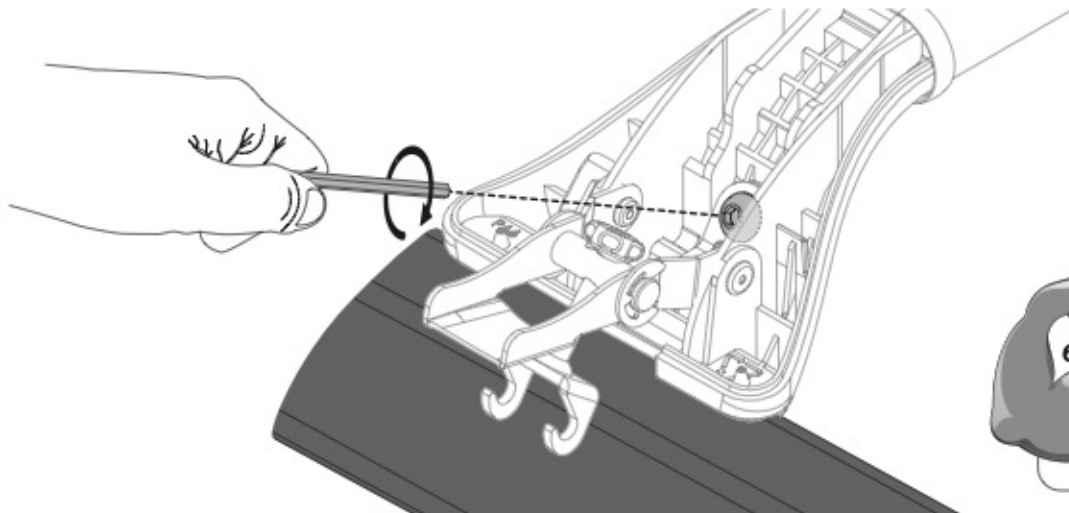
SNAP STEEL
TELESCOPIC ROOF BARS



10



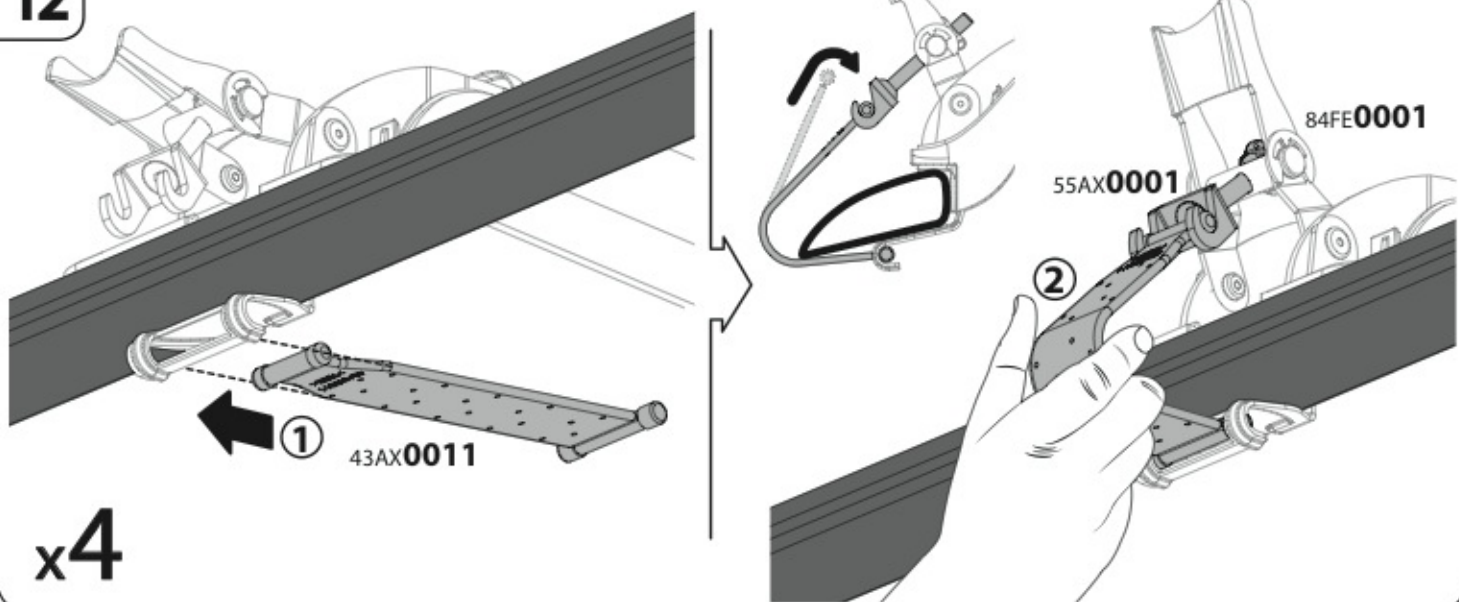
11



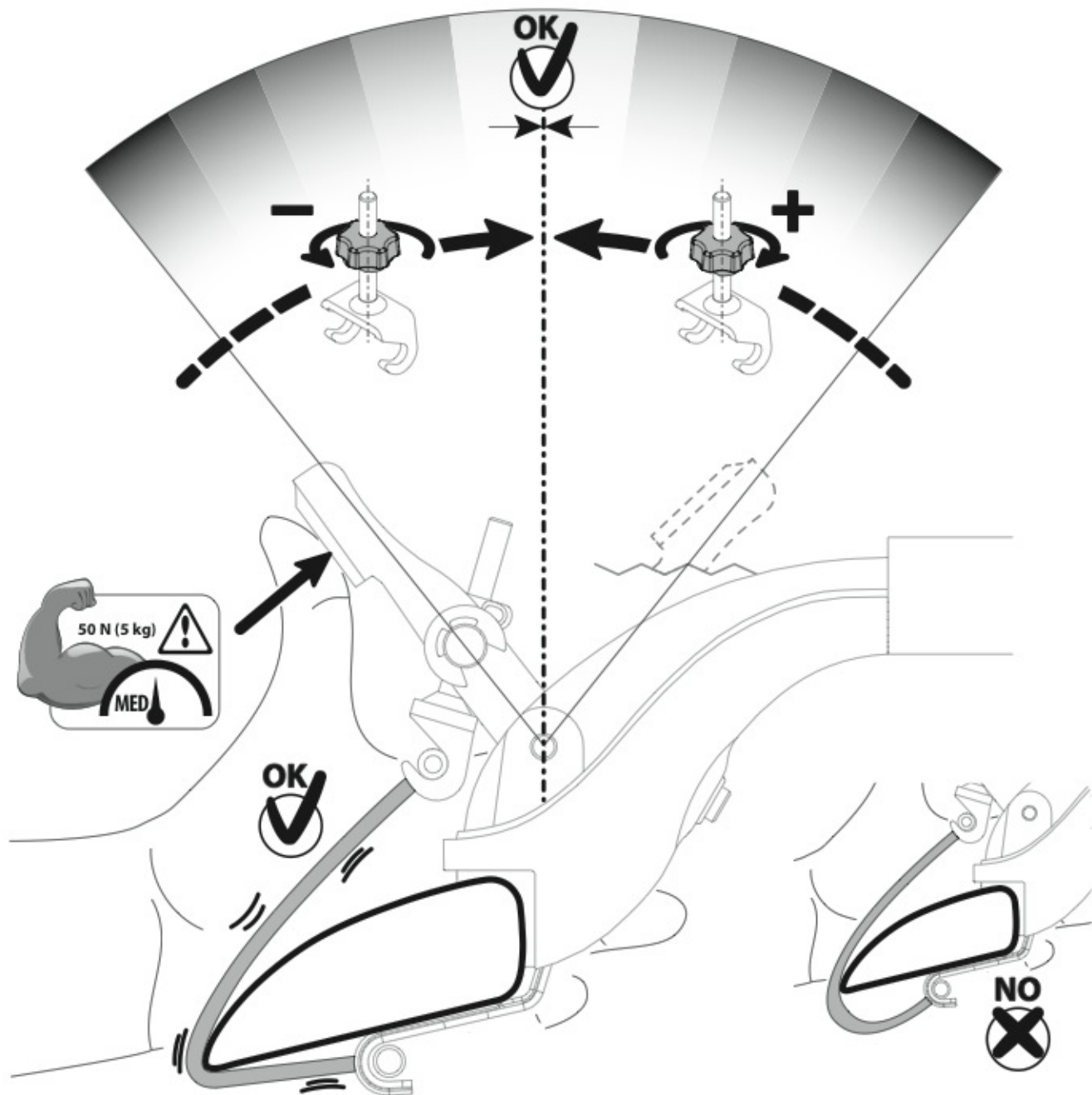
x4



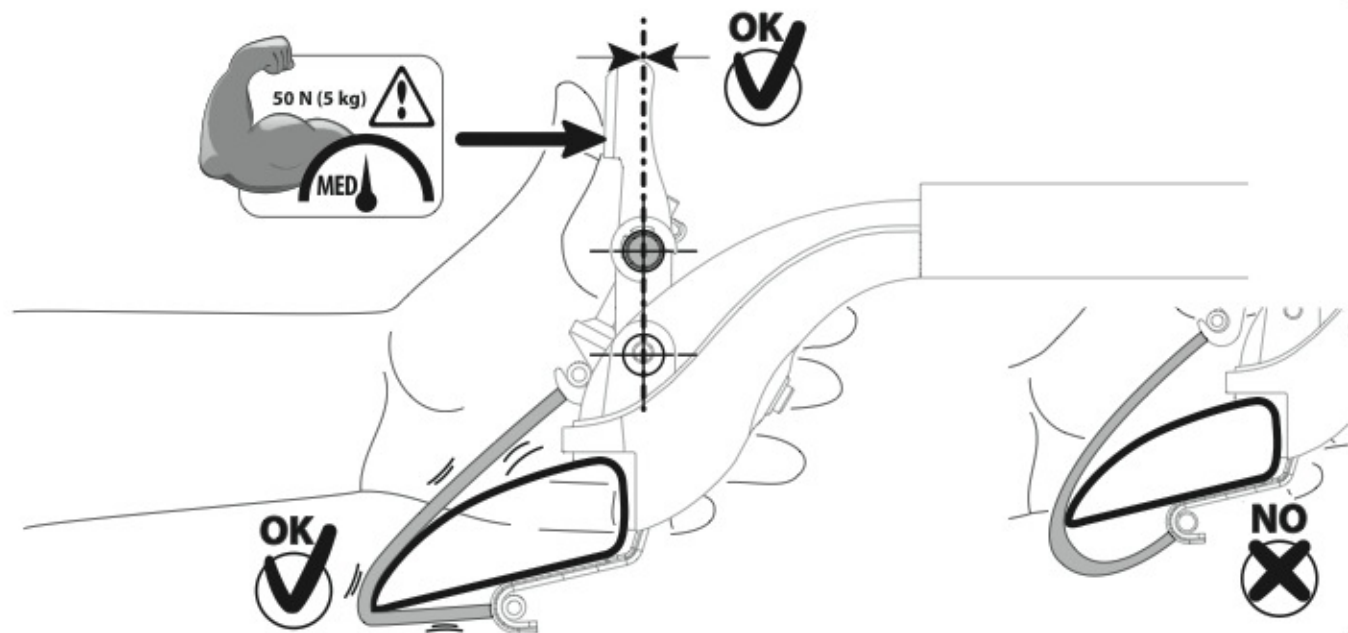
12



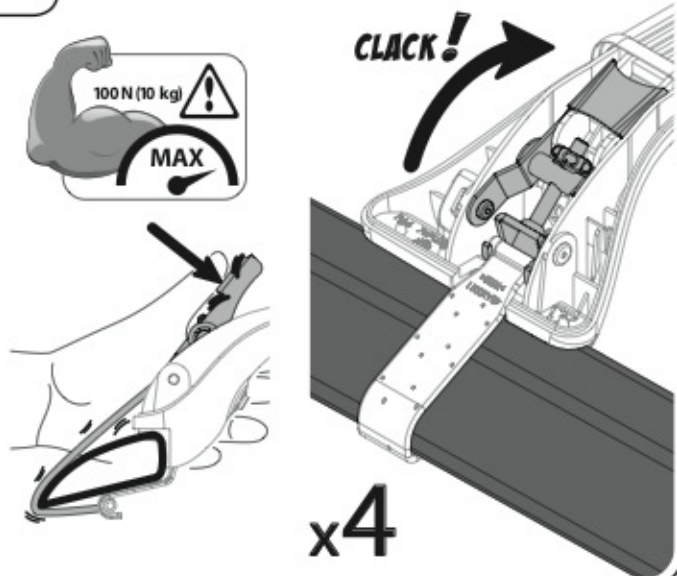
13



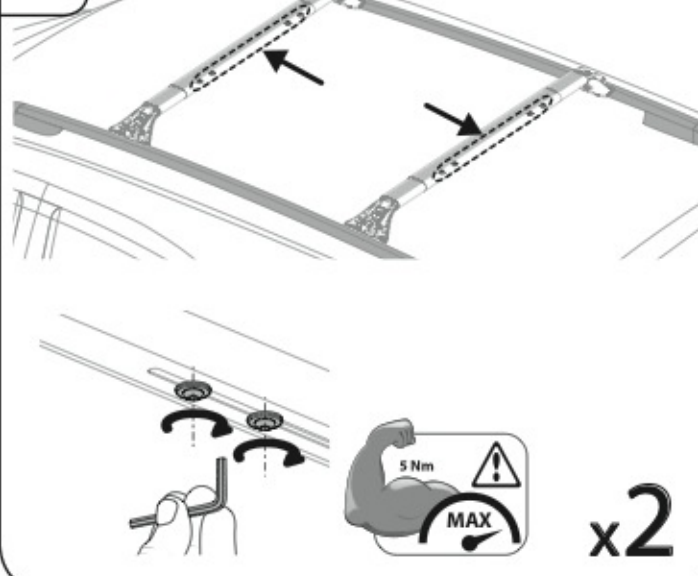
14



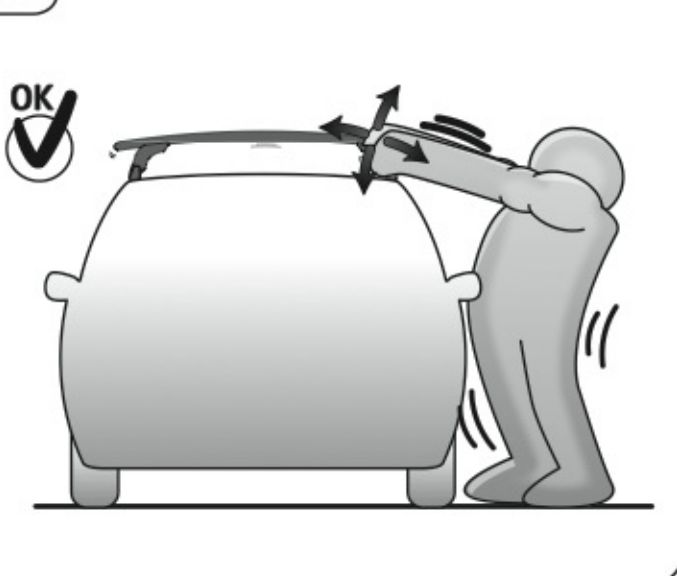
15



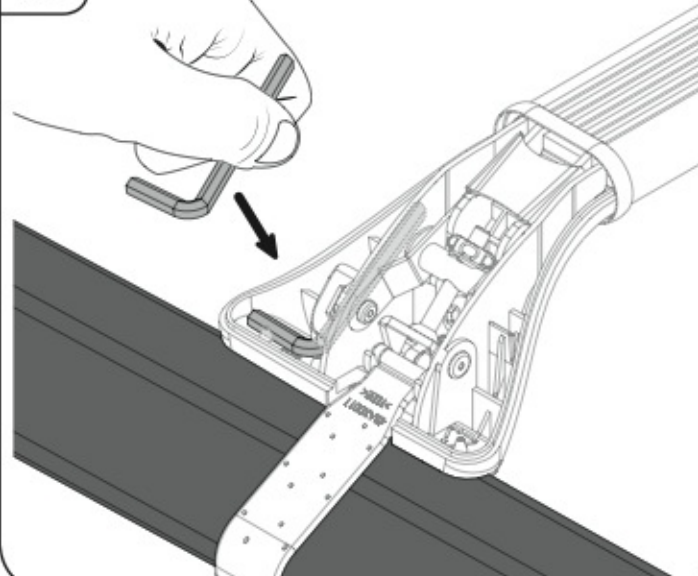
16



17

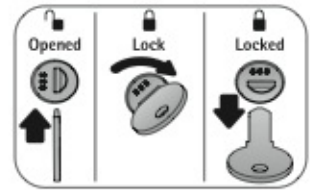
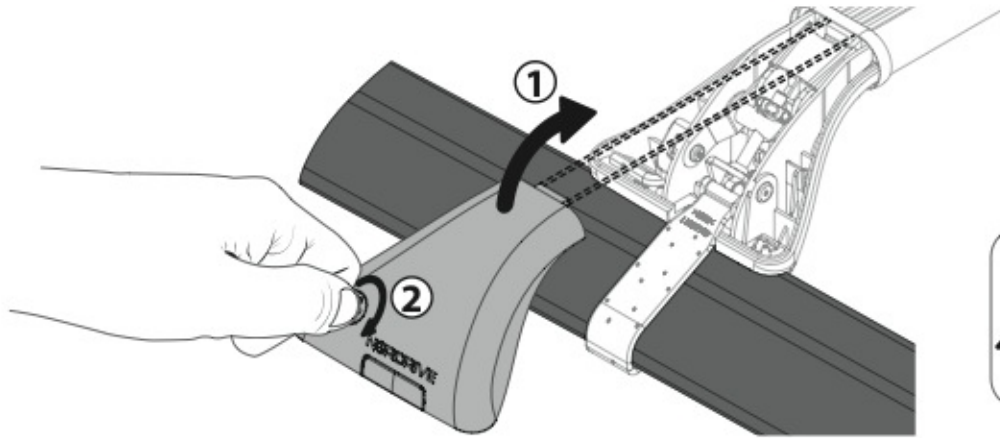


18

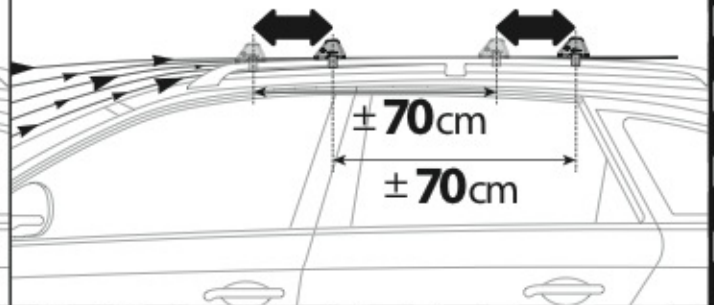
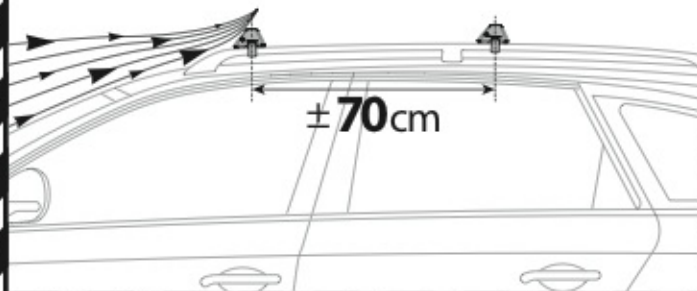
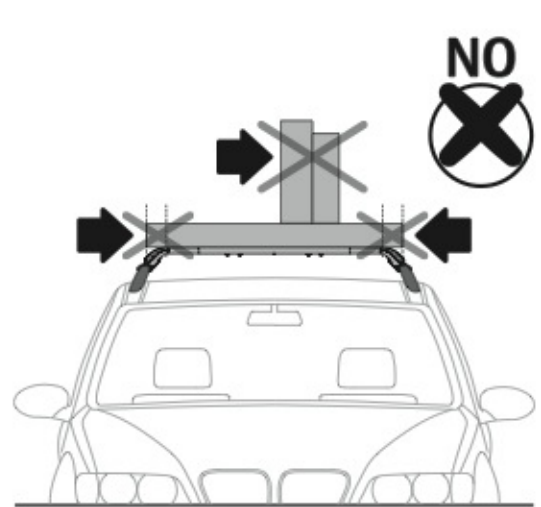


19

x4



ATTENZIONE WARNING



NORDRIVE[®]
TRANSPORT SOLUTIONS

is a registered trademark of

LAMPA S.p.A.

46019 Viadana (MN) ITALY

Ditta certificata UNI ENI ISO 9001:2008

www.nordrive.it

www.lampa.it

91CA0149 000