

# EVOS

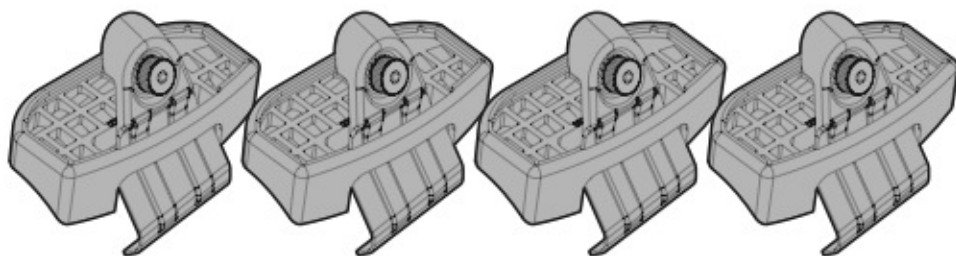
## NORDRIVE<sup>®</sup>

TRANSPORT SOLUTIONS

NISSAN MICRA

03/17 →

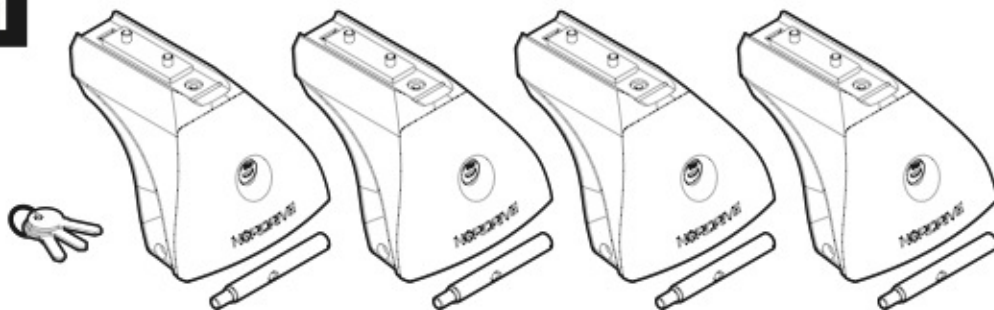
Art. N21209



**C**

+

Art. N20001



**B**

+

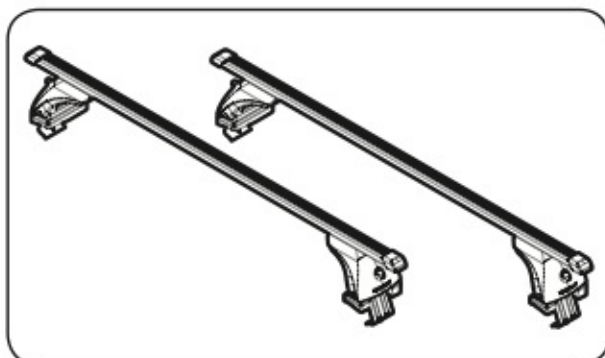
Art. N15020 **M**



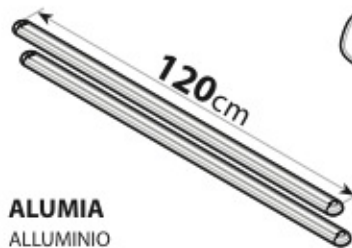
**A**

**QUADRA**  
ACCIAIO  
Steel

=



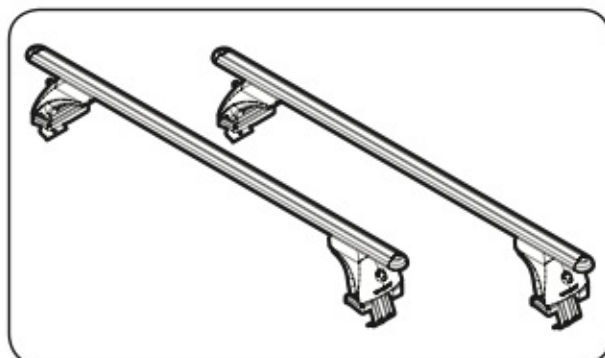
Art. N15025 **M**






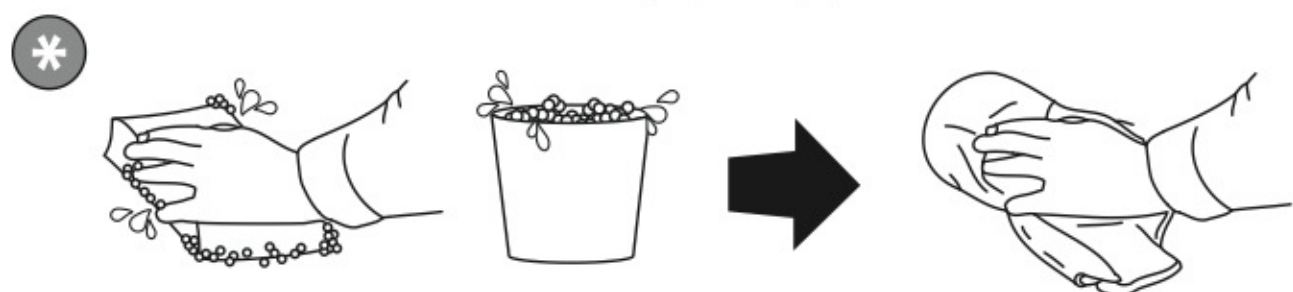
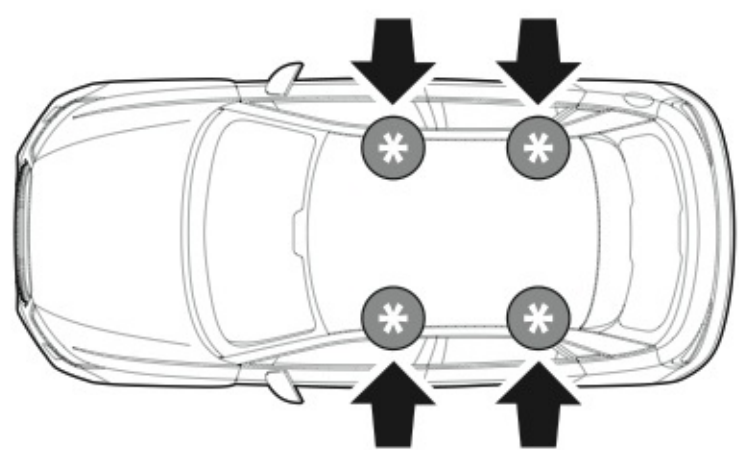
**A**

**ALUMIA**  
ALLUMINIO  
Aluminium

=

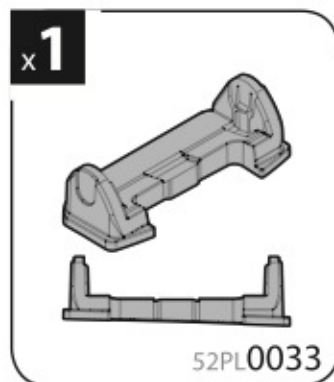
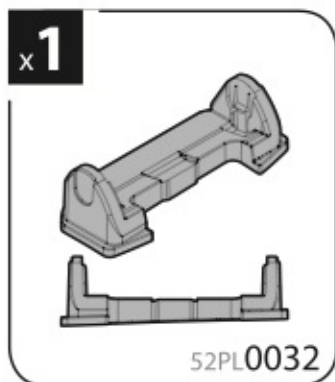
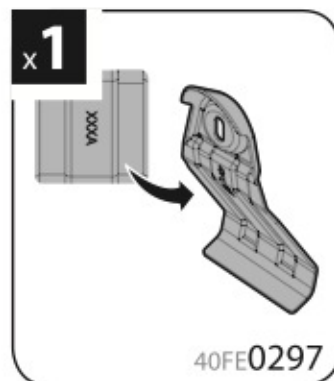
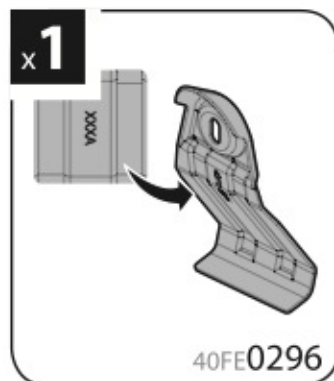
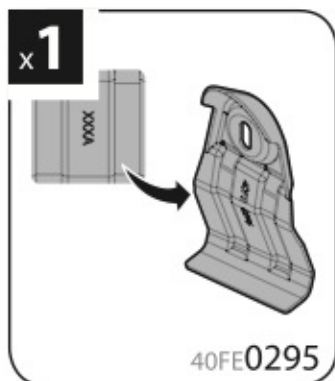
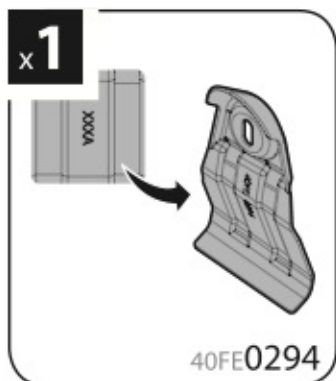
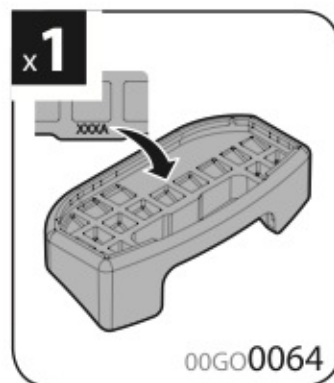
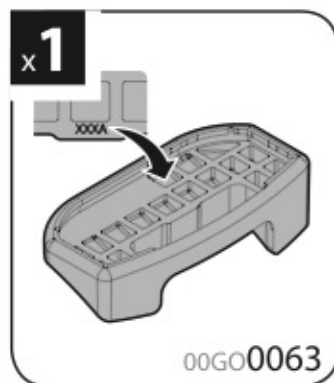
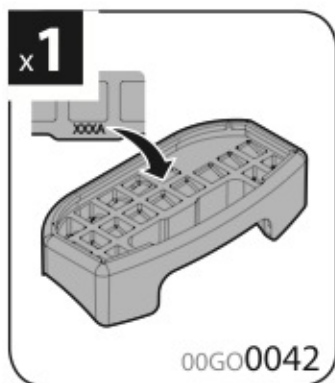
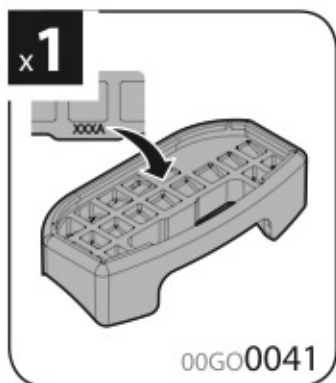


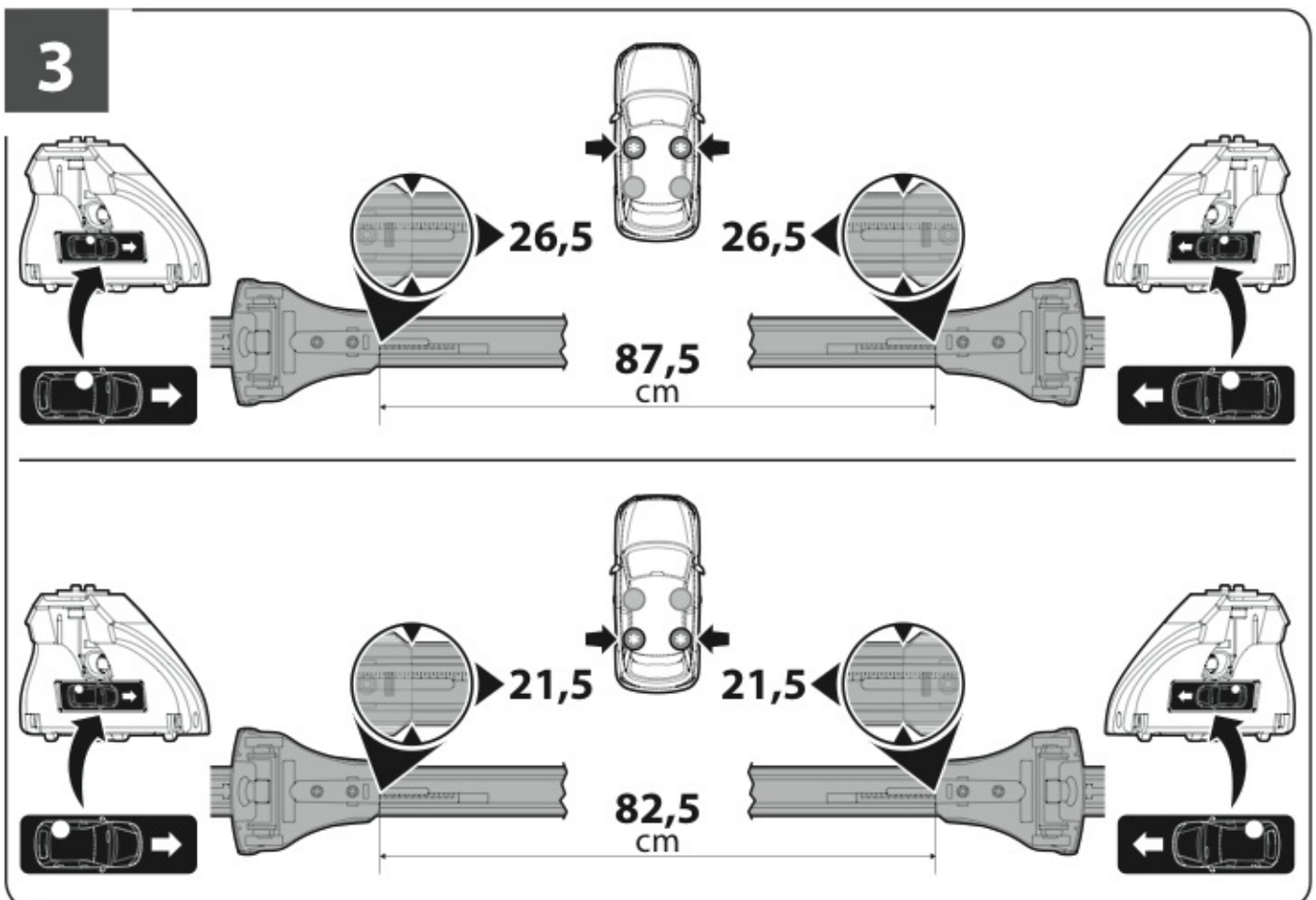
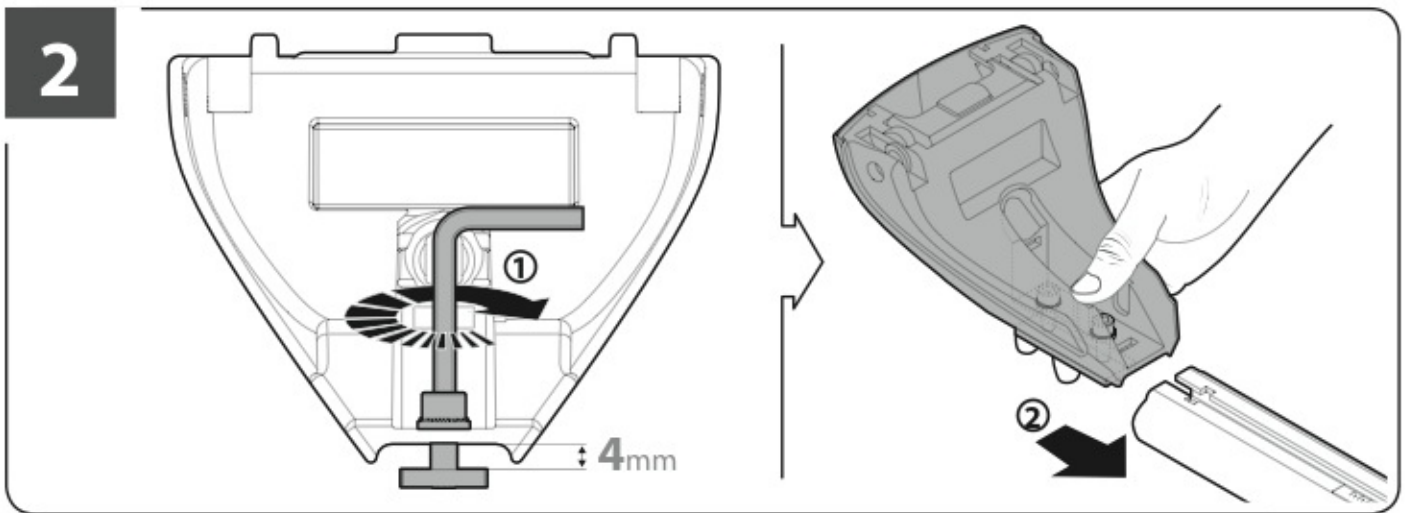
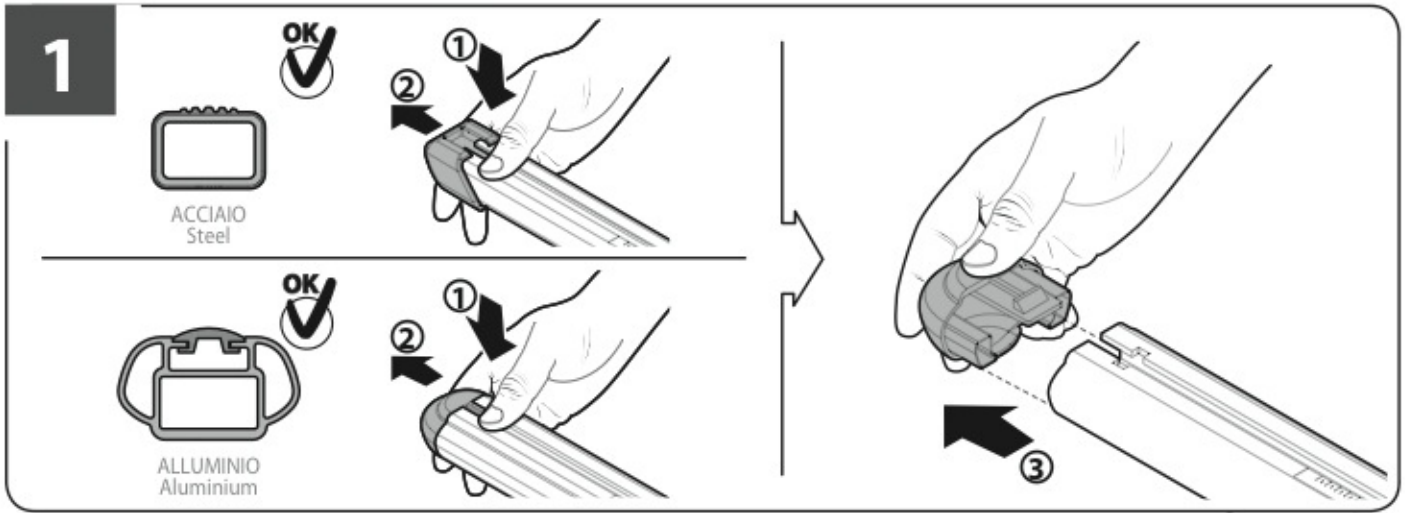
 +  +  = max kg. **50**



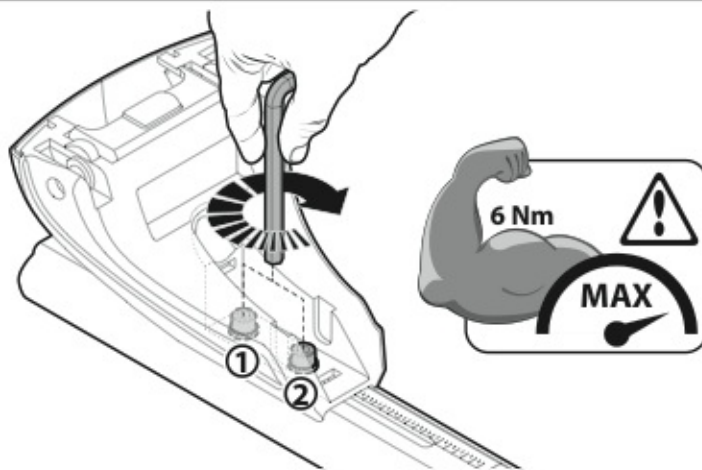


Art. N21209

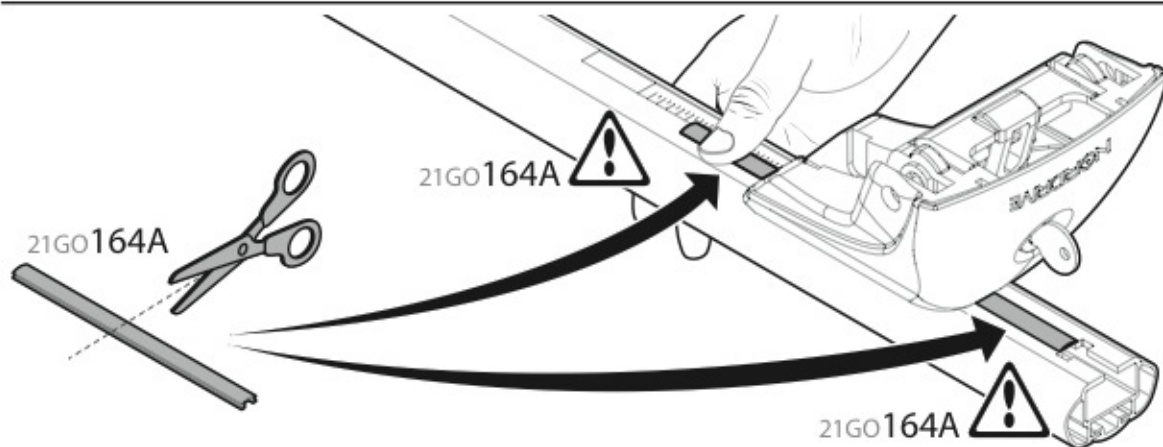




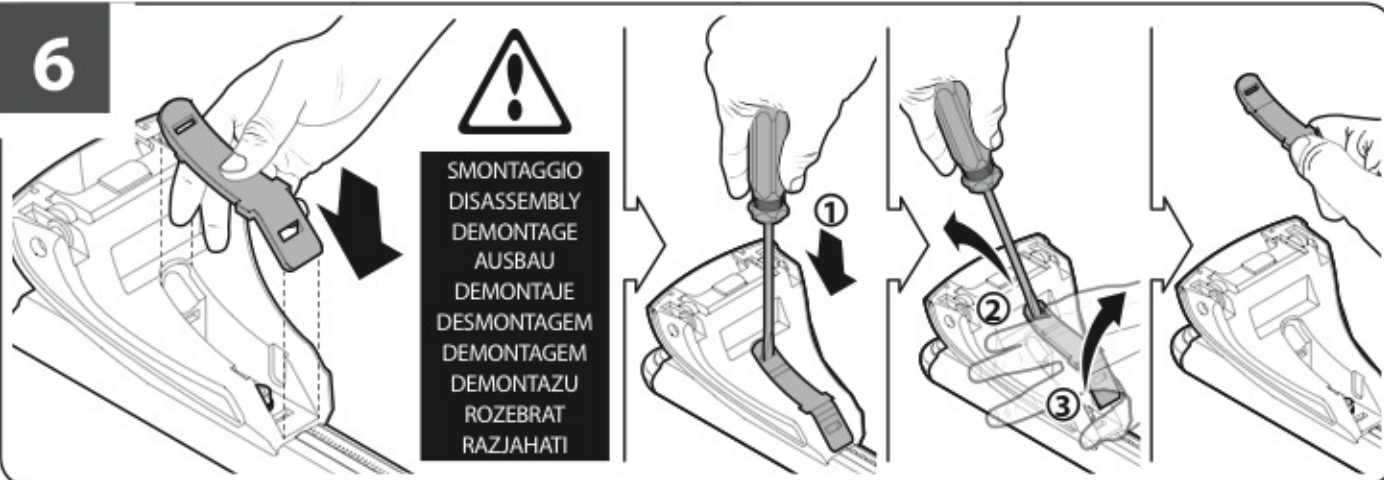
4



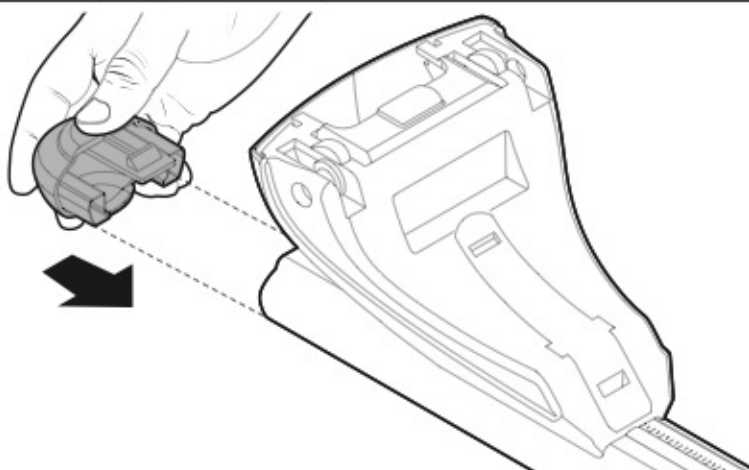
5



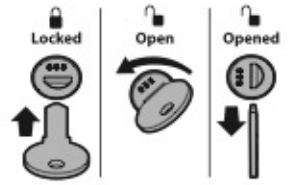
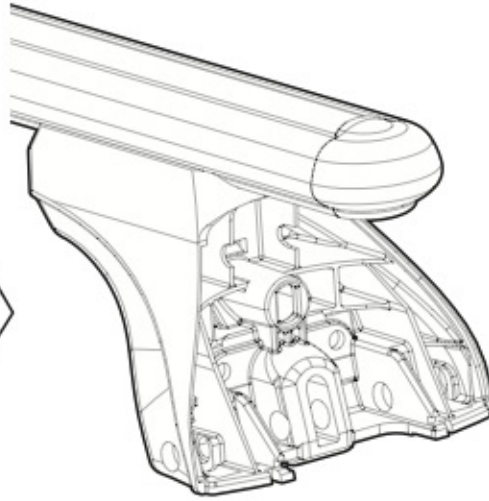
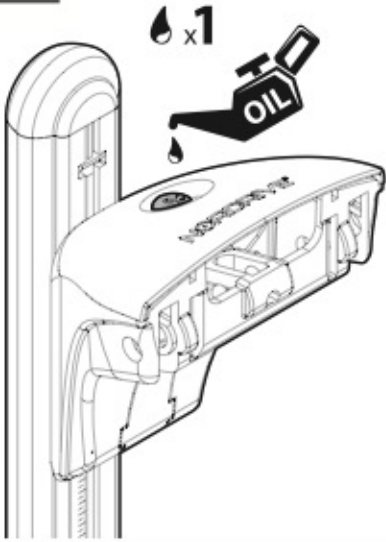
6



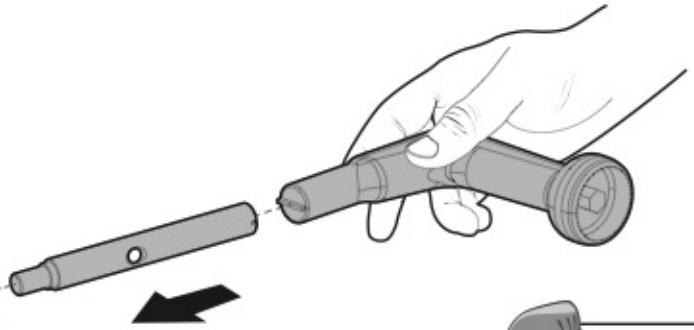
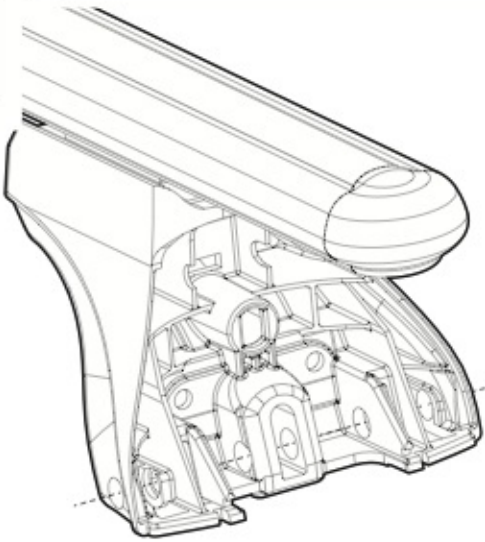
7



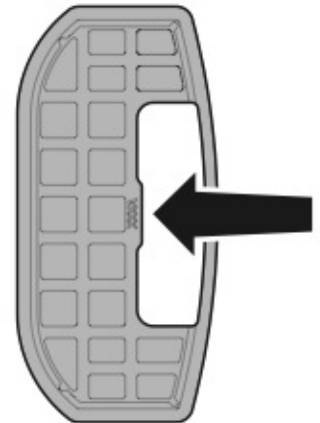
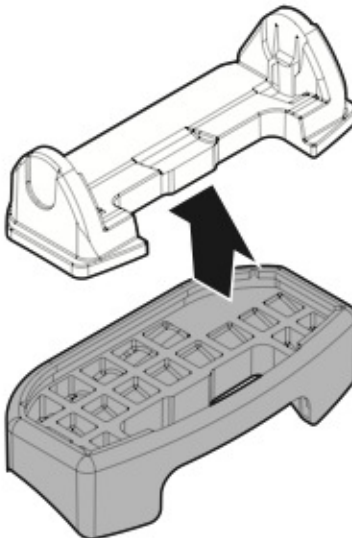
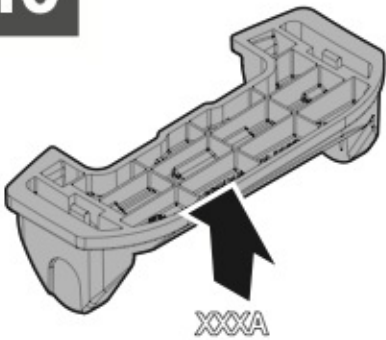
8



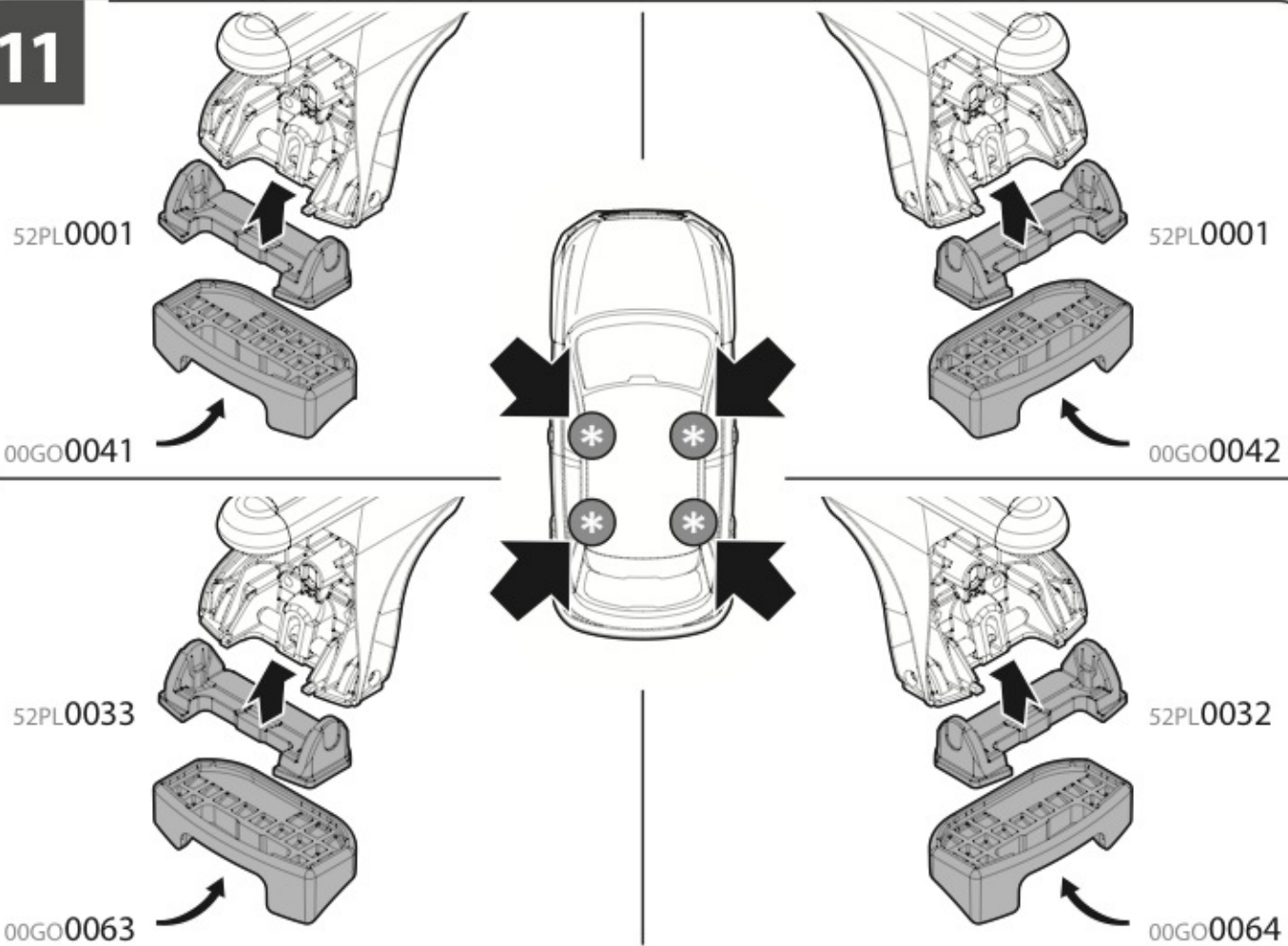
9



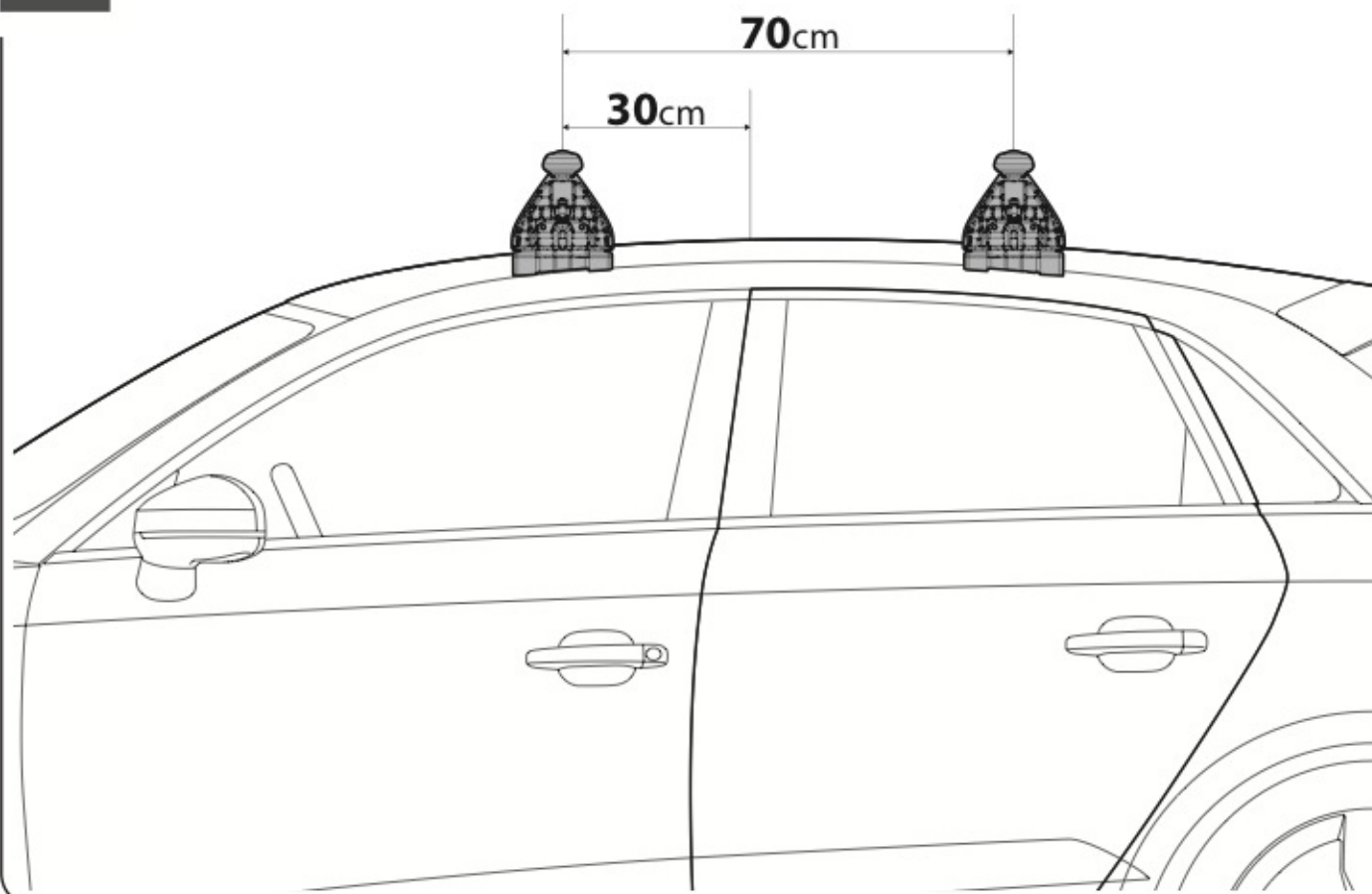
10



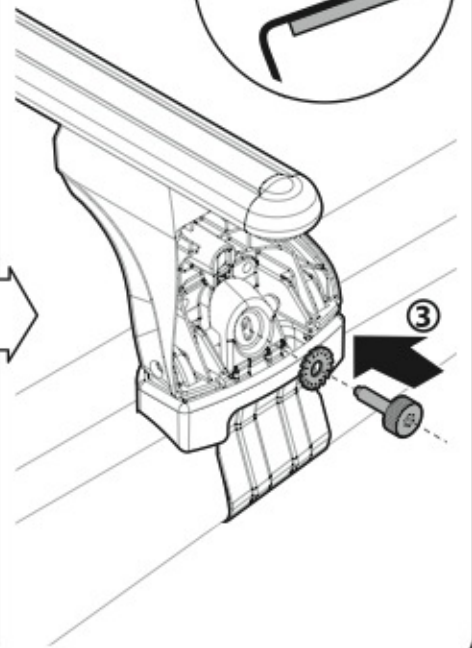
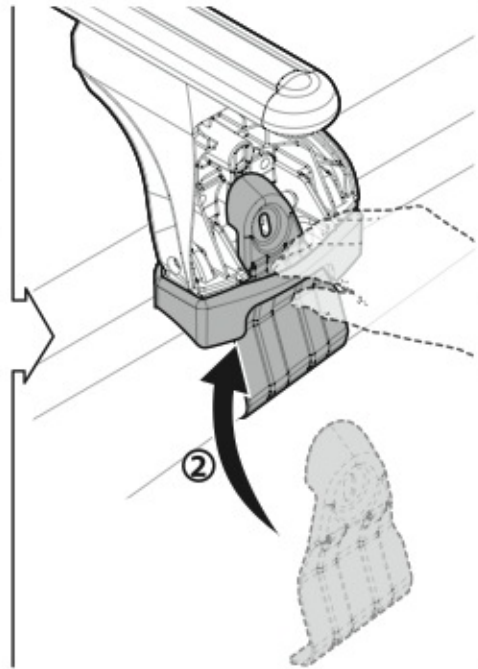
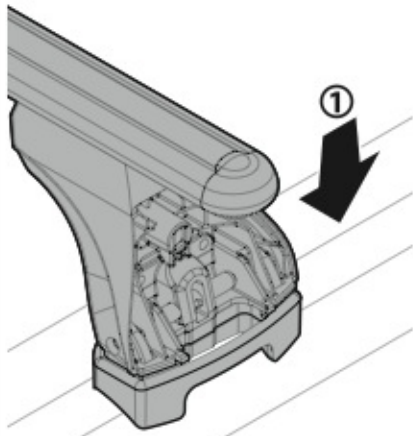
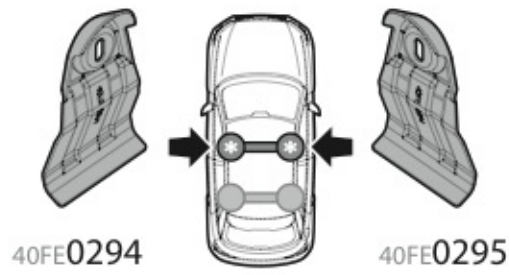
11



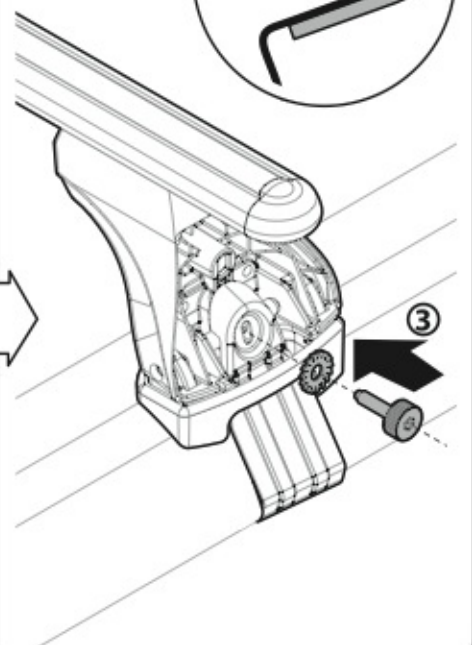
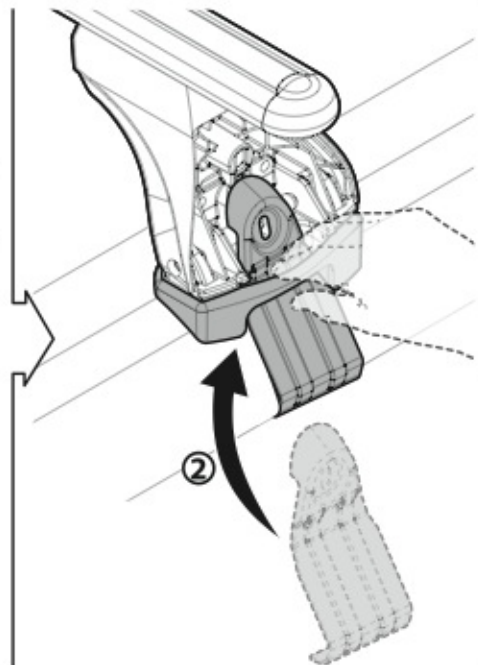
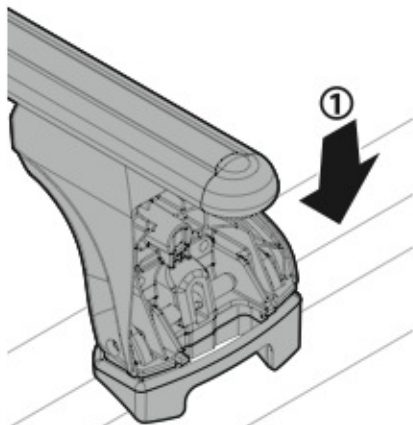
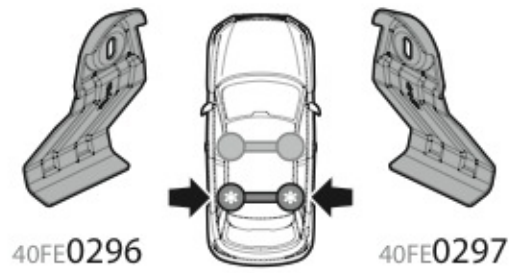
12



# 13

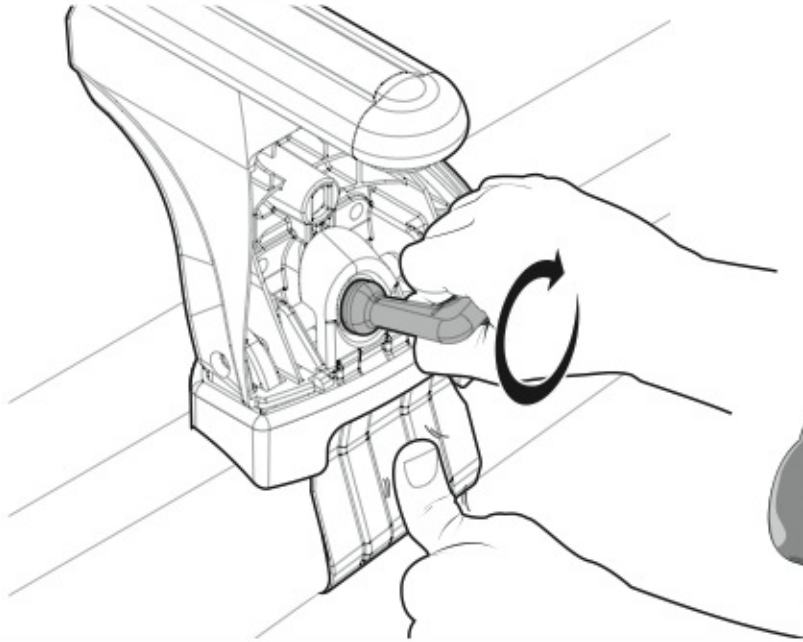
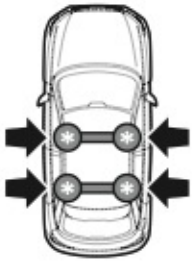


# 14

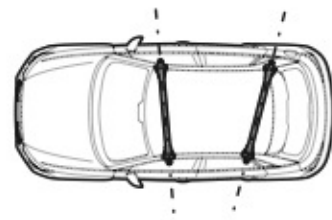
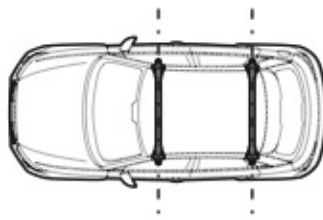
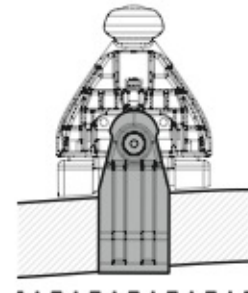
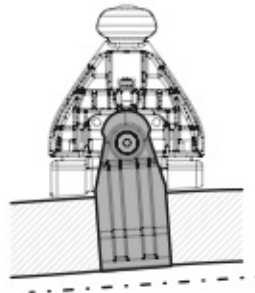




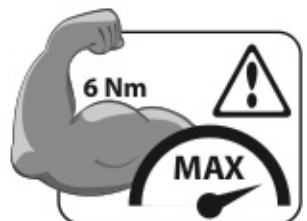
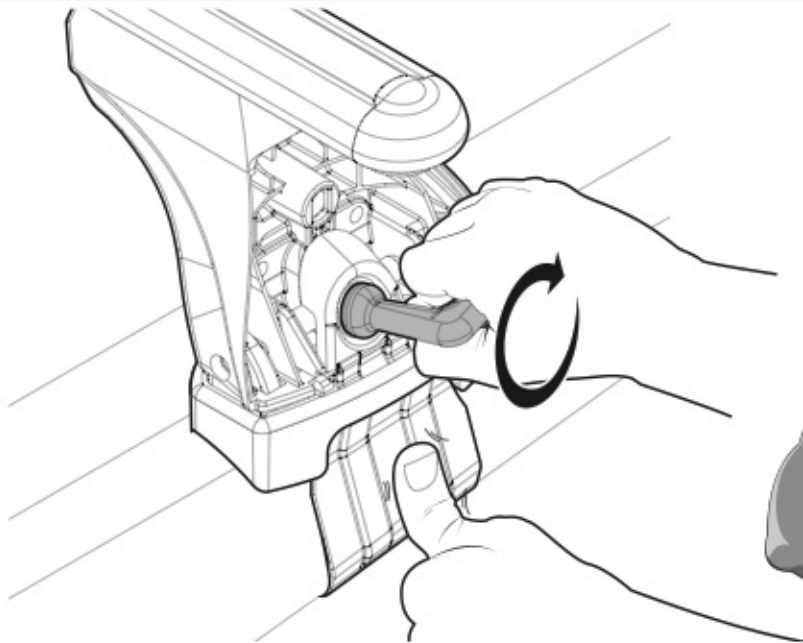
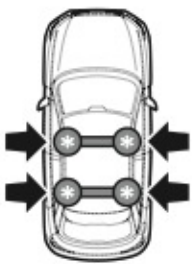
15



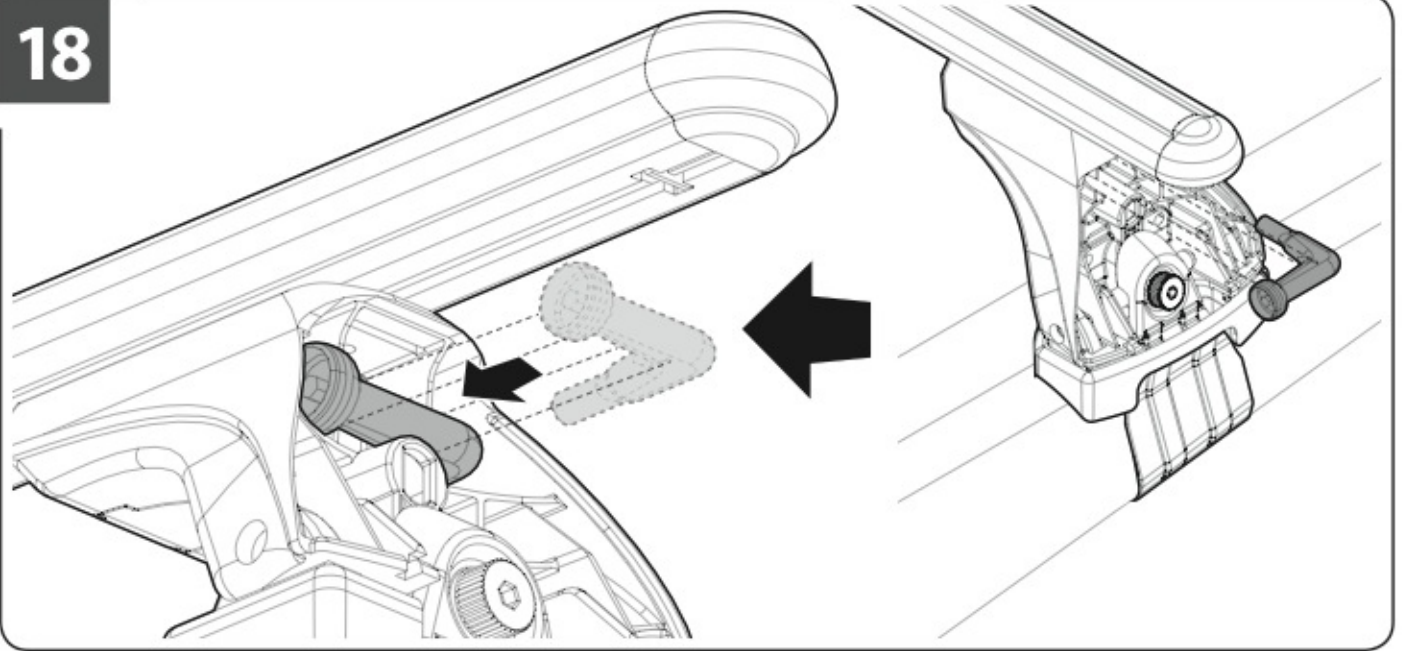
16



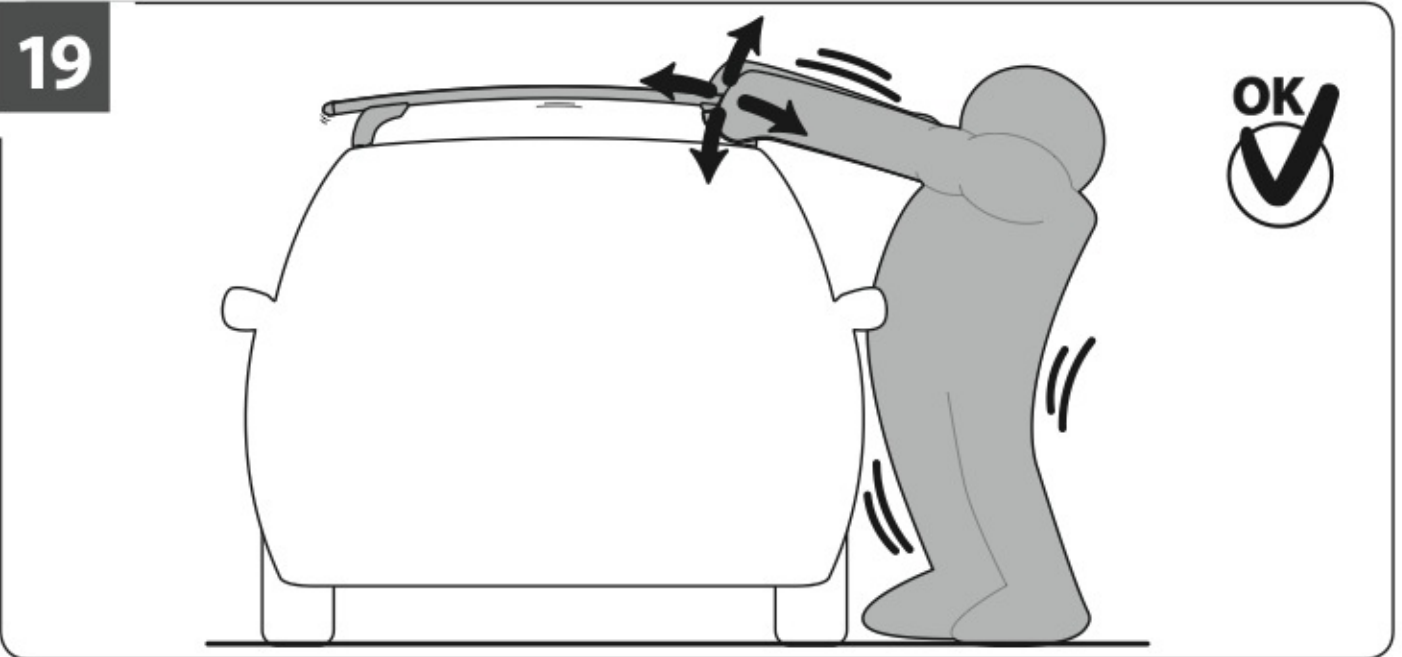
17



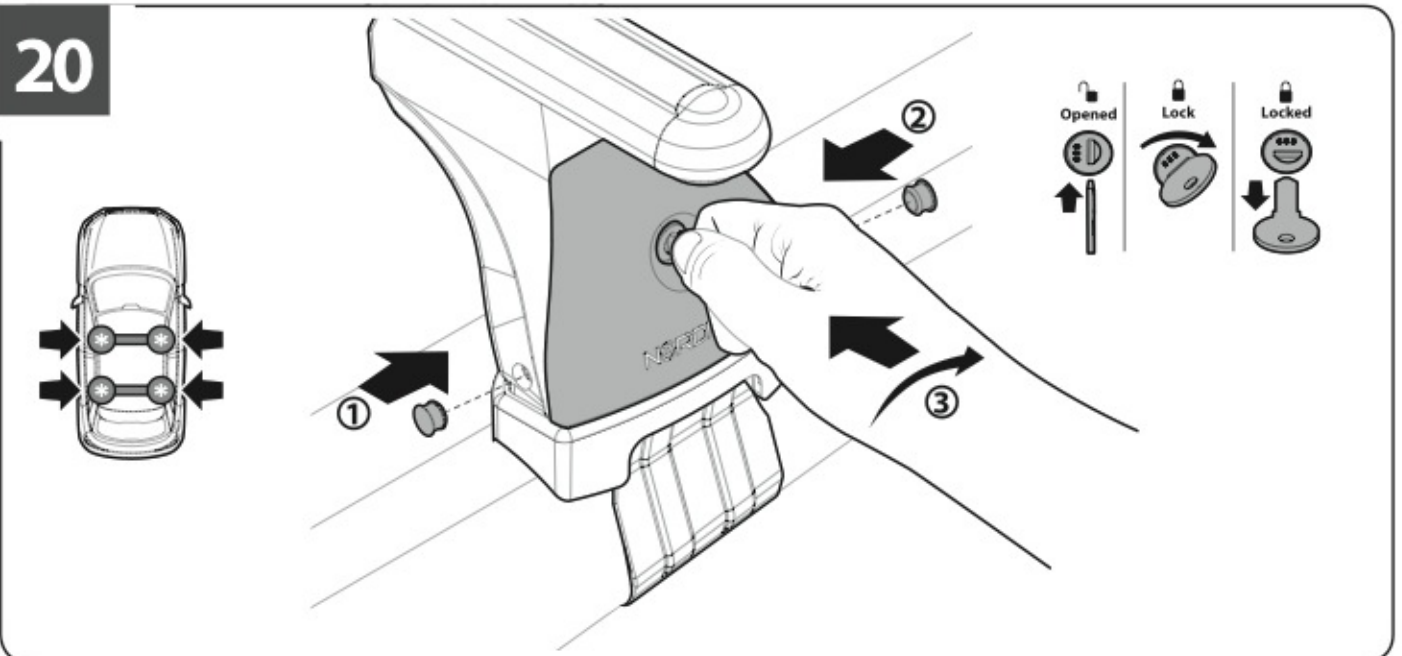
18



19



20





# EVOS

**NORDRIVE**<sup>®</sup>  
TRANSPORT SOLUTIONS

is a registered trade mark of

**LAMPA S.p.A.**

Via G. Rossa 53/55, 46019 Viadana (MN) ITALY

Tel. +39 0375 820700

UNI EN ISO 9001:2008 Certified Company

[www.nordrive.it](http://www.nordrive.it)

[www.lampa.it](http://www.lampa.it)