


EVOS


NORDRIVE®

TRANSPORT SOLUTIONS

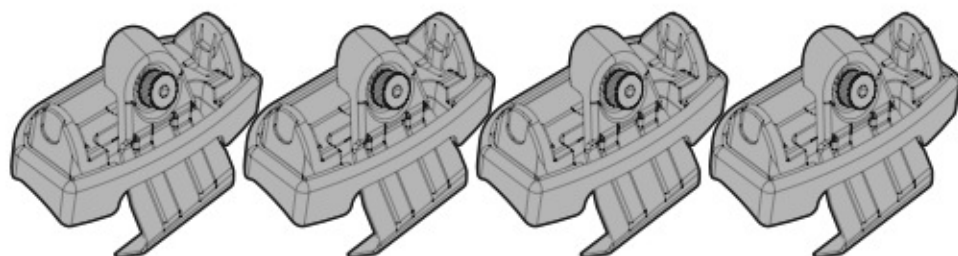
KIA OPTIMA

 02/16➔

KIA OPTIMA IBRIDA
PLUG-IN

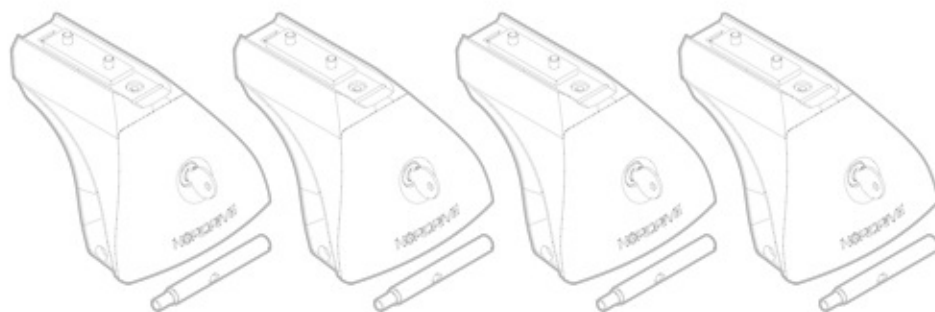
 10/16➔

Art. N21203



+

Art. N20001



B

+

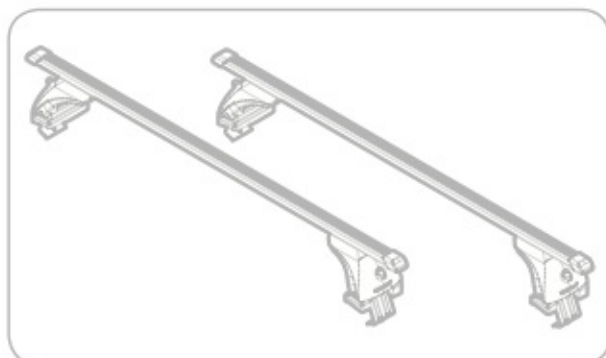
Art. N15020 **M**



A

QUADRA
ACCIAIO
Steel

=



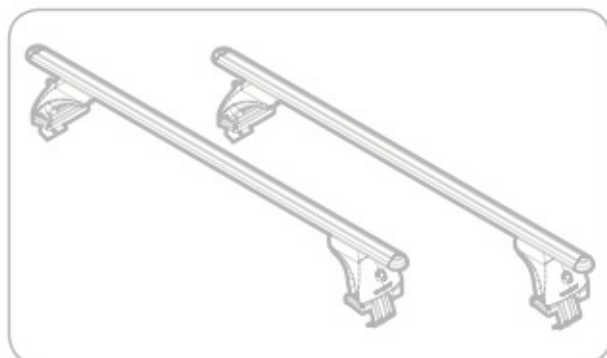
Art. N15025 **M**



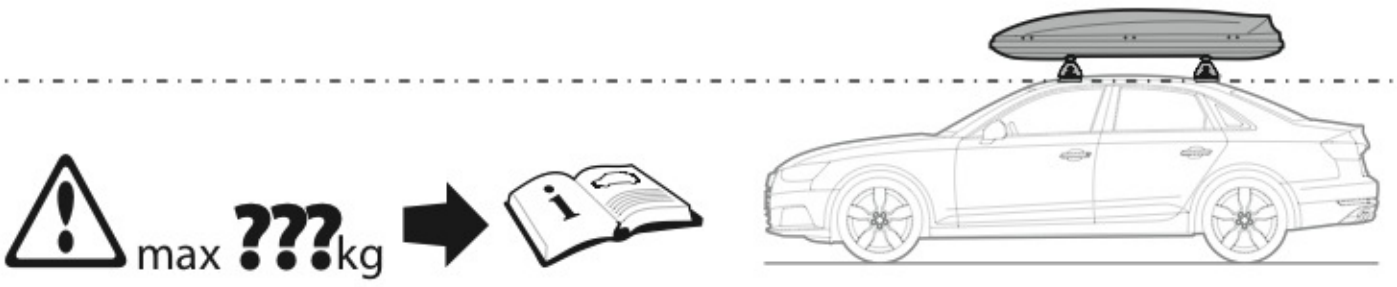
A

ALUMIA
ALLUMINIO
Aluminium

=



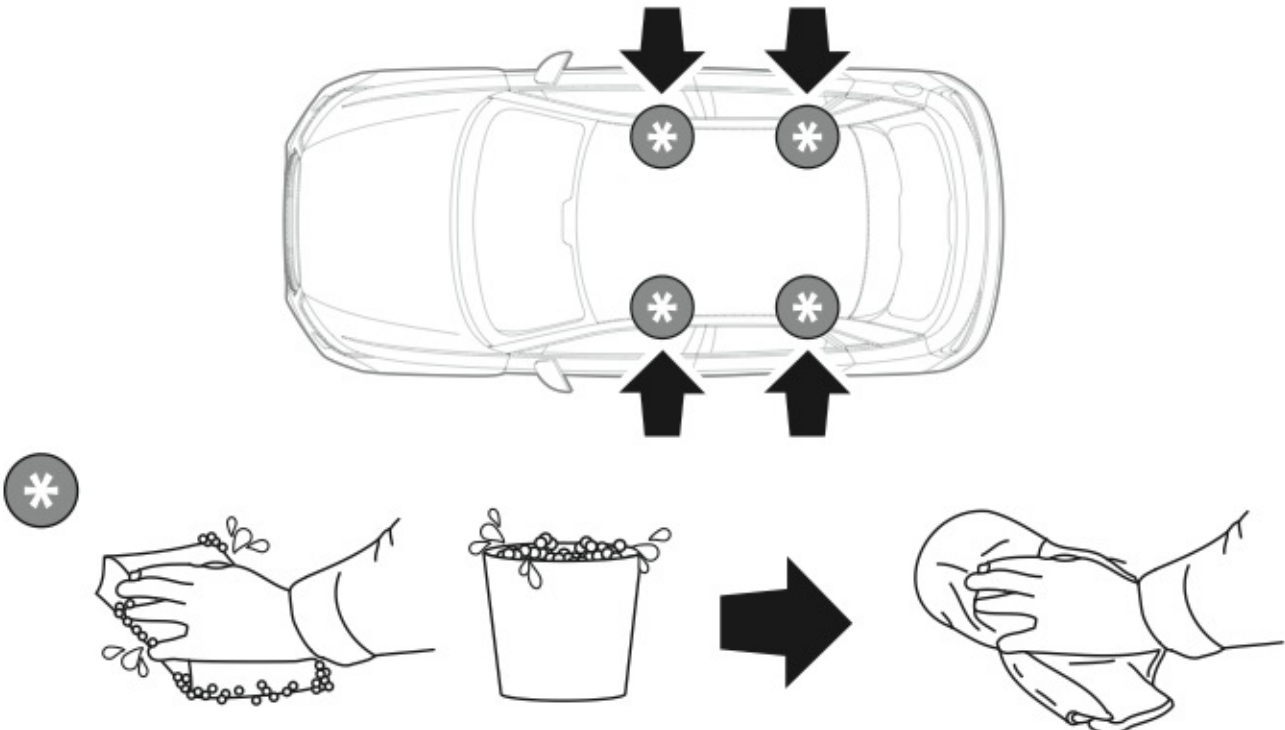

 +
 
 +
 
 = max kg. **50**





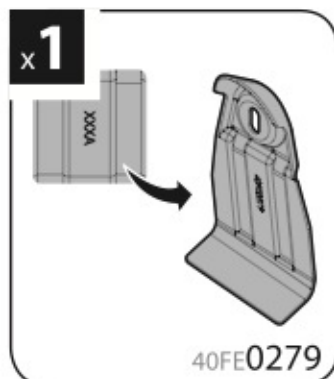
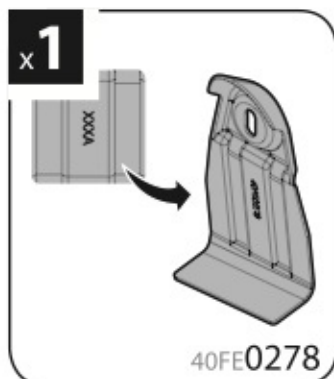
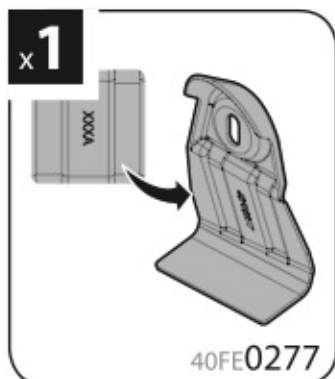
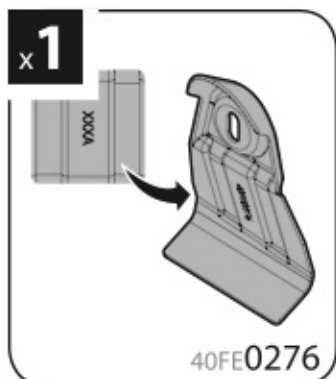
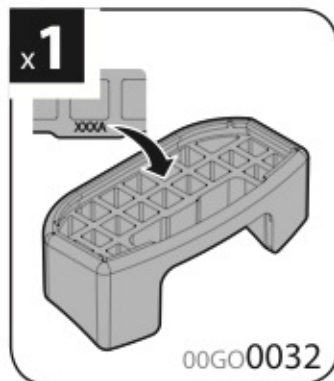
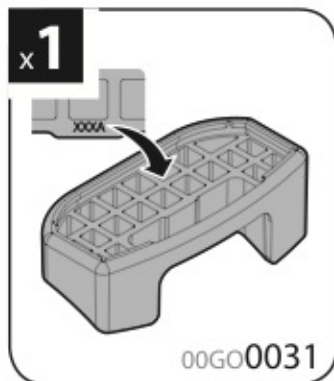
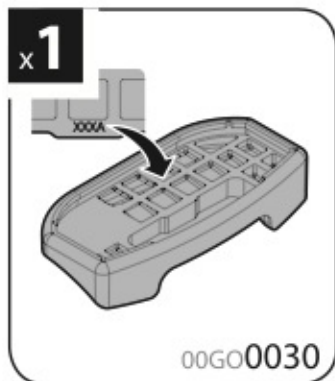


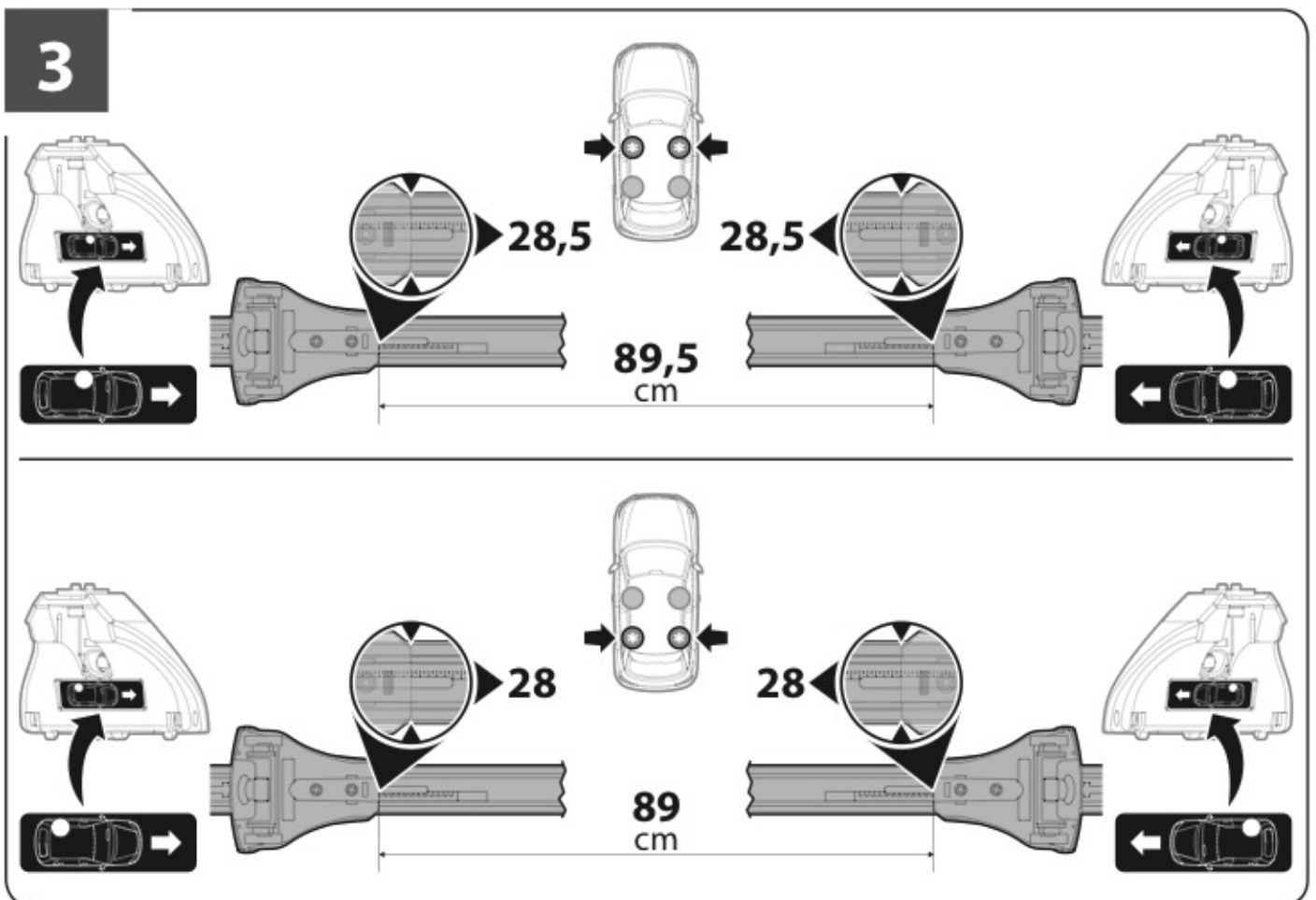
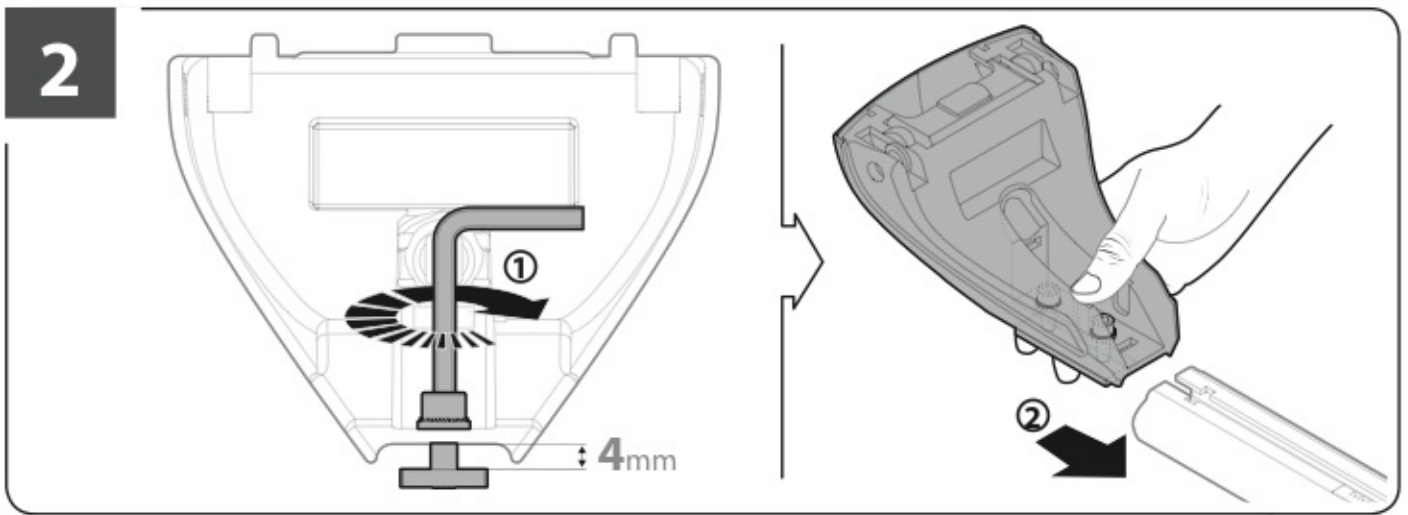
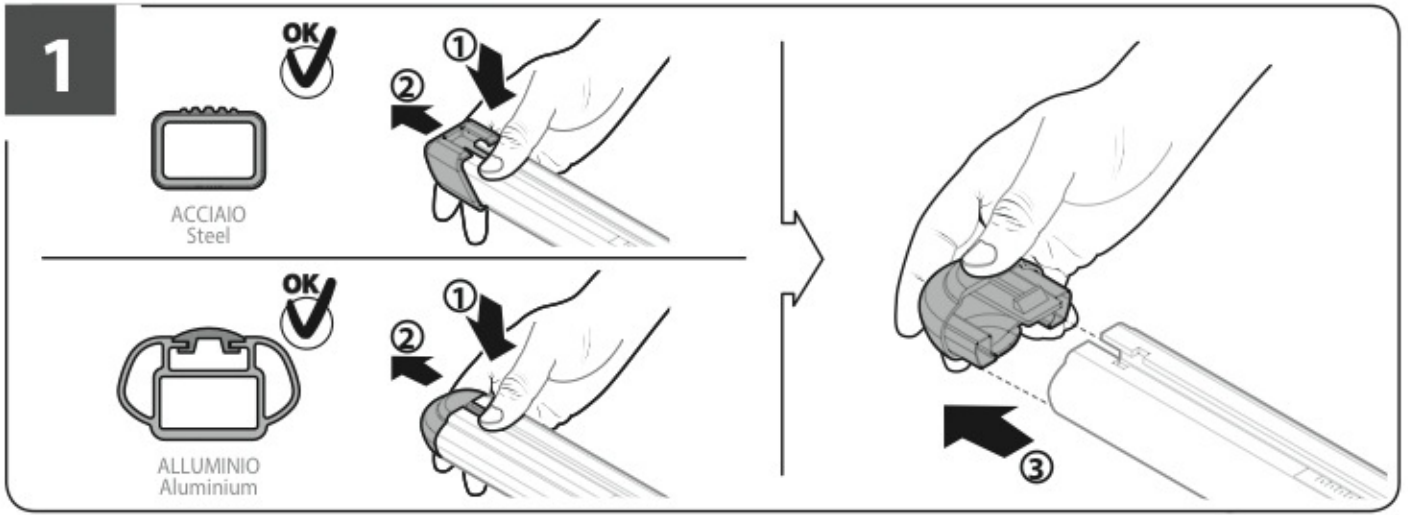
SAFETY REGULATIONS

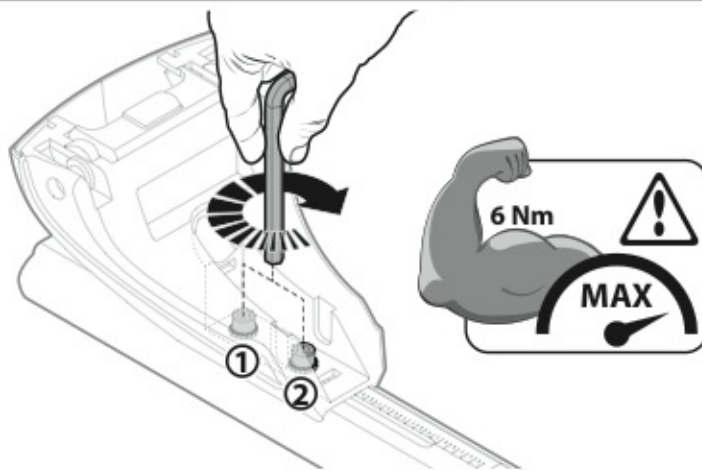


Art. **N21203**

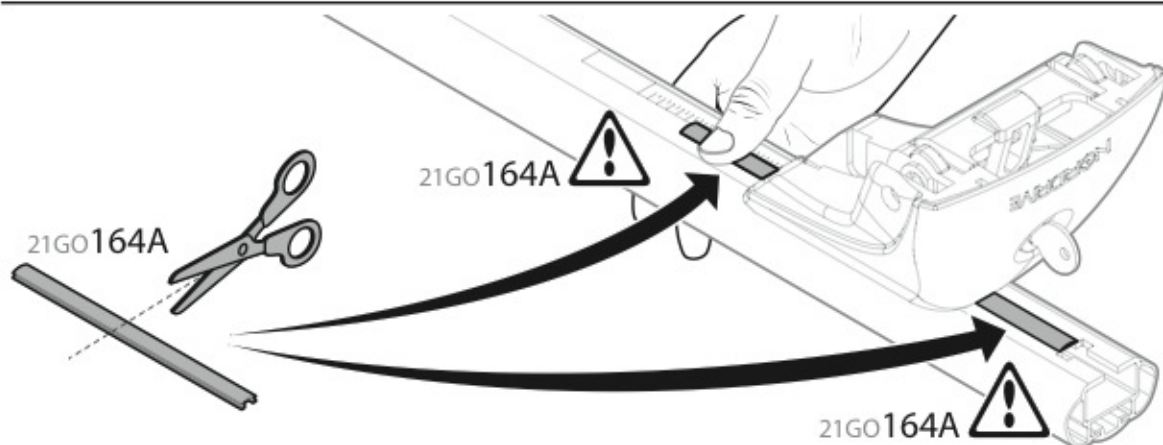




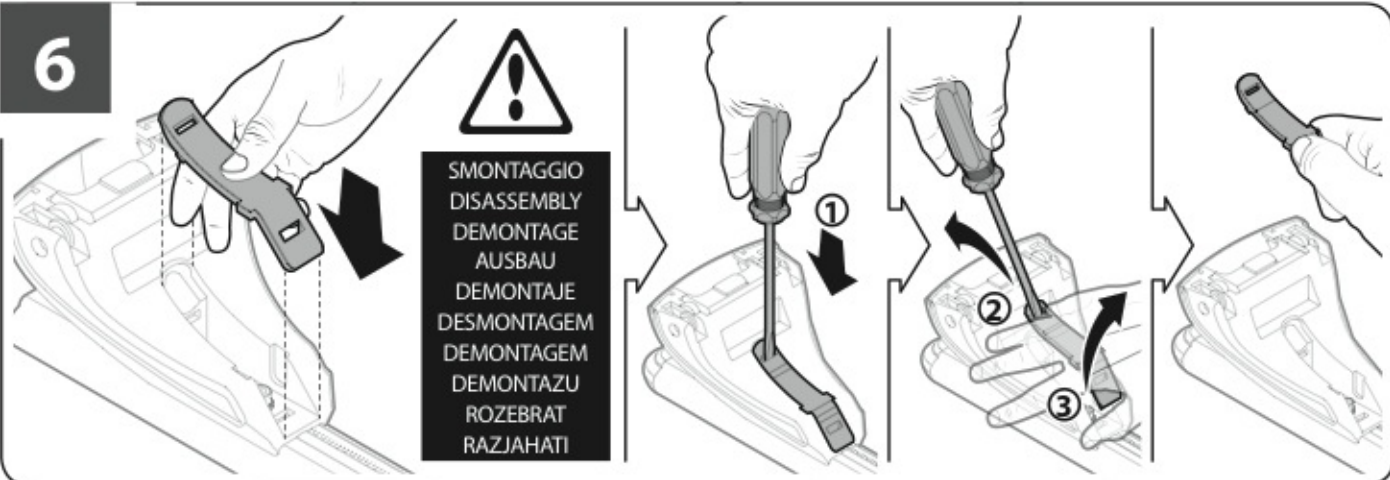
4



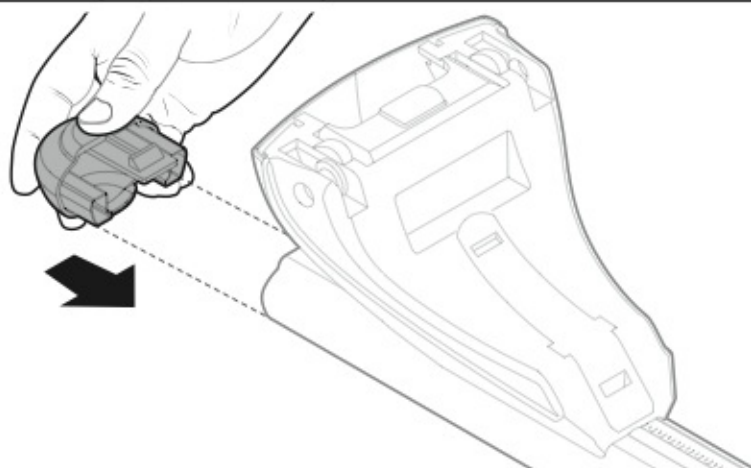
5



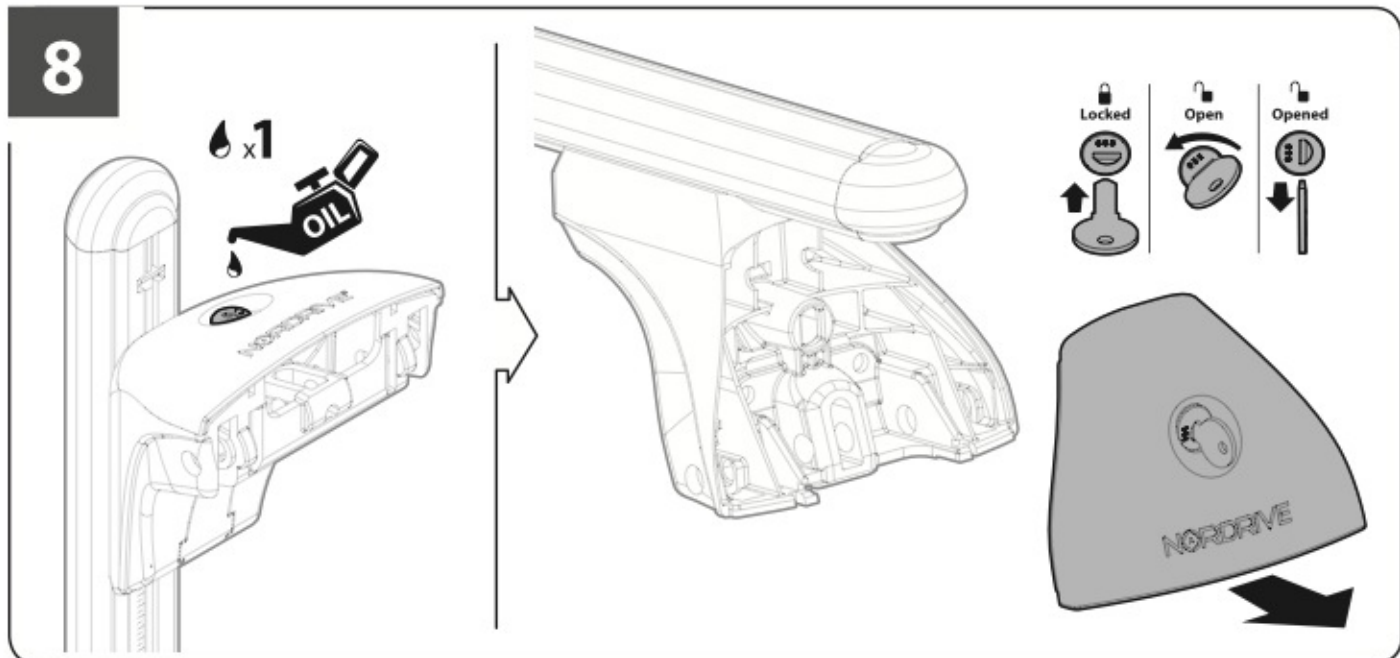
6



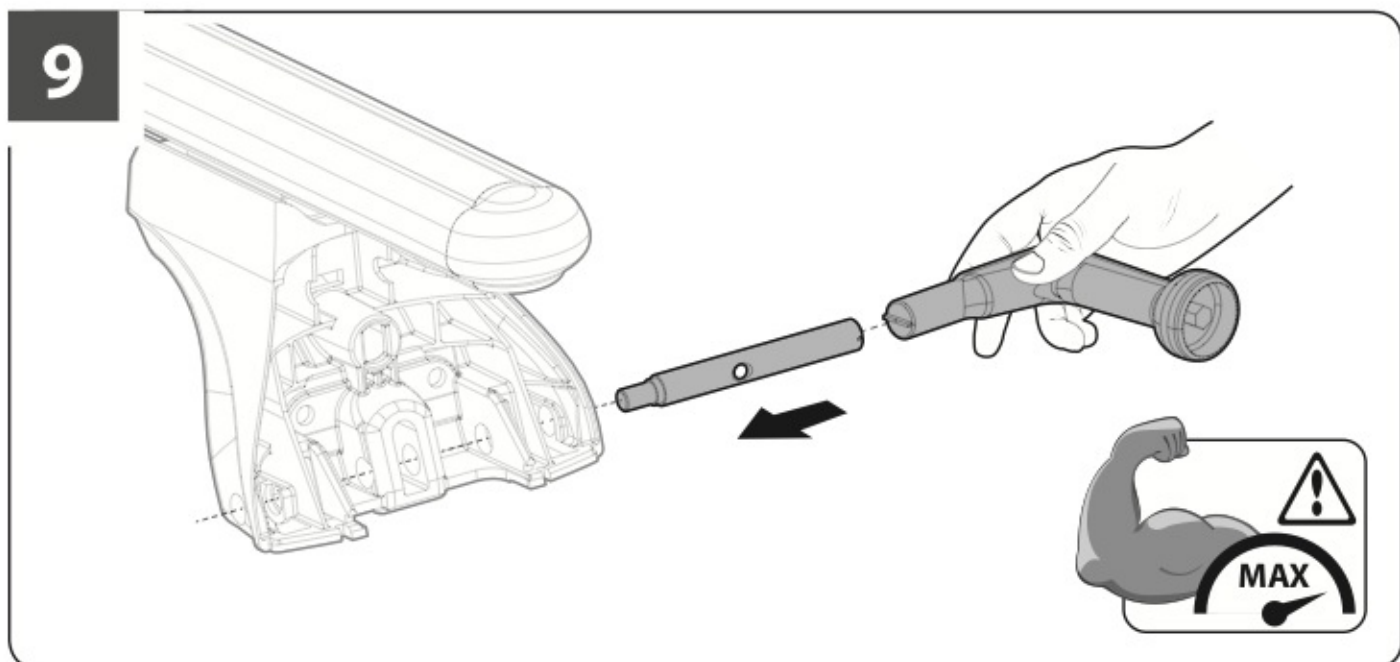
7



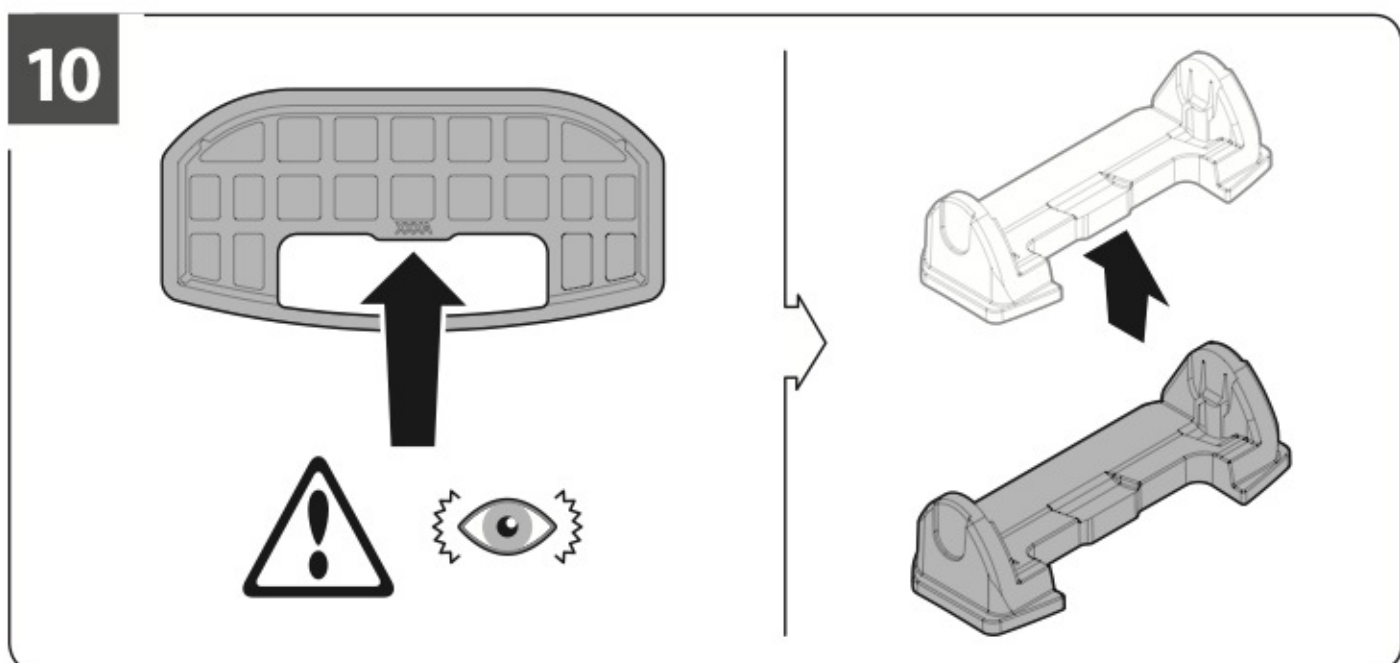
8



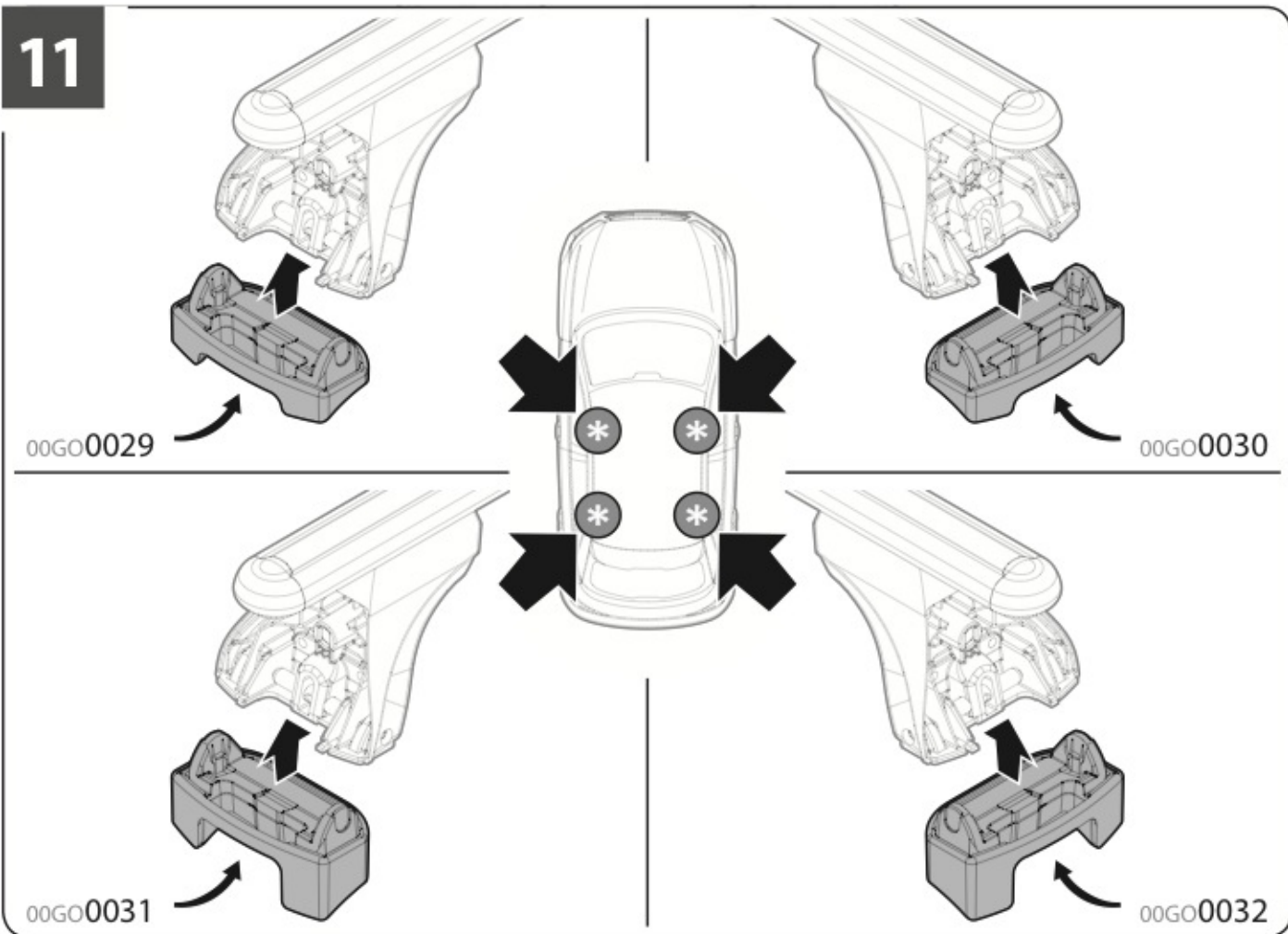
9



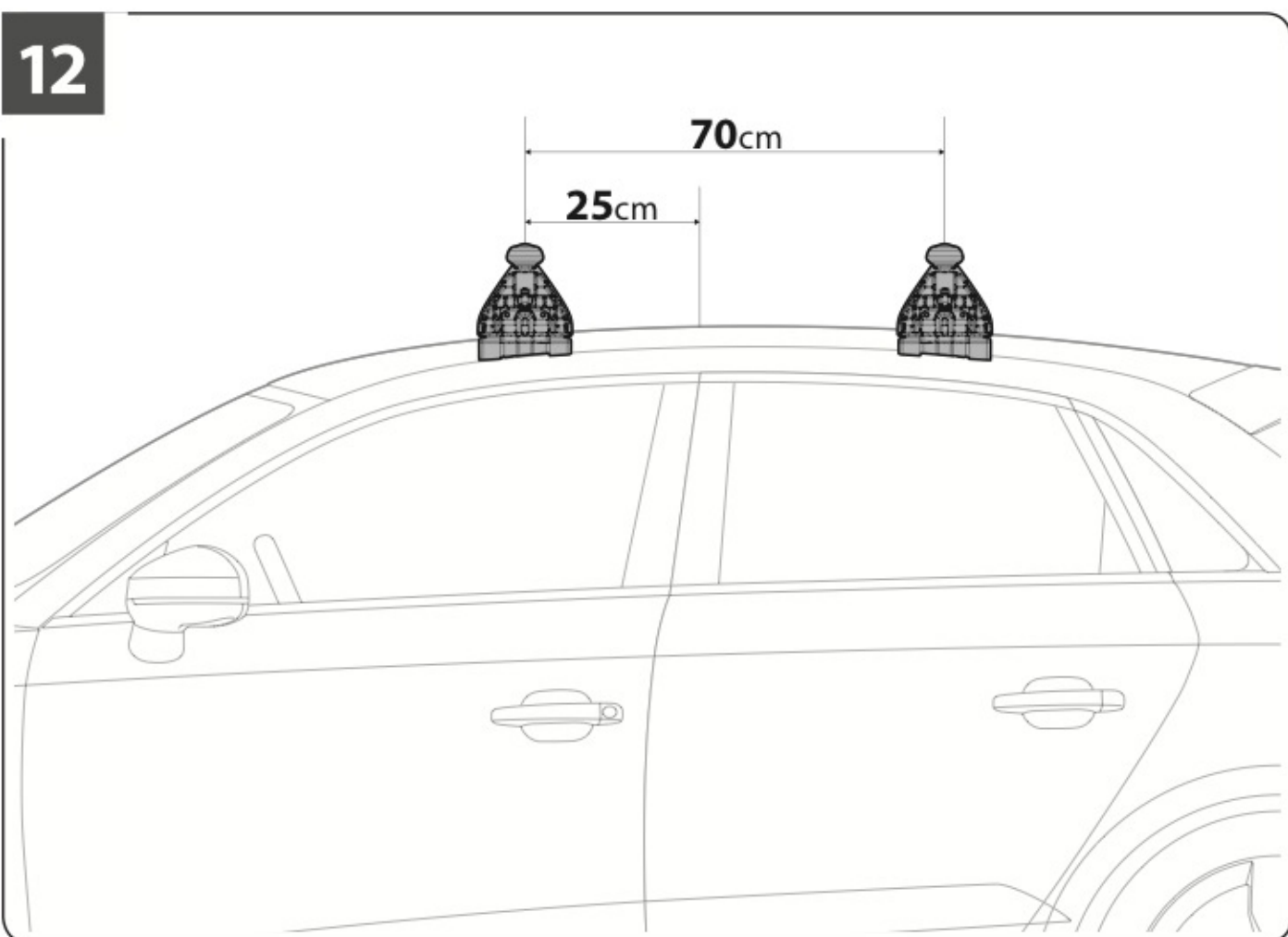
10



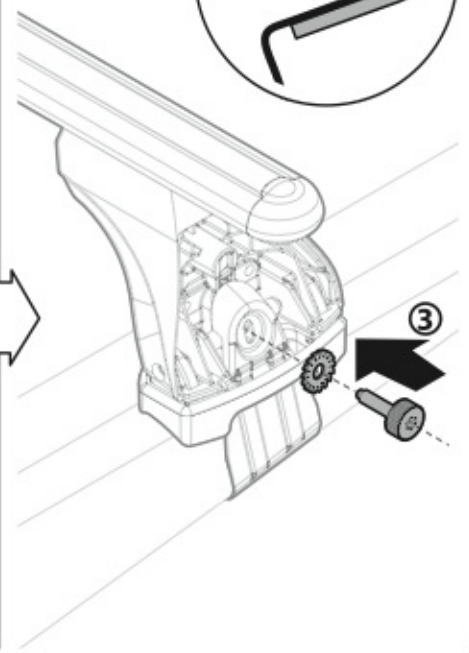
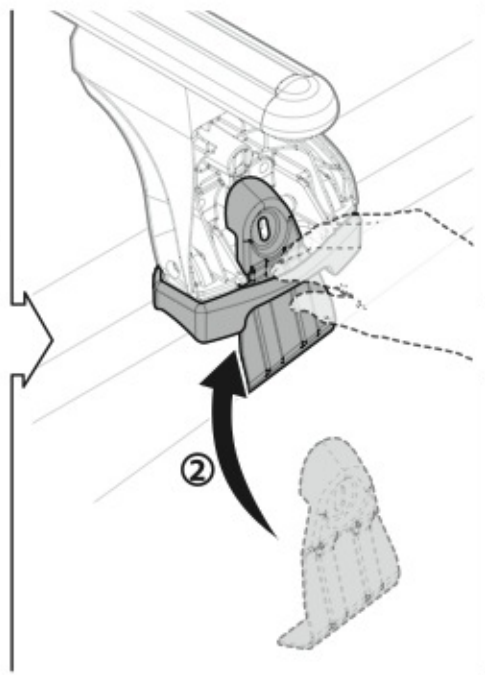
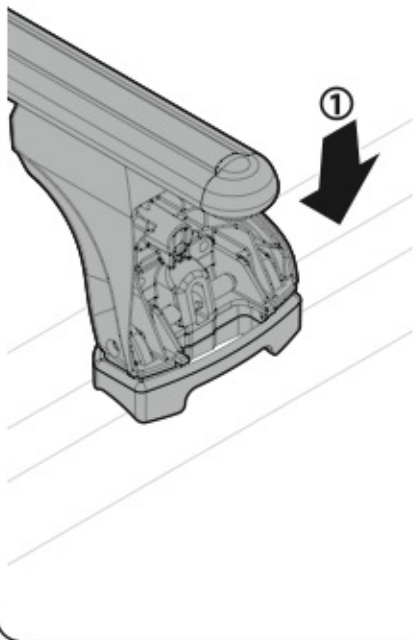
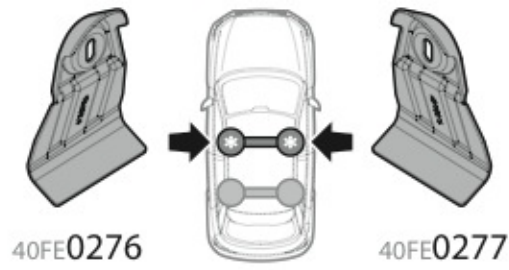
11



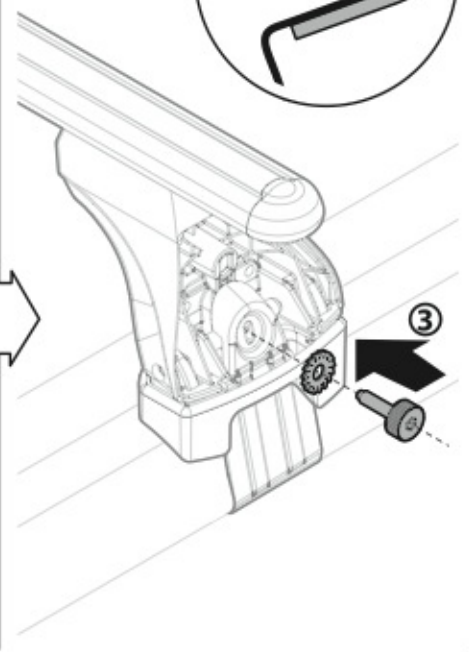
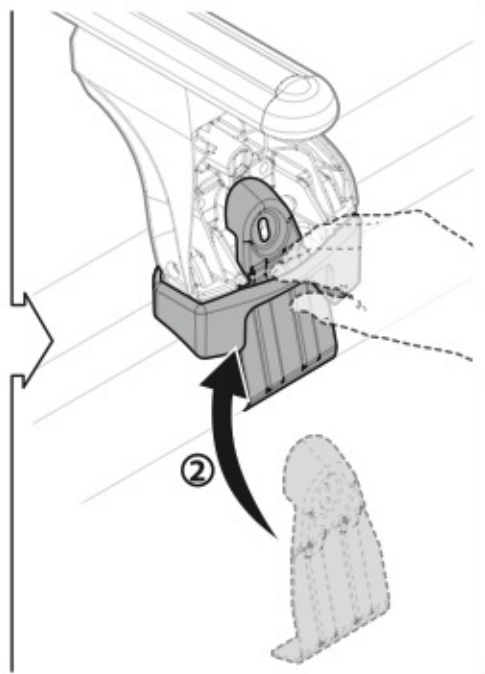
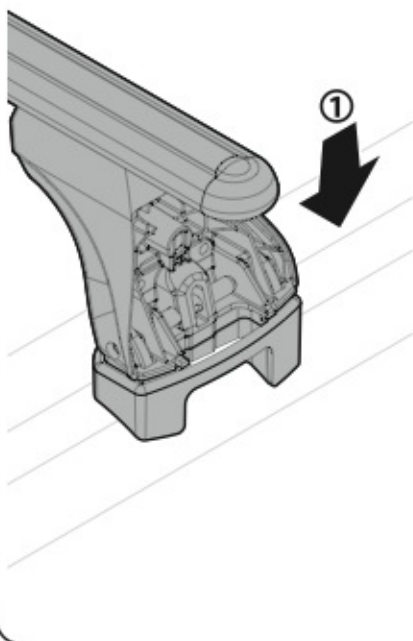
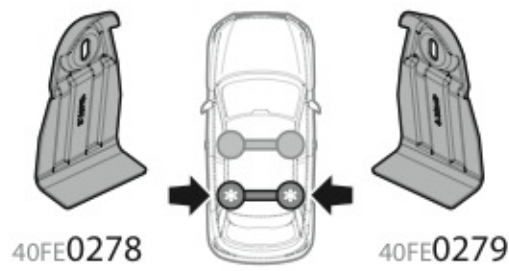
12



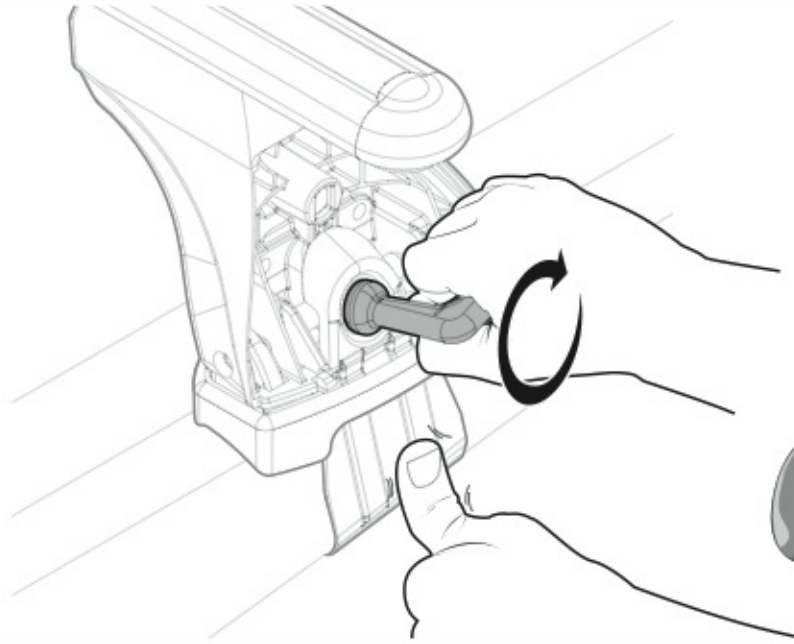
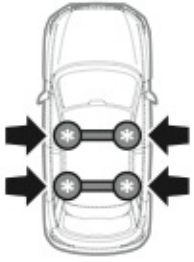
13



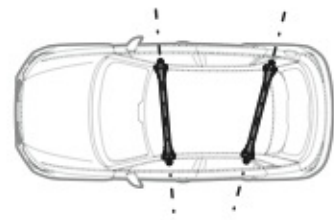
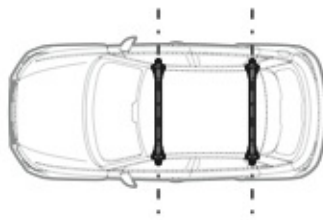
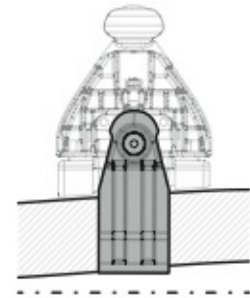
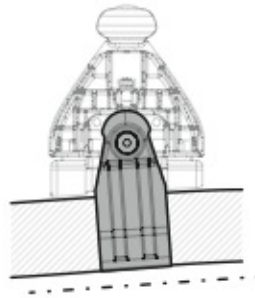
14



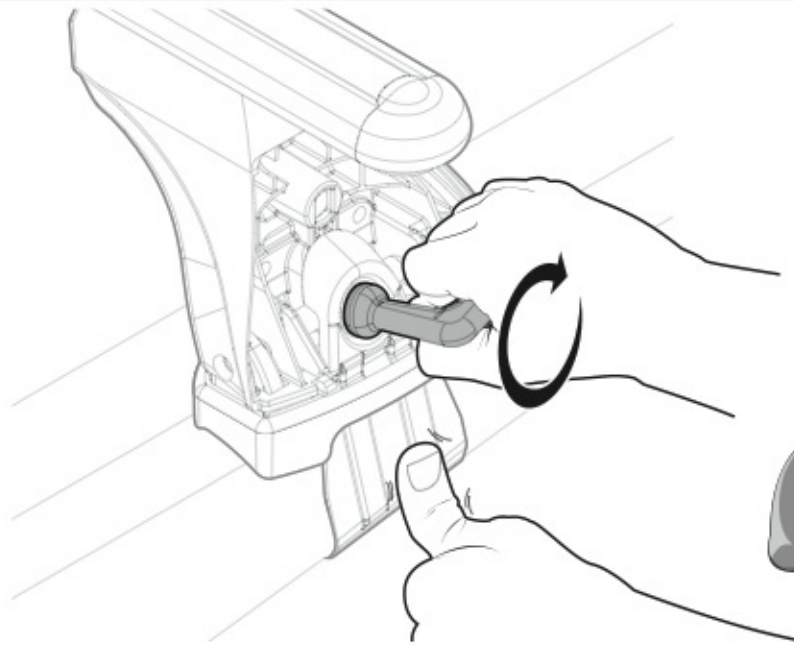
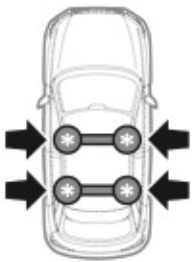
15



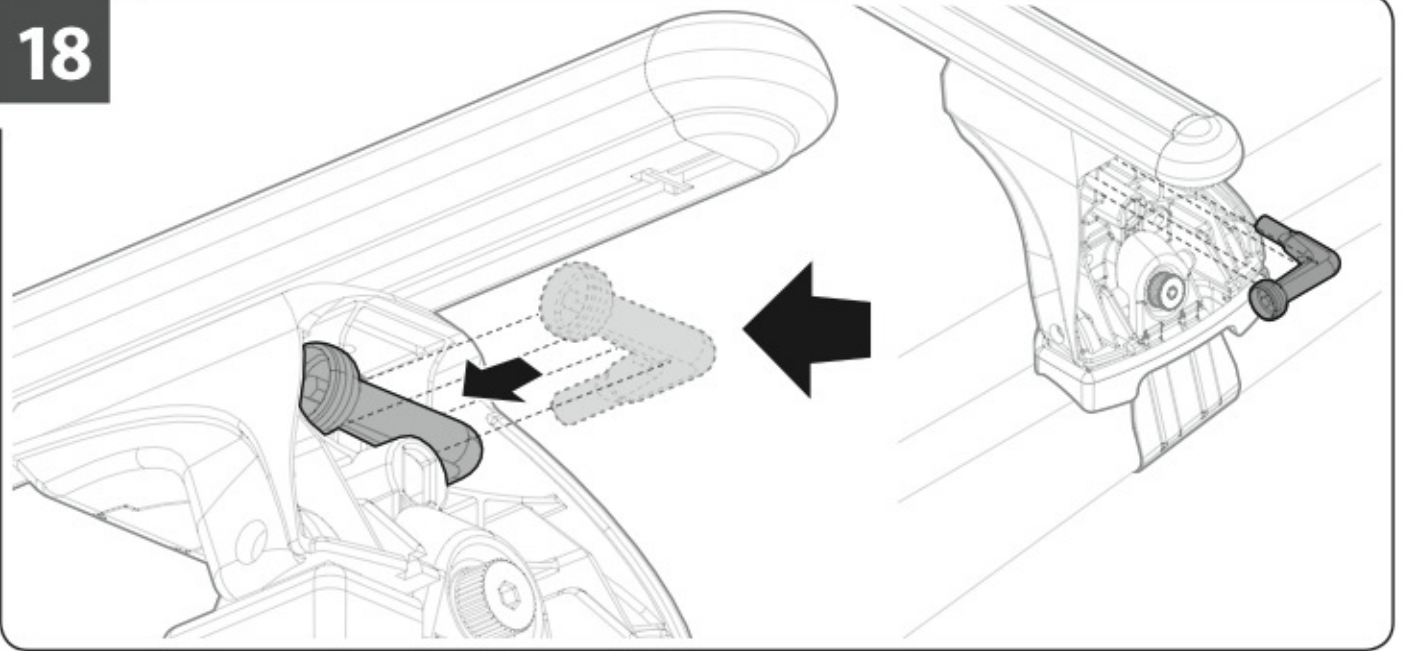
16



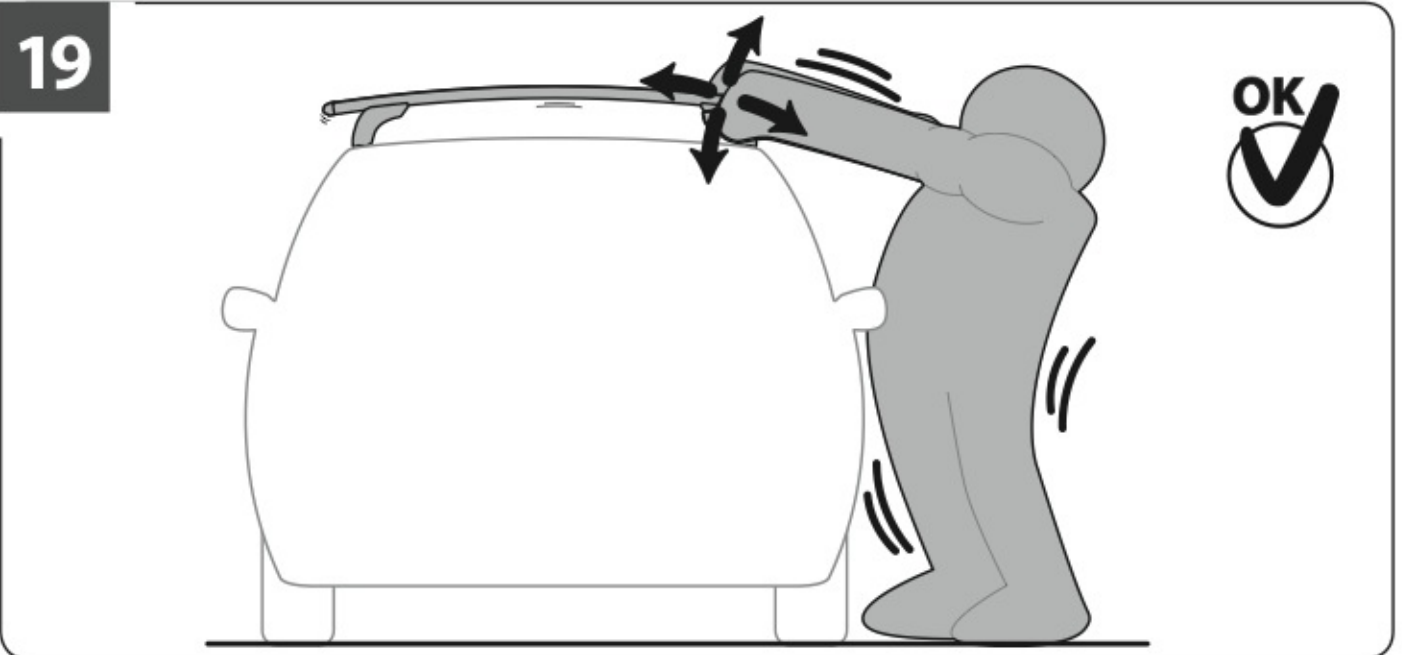
17



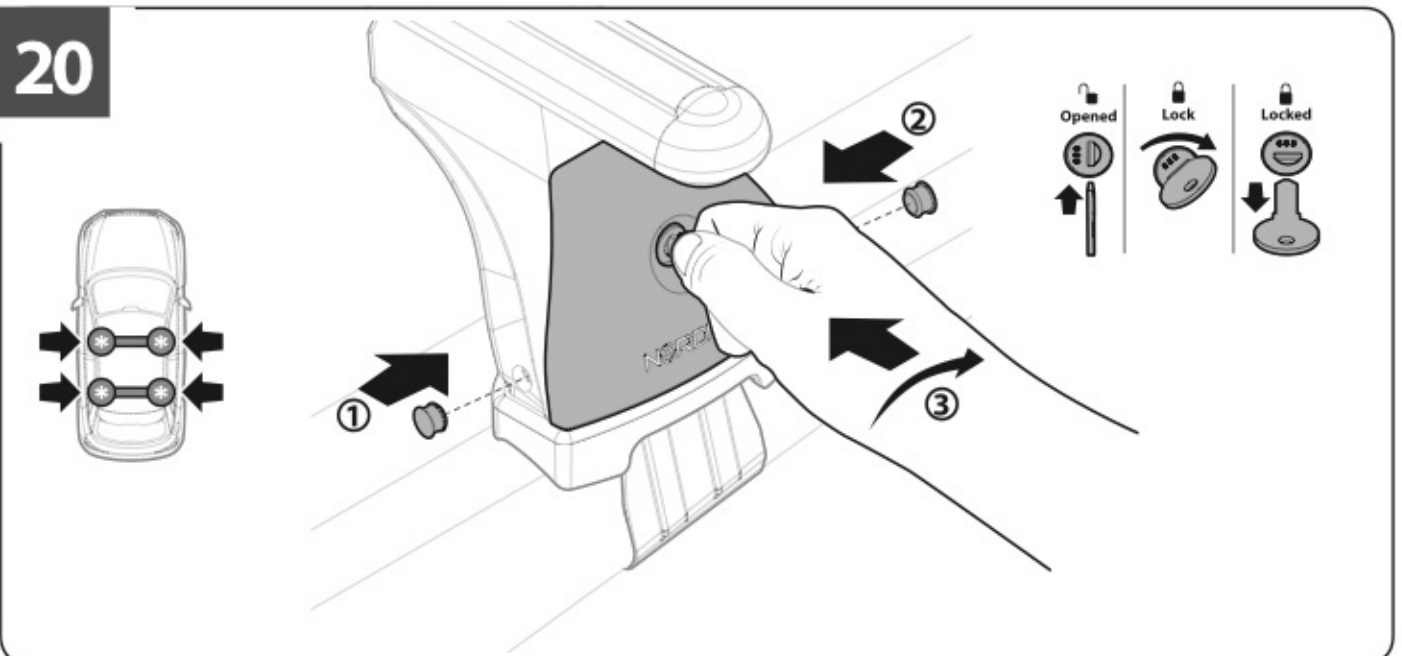
18



19



20



EVOS

NORDRIVE[®]
TRANSPORT SOLUTIONS

is a registered trade mark of

LAMPA S.p.A.

Via G. Rossa 53/55, 46019 Viadana (MN) ITALY

Tel. +39 0375 820700

UNI EN ISO 9001:2008 Certified Company

www.nordrive.it

www.lampa.it