

# EVOS

## NORDDRIVE

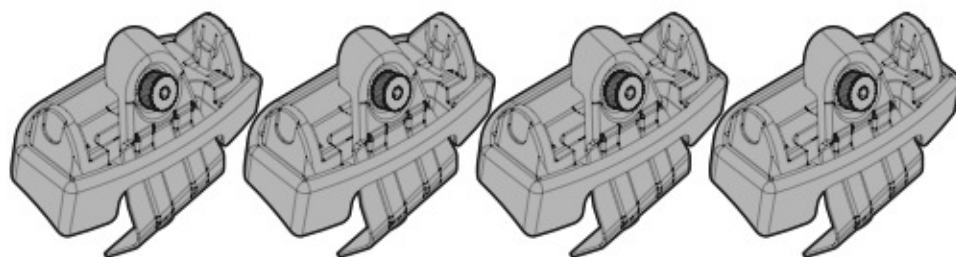
TRANSPORT SOLUTIONS

ALFA ROMEO  
GIULIA

2022  
06/16 →

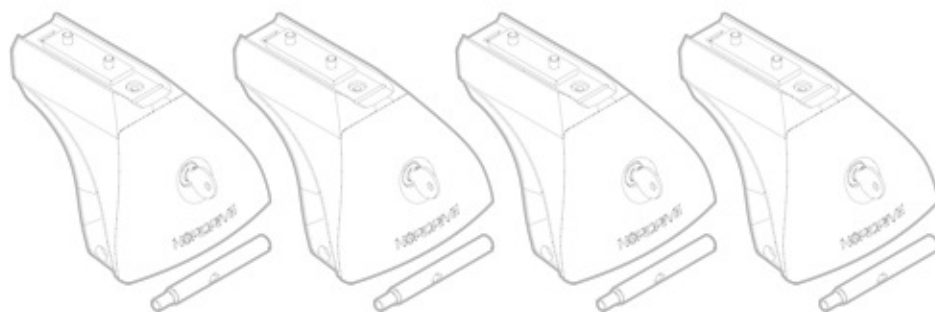


Art. N21199



+

Art. N20001



B

+

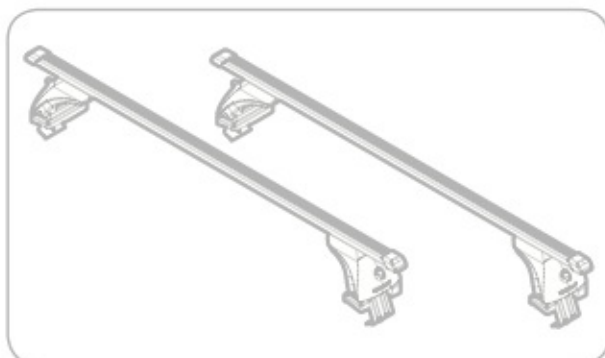
Art. N15020 **M**



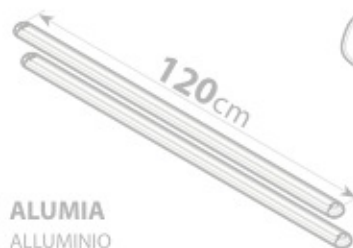
A

QUADRA  
ACCIAIO  
Steel

=



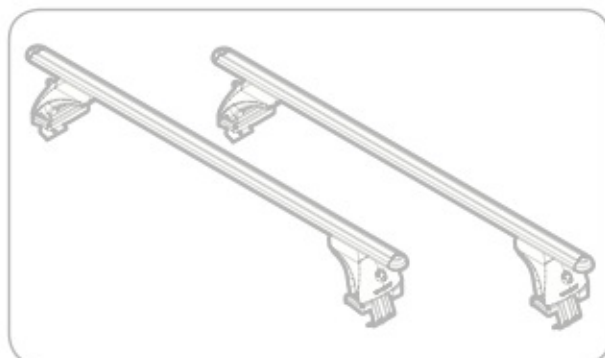
Art. N15025 **M**






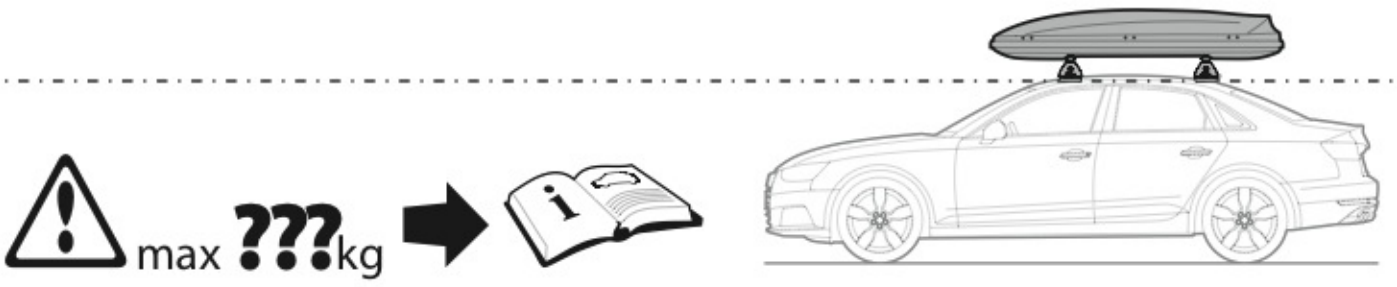
A

ALUMIA  
ALLUMINIO  
Aluminium

=



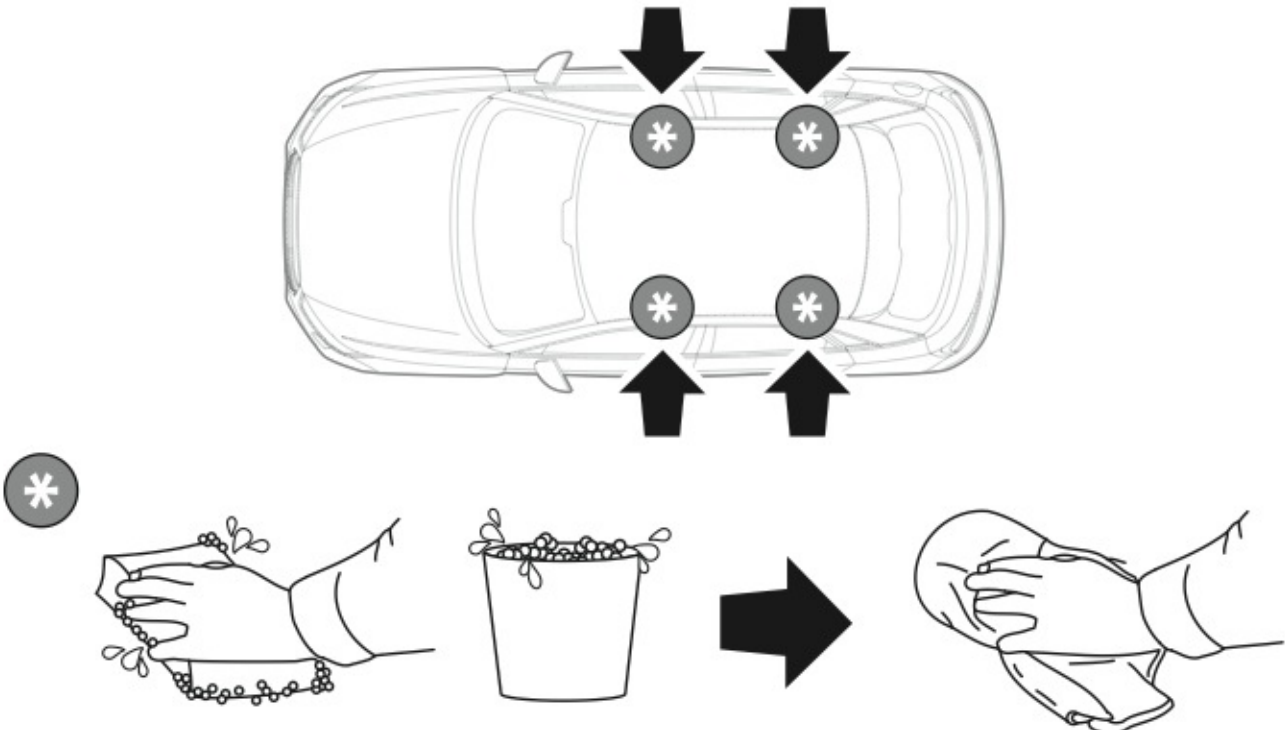

 + 
 
 + 
 
 = max kg. **75**





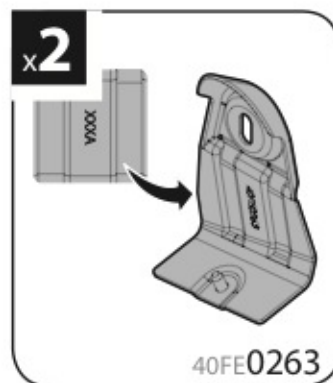
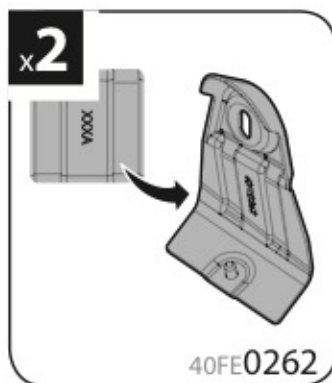
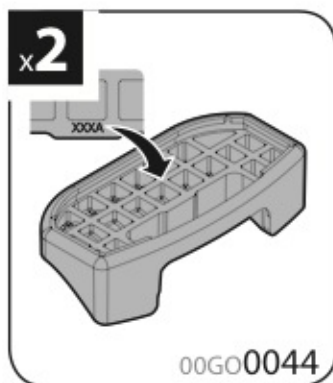
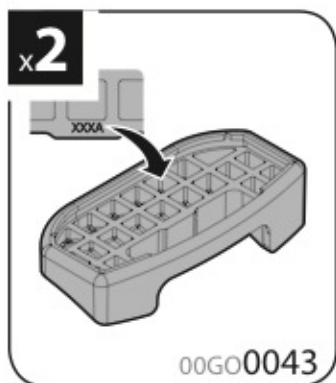


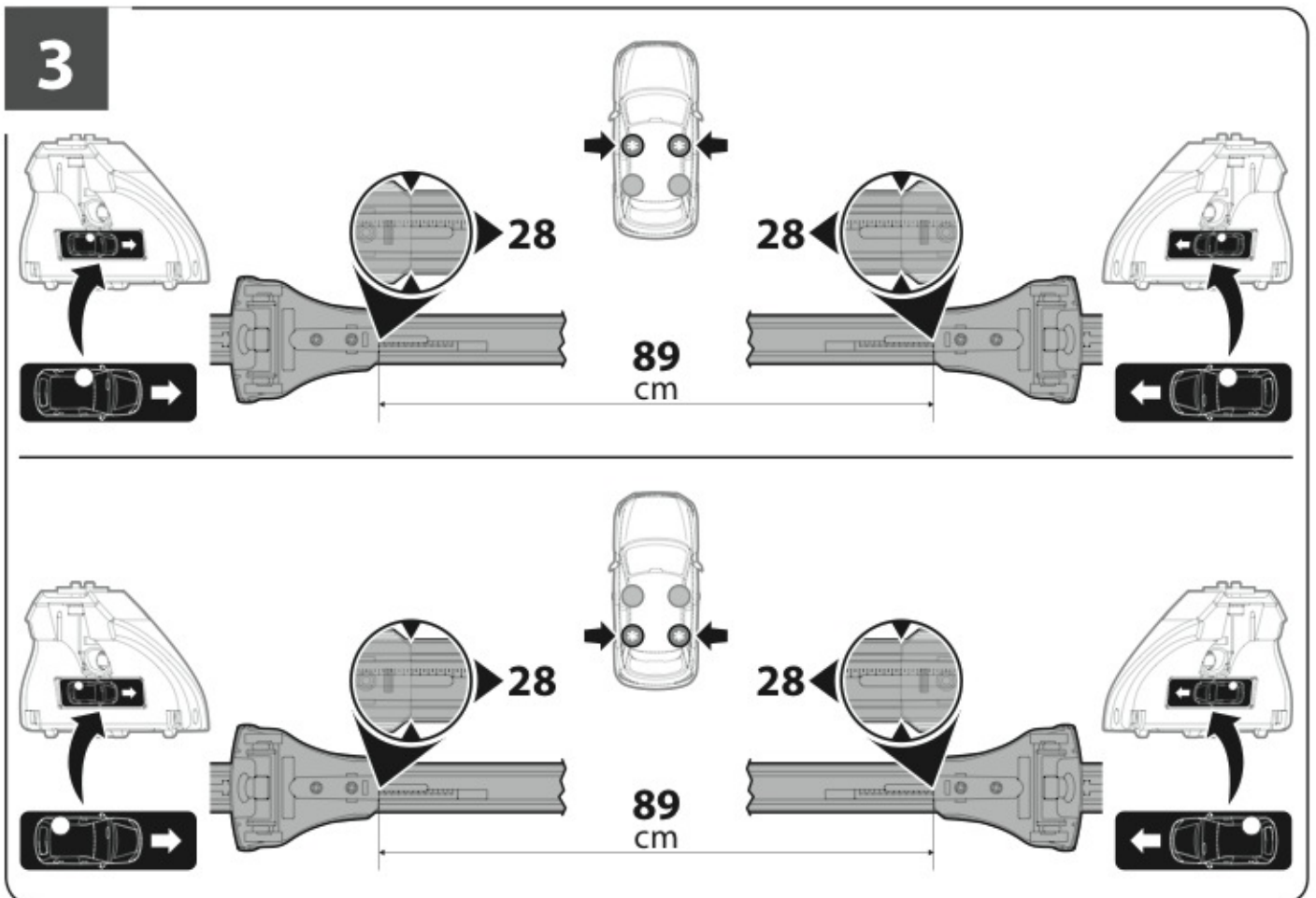
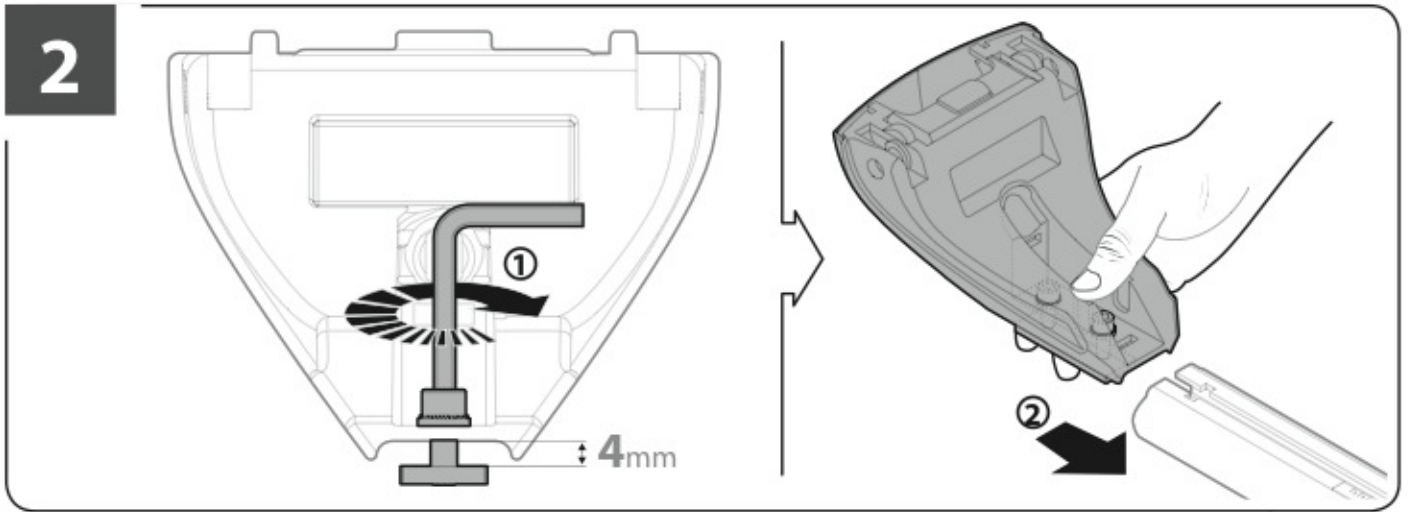
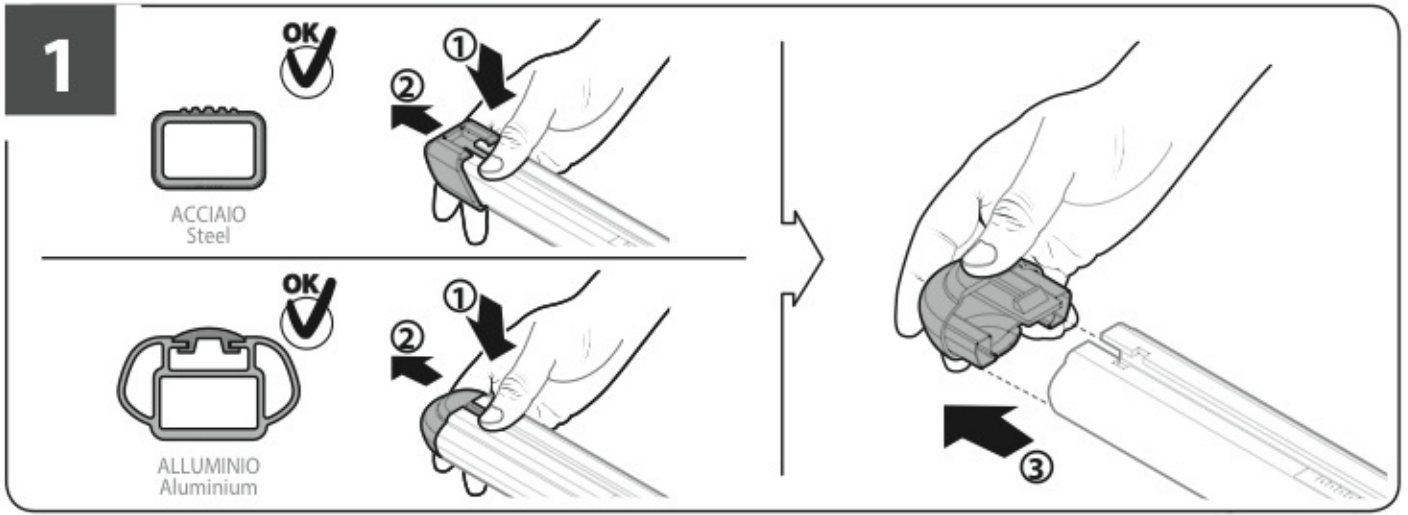
SAFETY REGULATIONS

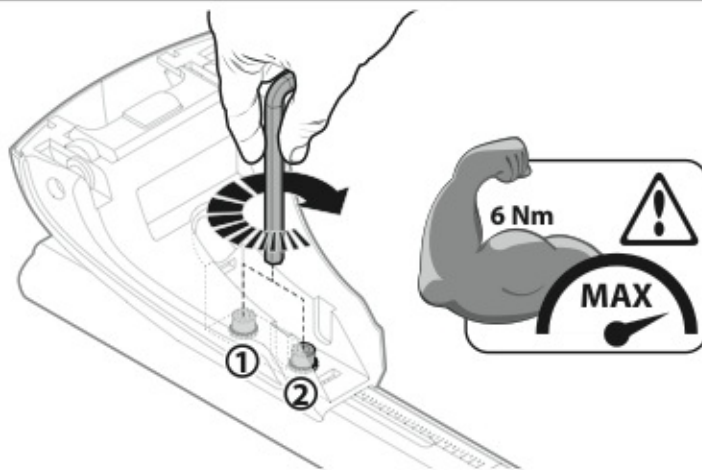


Art. **N21199**

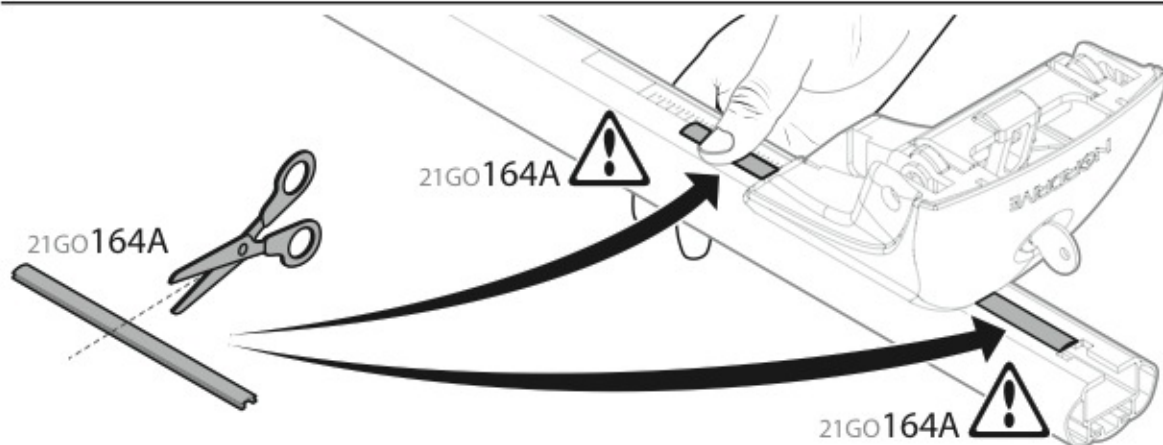




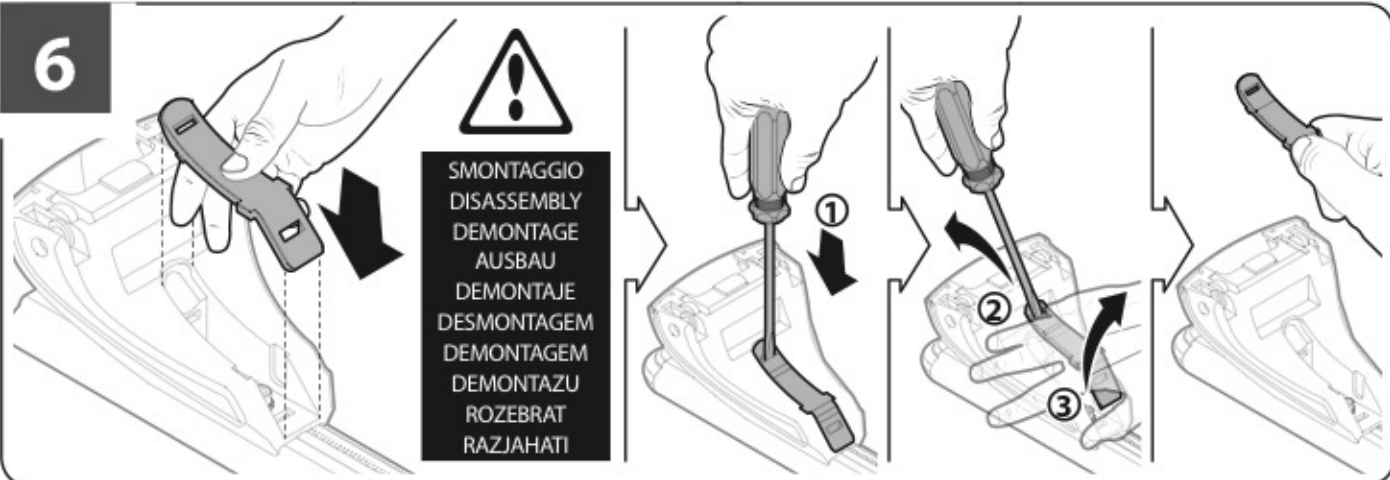
4



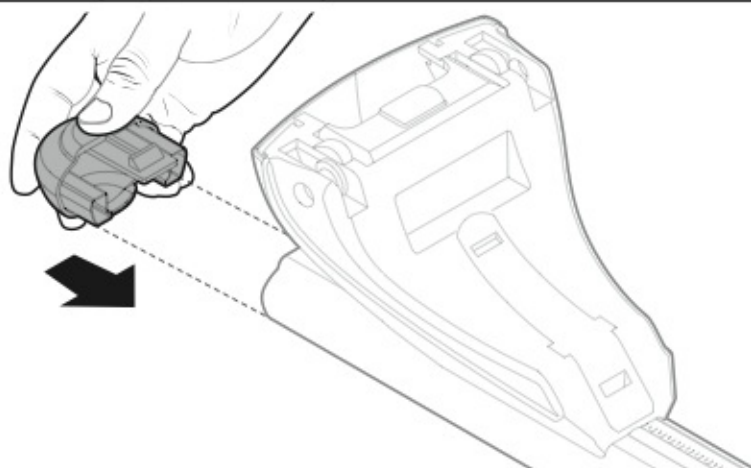
5



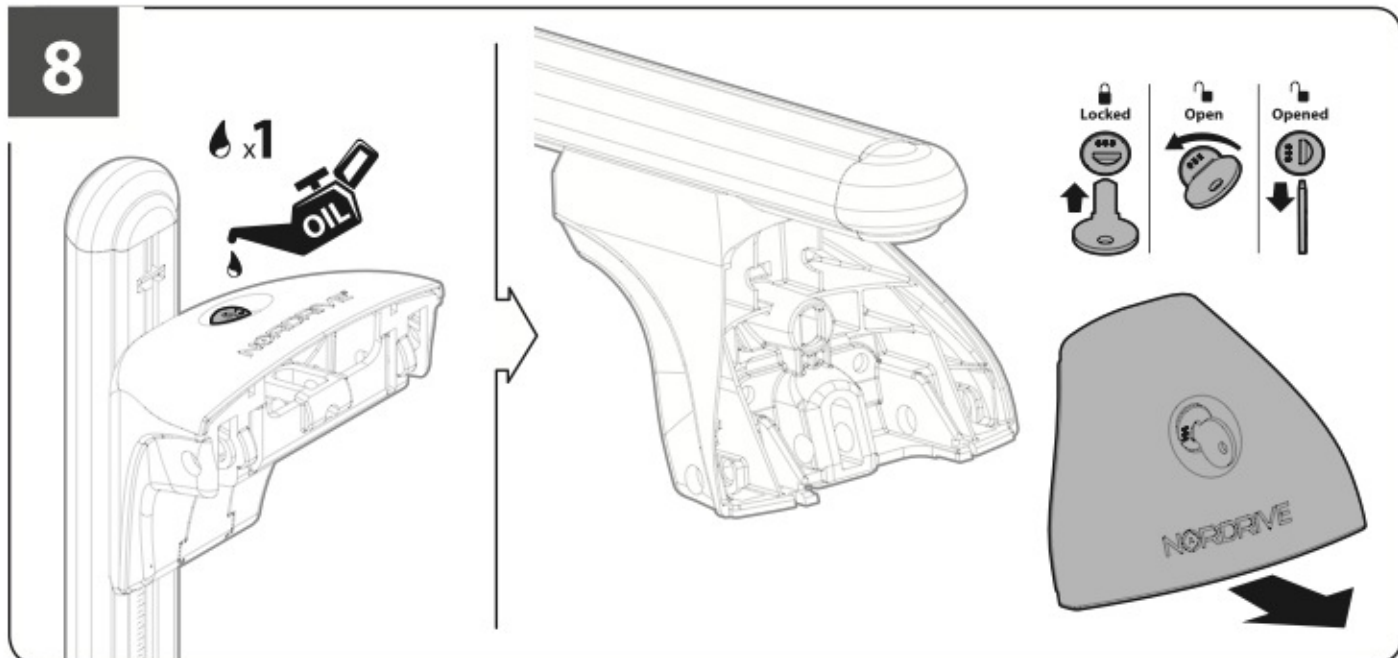
6



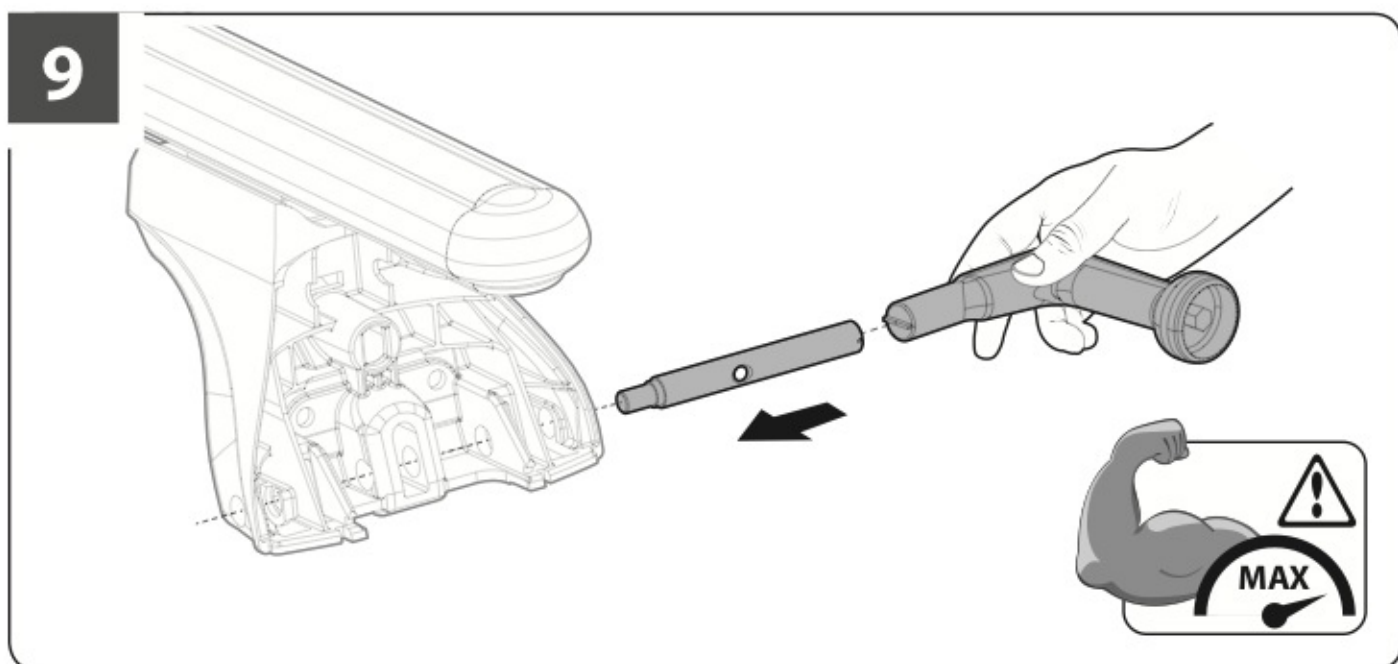
7



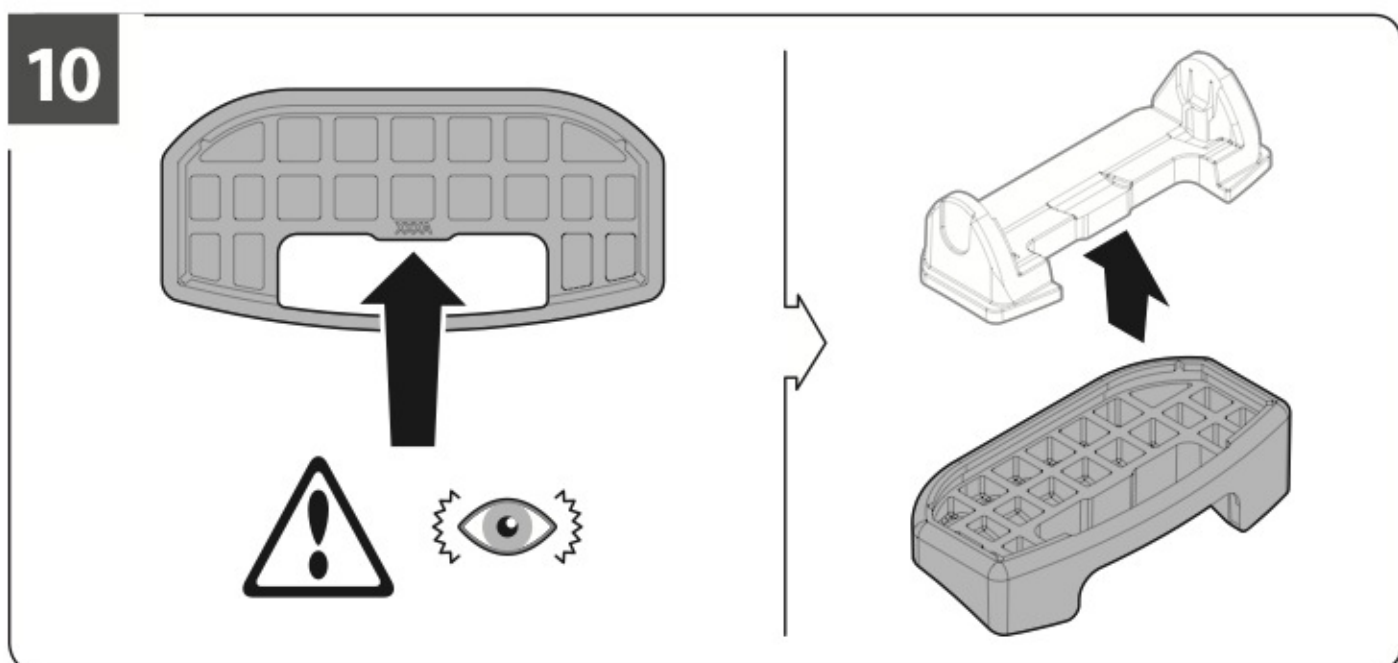
8



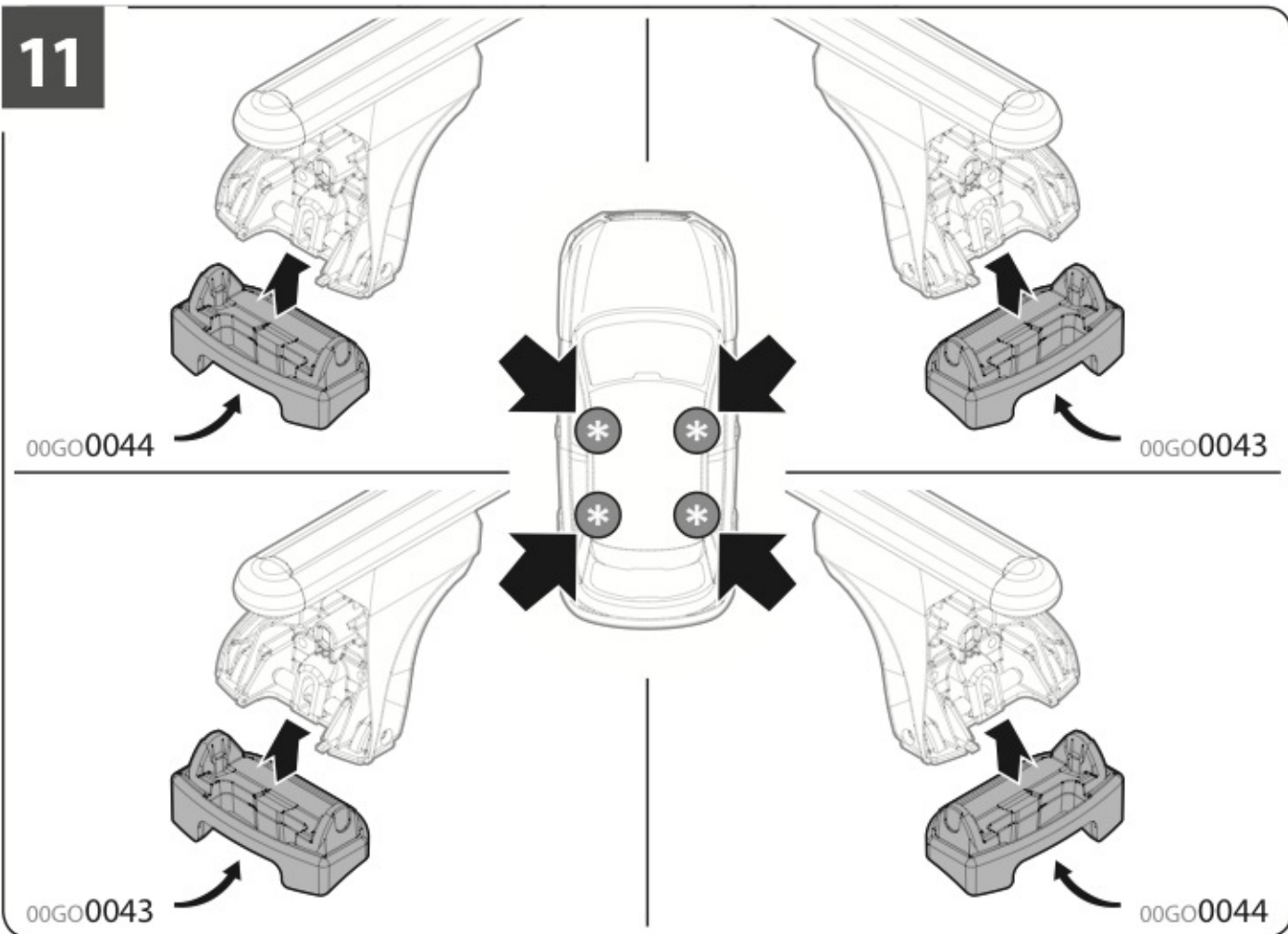
9



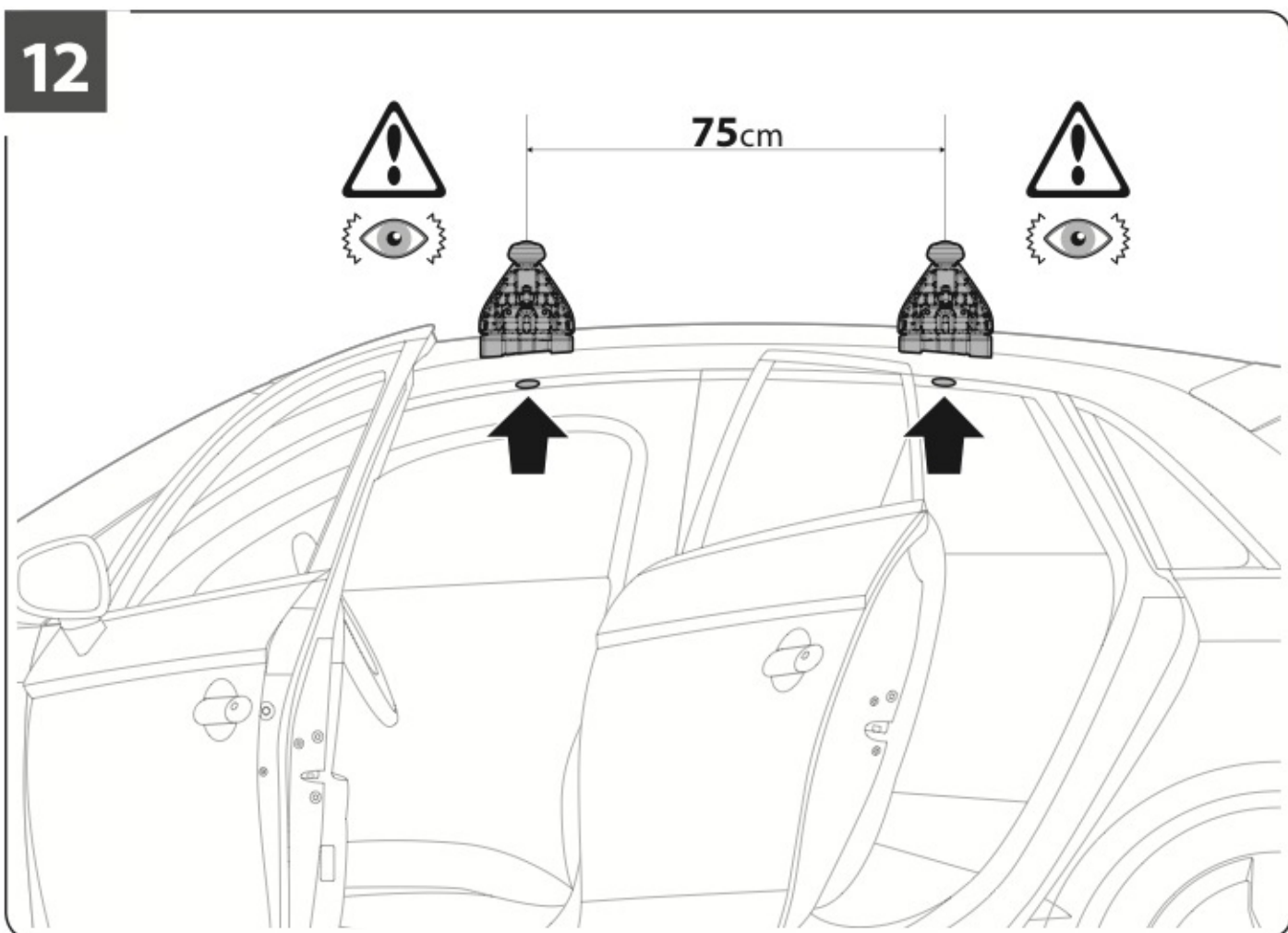
10



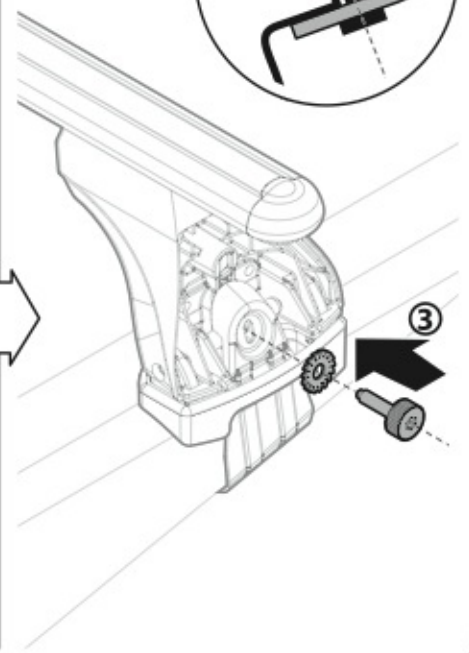
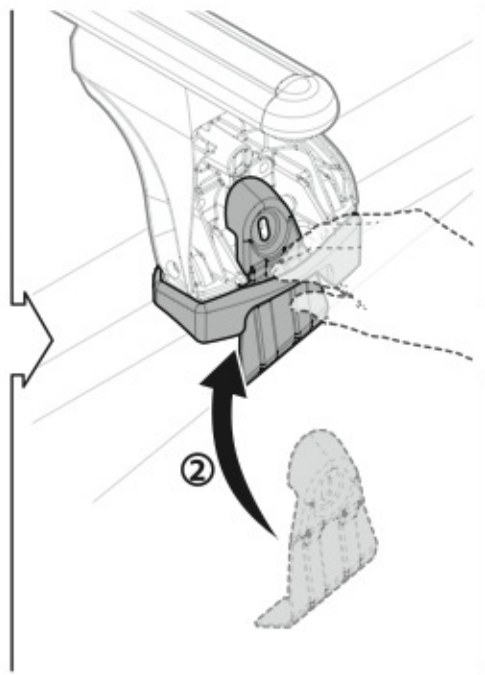
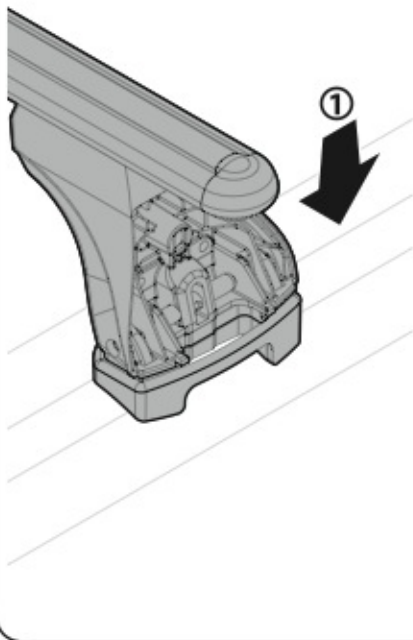
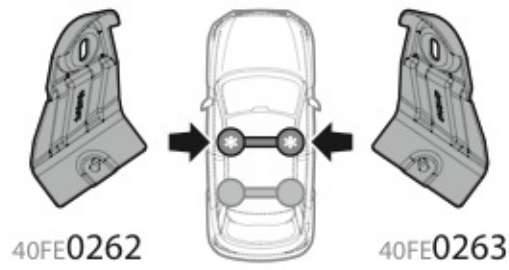
11



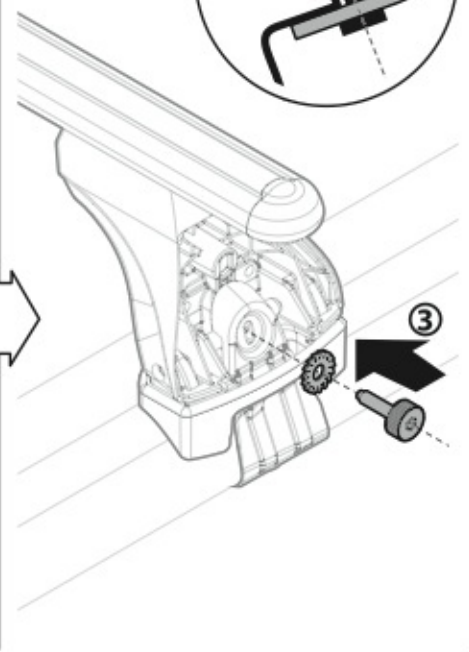
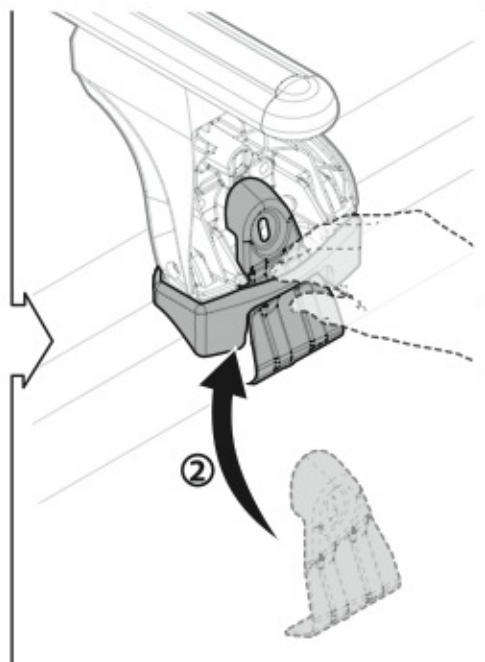
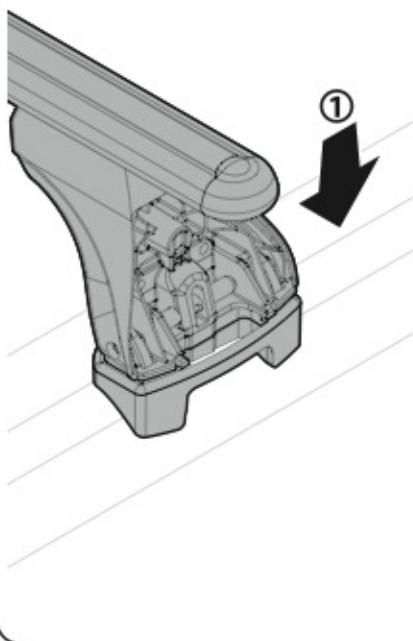
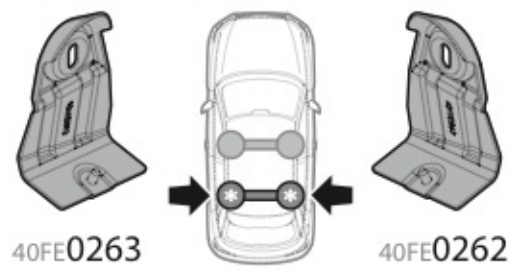
12



# 13

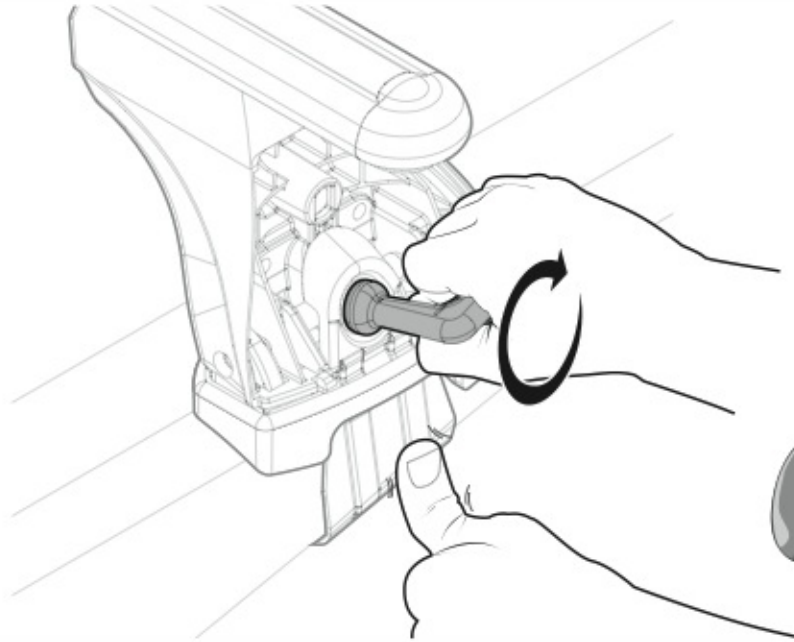
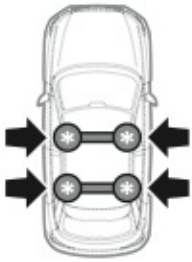


# 14

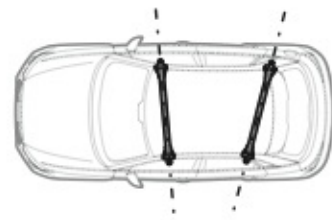
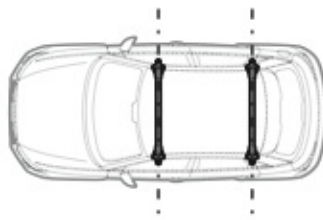
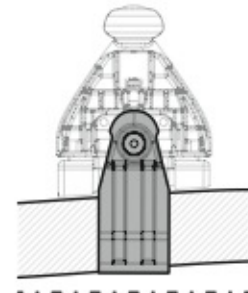
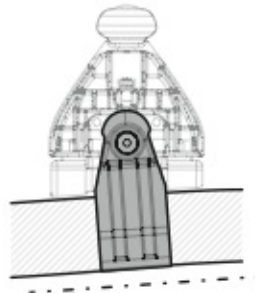




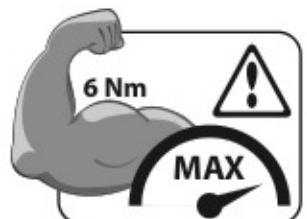
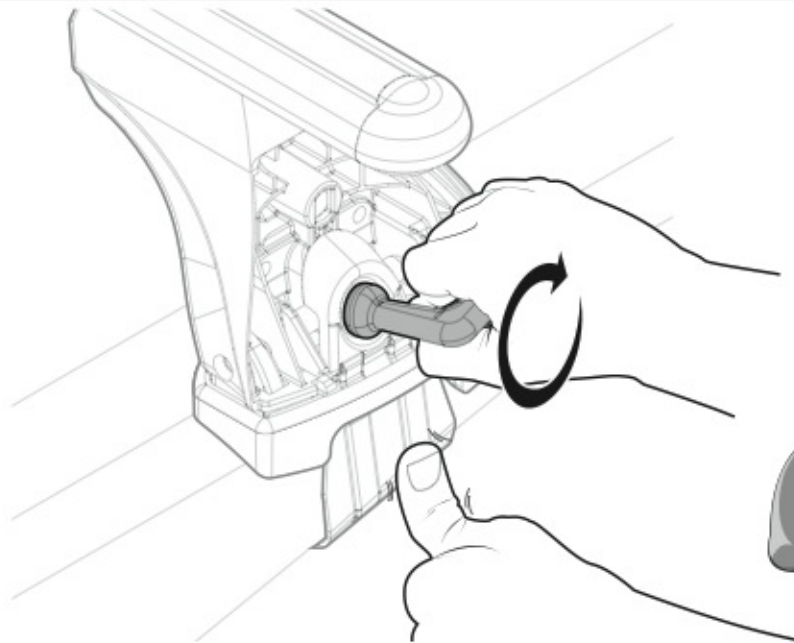
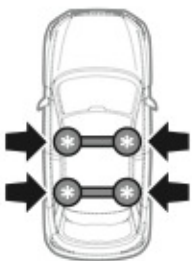
15



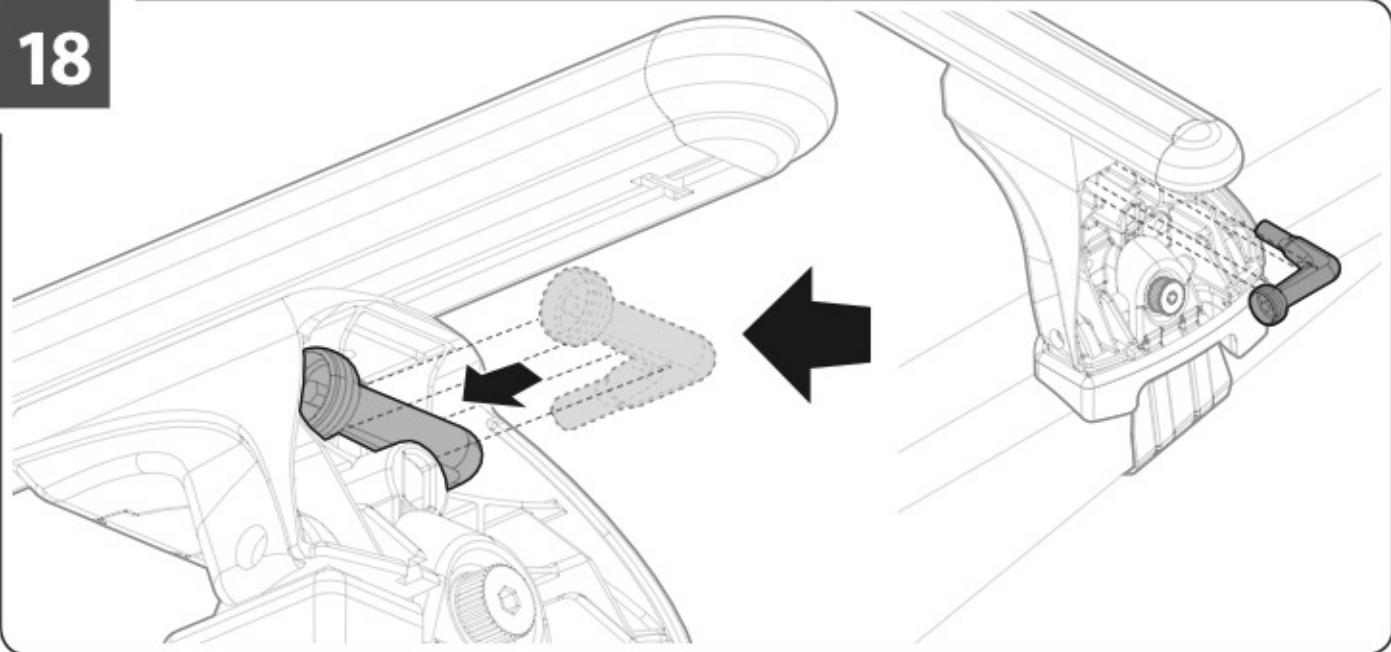
16



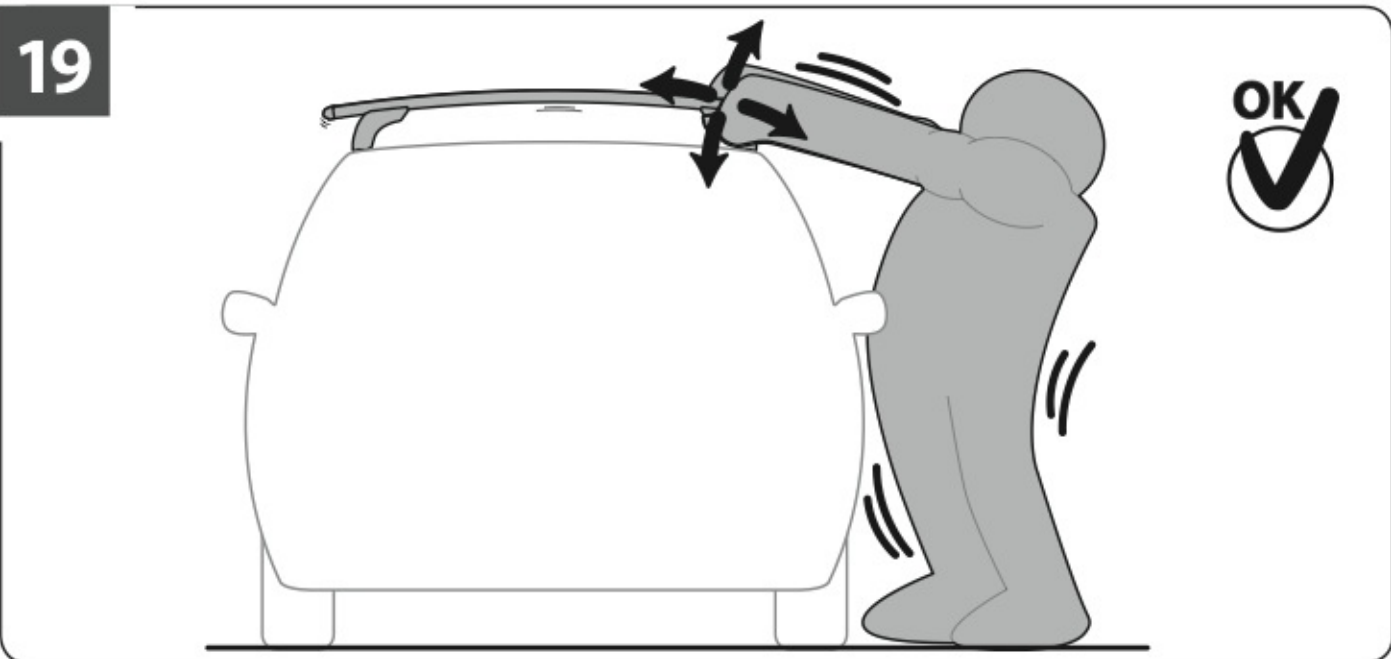
17



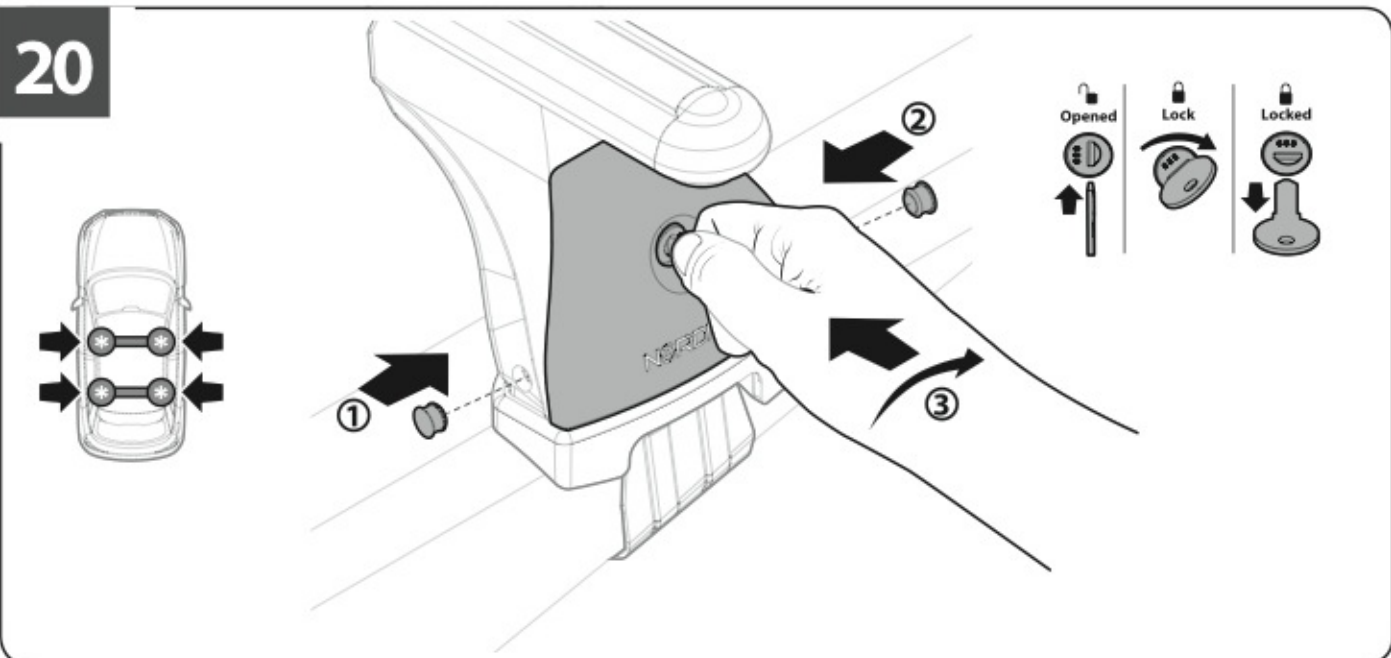
18



19



20





# EVOS

**NORDRIVE**<sup>®</sup>  
TRANSPORT SOLUTIONS

is a registered trade mark of

**LAMPA S.p.A.**

Via G. Rossa 53/55, 46019 Viadana (MN) ITALY

Tel. +39 0375 820700

UNI EN ISO 9001:2008 Certified Company

[www.nordrive.it](http://www.nordrive.it)

[www.lampa.it](http://www.lampa.it)