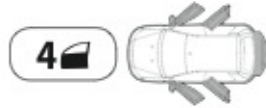


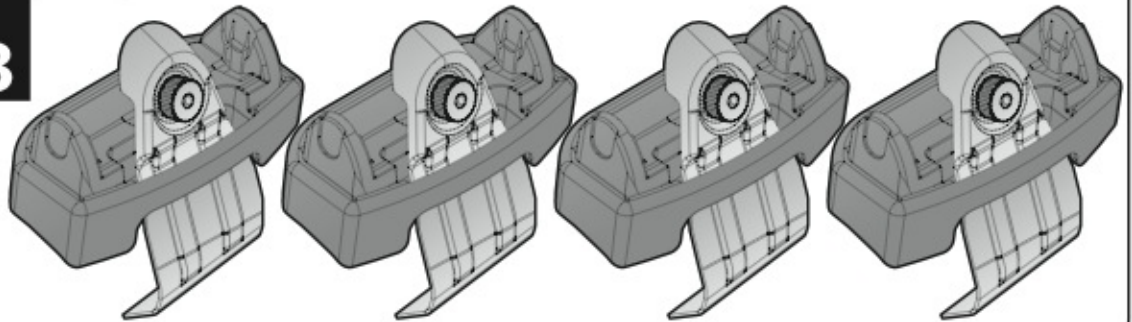
AUDI  
 A4



2008  
 11/15➔



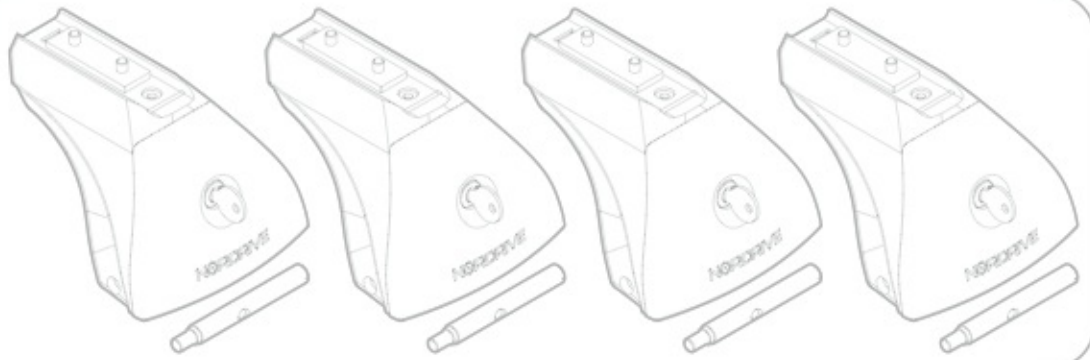
Art.  
**N21183**



**C**



Art. **N20001**



**B**

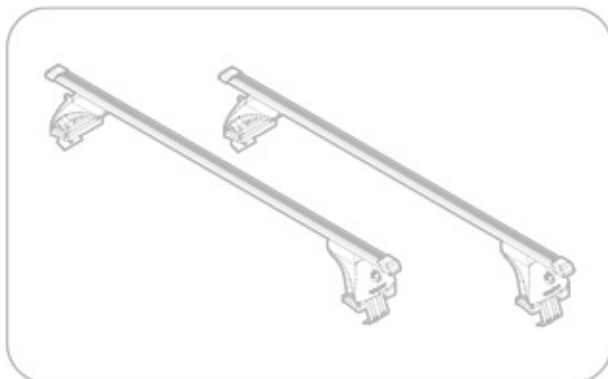


Art. **N15020 M**



**A**

ACCIAIO  
 Steel



Art. **N15025 M**



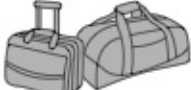


**A**

ALLUMINIO  
 Aluminium



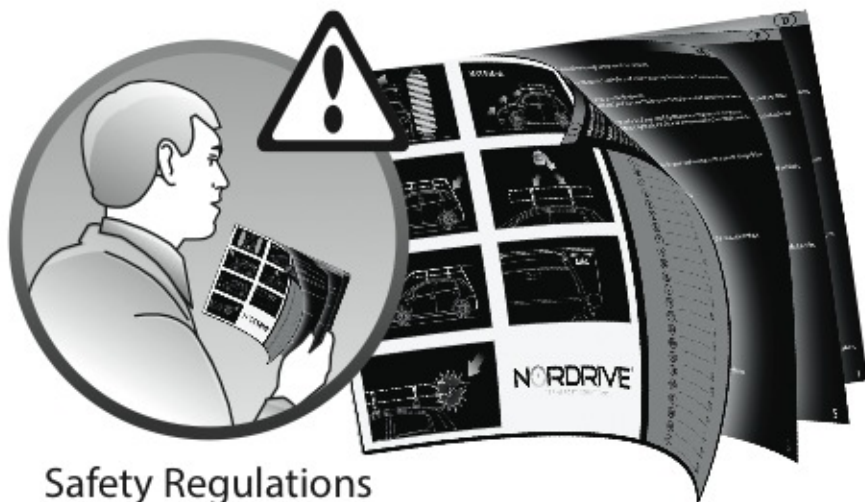
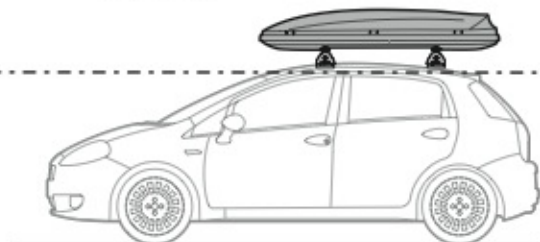


 +  +  = max: **75kg**

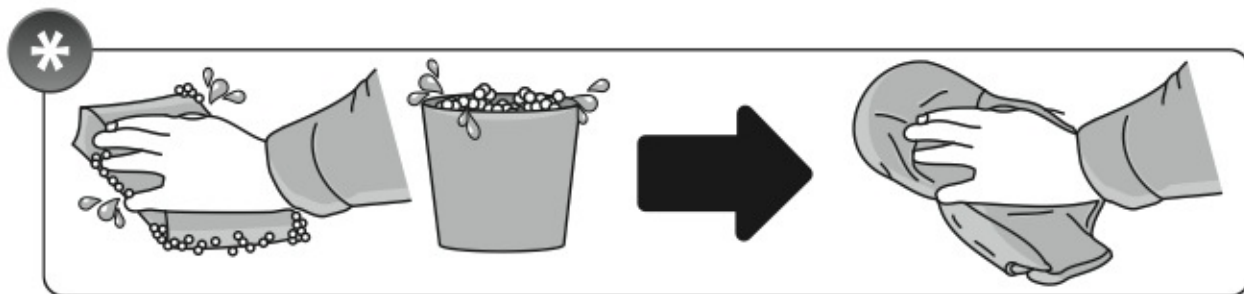
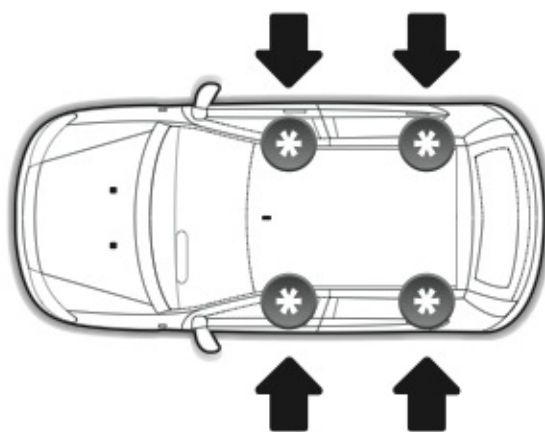
5,5kg



max: **???**kg

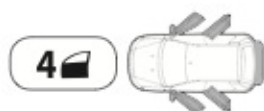


Safety Regulations



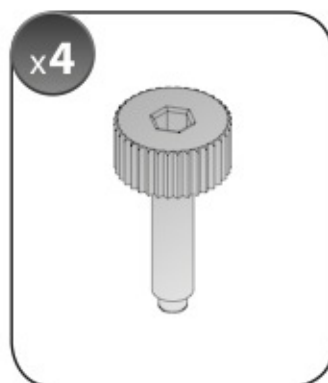
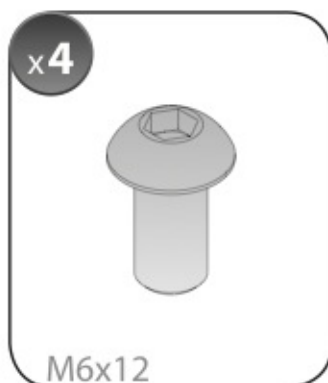
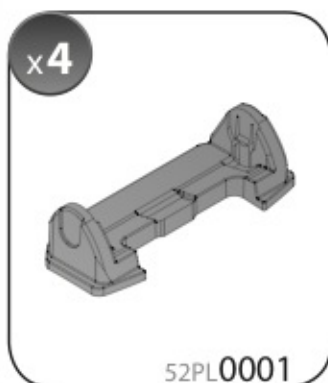
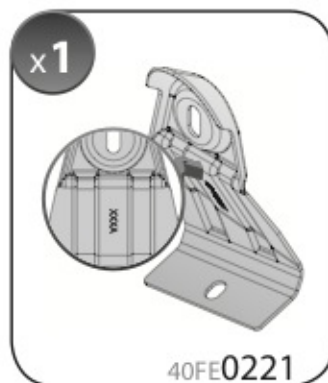
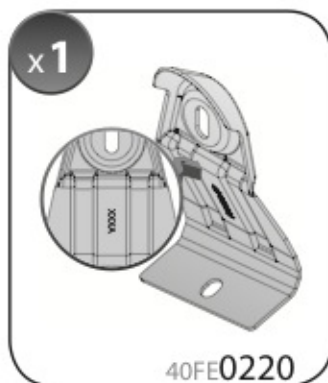
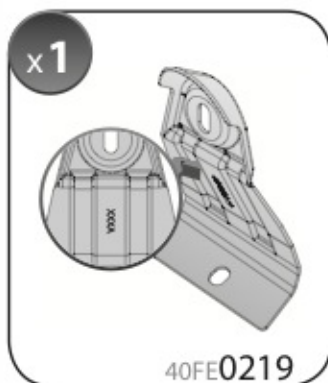
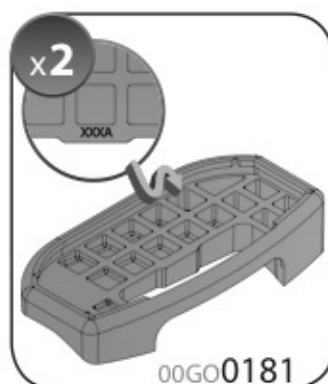
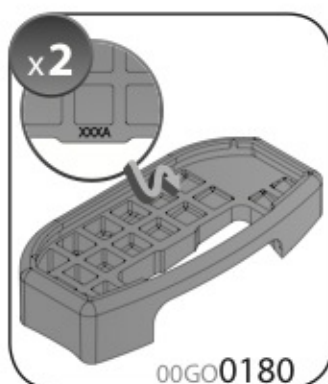
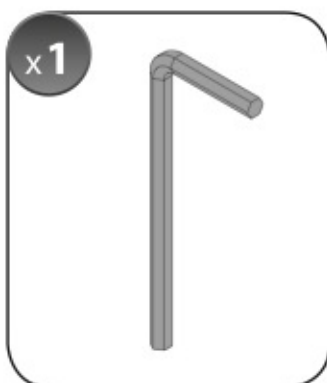


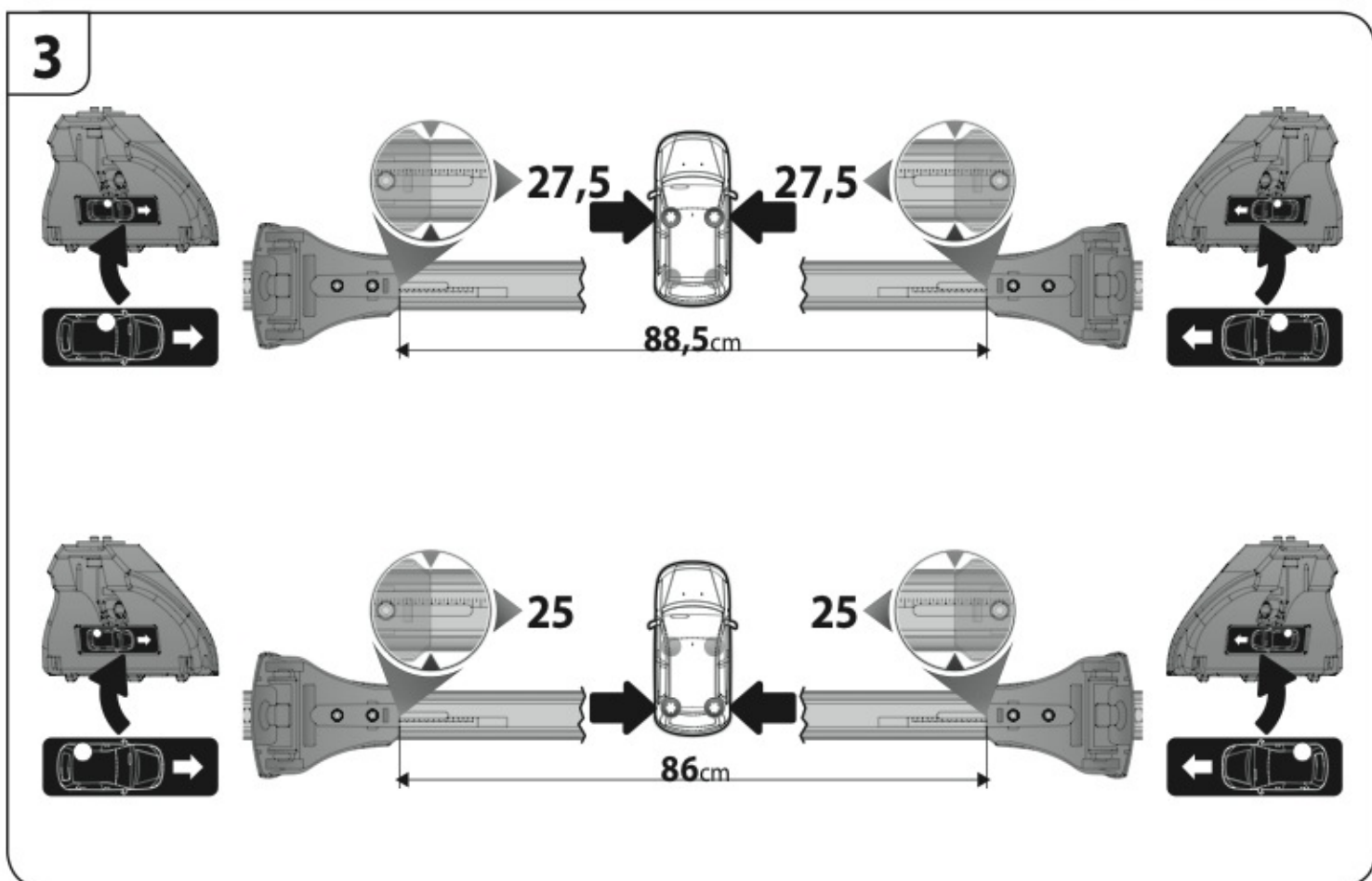
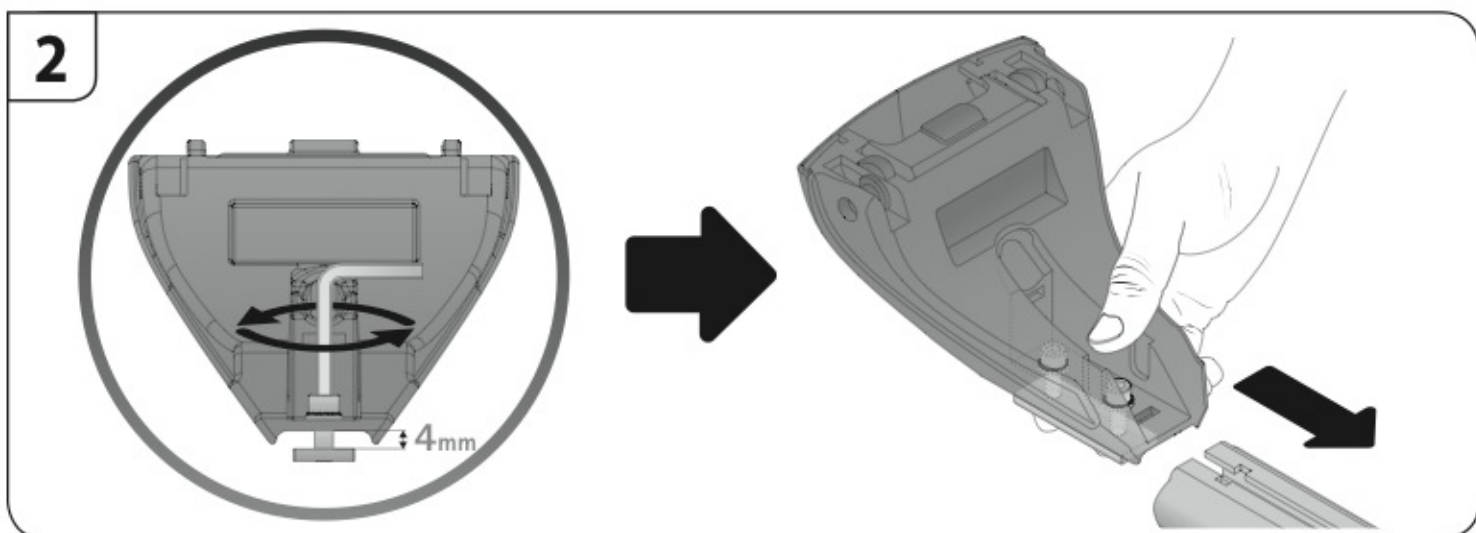
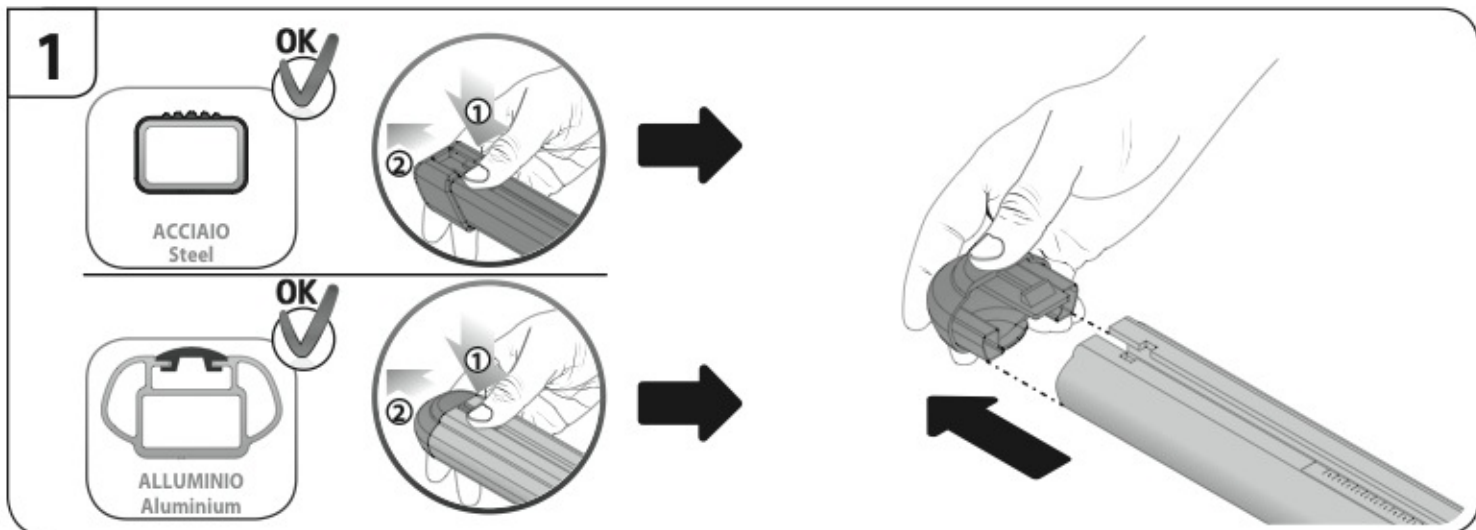
AUDI  
A4



11/15 →

Art. **N21183**

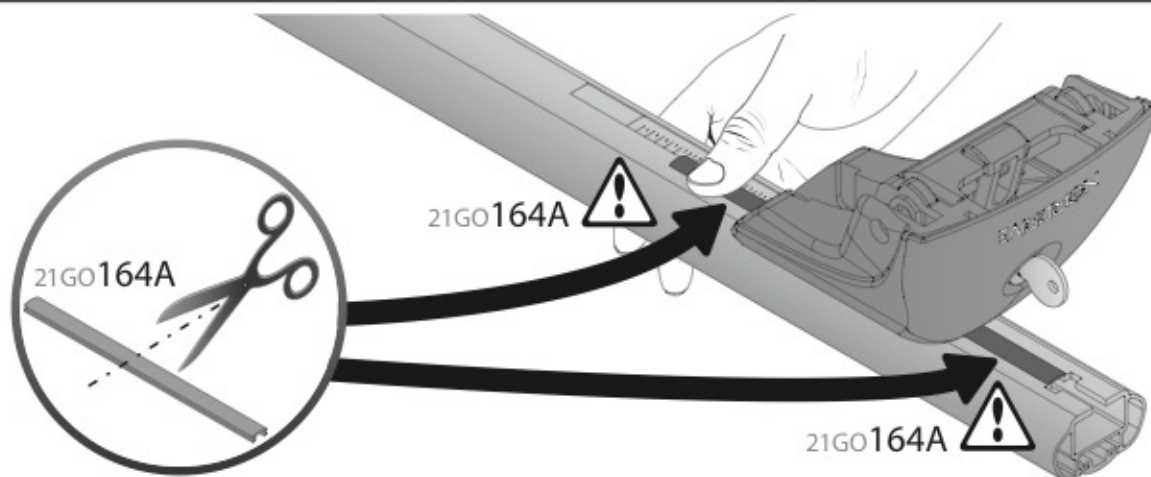




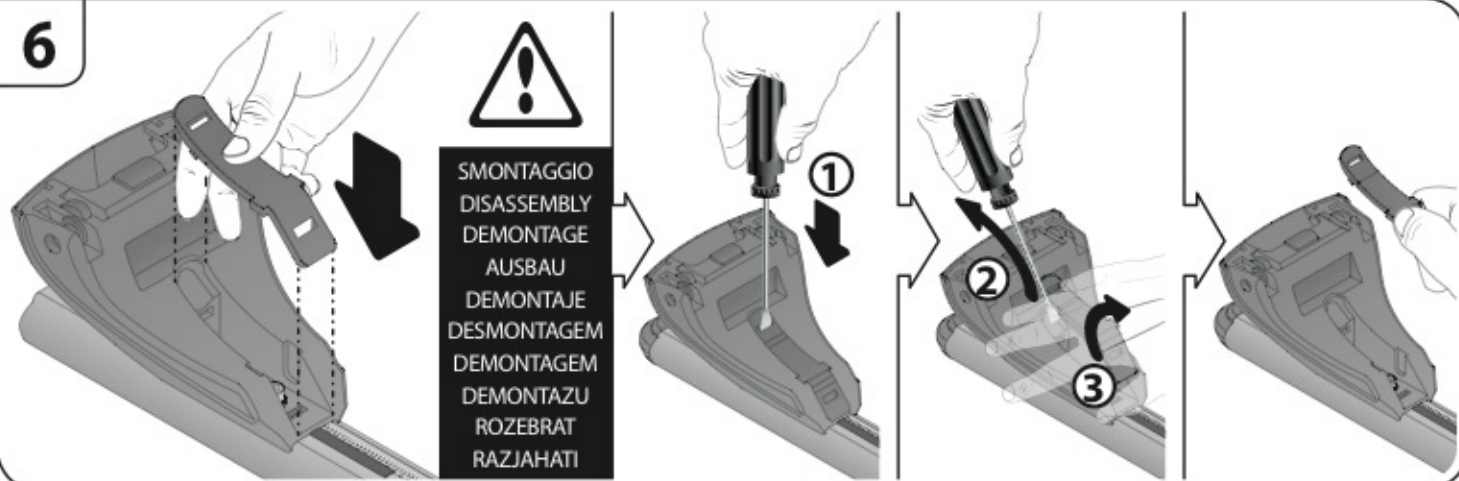
4



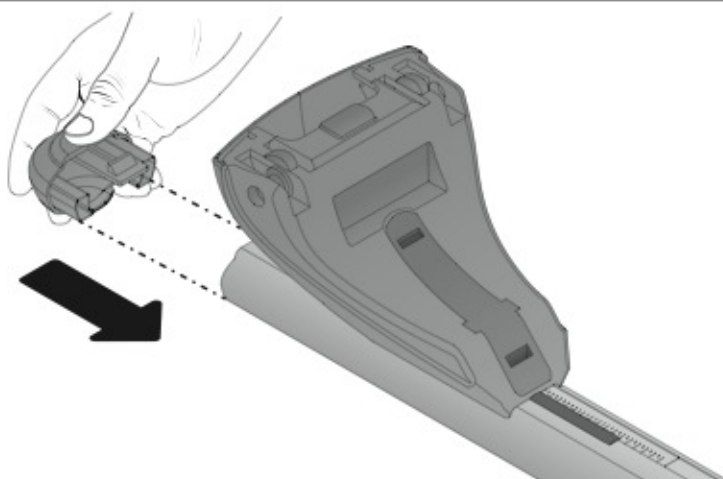
5

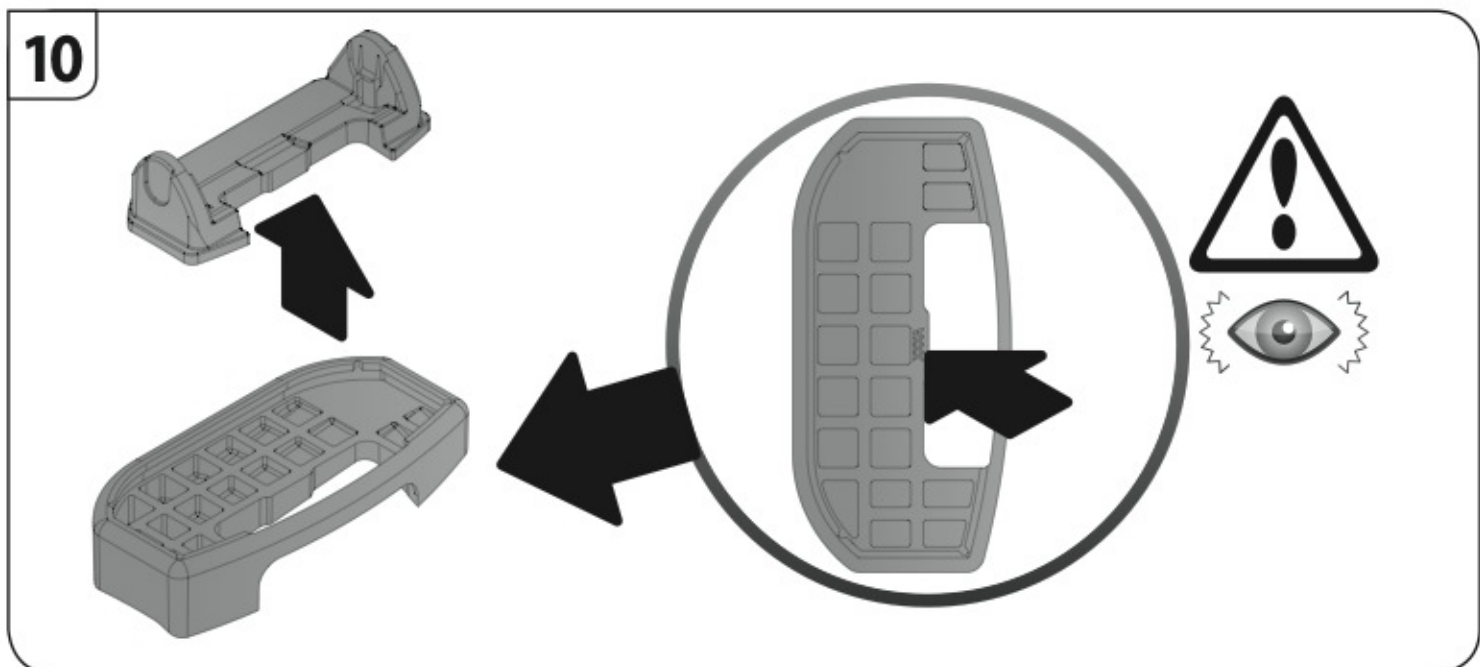
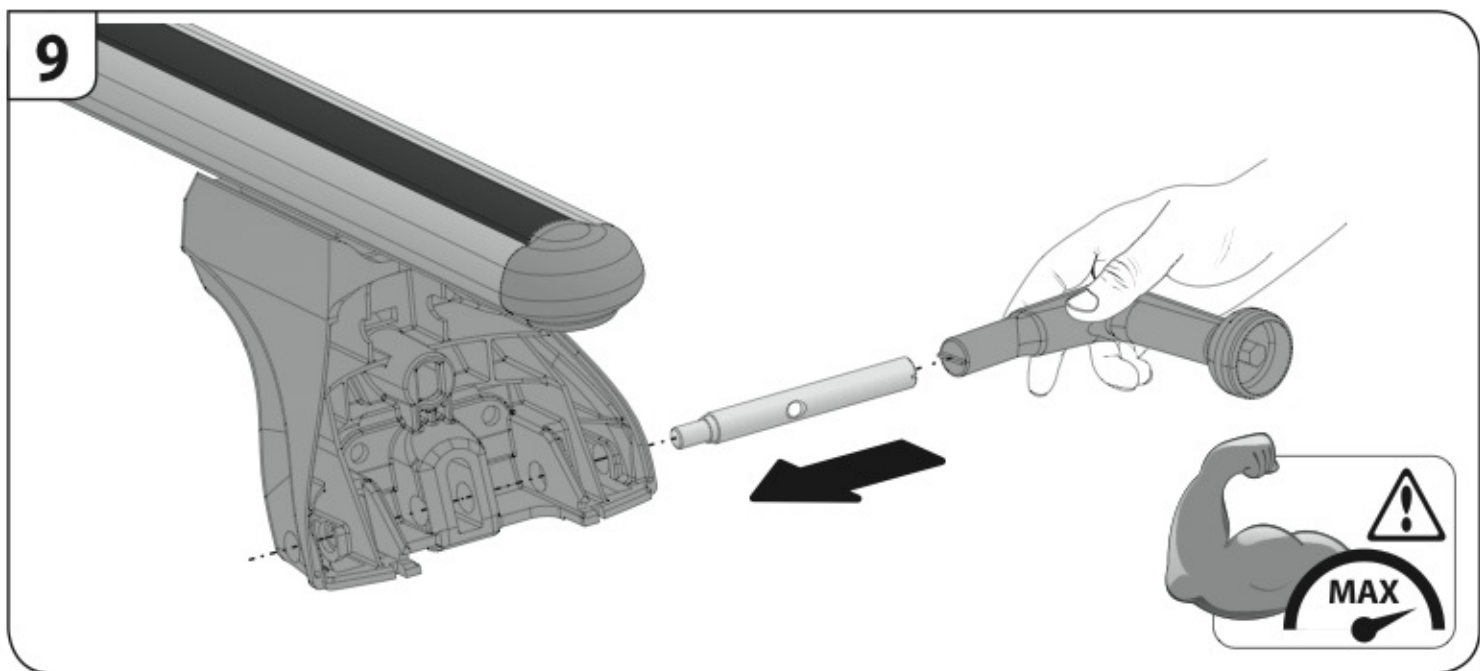
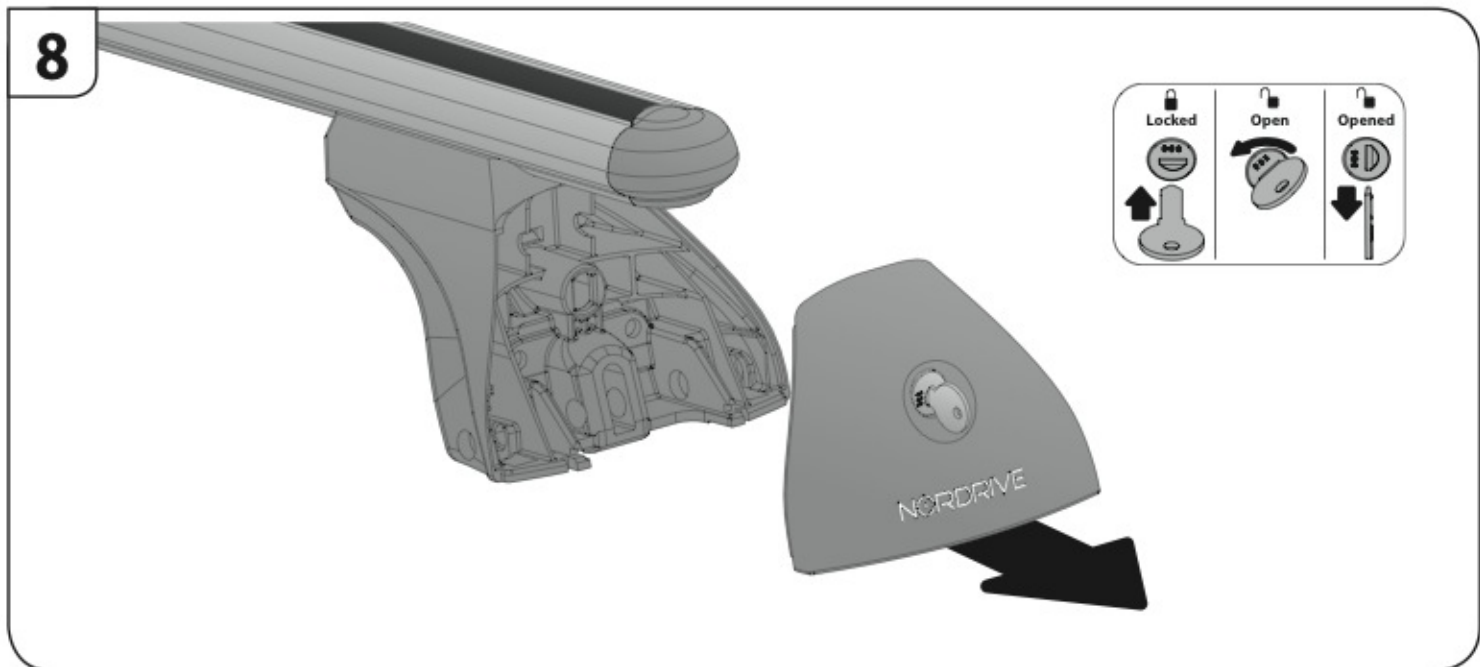


6

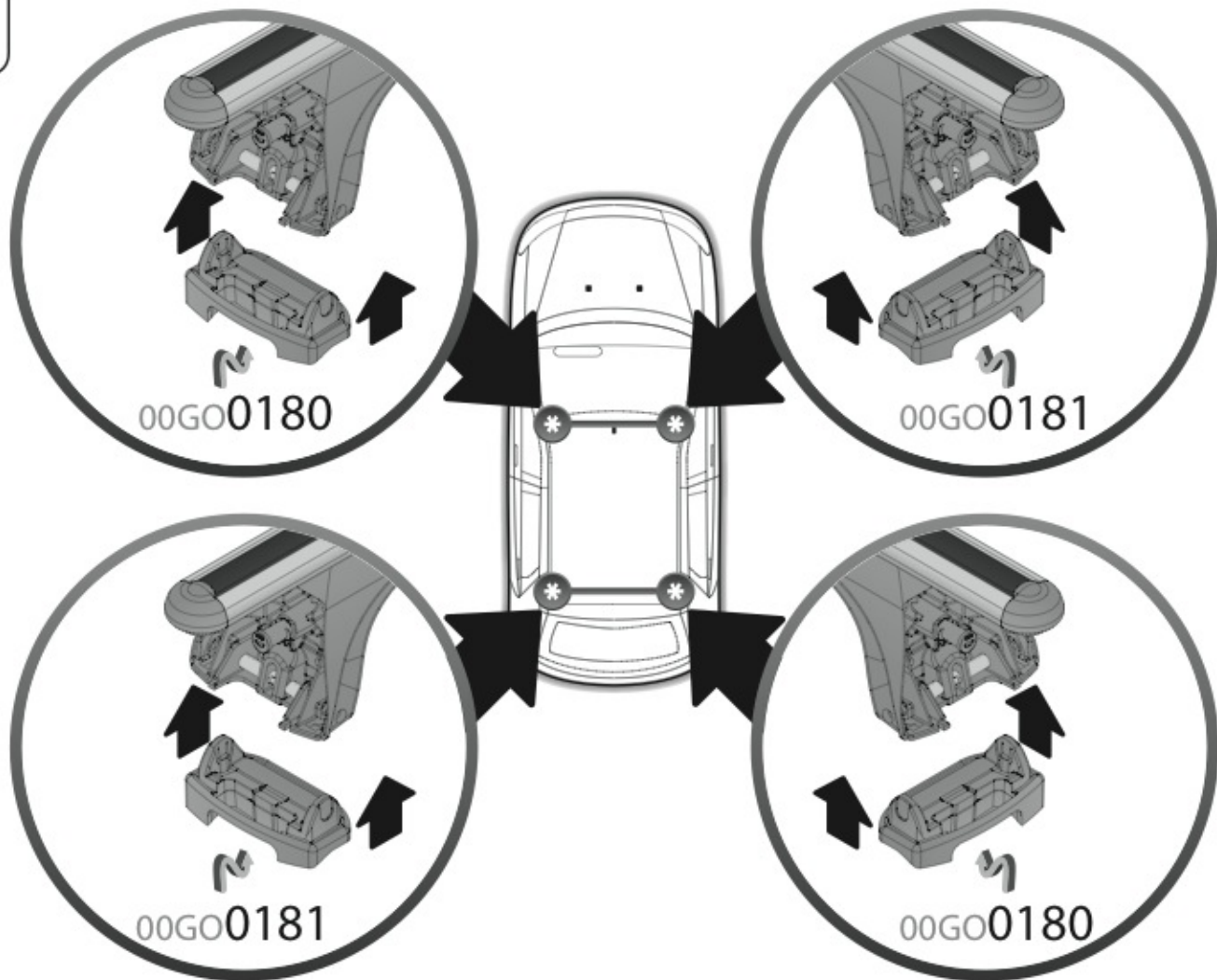


7

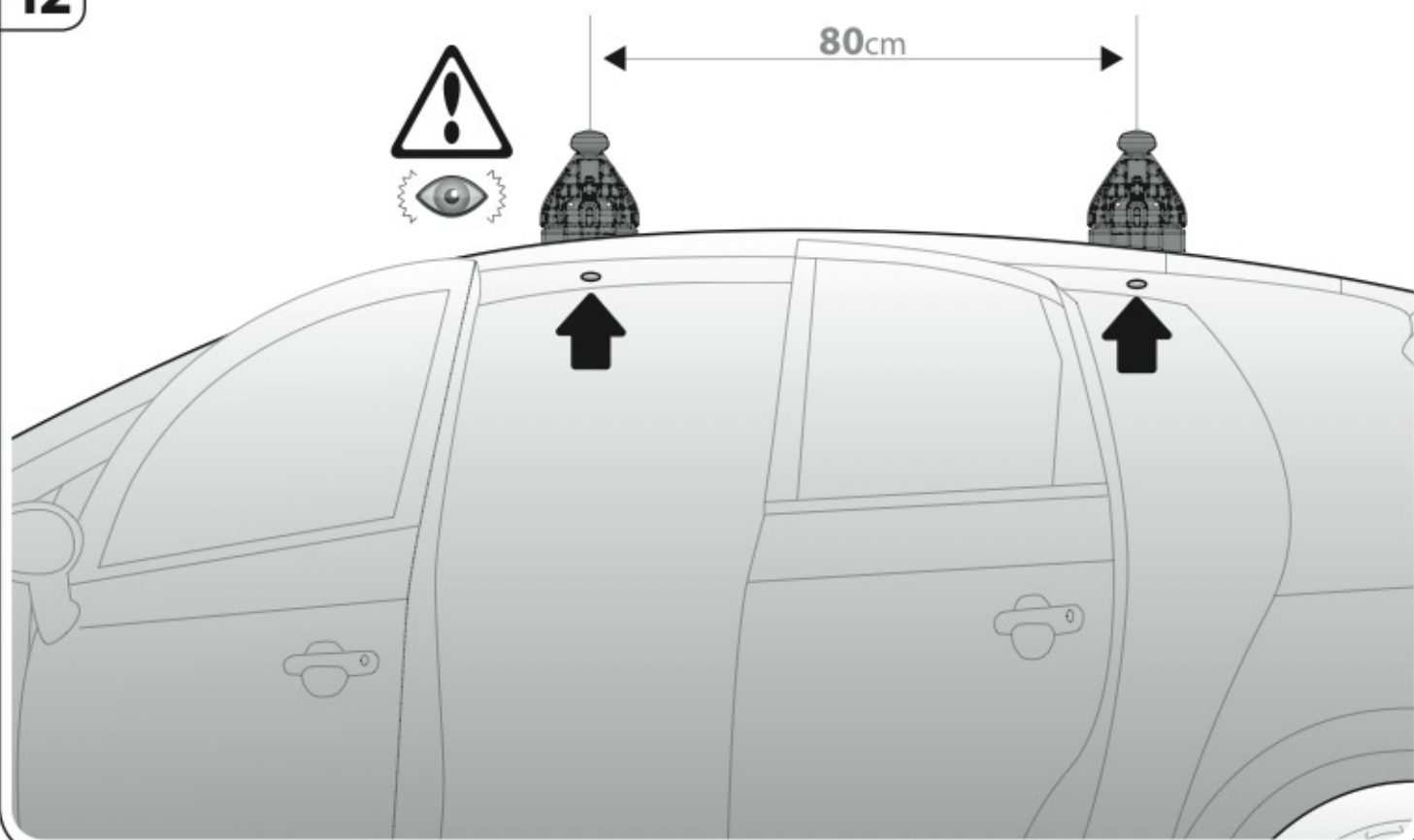




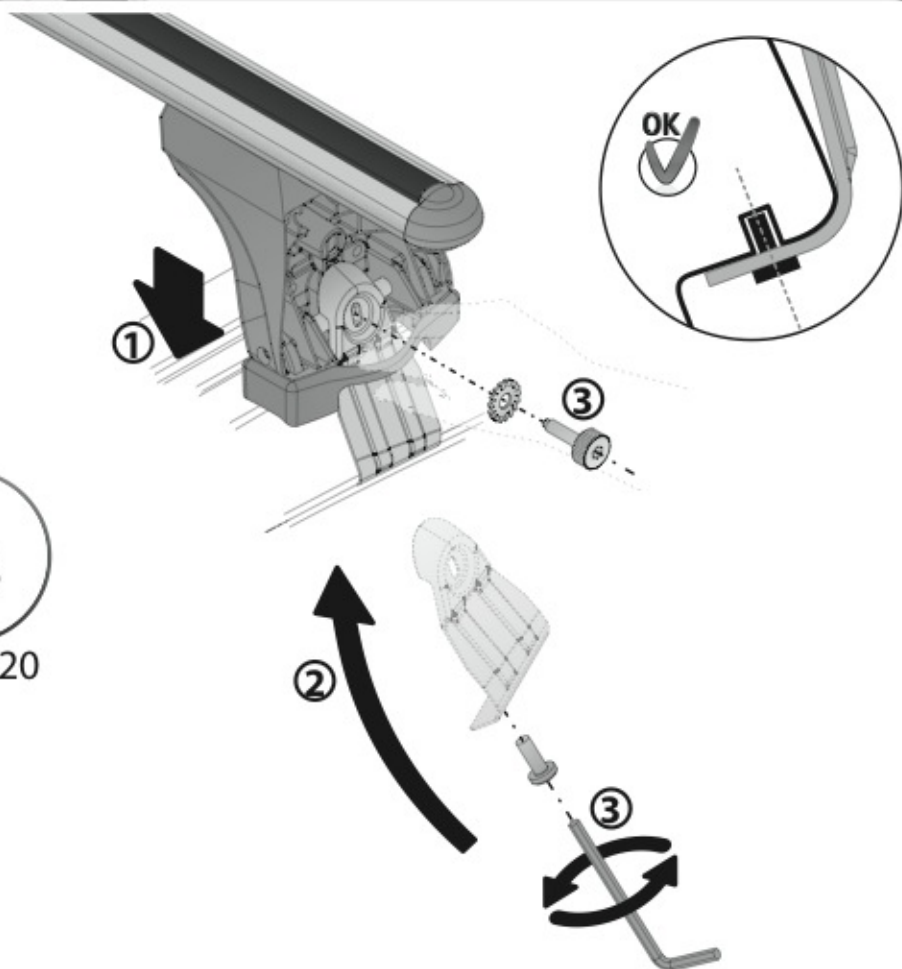
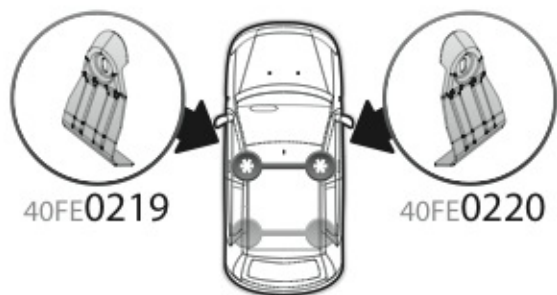
11



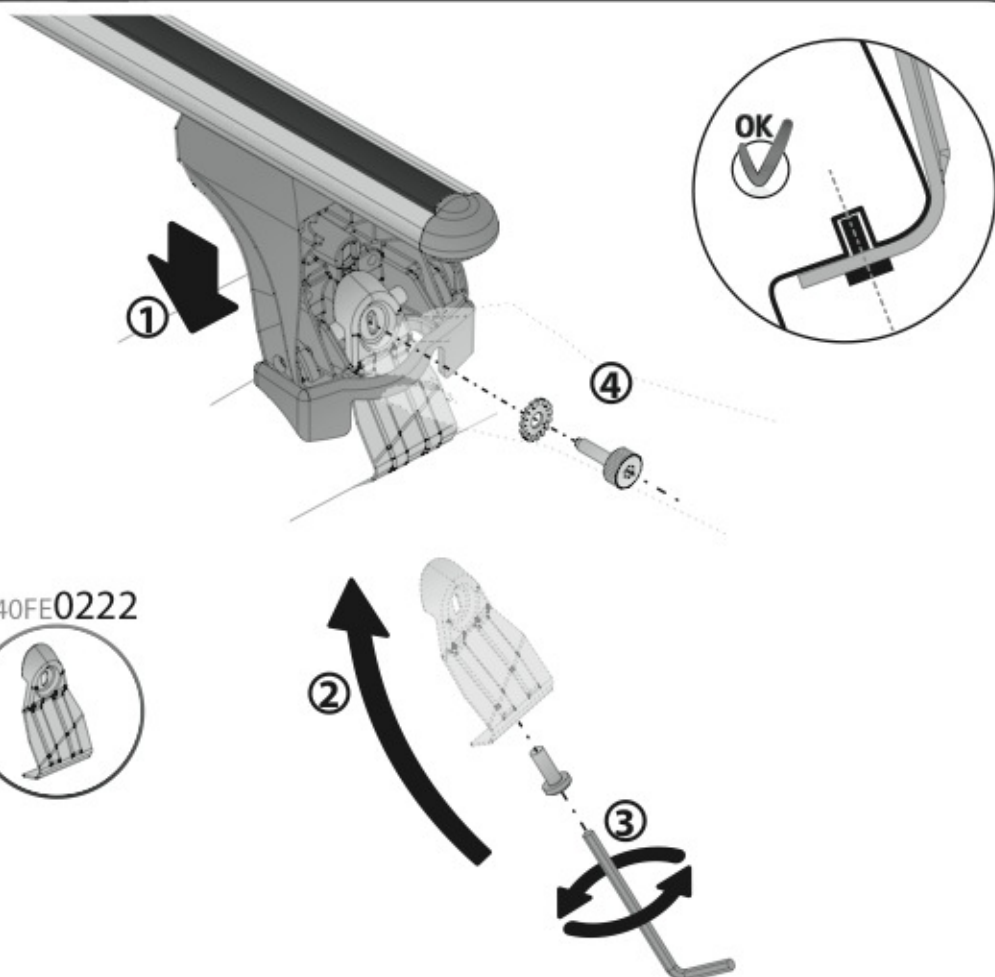
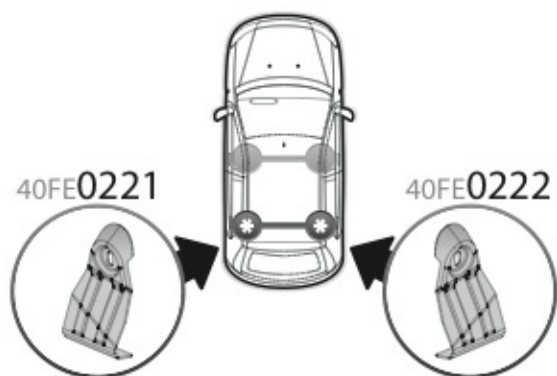
12



13

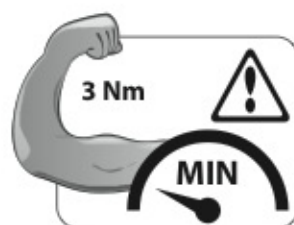
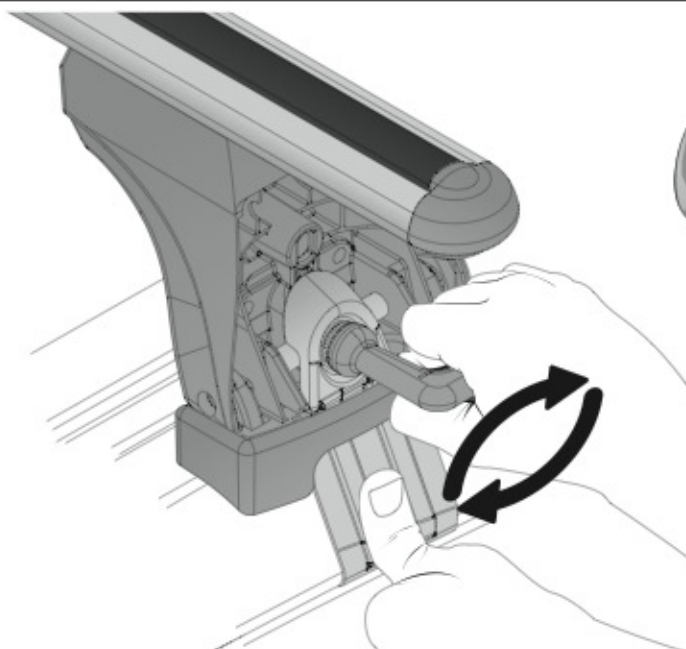
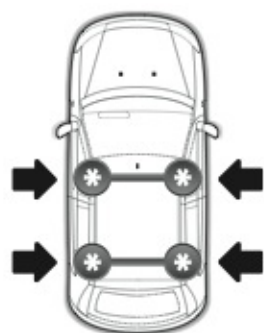


14

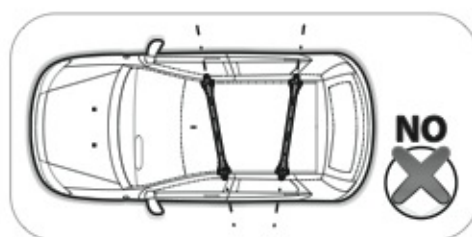
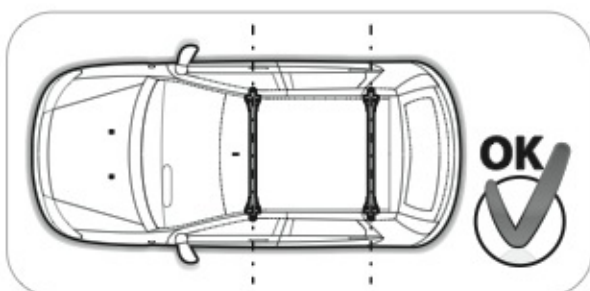
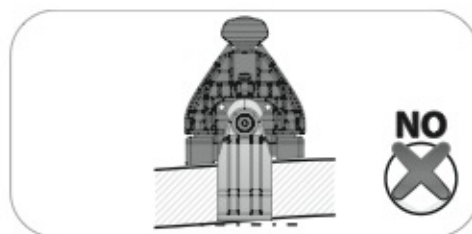
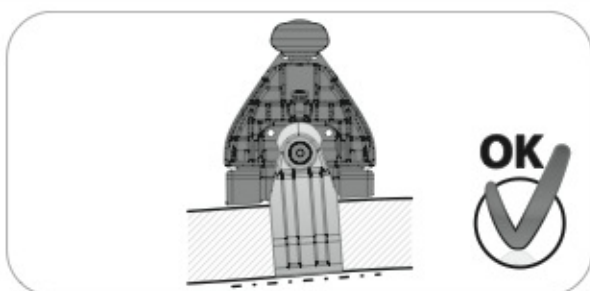




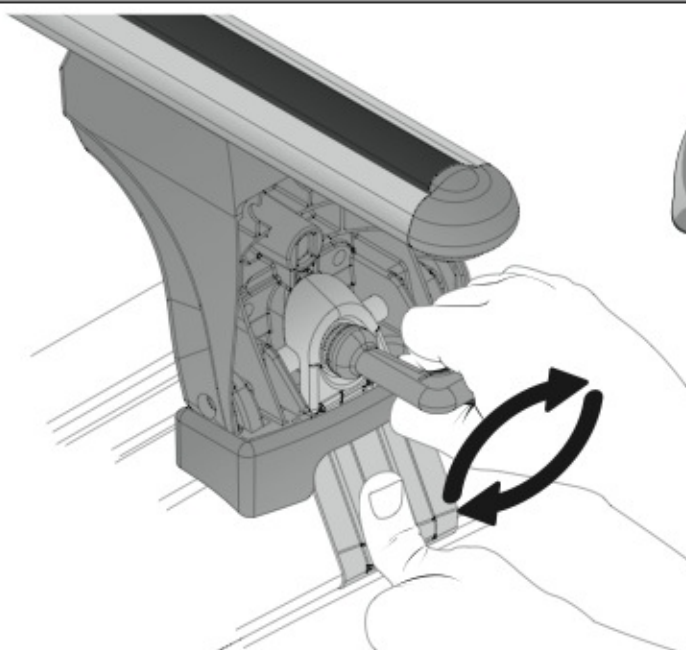
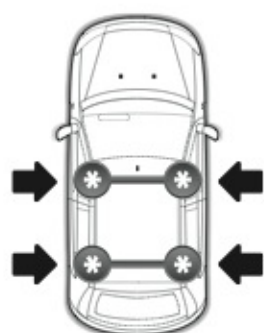
15



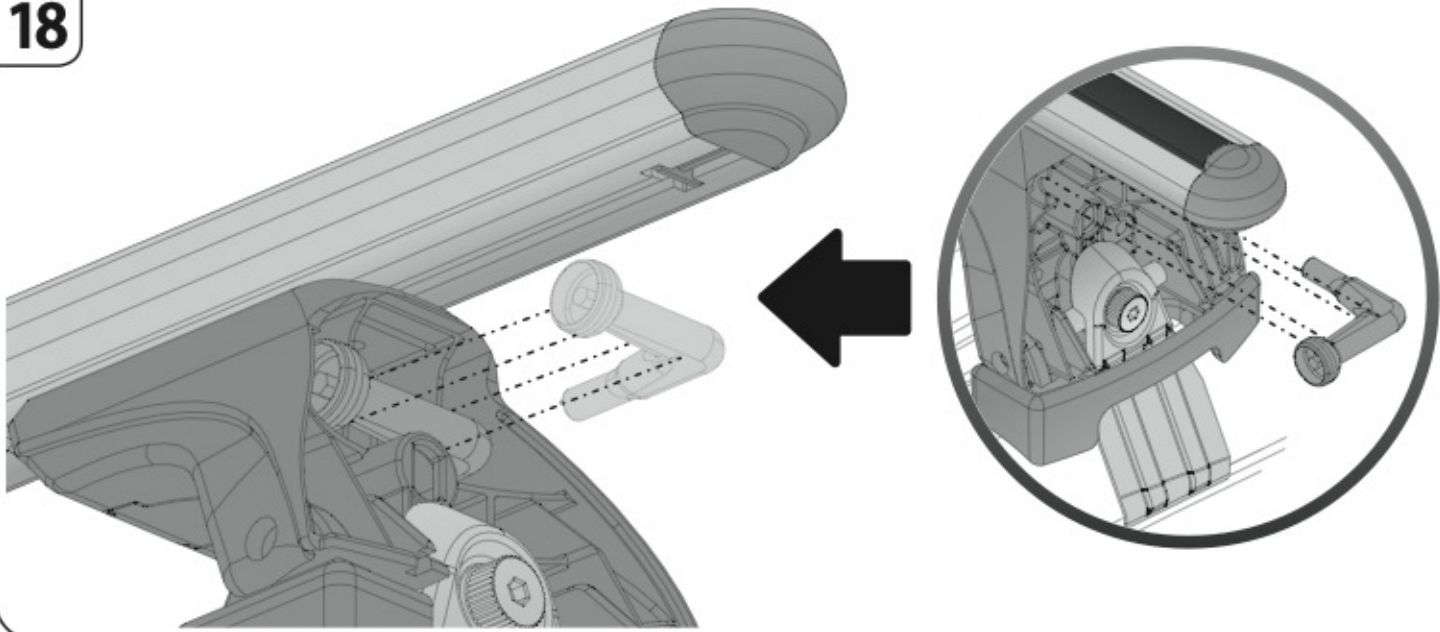
16



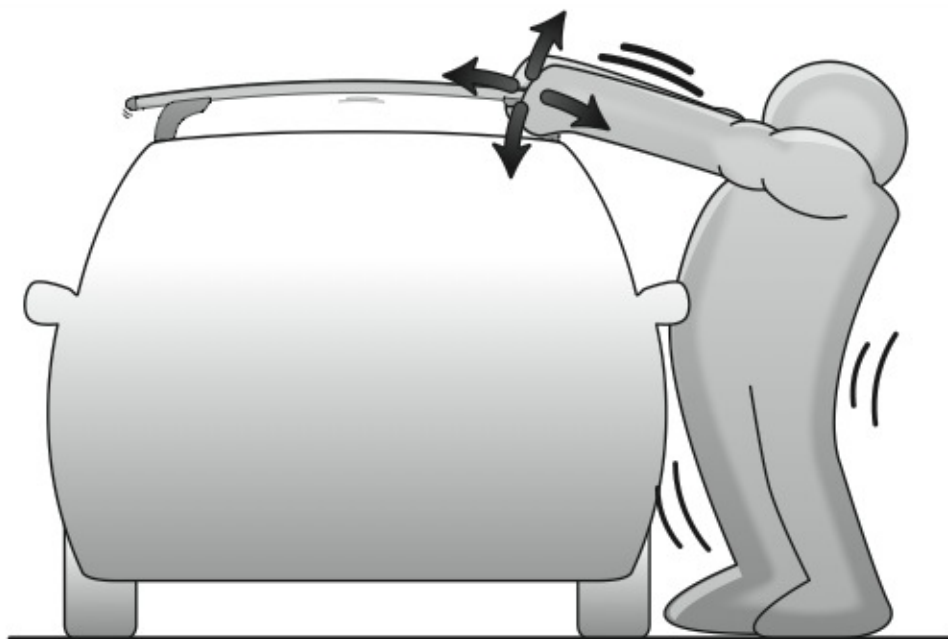
17



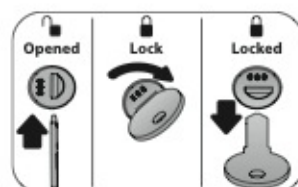
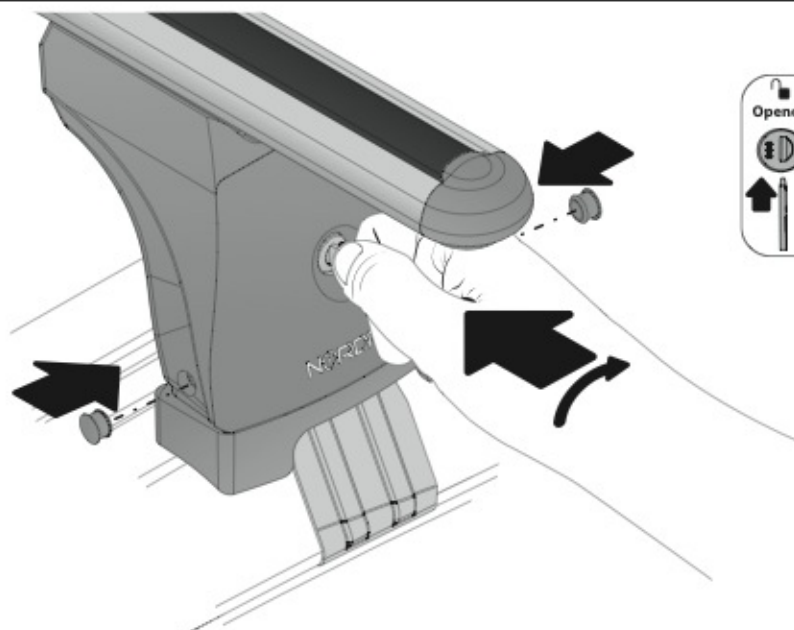
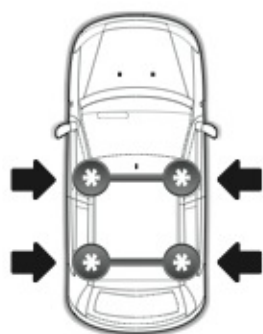
18



19



20





# EVOS

**NORDRIVE**<sup>®</sup>  
TRANSPORT SOLUTIONS

is a registered trade mark of

**LAMPA S.p.A.**

Via G. Rossa 53/55, 46019 Viadana (MN) ITALY

Tel. +39 0375 820700

UNI EN ISO 9001:2008 Certified Company

**[www.nordrive.it](http://www.nordrive.it)**

**[www.lampa.it](http://www.lampa.it)**