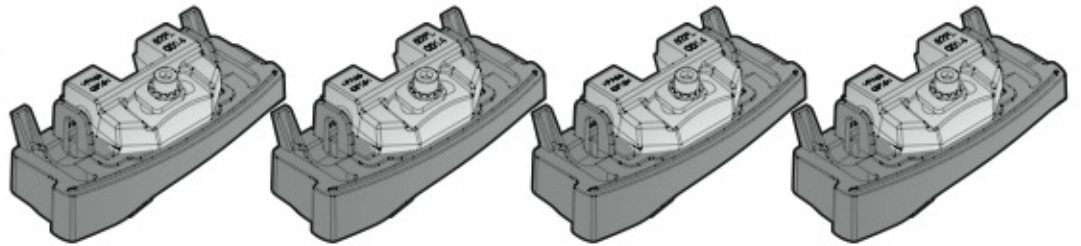




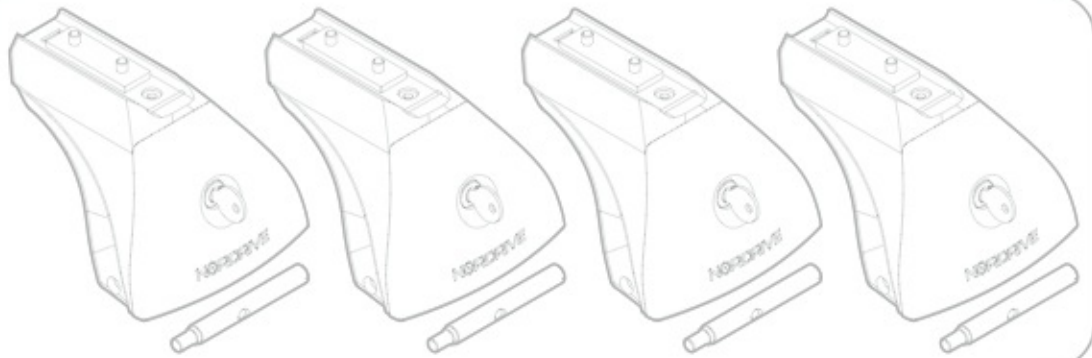
Art.  
**N21179**



**C**



Art. **N20001**



**B**

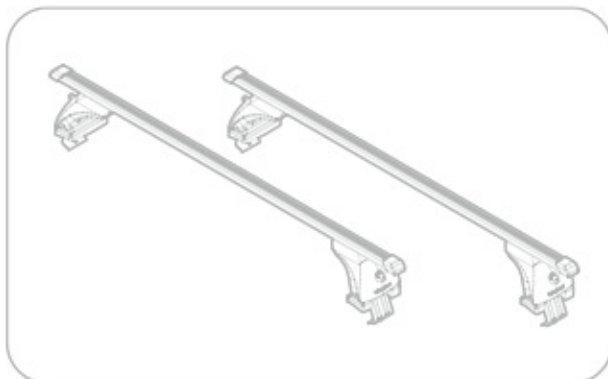


Art. **N15020 M**



**A**

**ACCIAIO**  
 Steel



Art. **N15025 M**



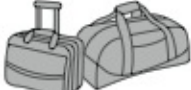


**A**

**ALLUMINIO**  
 Aluminium



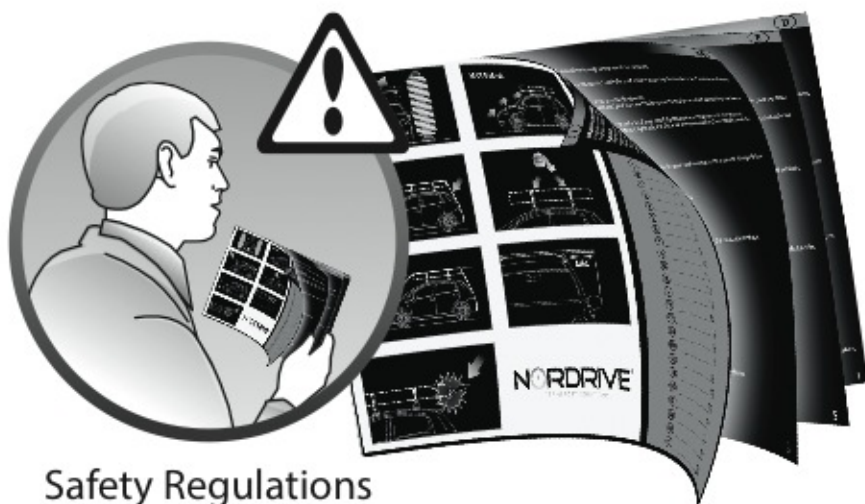
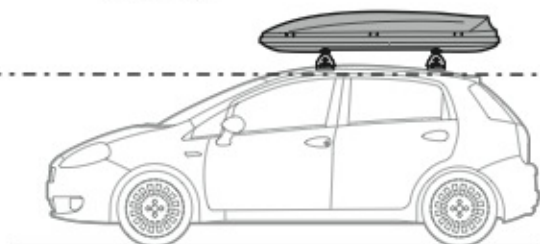


 +  +  = max: **75kg**

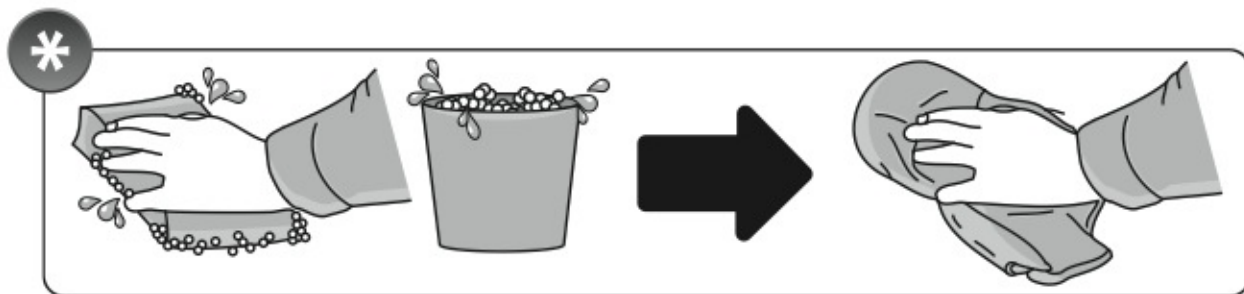
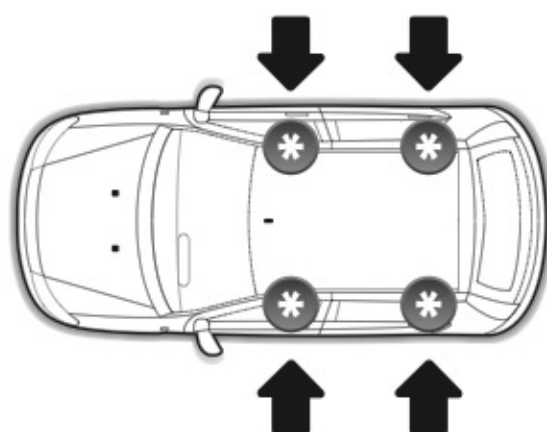
5,5kg



max: **???**kg



Safety Regulations



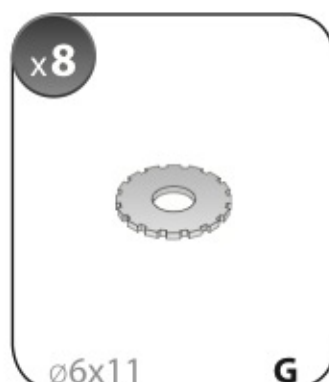
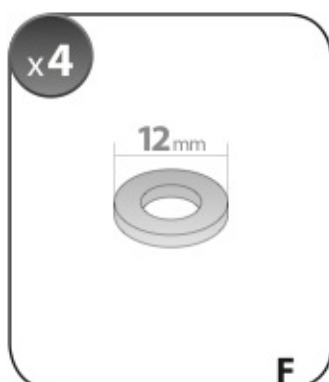
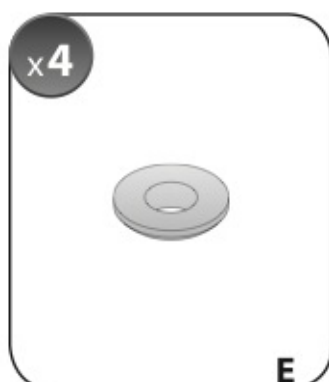
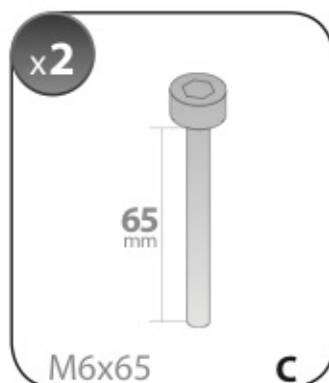
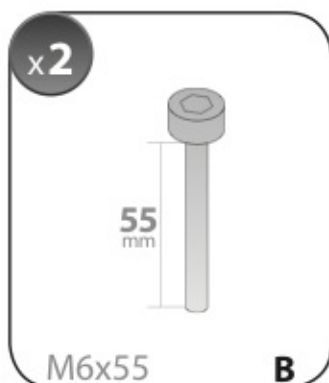
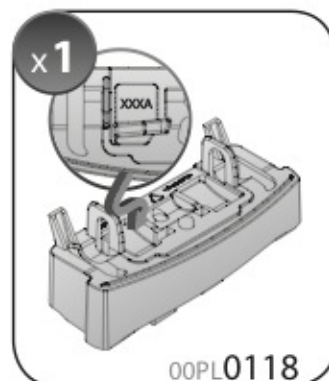
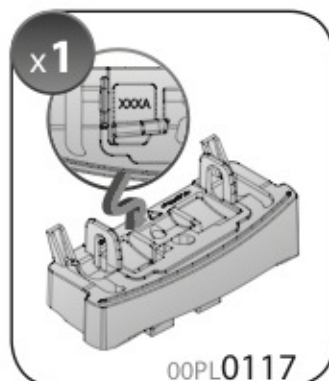
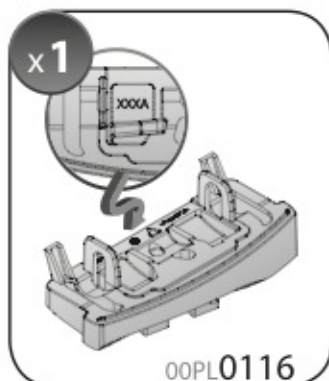
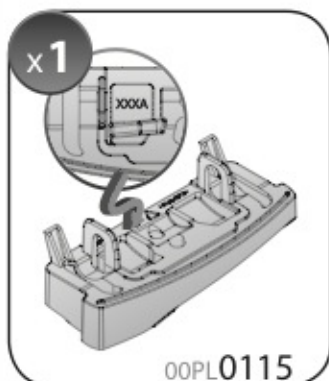
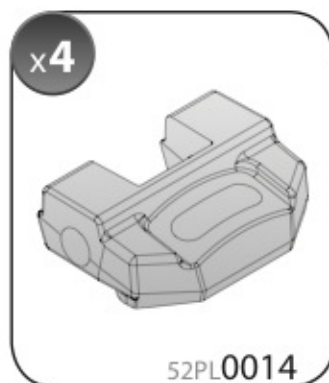
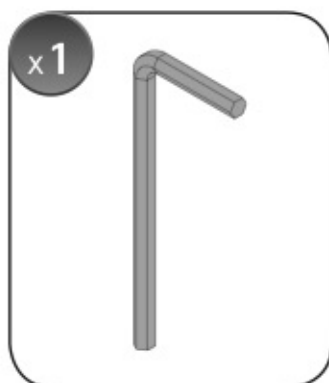


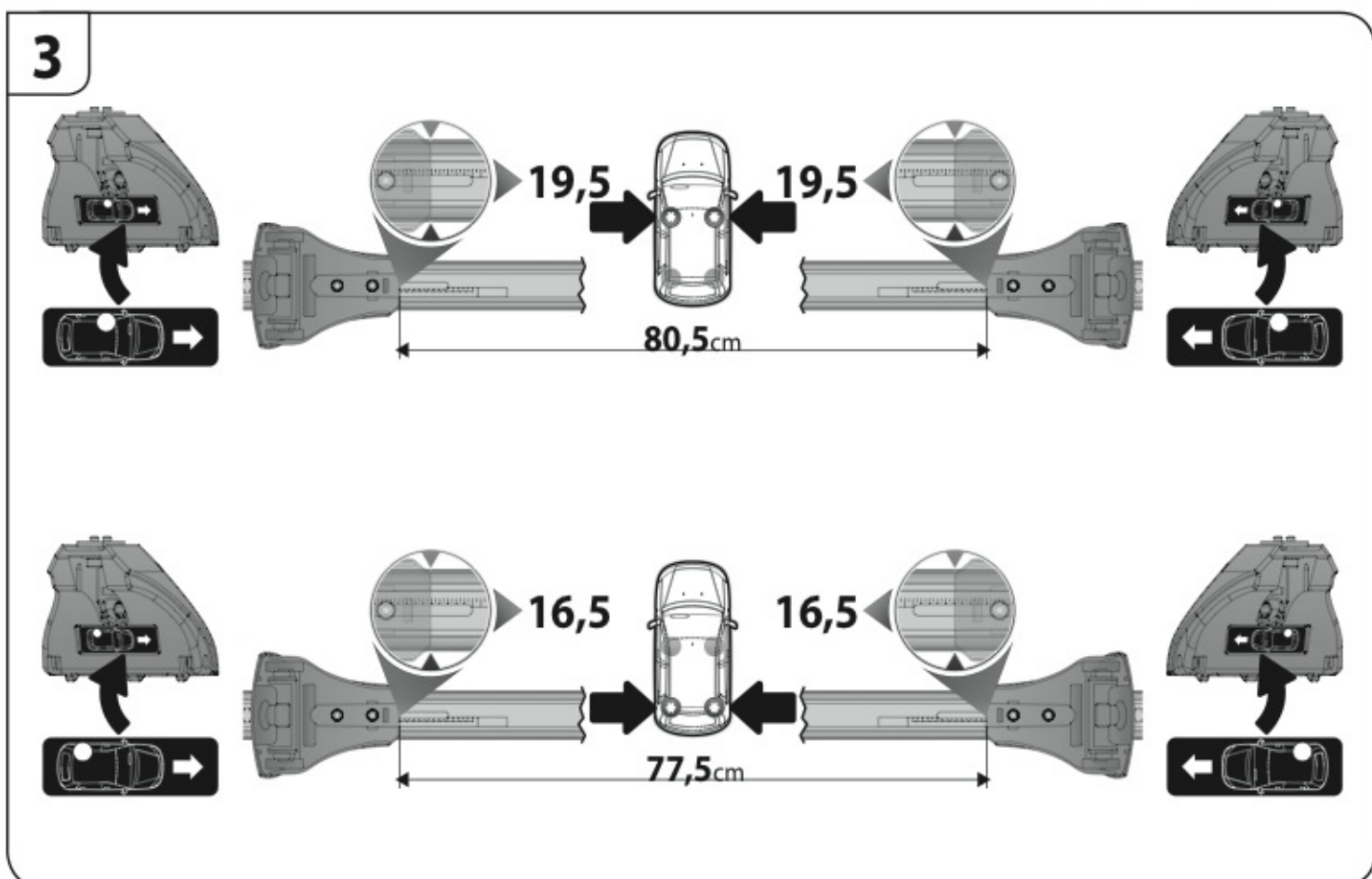
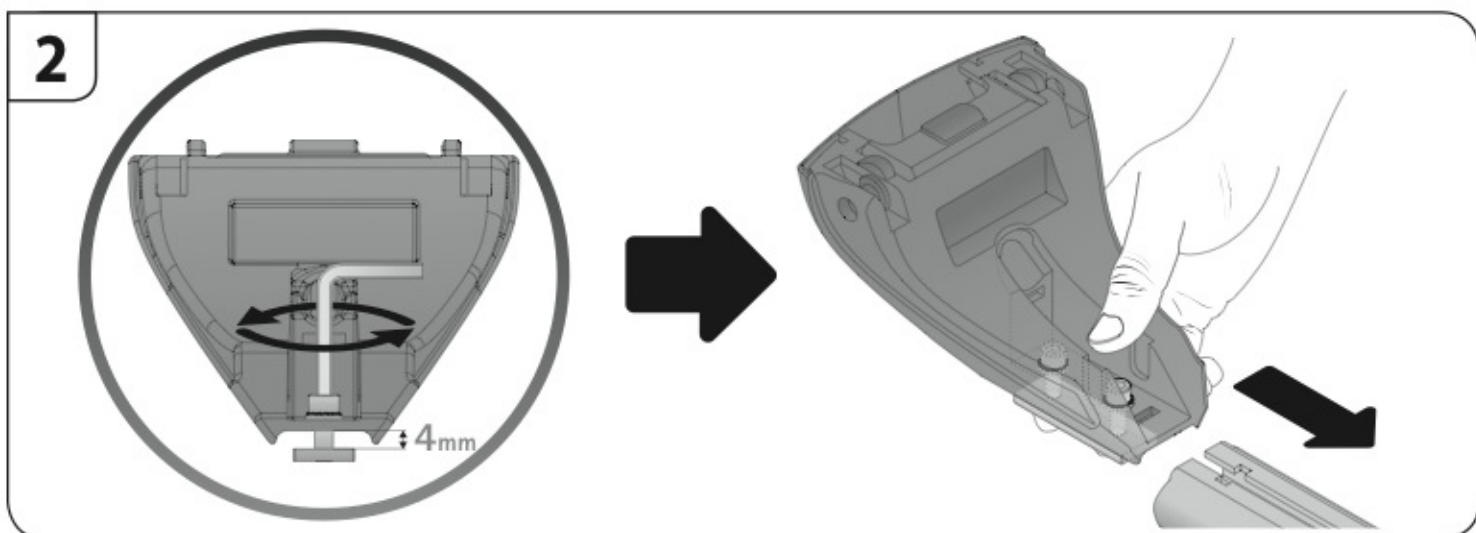
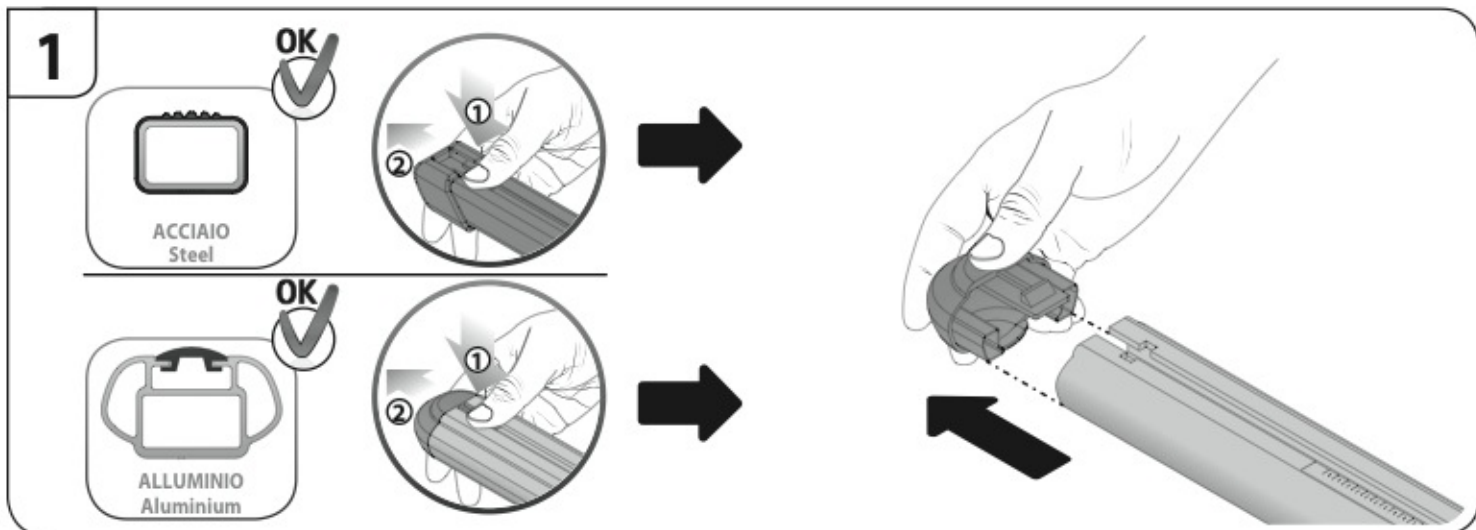
HYUNDAI  
i30



03/12 →

Art. **N21179**





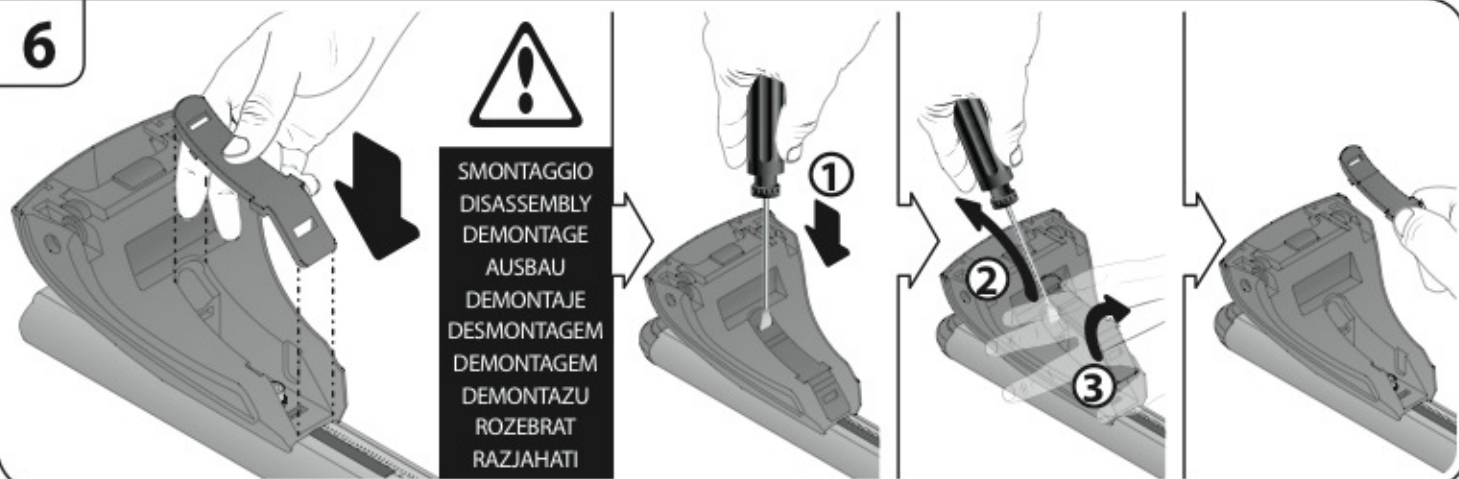
4



5



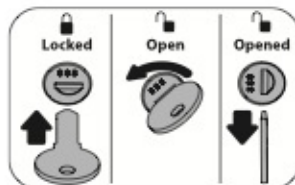
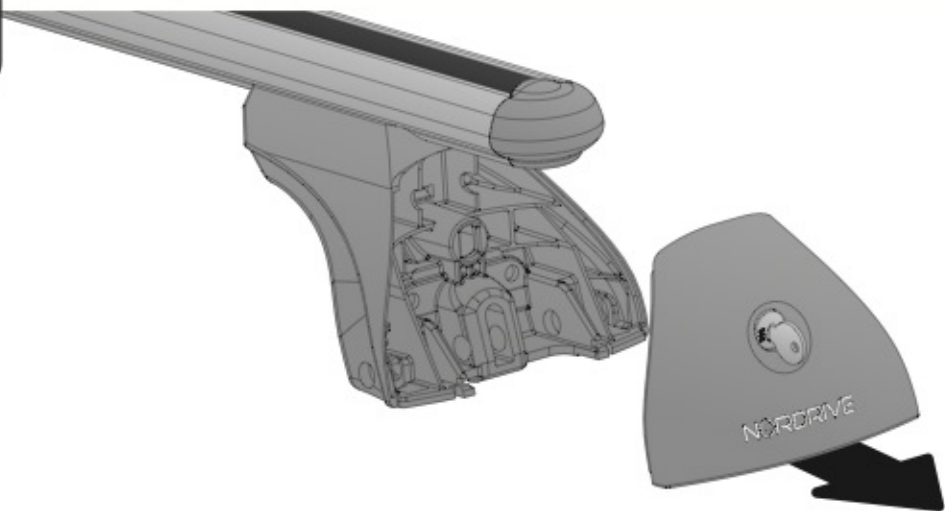
6



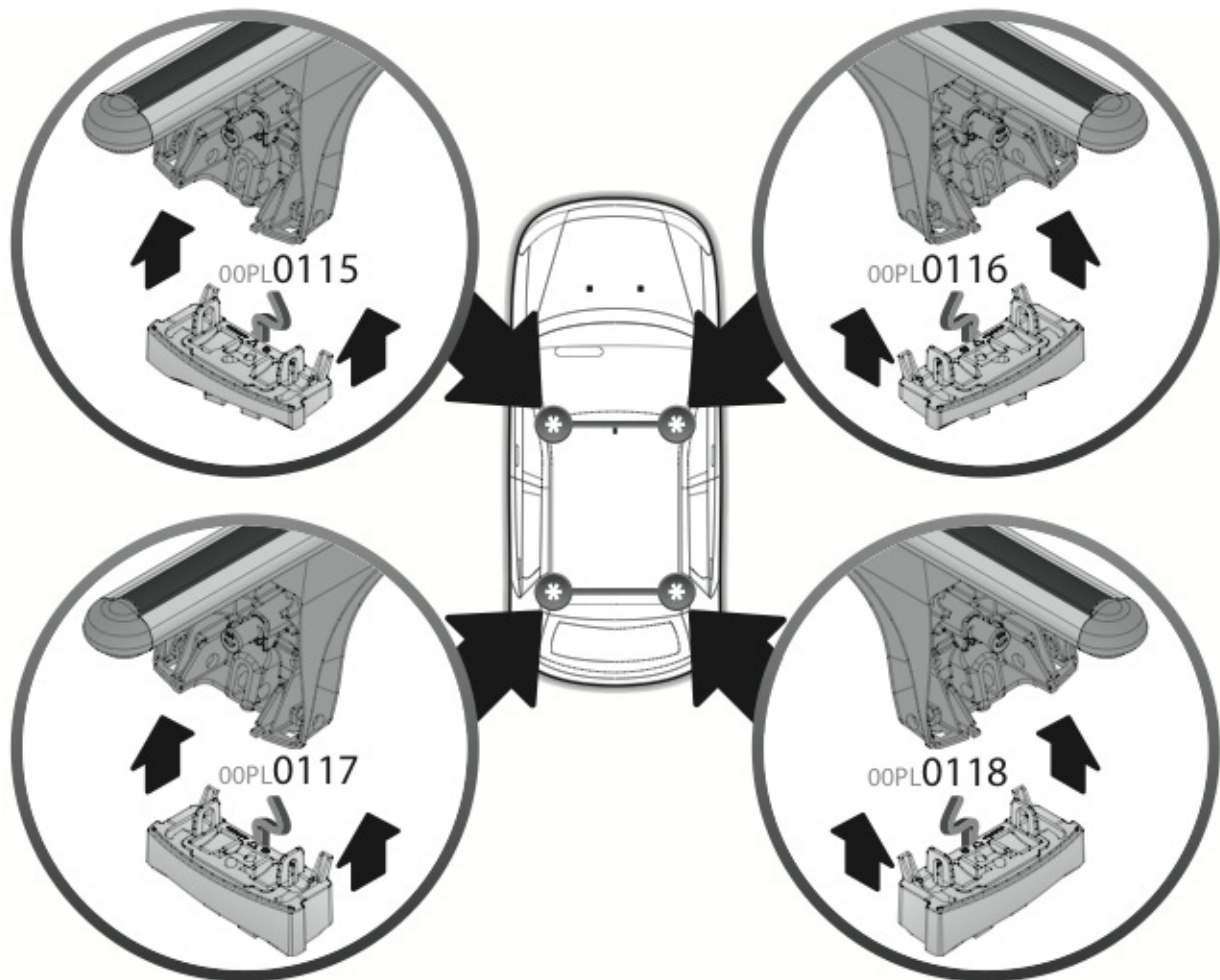
7



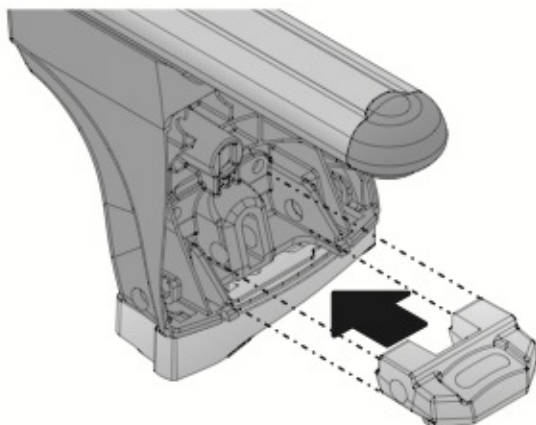
8



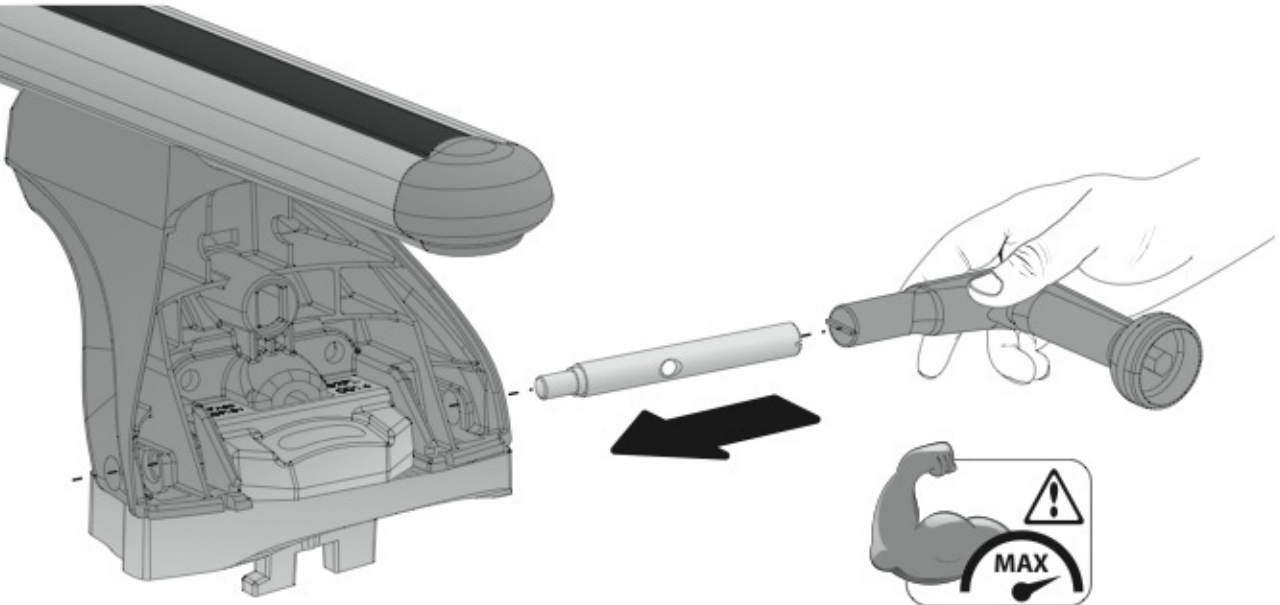
9



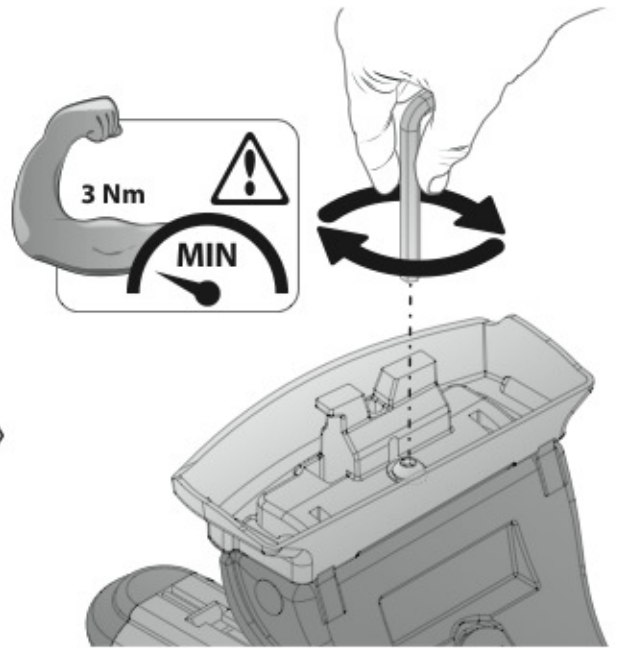
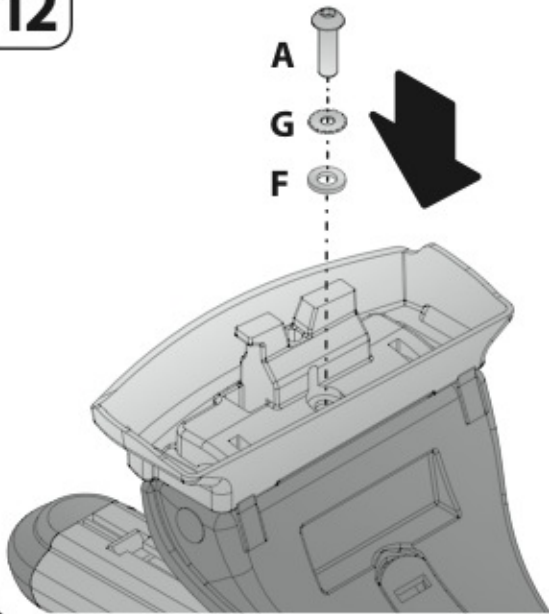
10



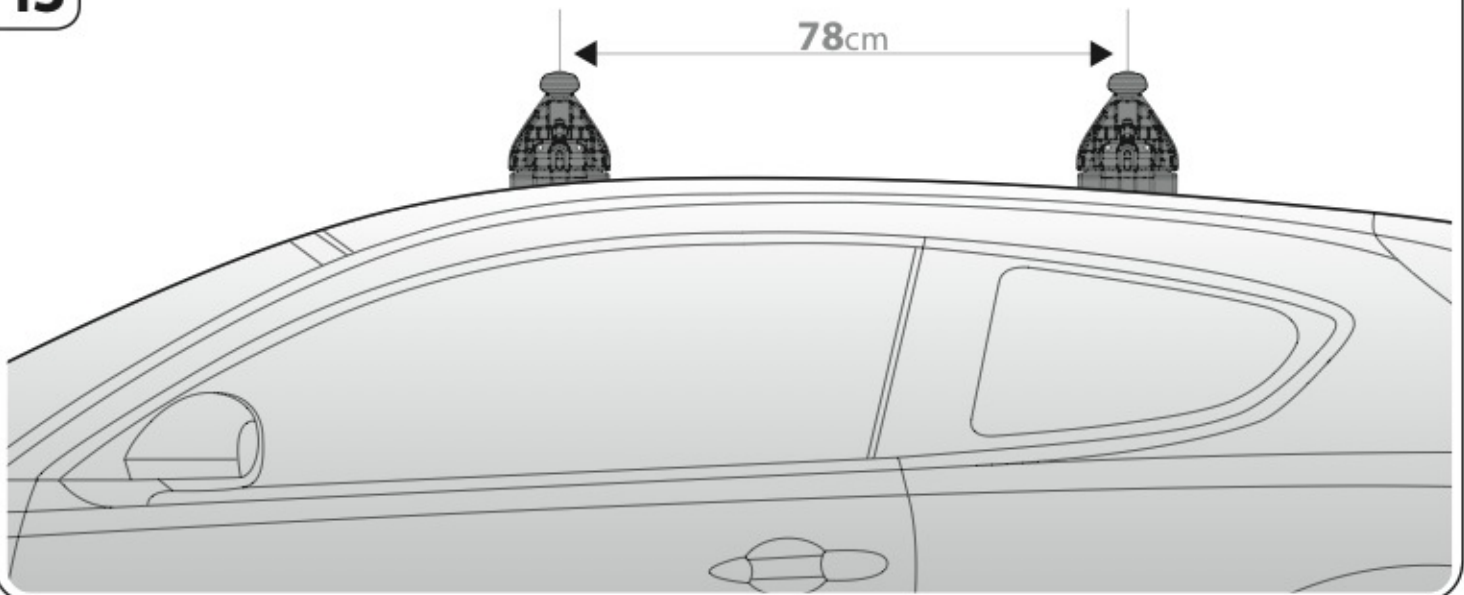
11



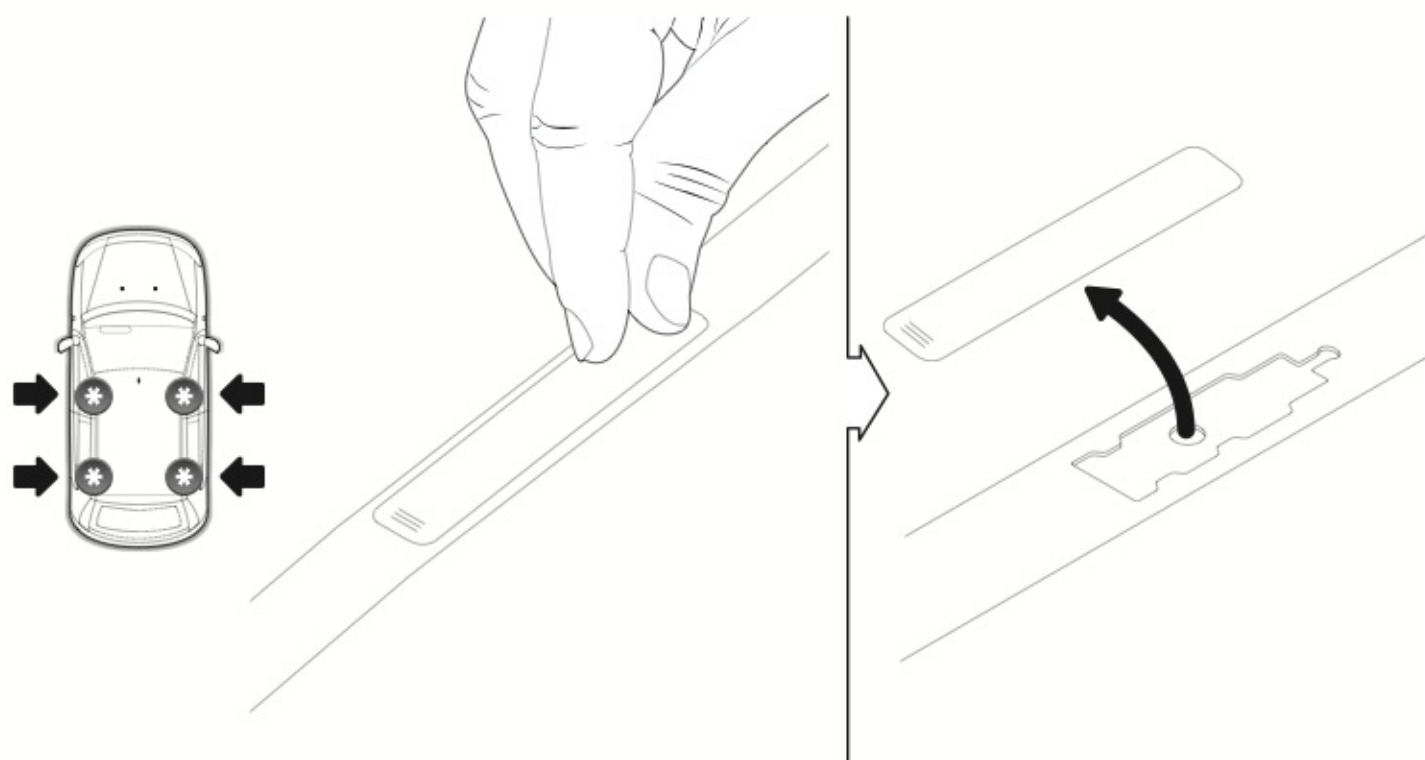
12



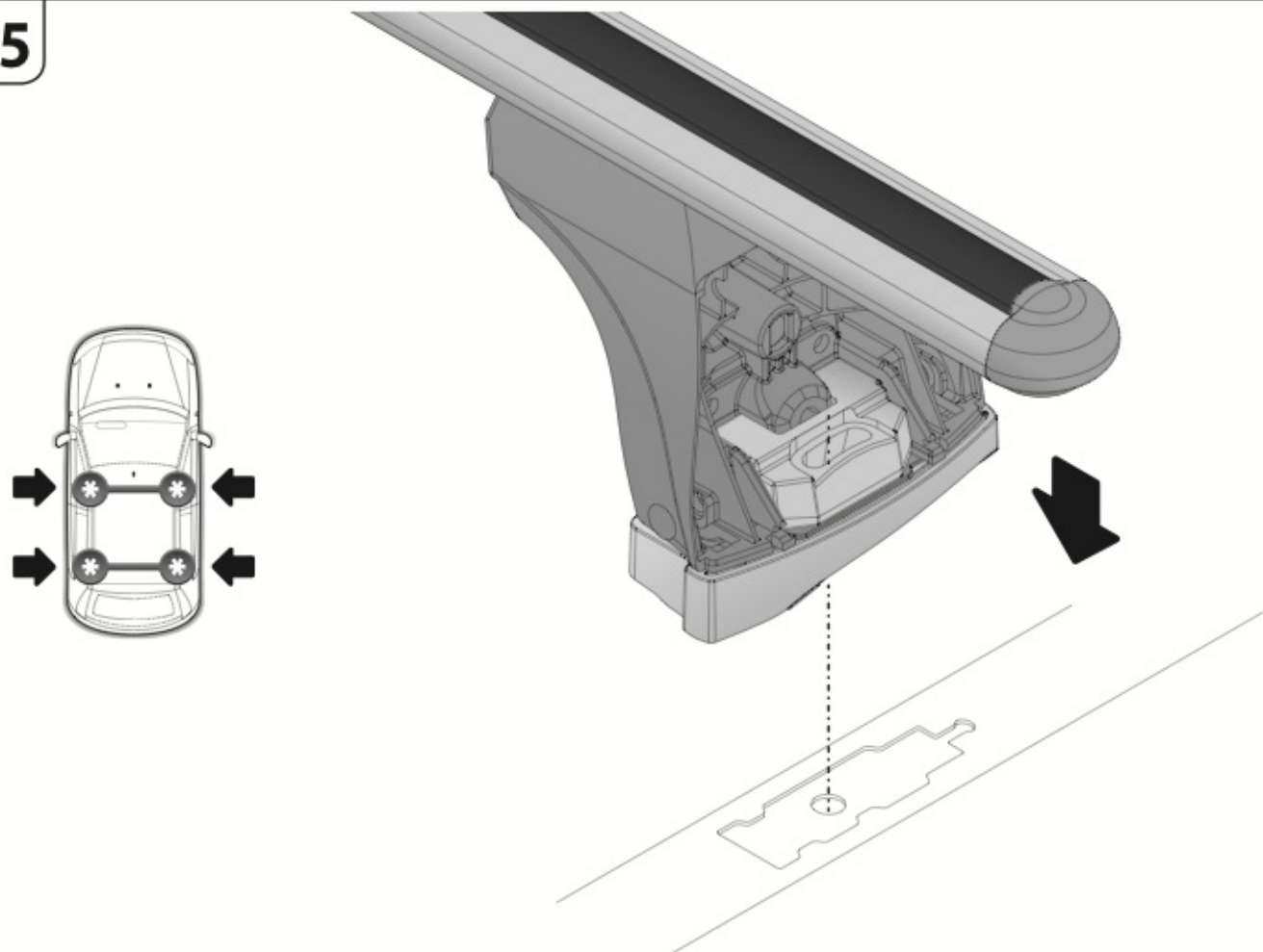
13



14

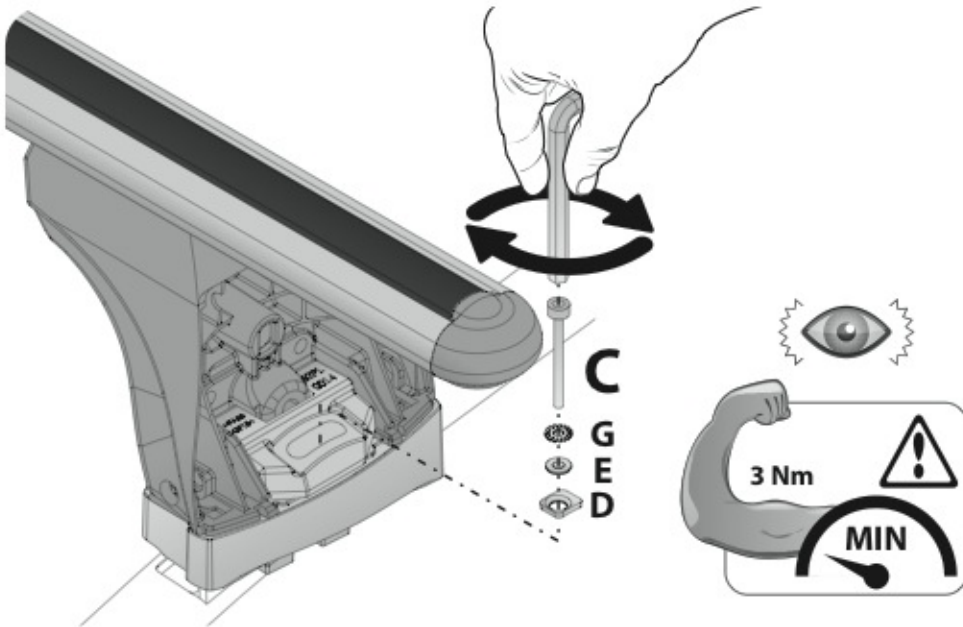
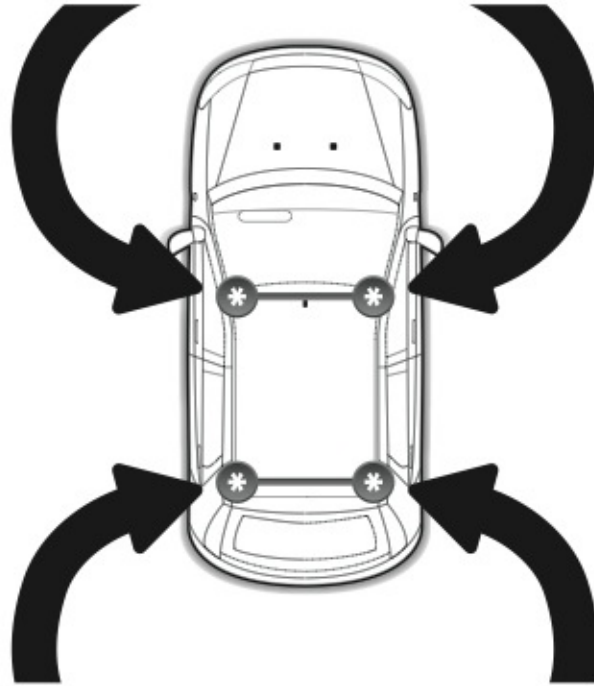
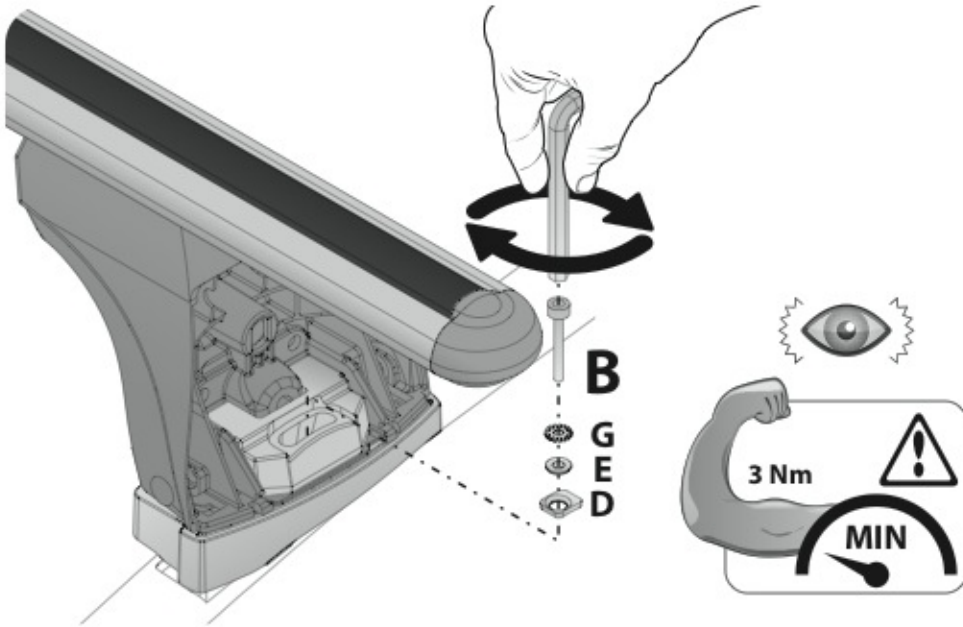


15

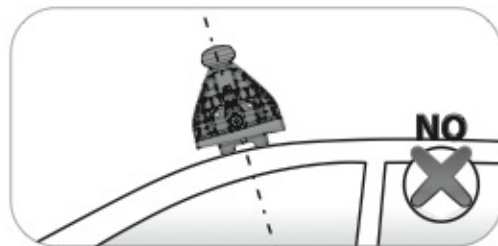
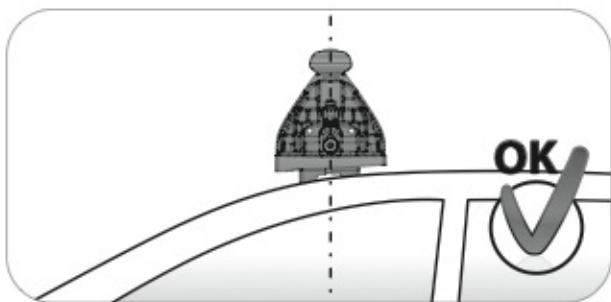




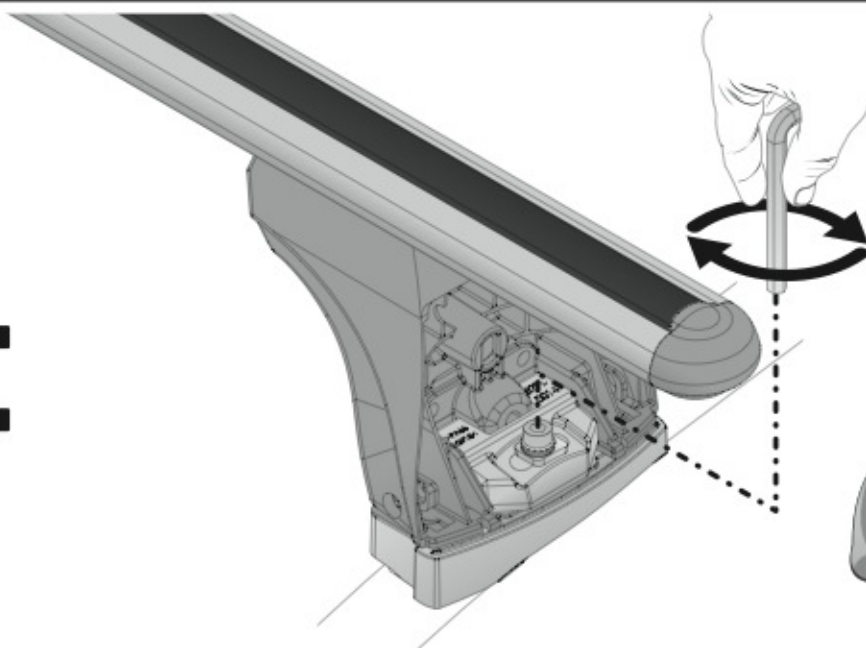
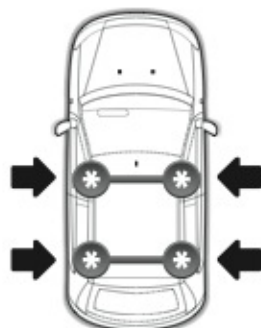
16



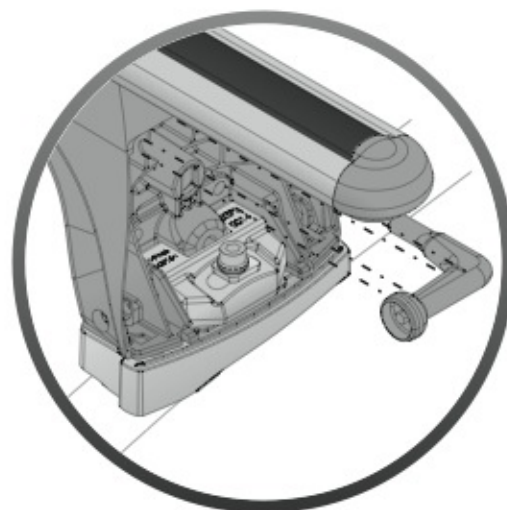
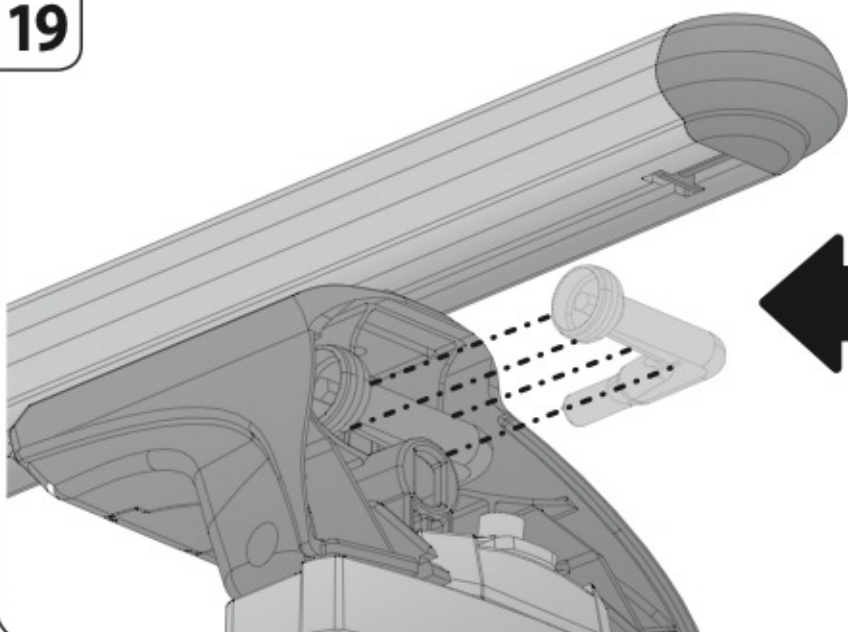
17



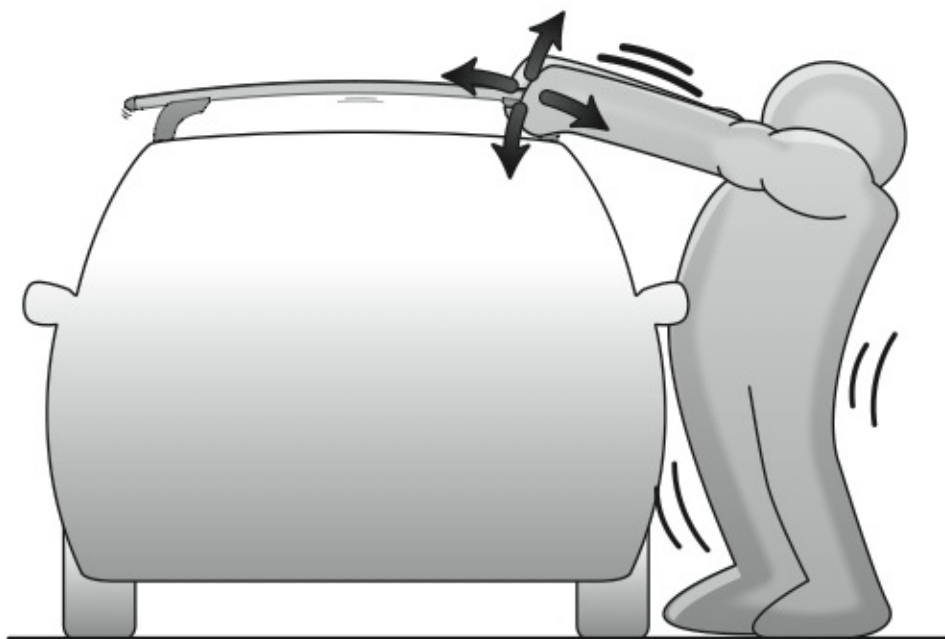
18



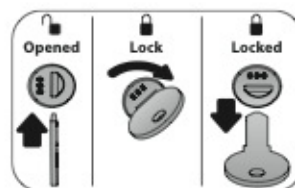
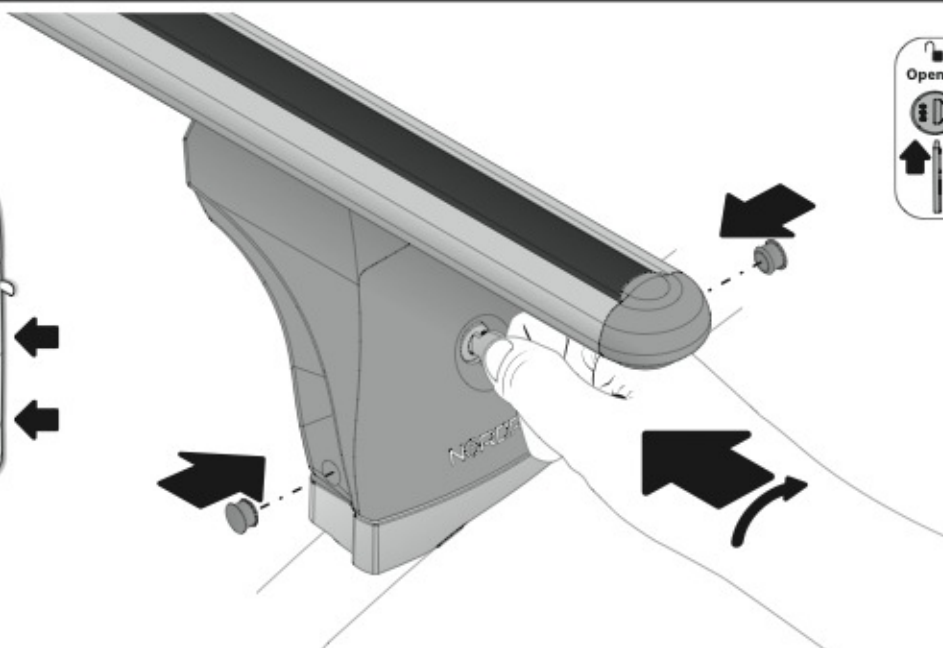
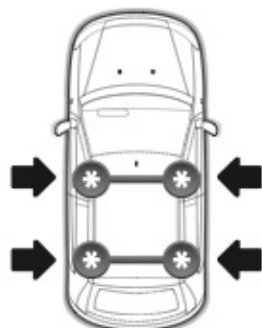
19



20



21



# EVOS

**NORDRIVE**<sup>®</sup>  
TRANSPORT SOLUTIONS

is a registered trade mark of

**LAMPA S.p.A.**

Via G. Rossa 53/55, 46019 Viadana (MN) ITALY

Tel. +39 0375 820700

UNI EN ISO 9001:2008 Certified Company

**[www.nordrive.it](http://www.nordrive.it)**

**[www.lampa.it](http://www.lampa.it)**