

EVOS

NORDRIVE[®]

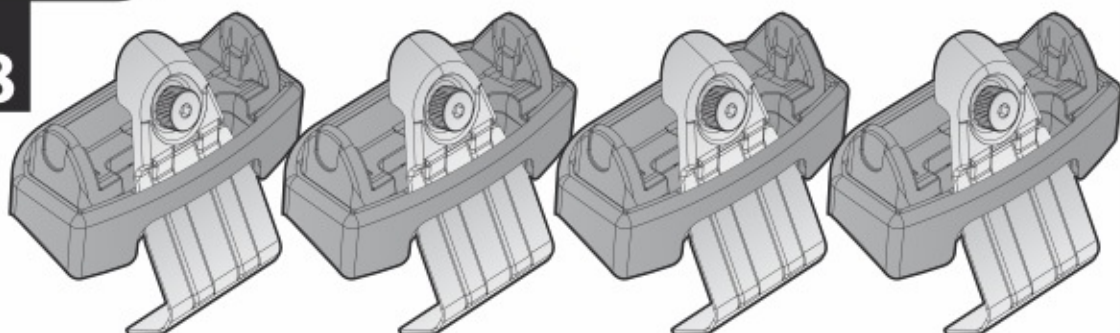
TRANSPORT SOLUTIONS

RENAULT
ESPACE

5/15 →



Art.
N21178



C

+

Art. **N20001**



B

+

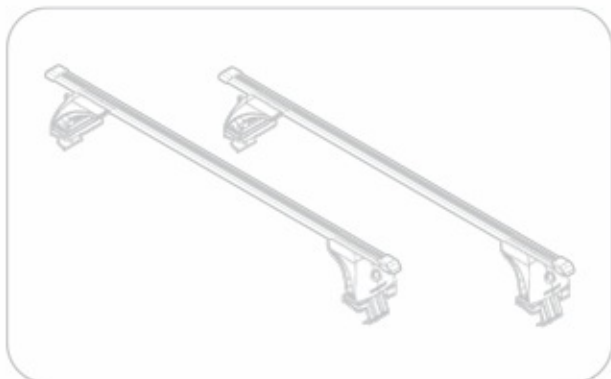
Art. **N15022 XL**



A

ACCIAIO
Steel

=



Art. **N15027 XL**






A

ALLUMINIO
Aluminium

=



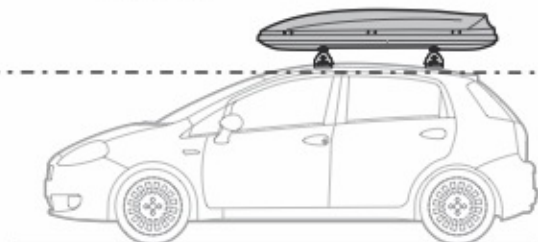


 +  +  = max: **75kg**

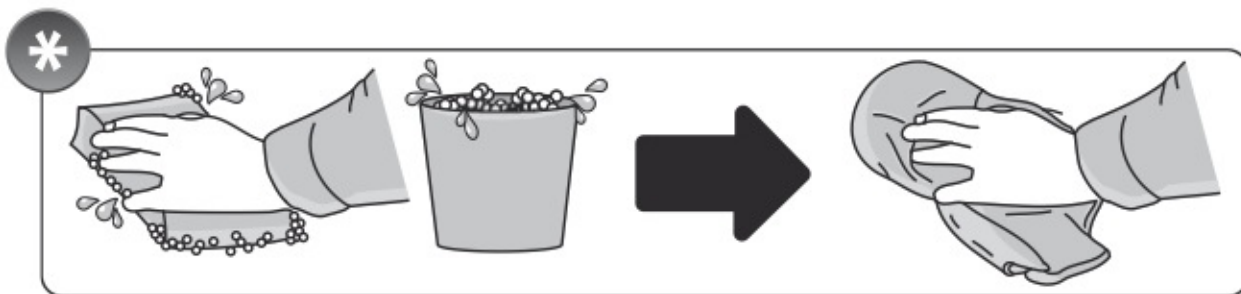
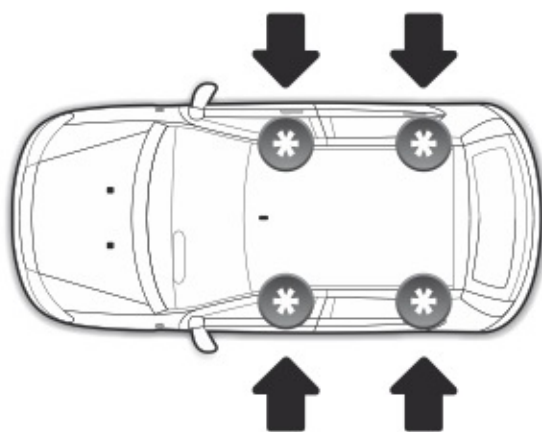
5,5kg



max: **???**kg



Safety Regulations

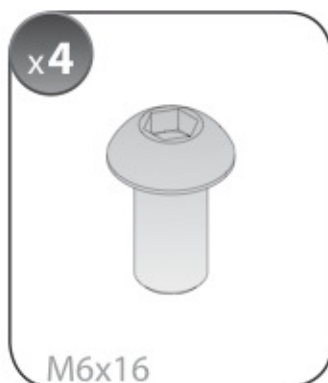
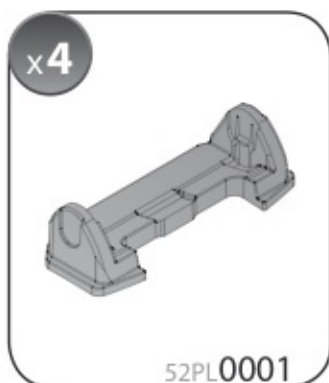
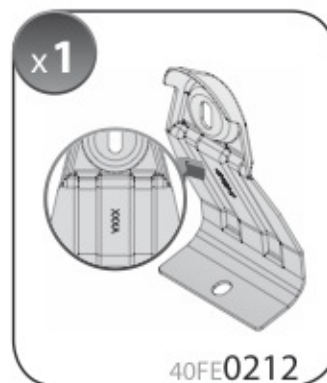
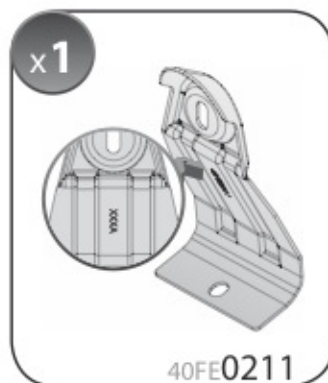
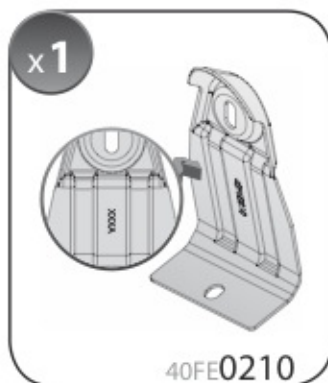
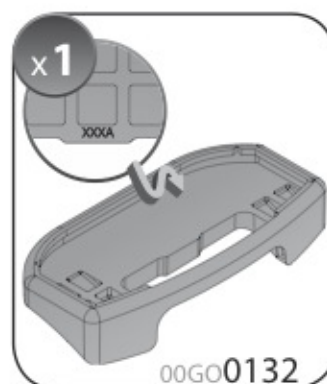
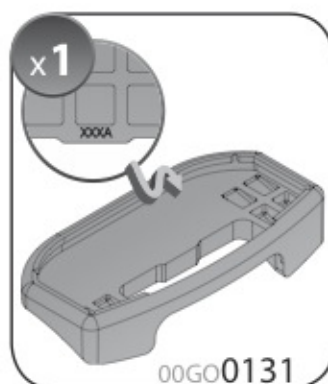
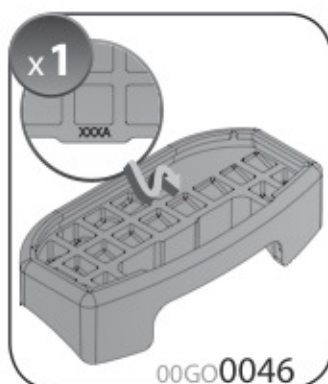
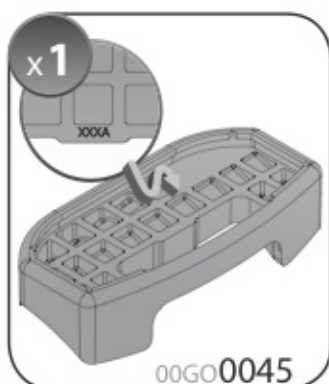
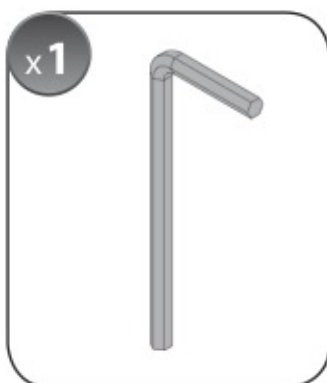


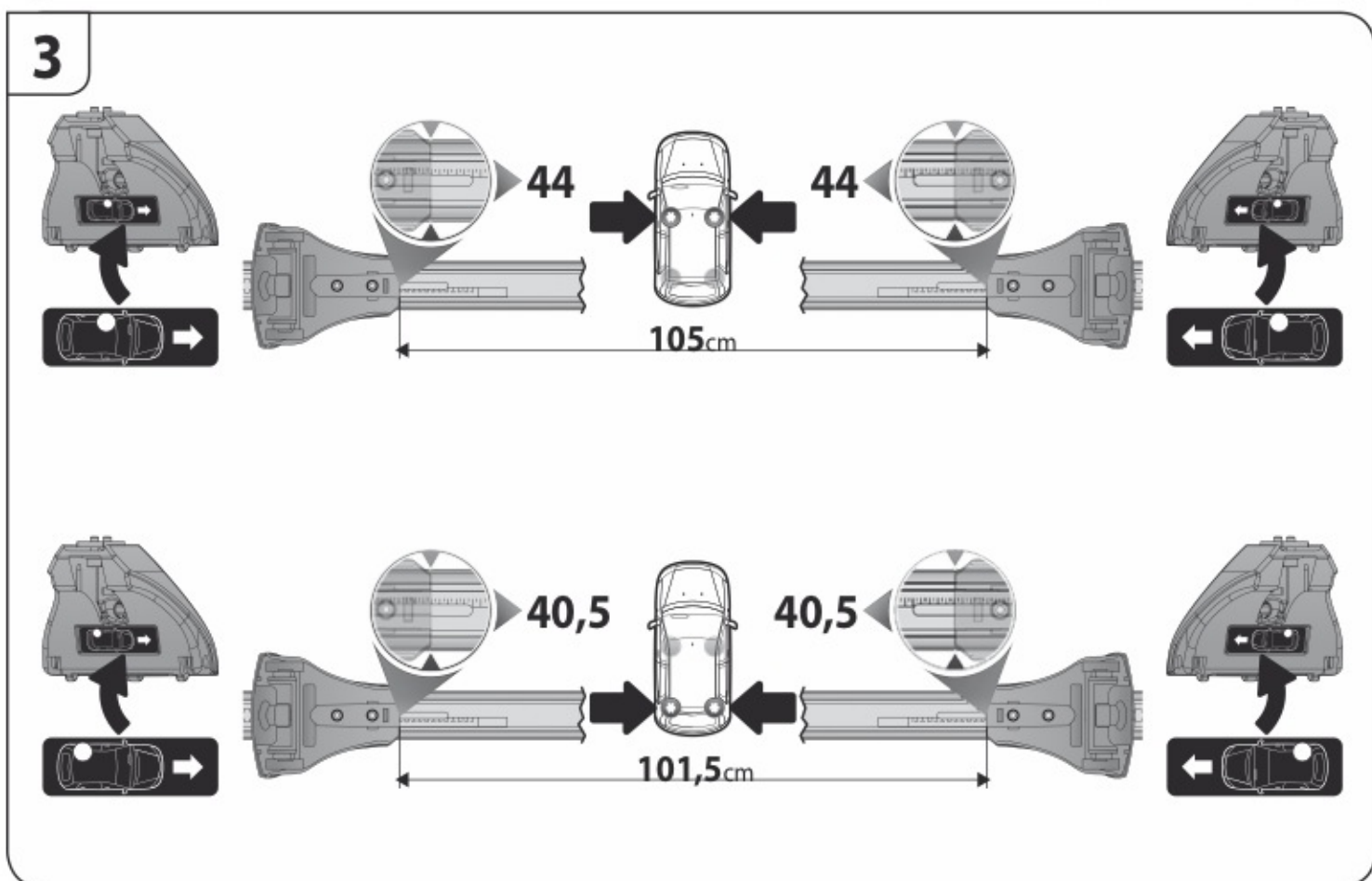
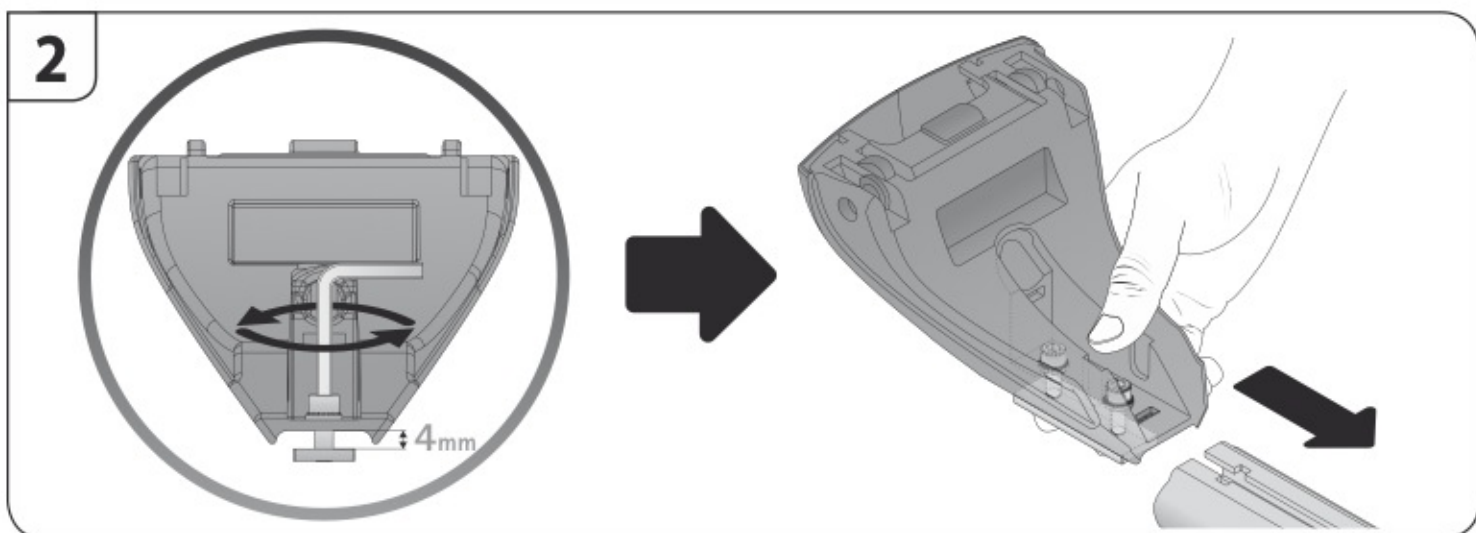
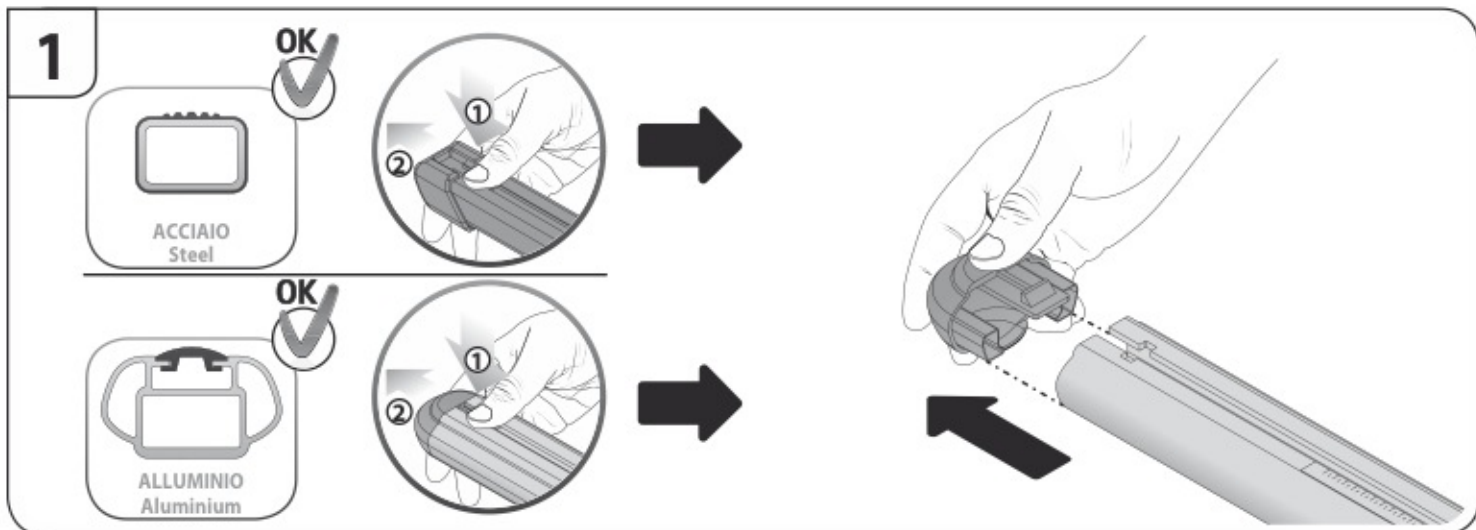


RENAULT
ESPACE

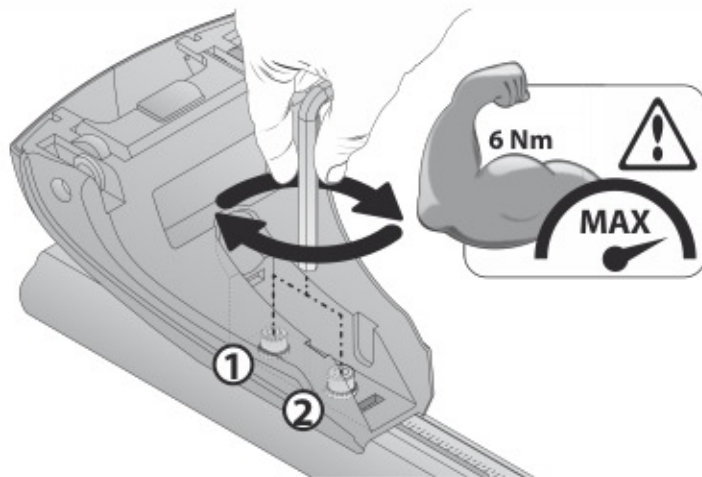
5/15 →

Art. **N21178**

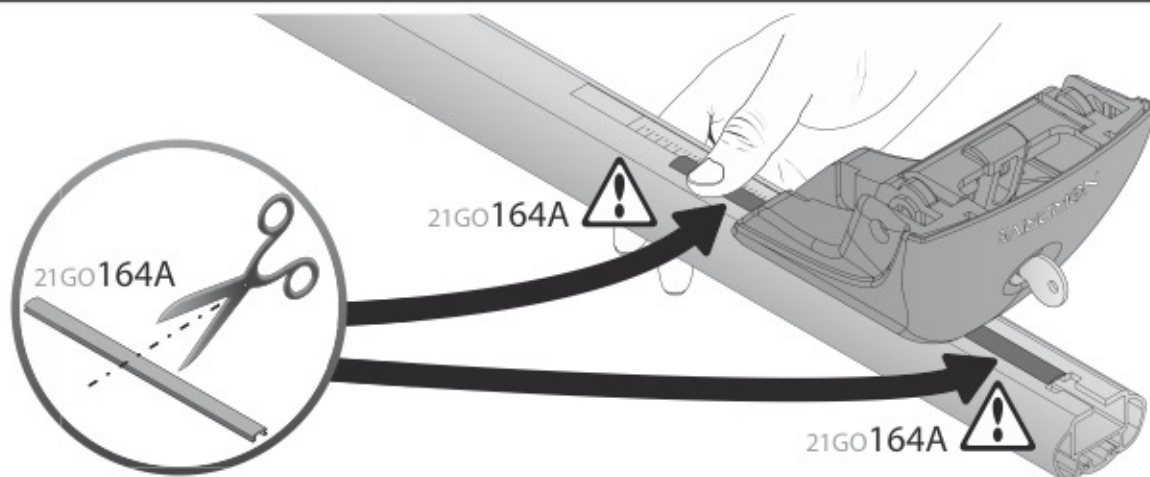




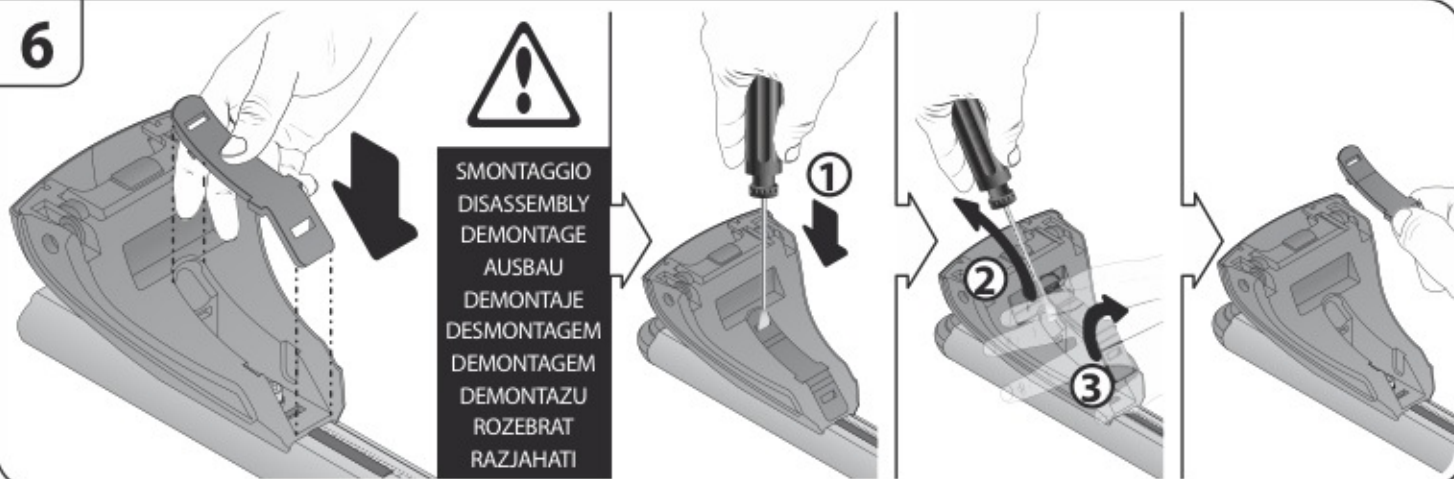
4



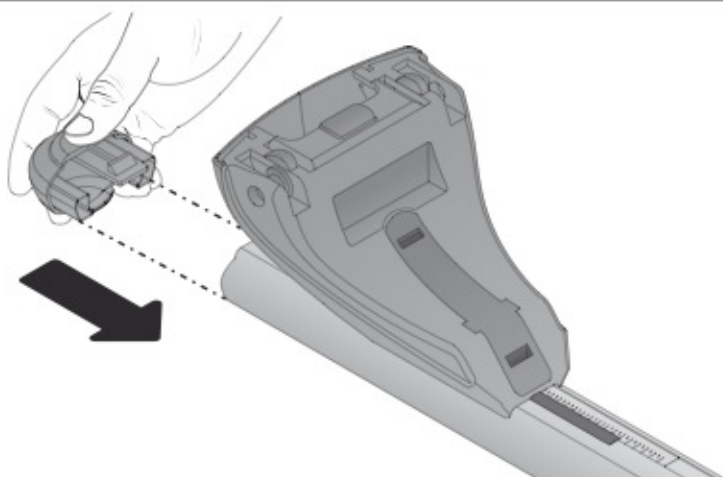
5

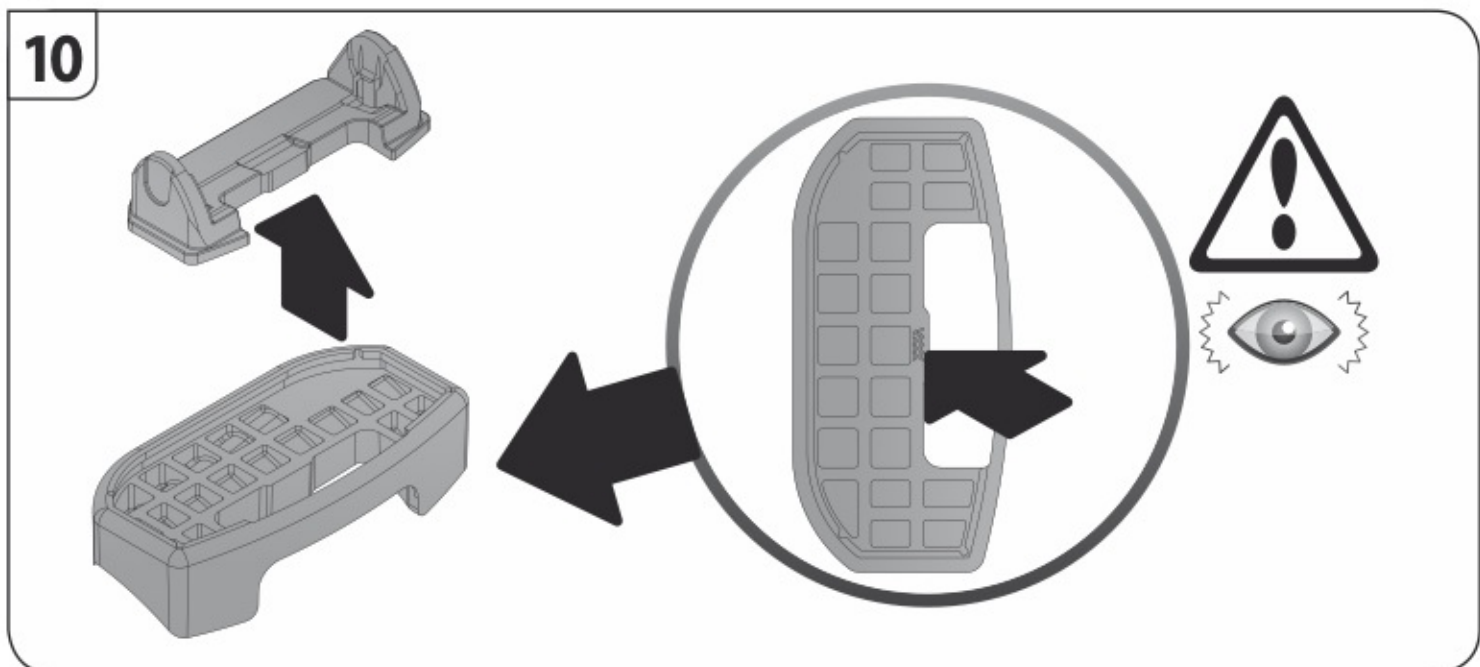
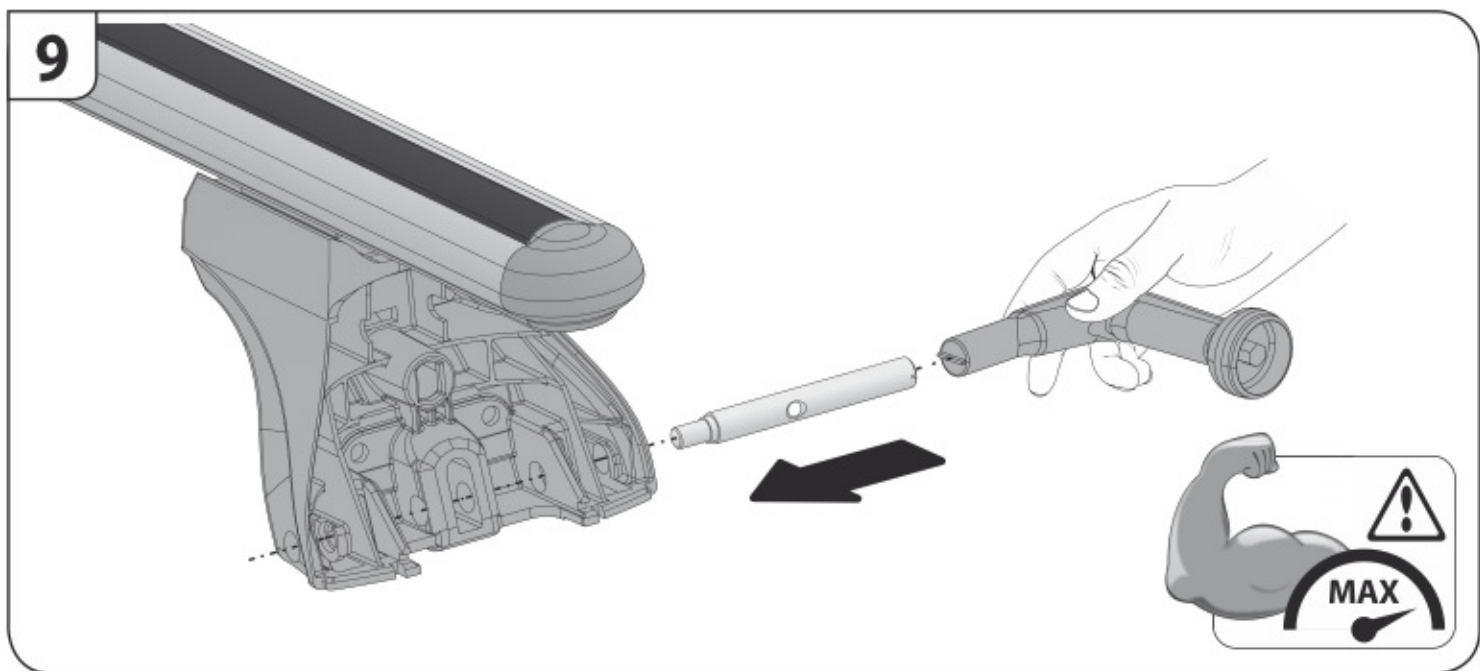
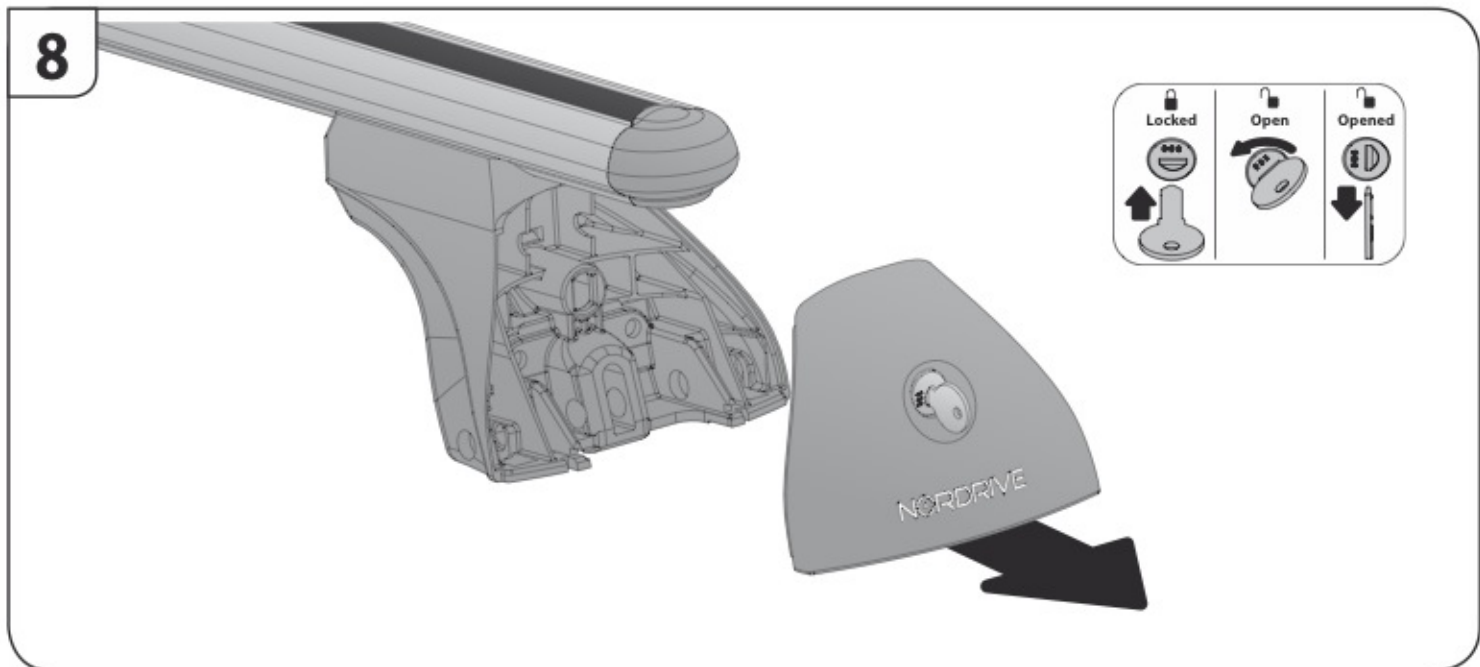


6

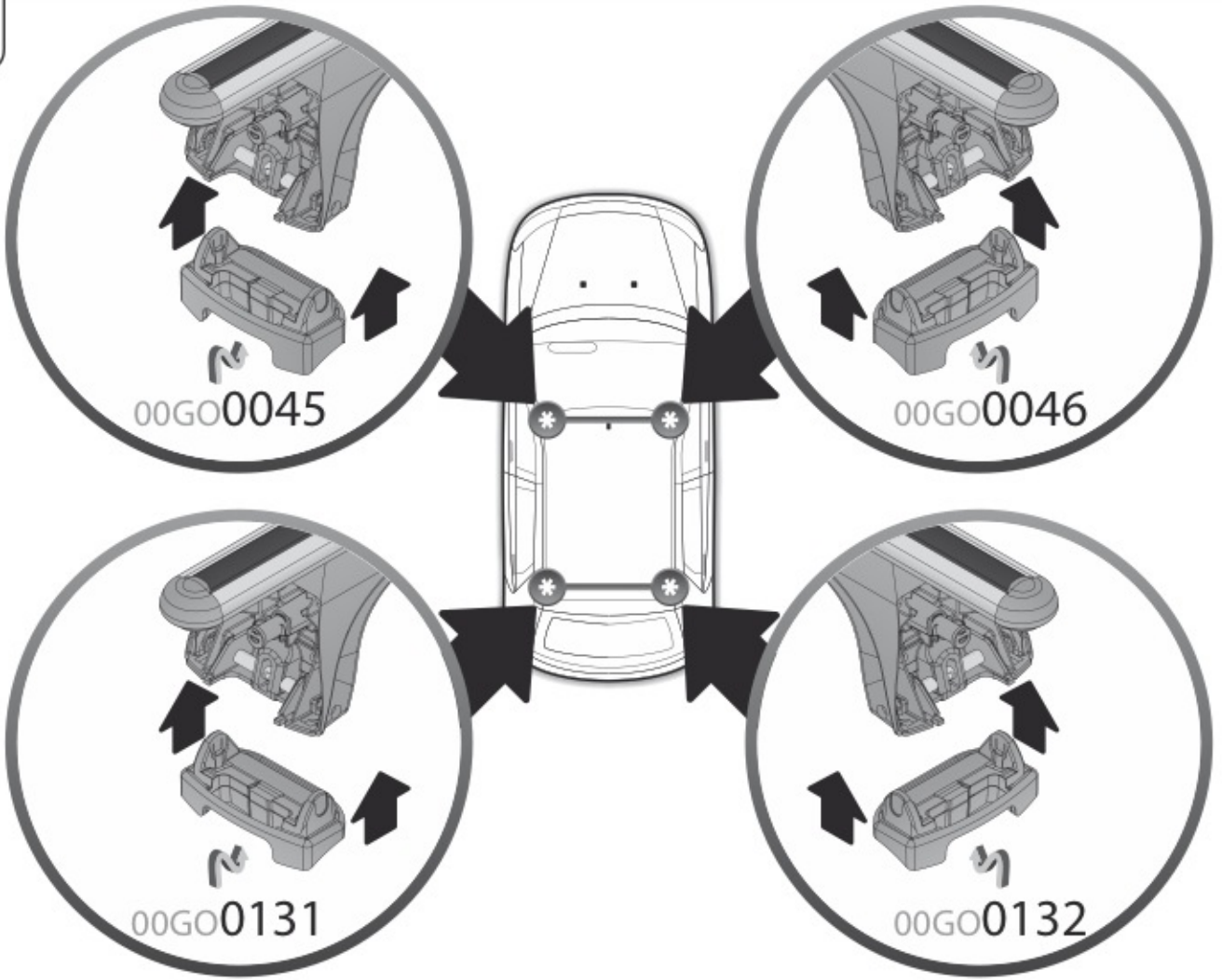


7

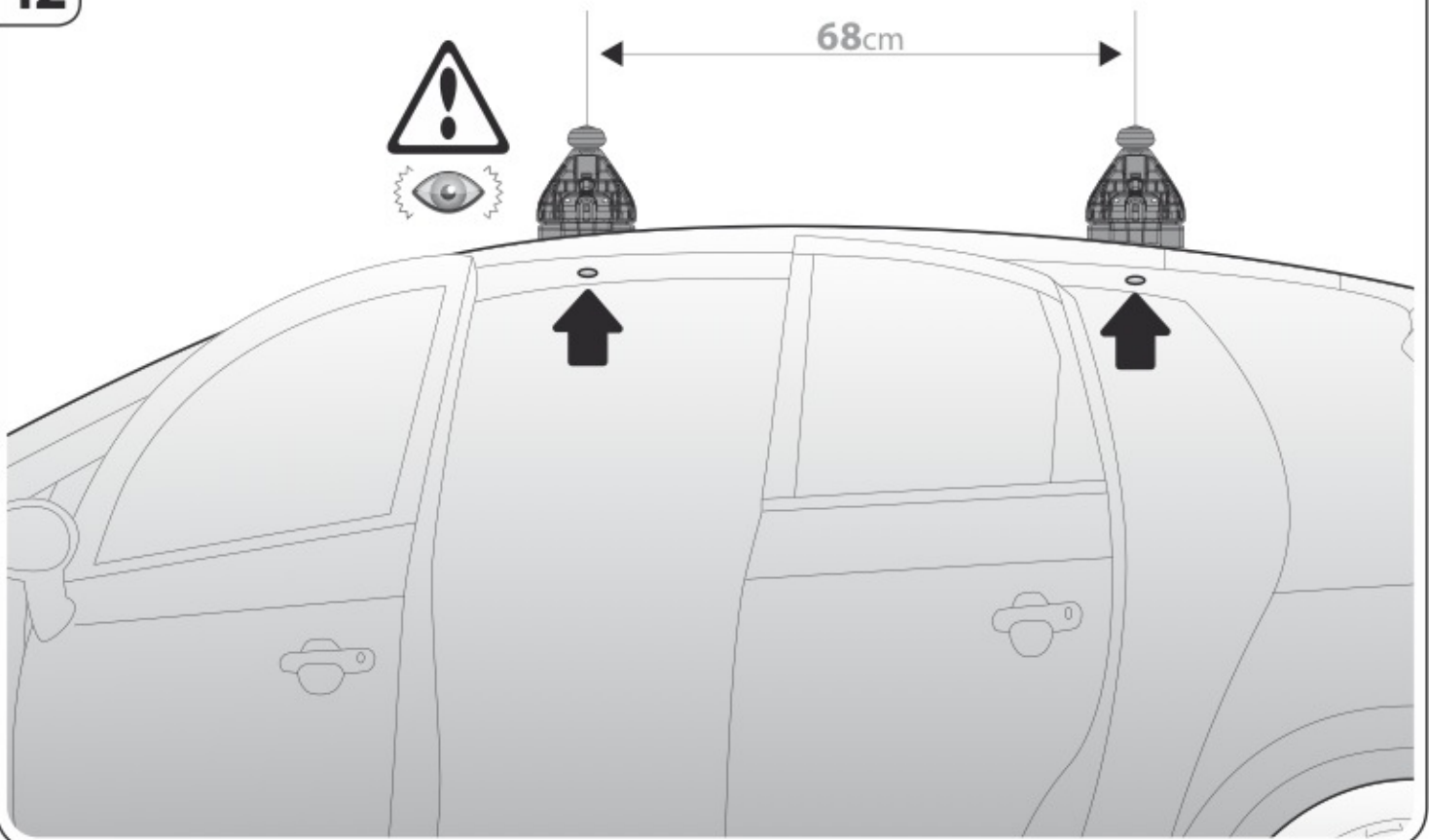




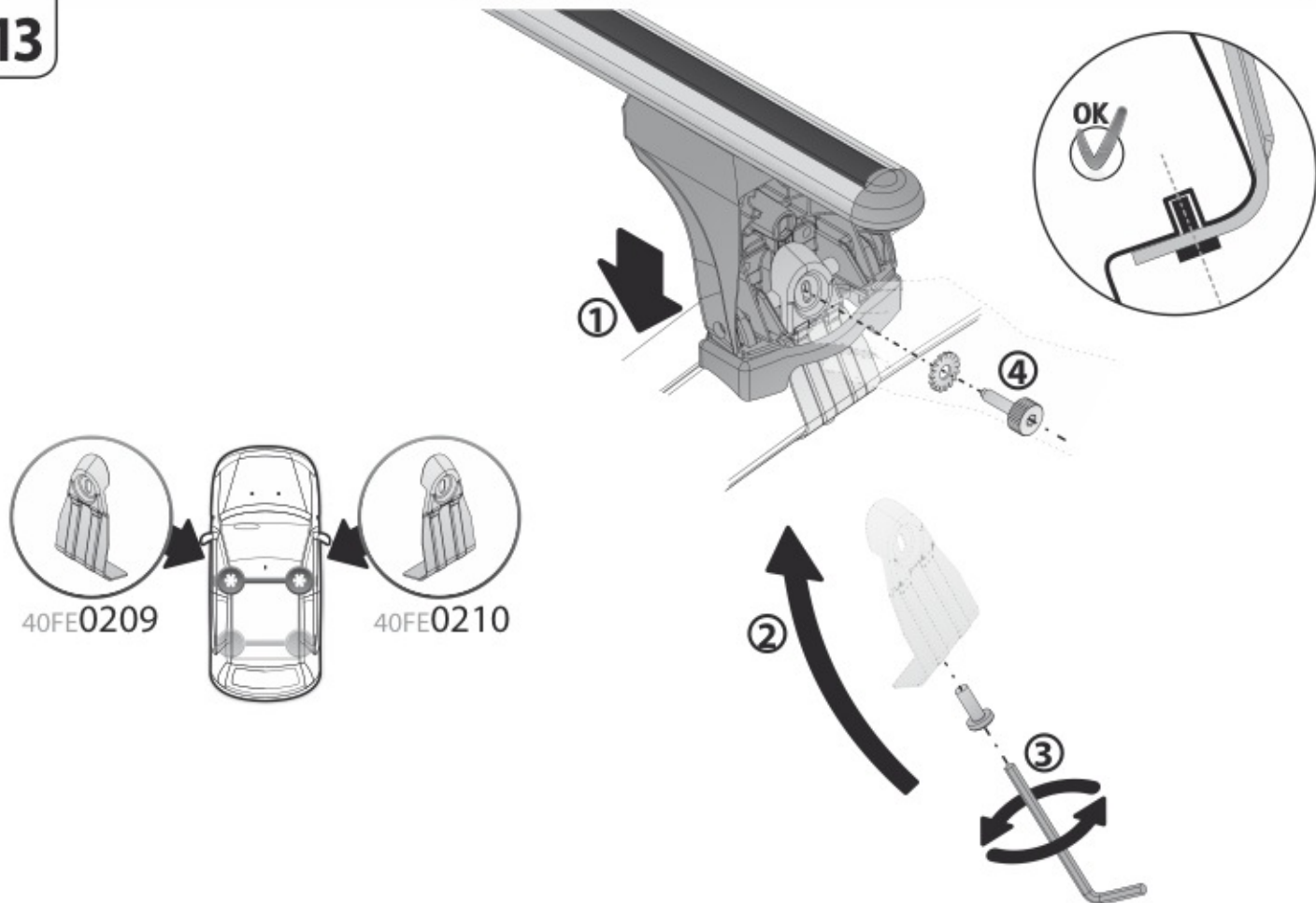
11



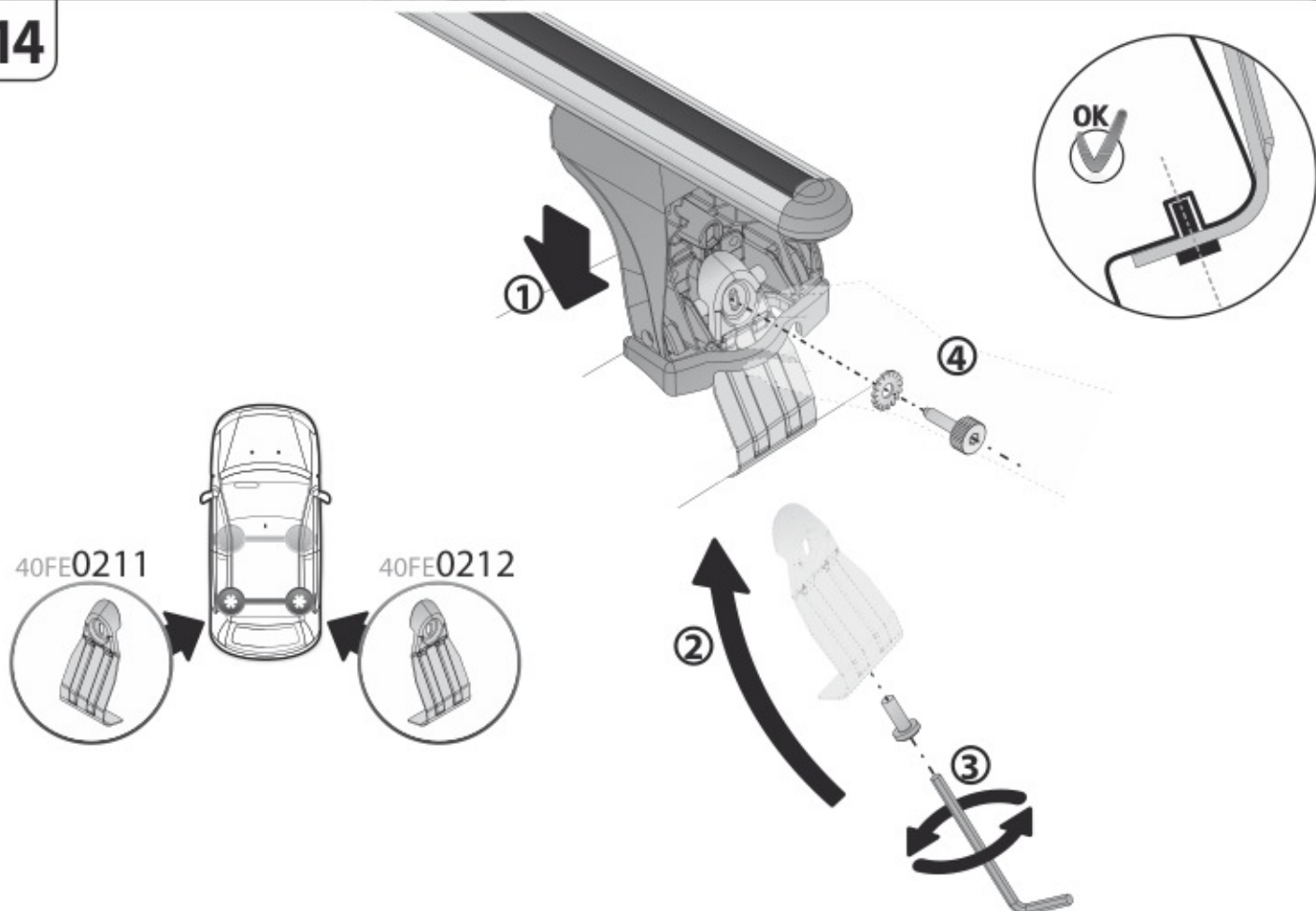
12



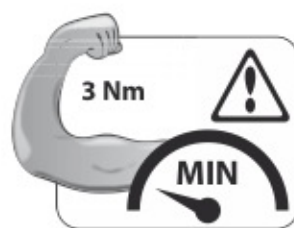
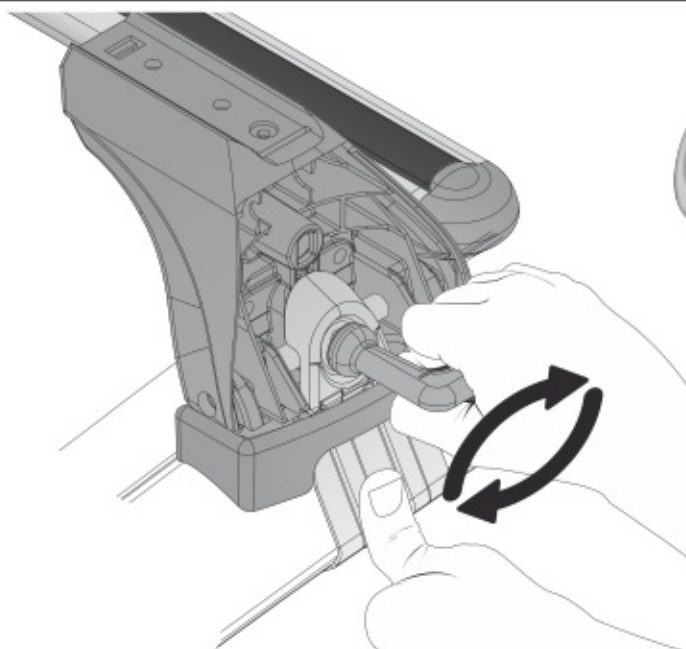
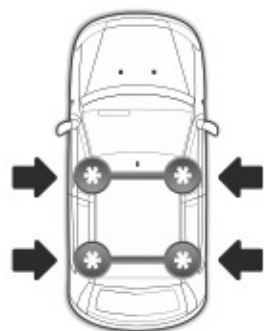
13



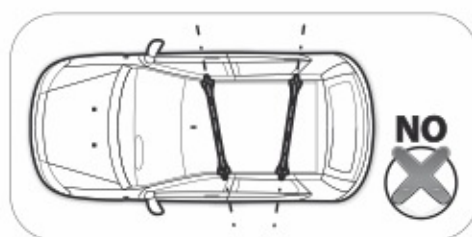
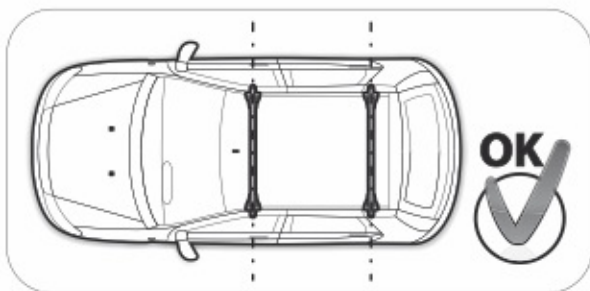
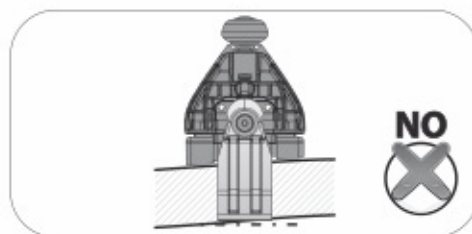
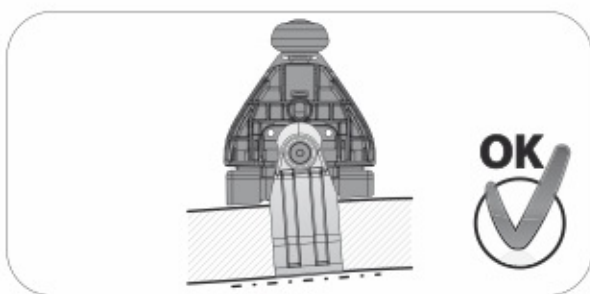
14



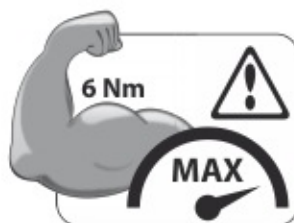
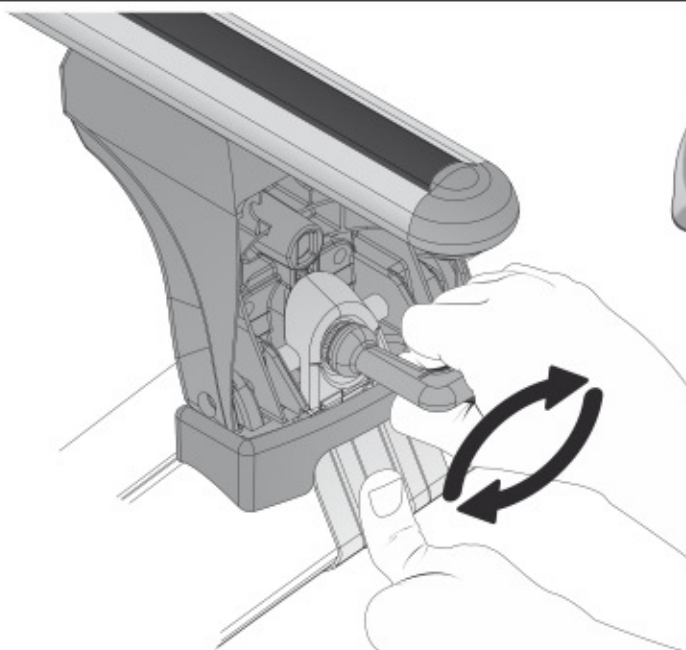
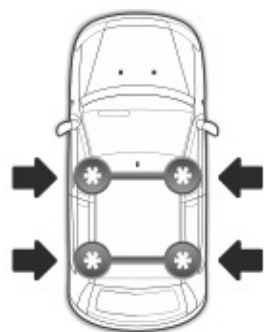
15



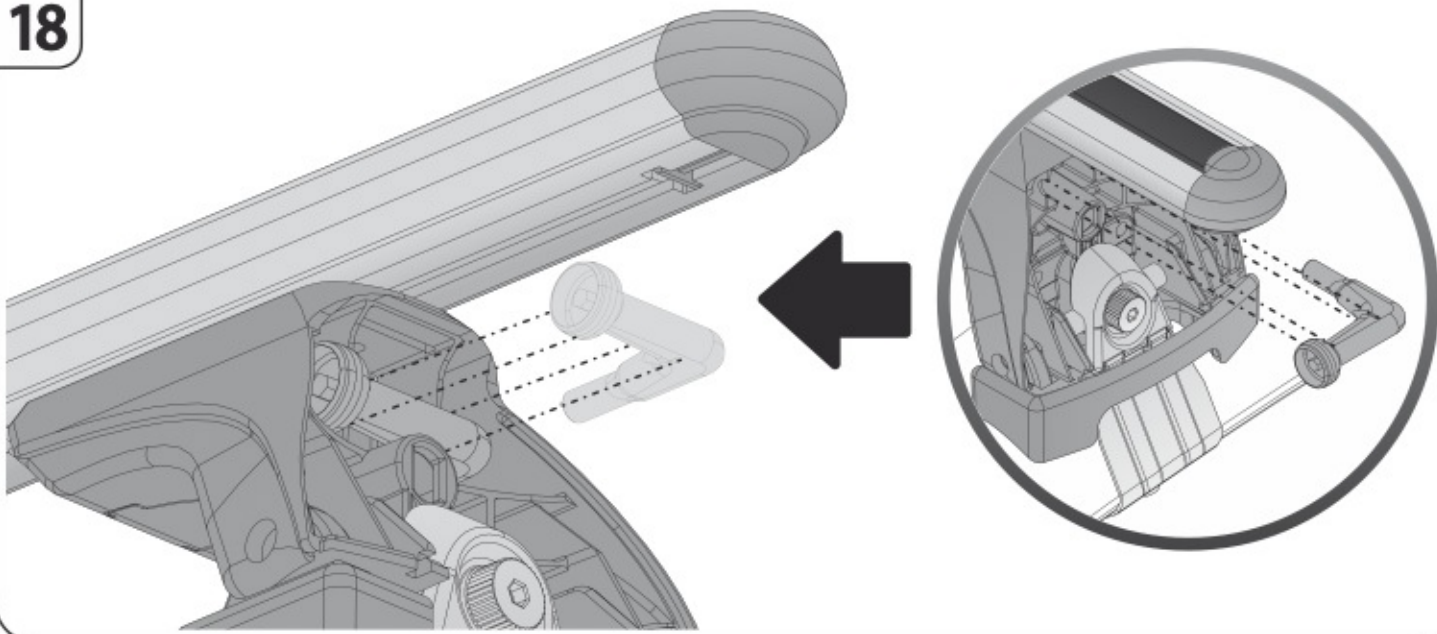
16



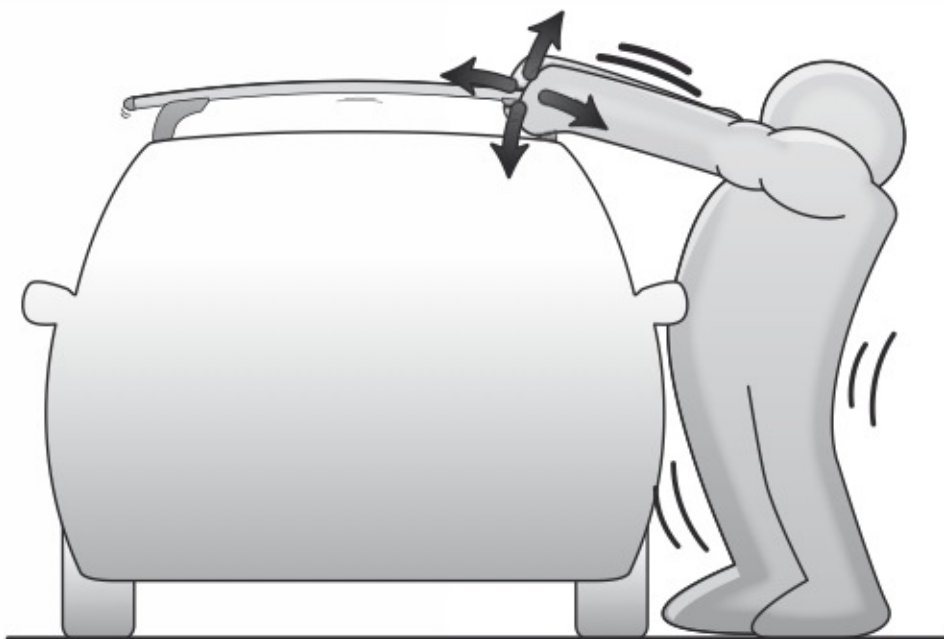
17



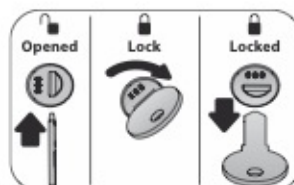
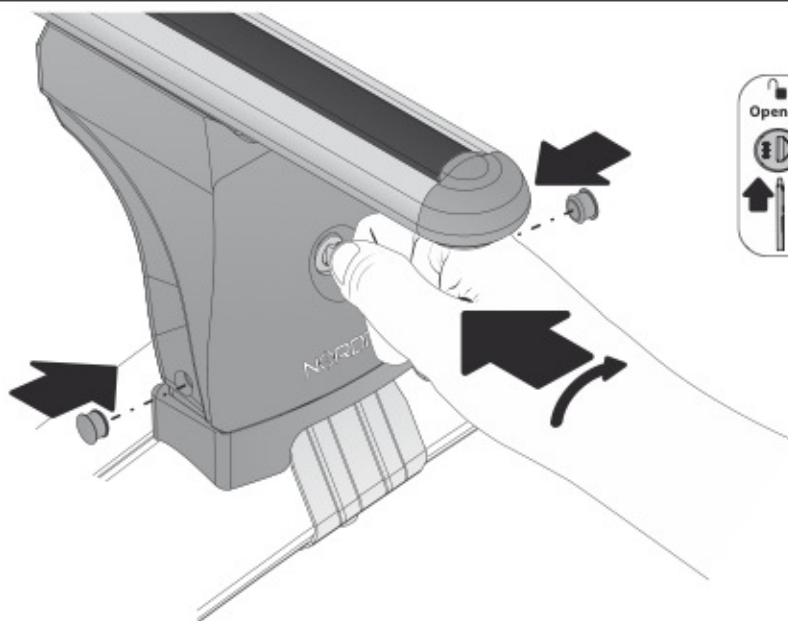
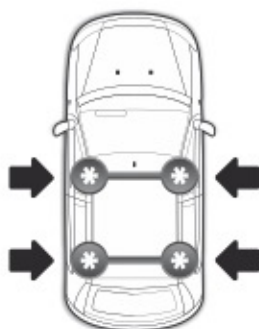
18



19



20



EVOS

NORDRIVE[®]
TRANSPORT SOLUTIONS

is a registered trade mark of

LAMPA S.p.A.

Via G. Rossa 53/55, 46019 Viadana (MN) ITALY

Tel. +39 0375 820700

UNI EN ISO 9001:2008 Certified Company

www.nordrive.it

www.lampa.it