

EVOS

NORDDRIVE[®]

TRANSPORT SOLUTIONS

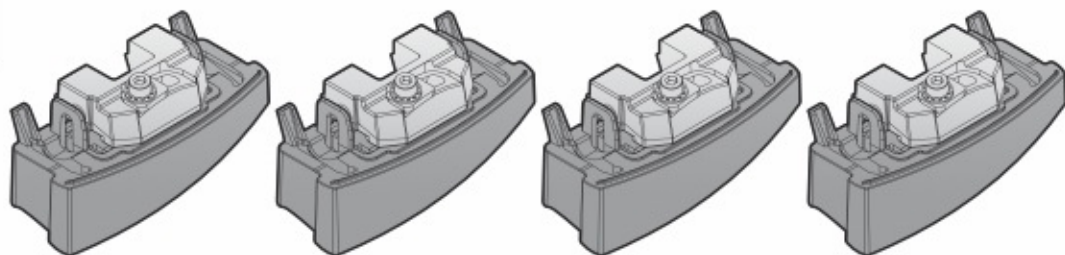
BMW SERIE 4
COUPÉ



BMW SERIE 4
GRAN COUPÉ



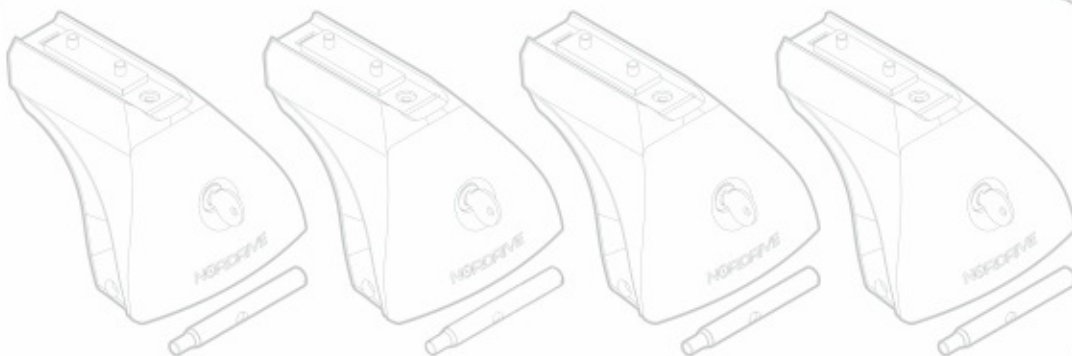
Art.
N21175



C



Art. **N20001**



B



Art. **N15019 S**



A

ACCIAIO
Steel




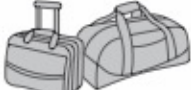
Art. **N15024 S**



A

ALLUMINIO
Aluminium

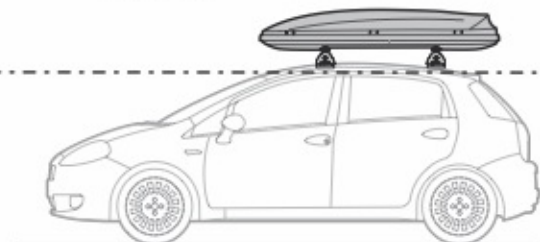


 +  +  = max: **75kg**

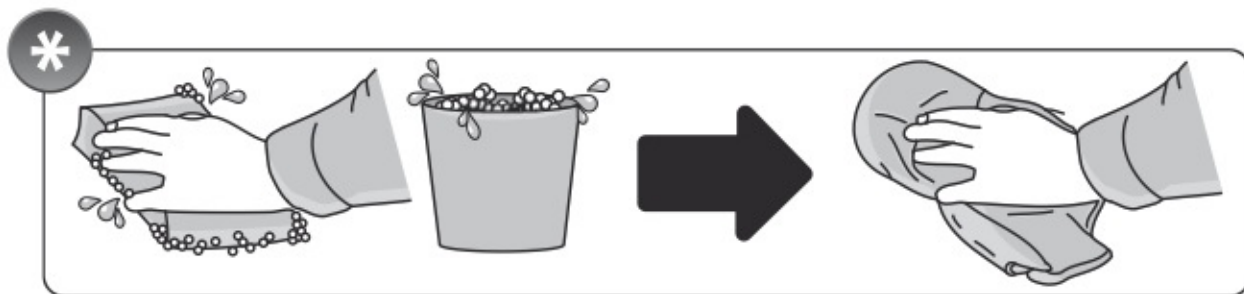
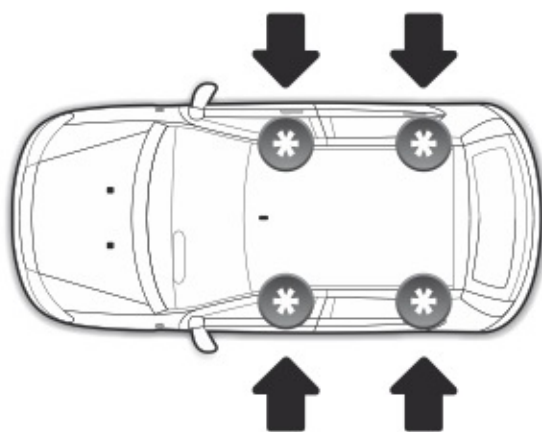
5,5kg



max: **???**kg



Safety Regulations





BMW SERIE 4
COUPÉ



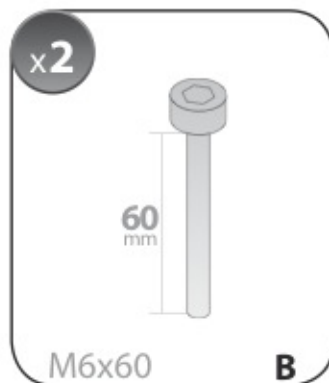
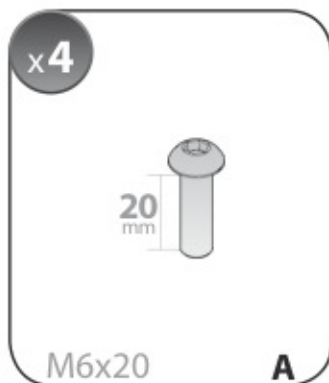
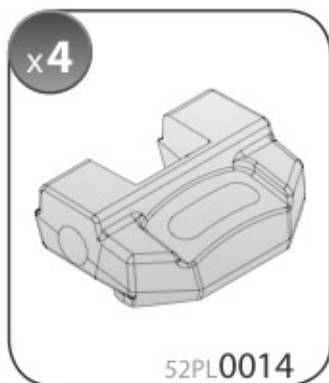
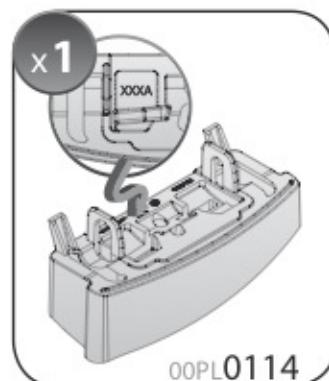
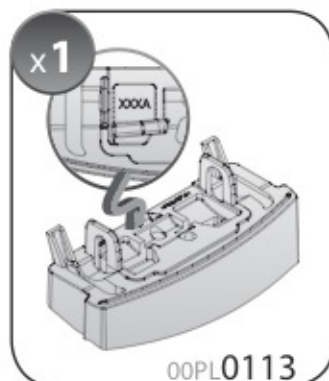
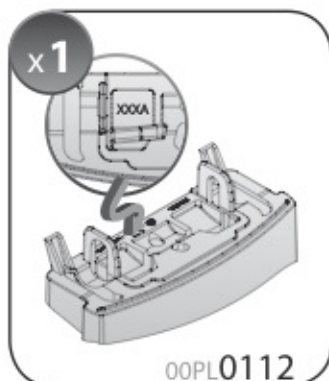
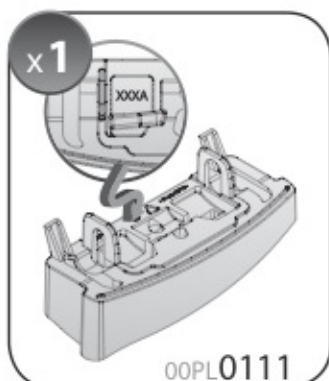
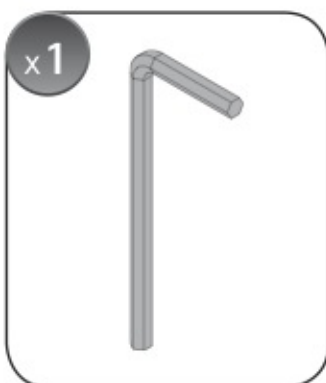
10/13 →

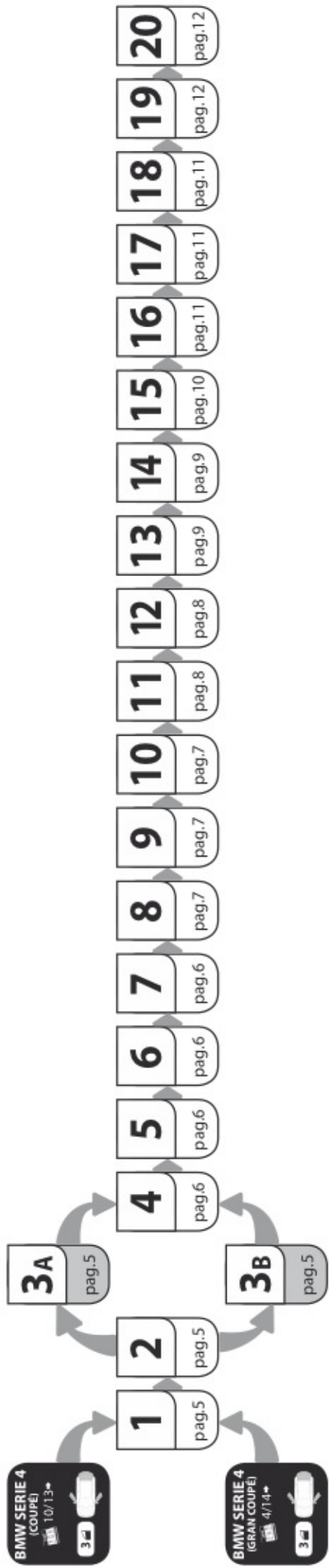
BMW SERIE 4
GRAN COUPÉ

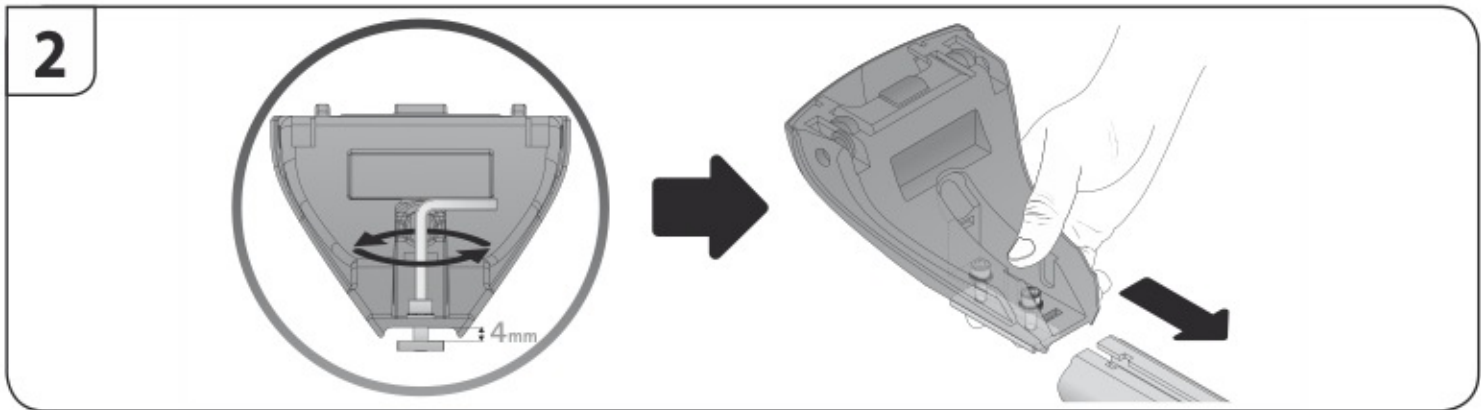
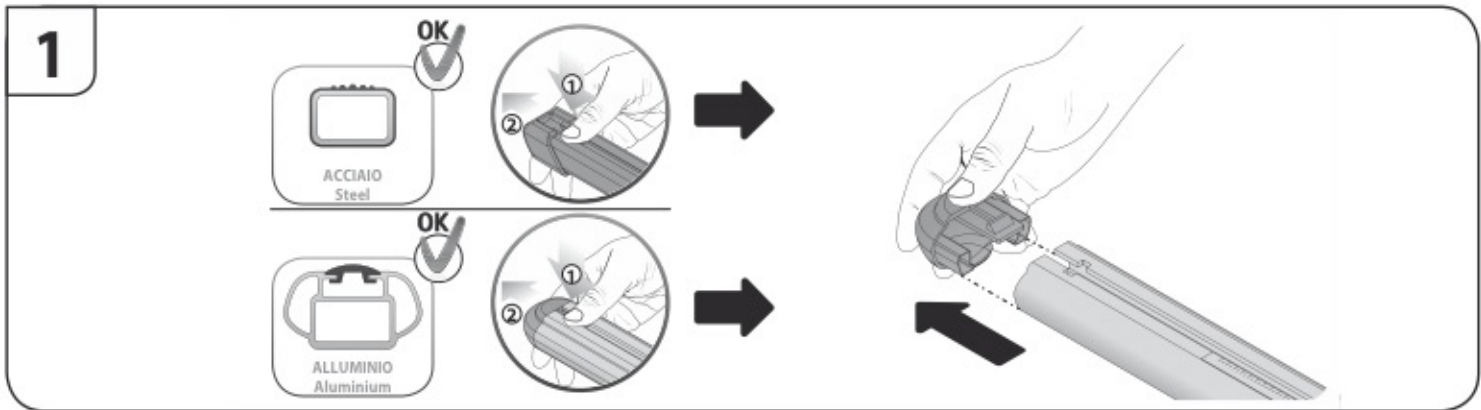


4/14 →

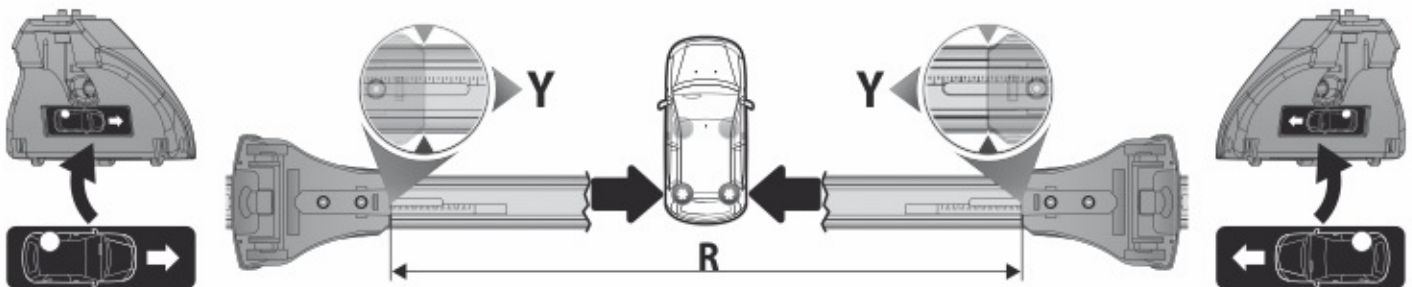
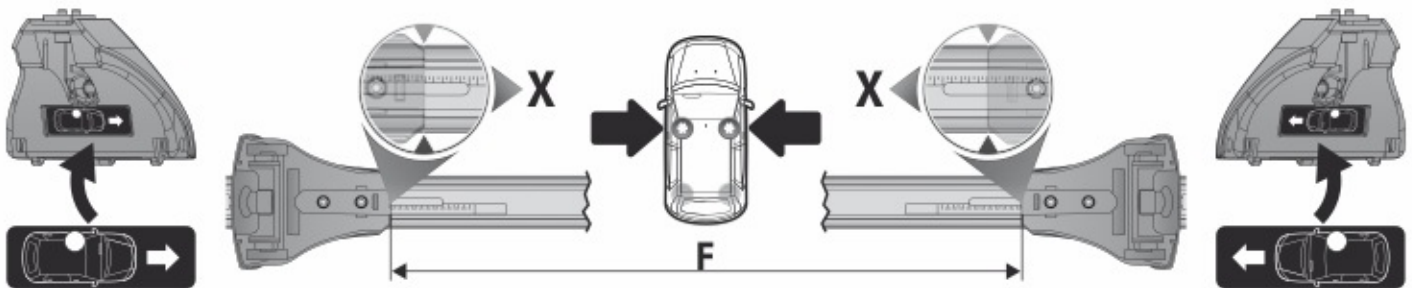
Art. **N21175**



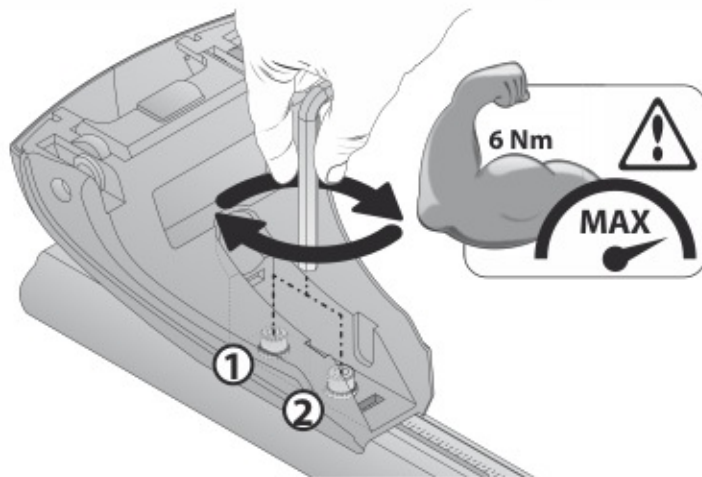




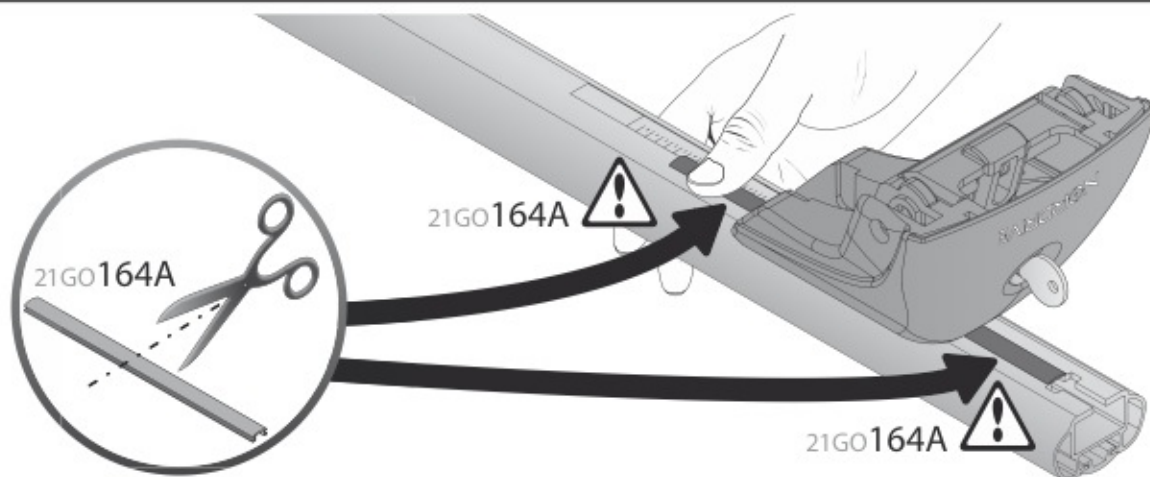
3A	BMW SERIE 4 COUPÉ		10/13 →	17,5 (F=78,5cm)	17,5 (R=78,5cm)
3B	BMW SERIE 4 GRAN COUPÉ		4/14 →	17,5 (F=78,5cm)	15,5 (R=76,5cm)
				X	Y



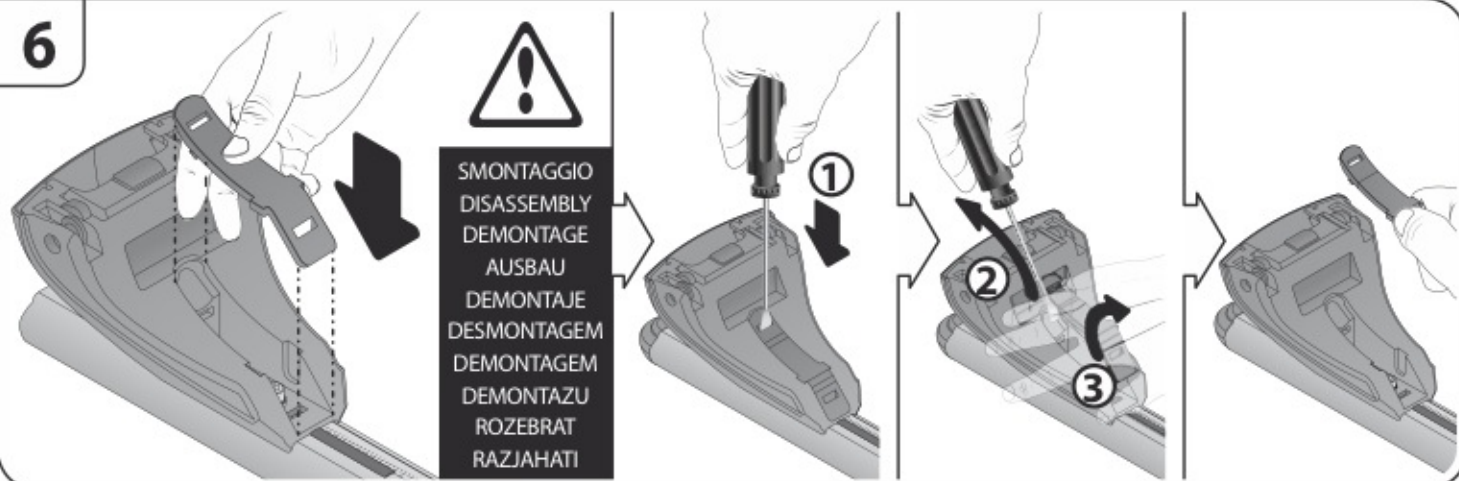
4



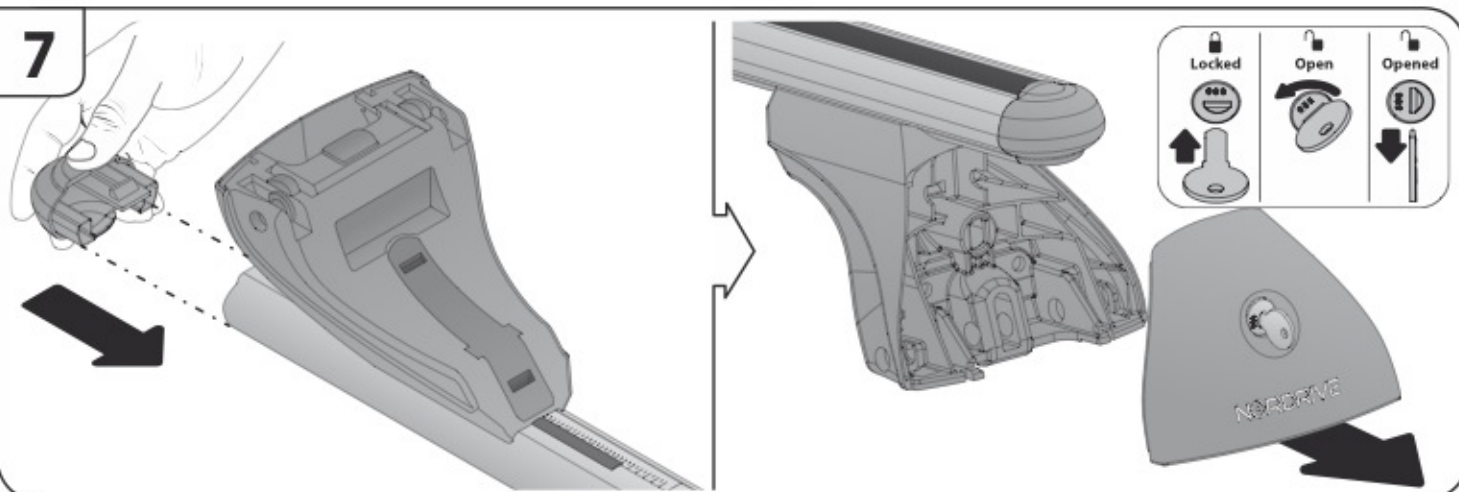
5



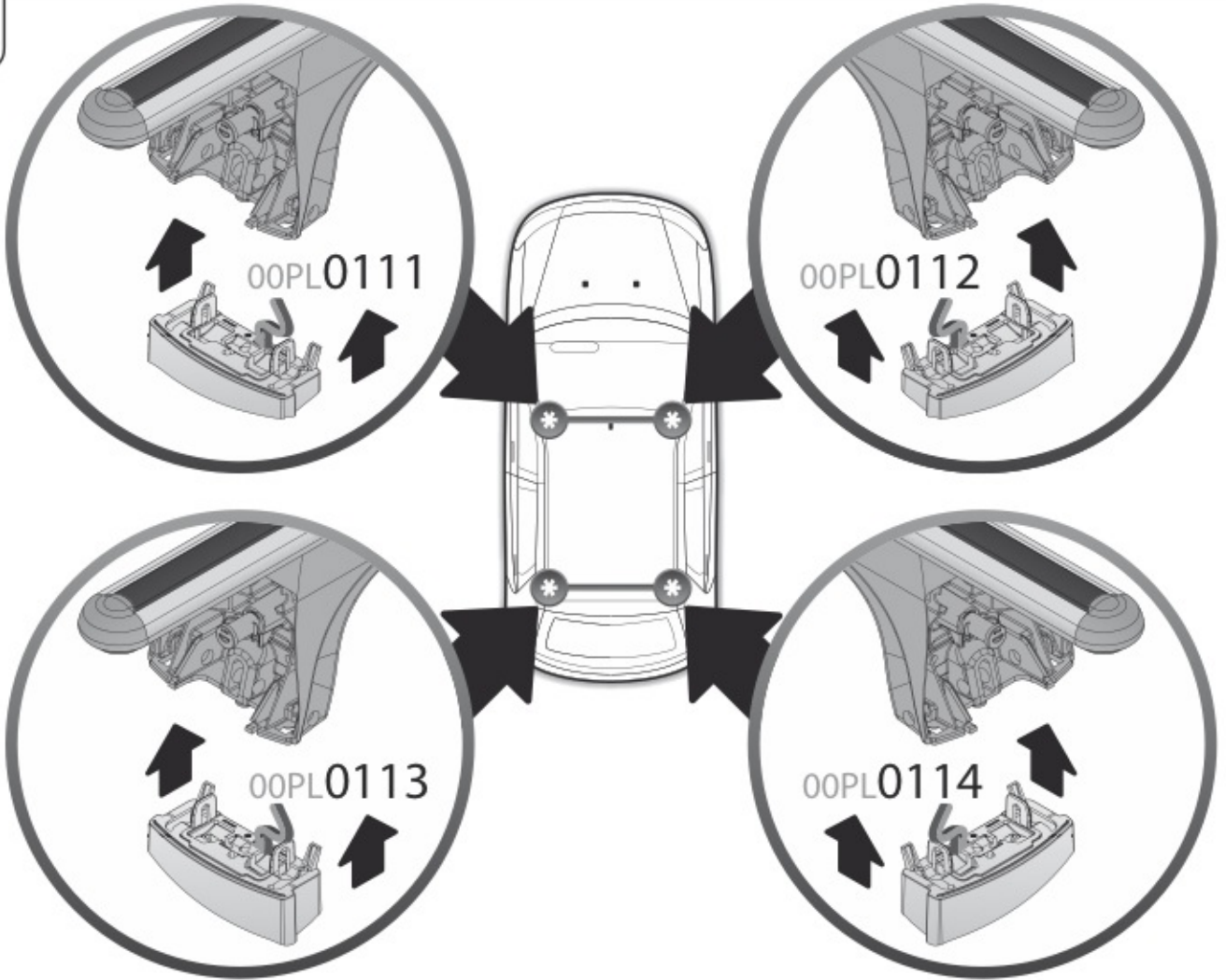
6



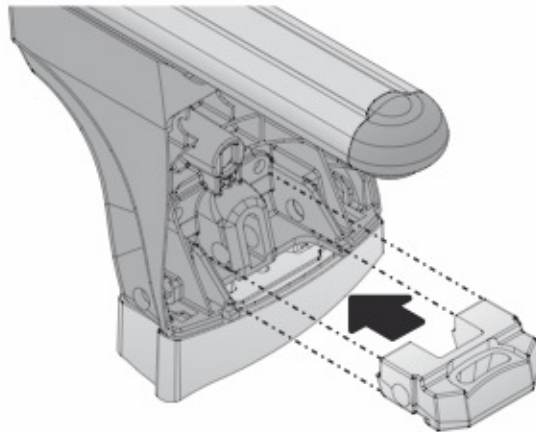
7



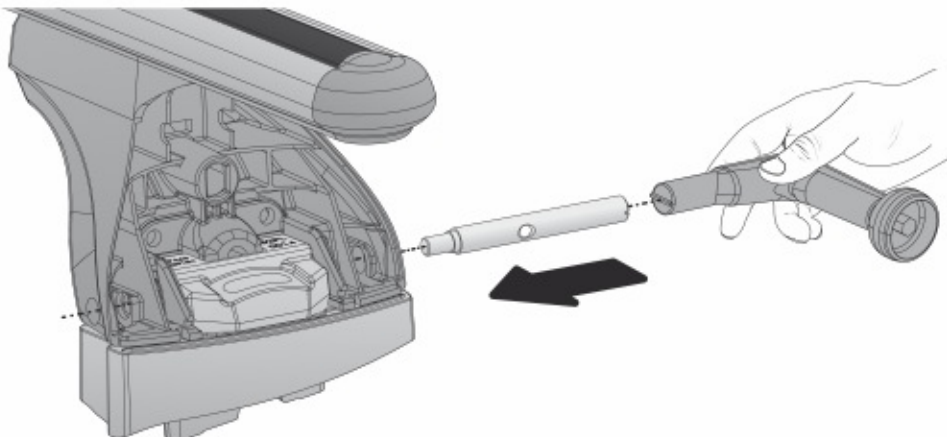
8



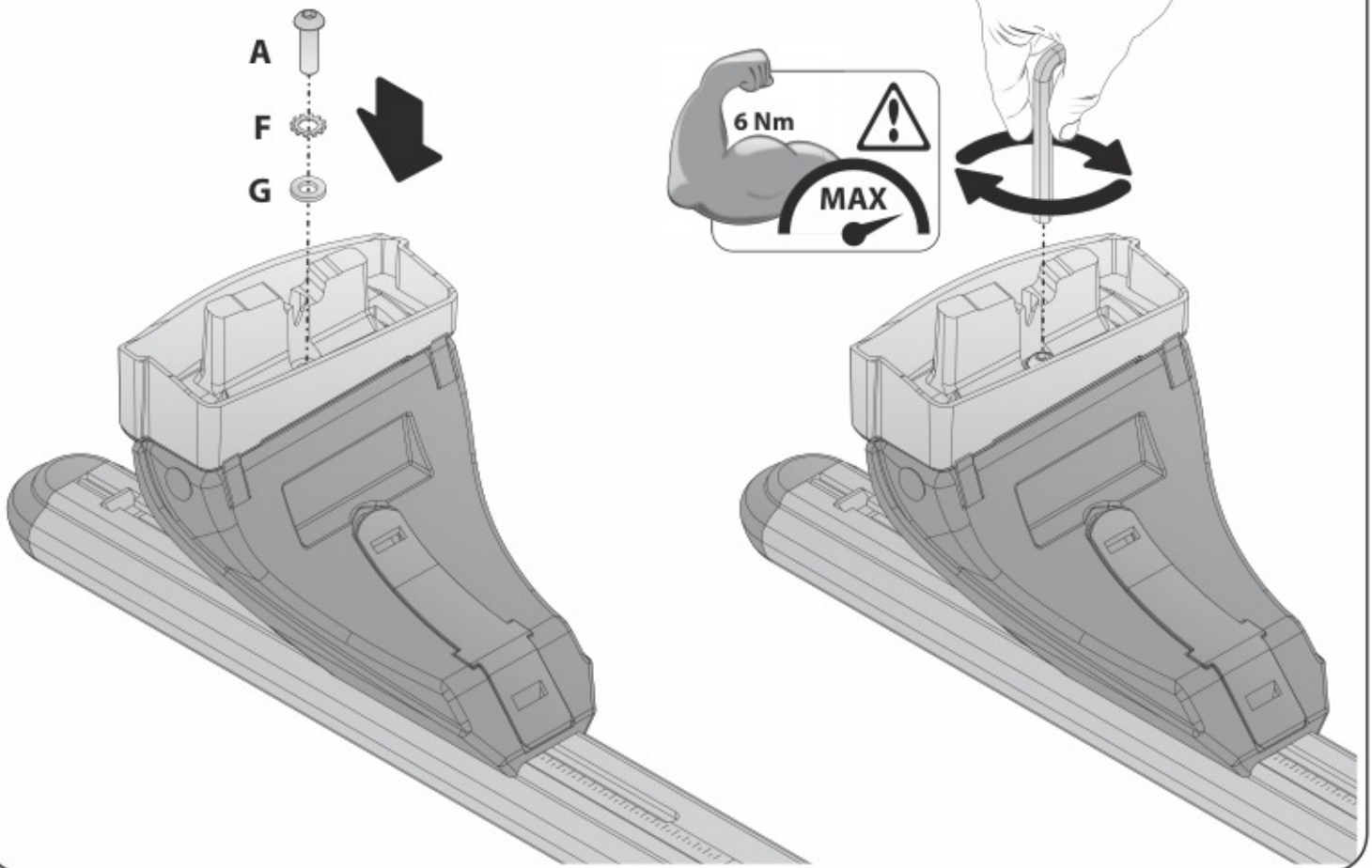
9



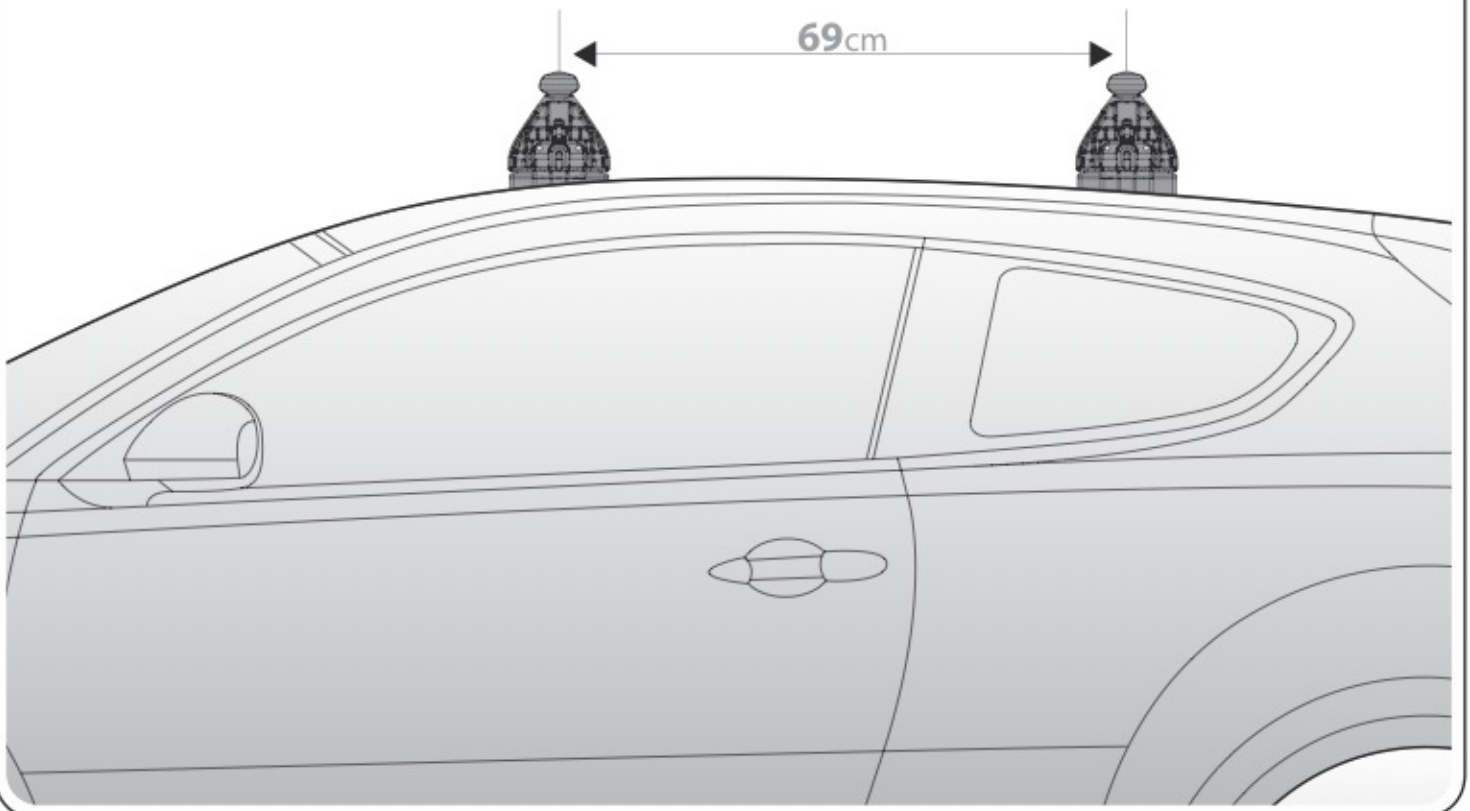
10



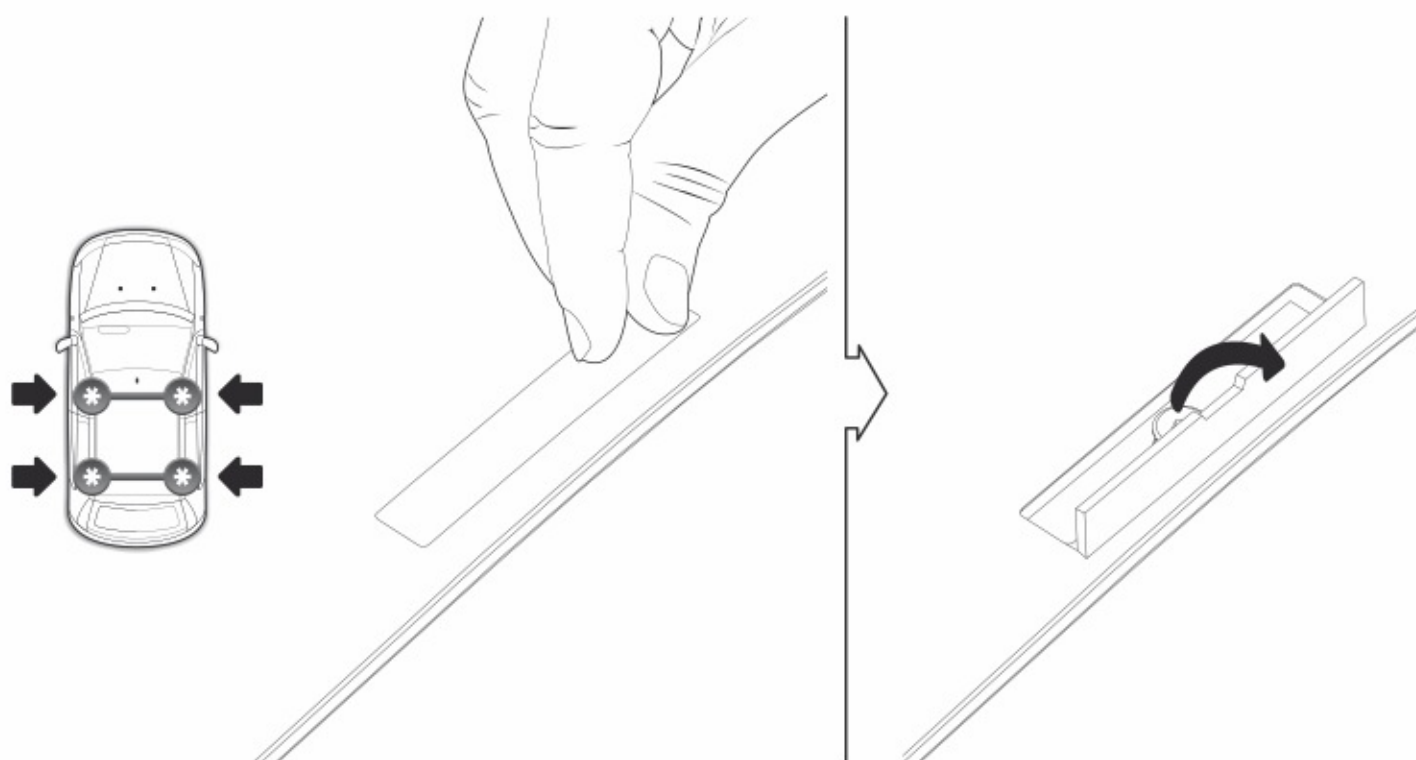
11



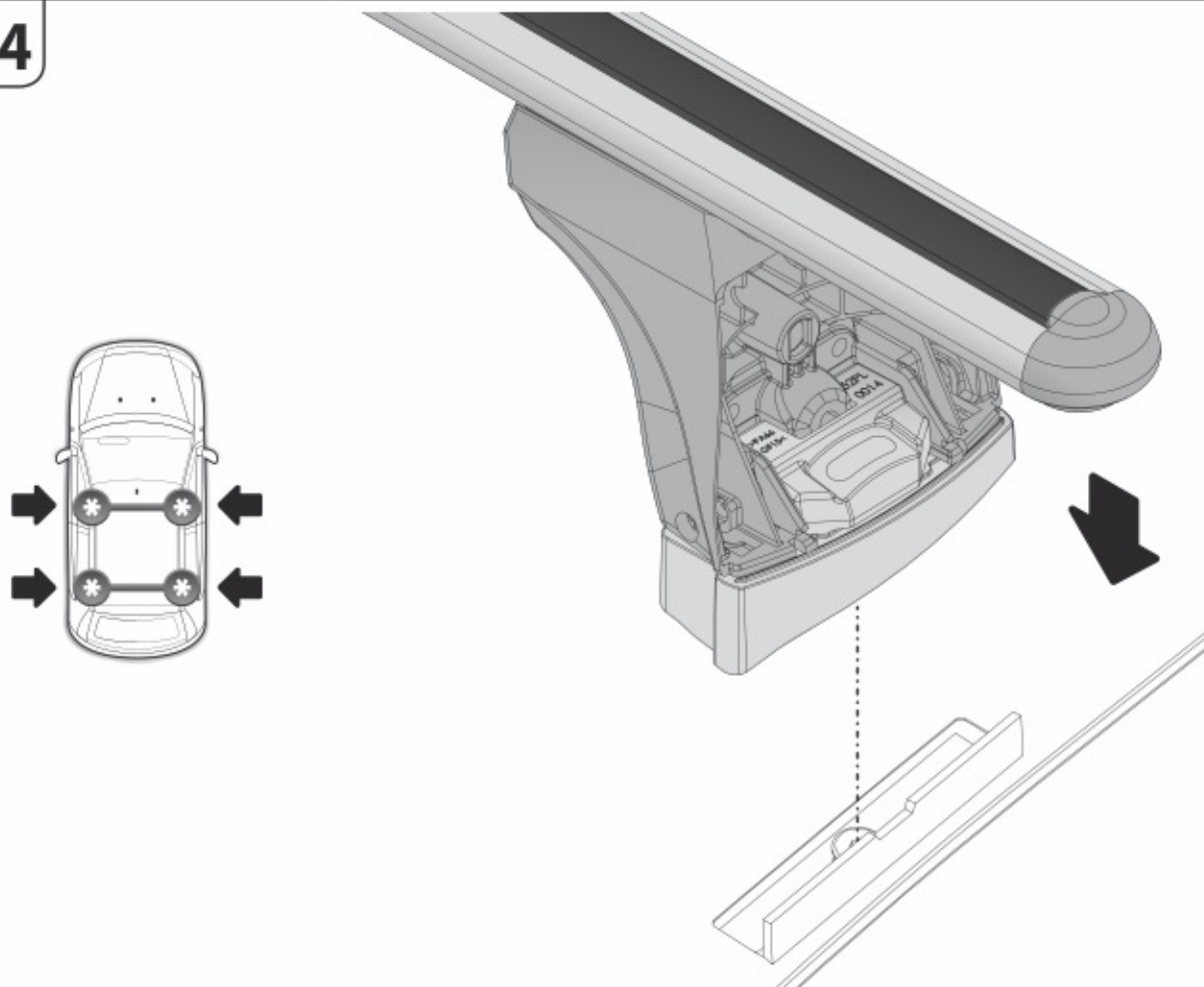
12



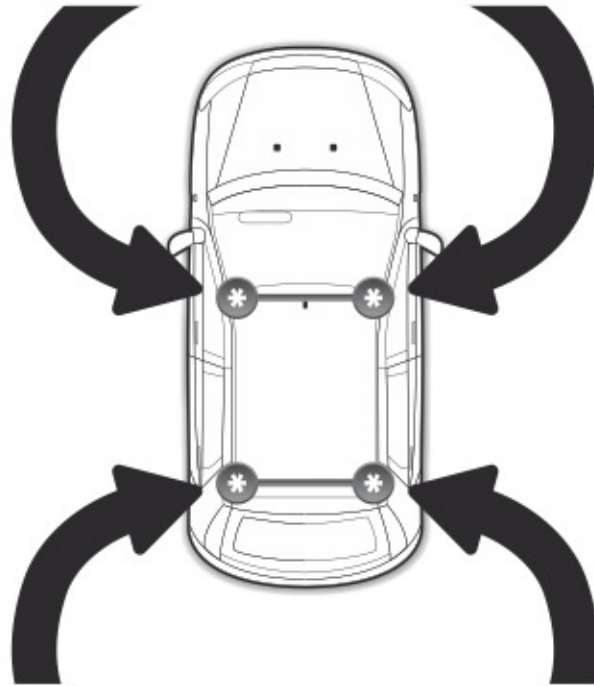
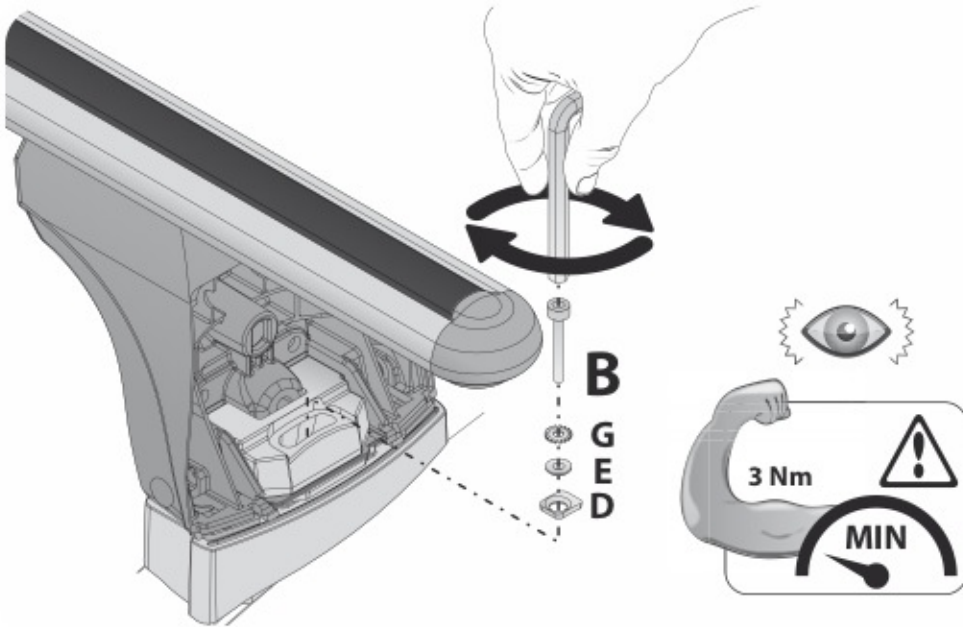
13



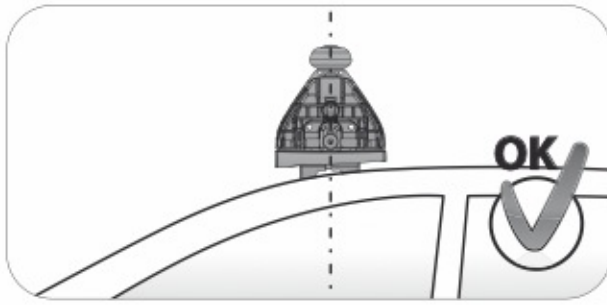
14



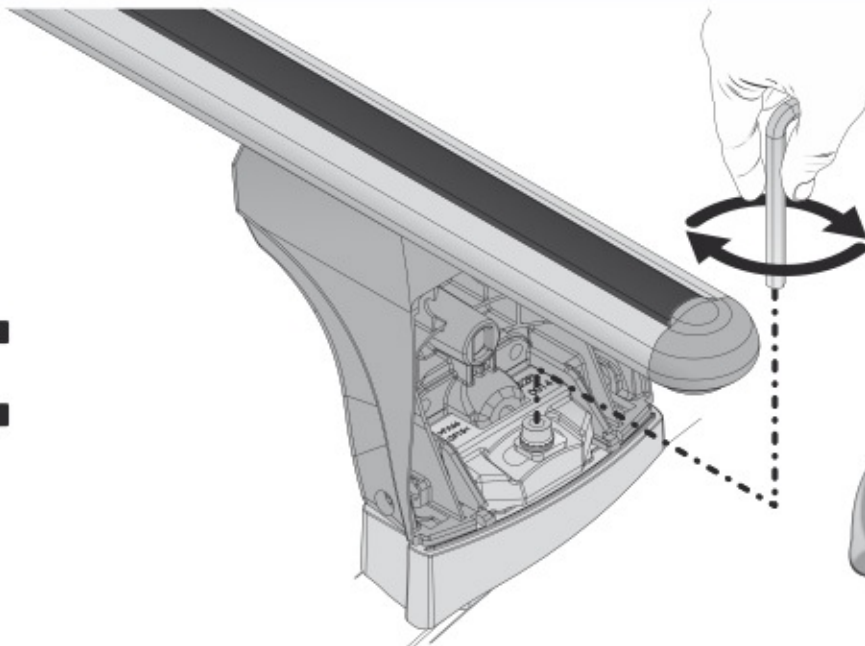
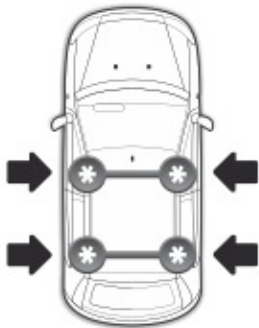
15



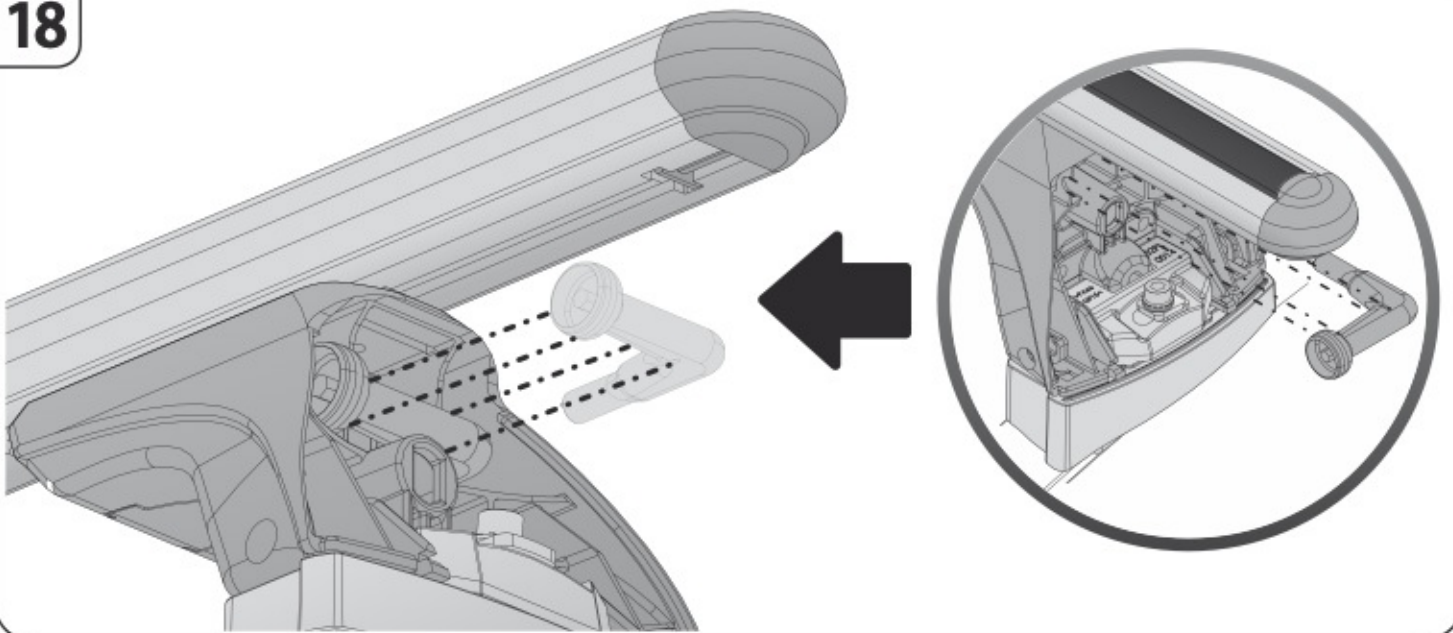
16



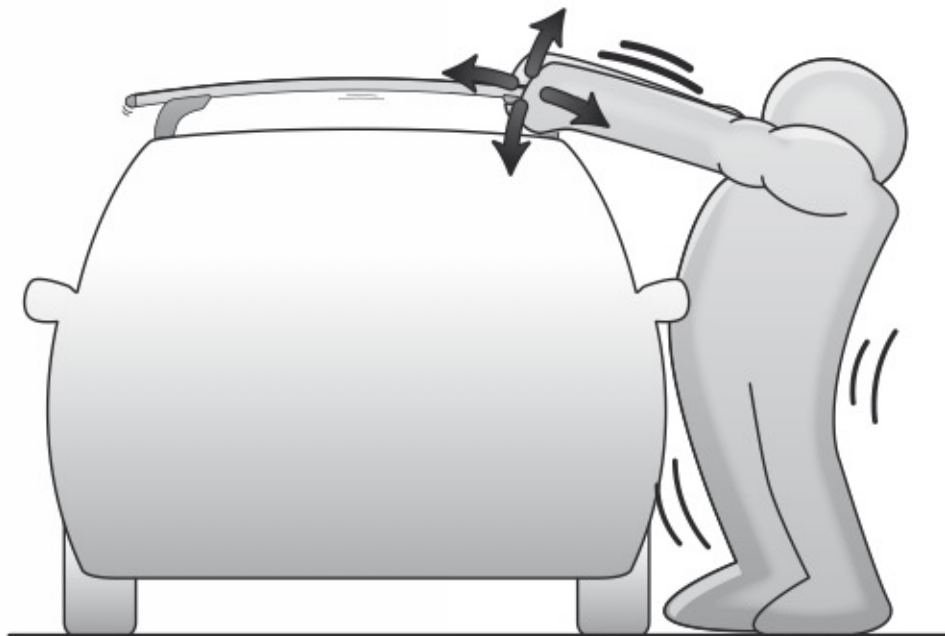
17



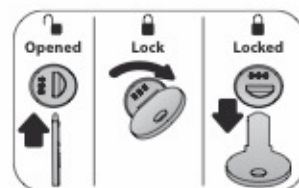
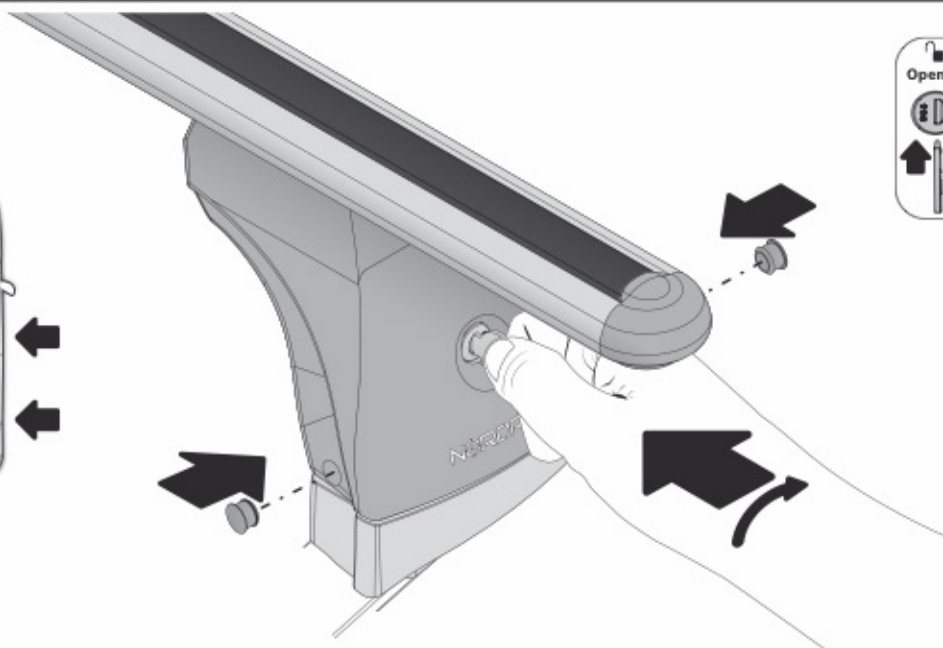
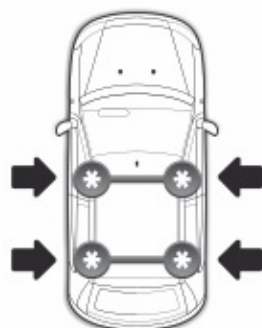
18



19



20



EVOS

NORDRIVE[®]
TRANSPORT SOLUTIONS

is a registered trade mark of

LAMPA S.p.A.

Via G. Rossa 53/55, 46019 Viadana (MN) ITALY

Tel. +39 0375 820700

UNI EN ISO 9001:2008 Certified Company

www.nordrive.it

www.lampa.it