

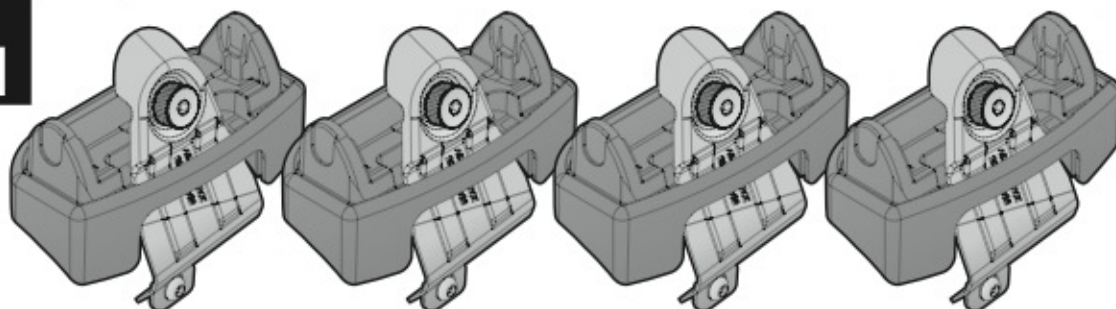
PEUGEOT 206

**PEUGEOT 206
PLUS**

9/98 → 1/13



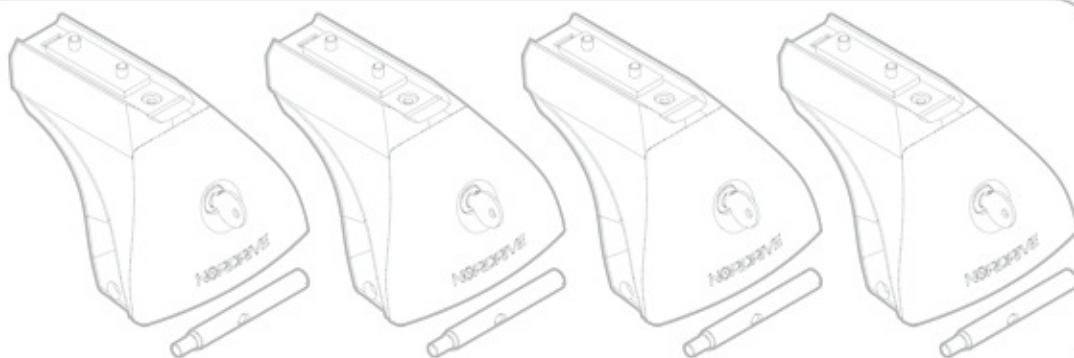
Art.
N21151



C



Art. **N20001**



B

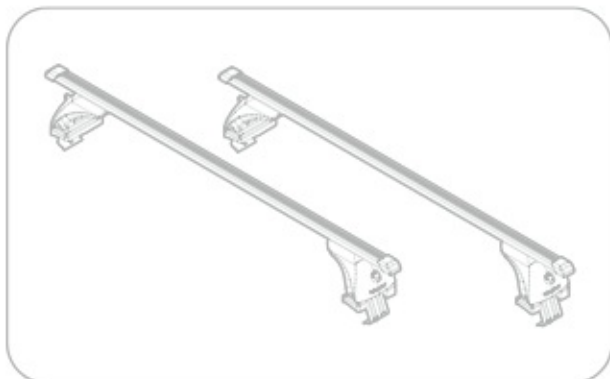


Art. **N15019**



A

ACCIAIO
Steel

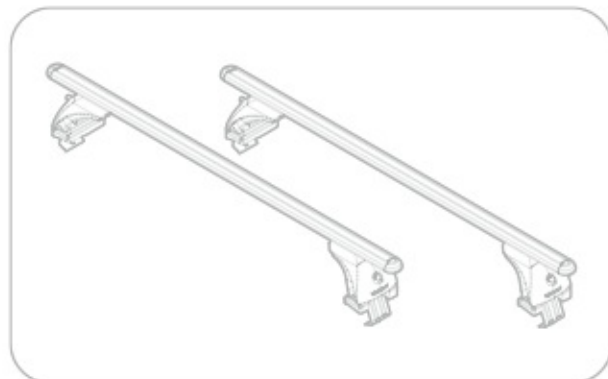


Art. **N15024**





A

ALLUMINIO
Aluminium



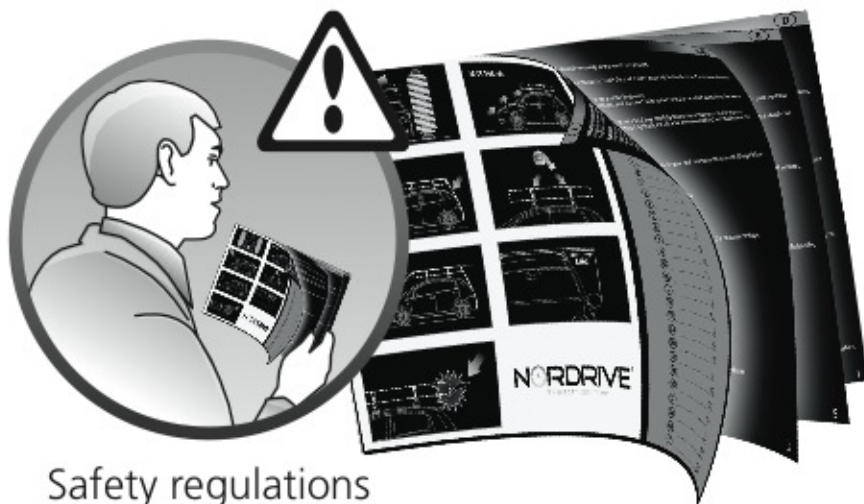
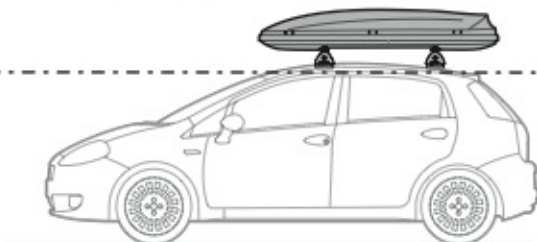


 +  +  = max: **75kg**

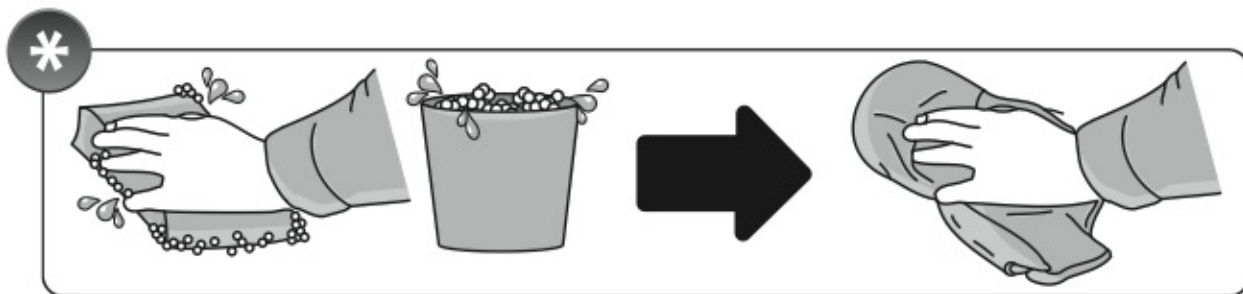
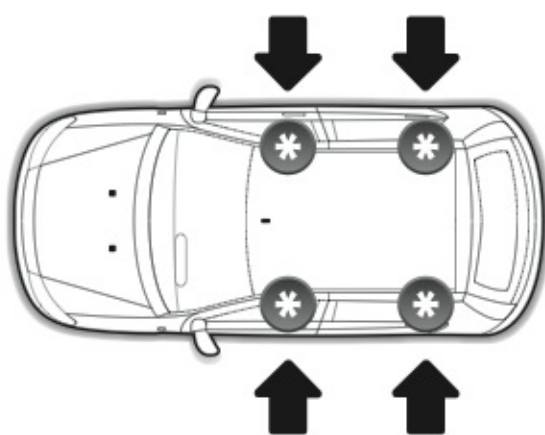
5,5kg



max: **???**kg



Safety regulations



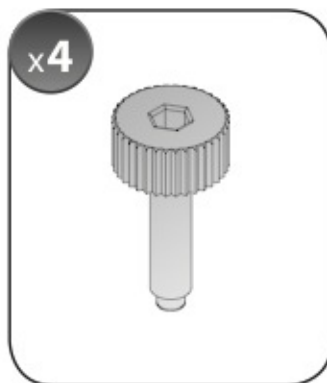
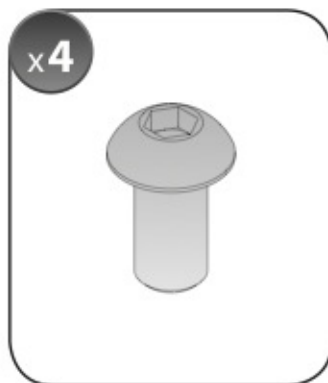
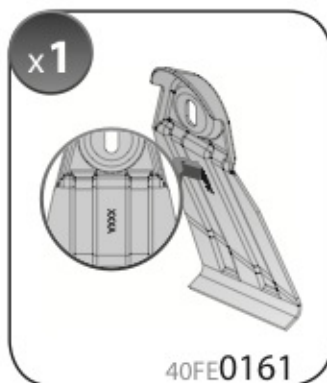
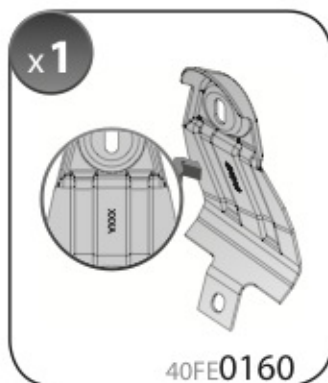
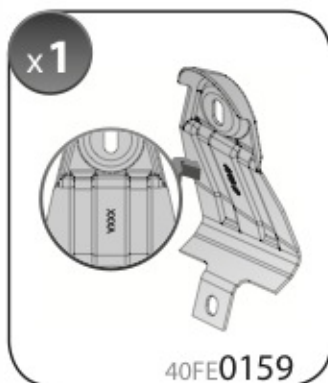
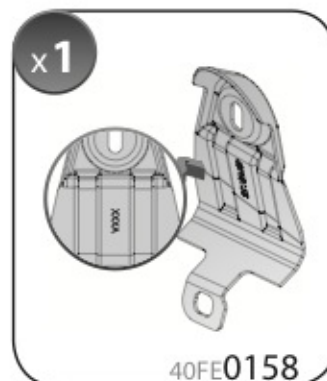
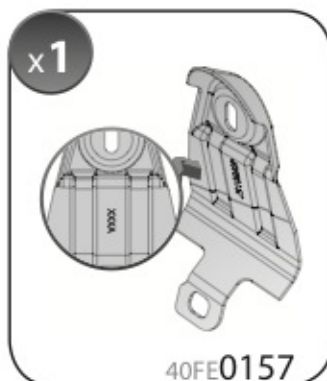
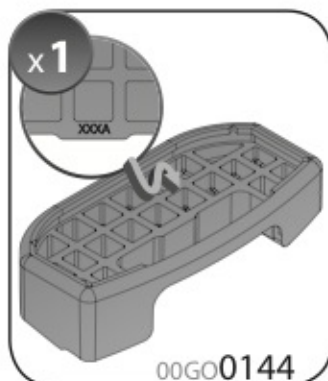
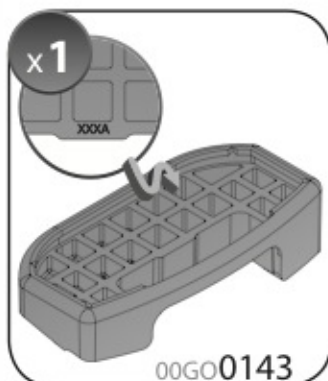
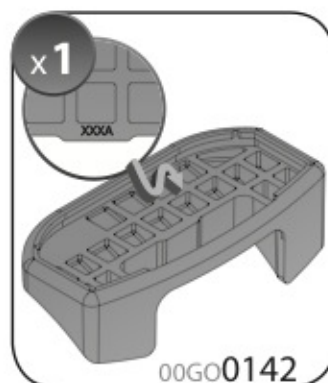
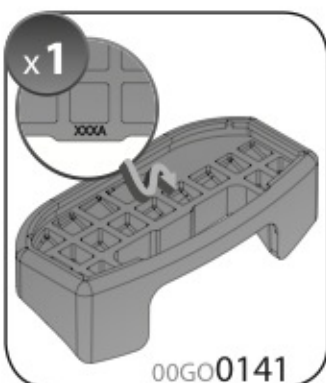
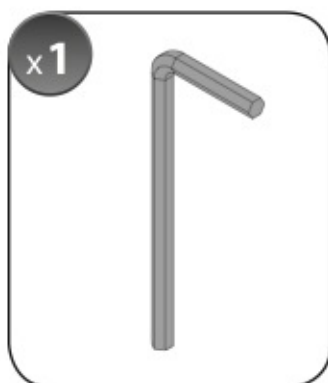


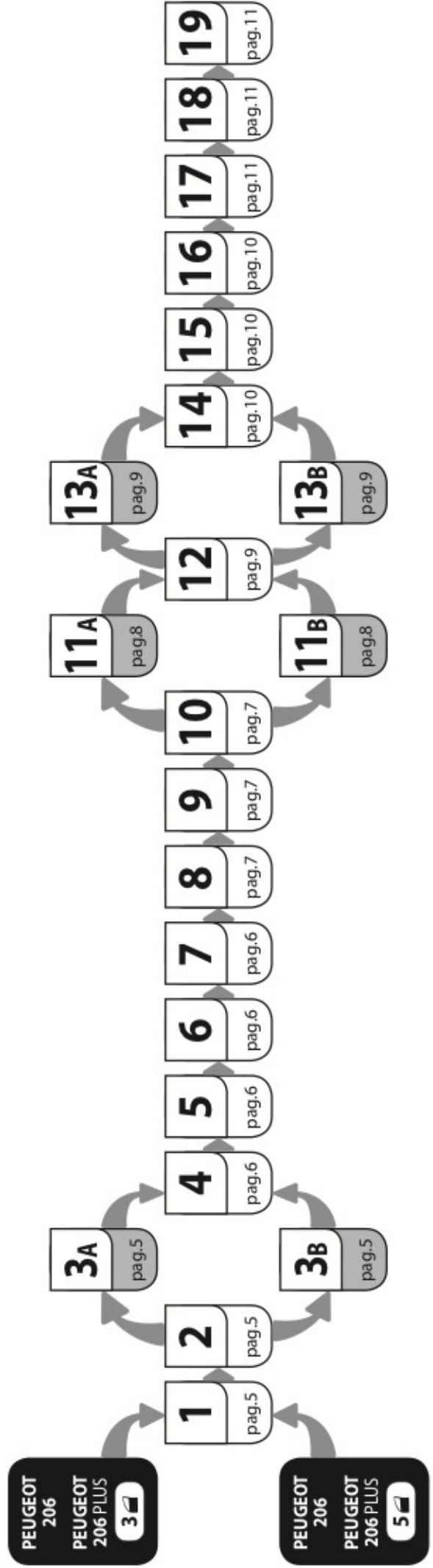
PEUGEOT 206

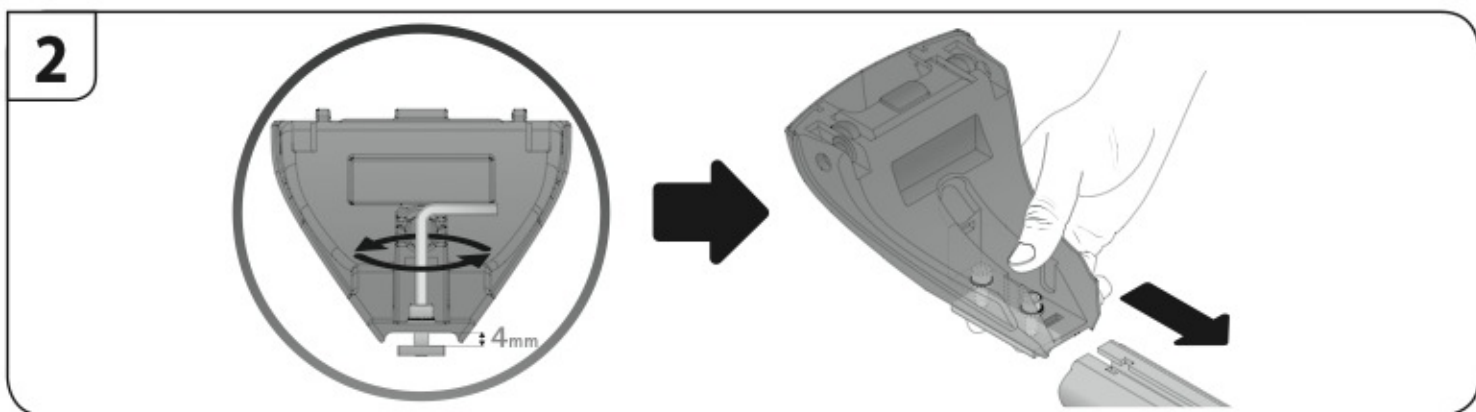
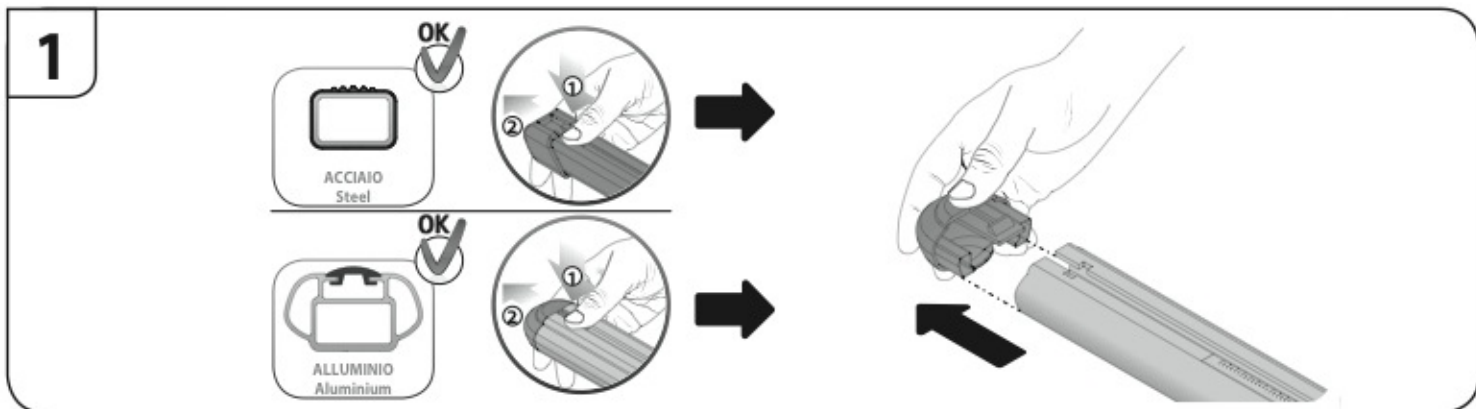
9/98→1/13

PEUGEOT 206
PLUS

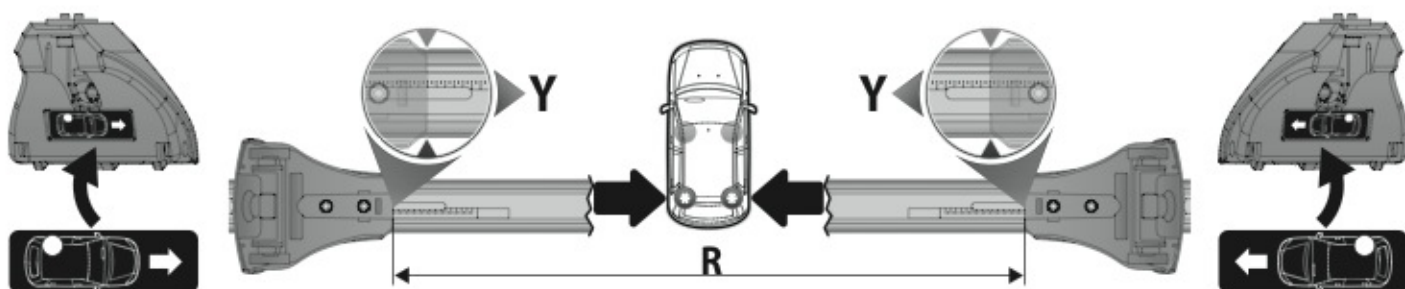
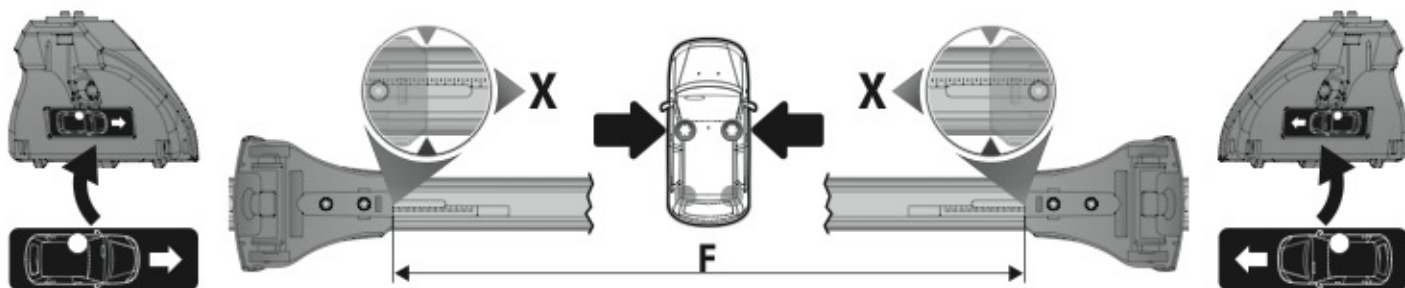
Art. **N21151**



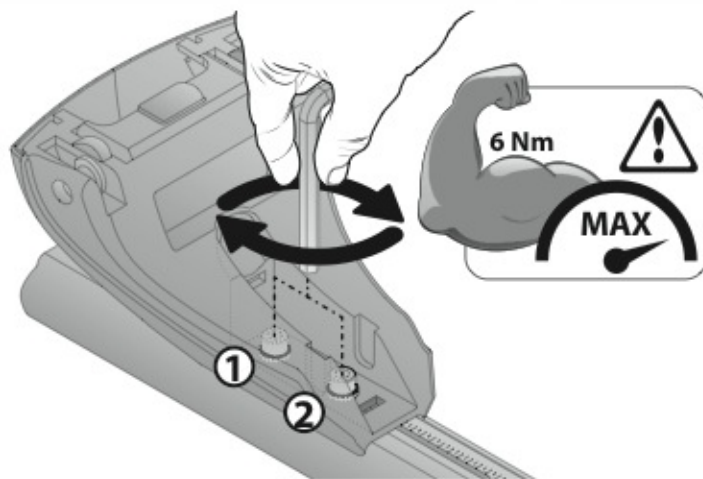




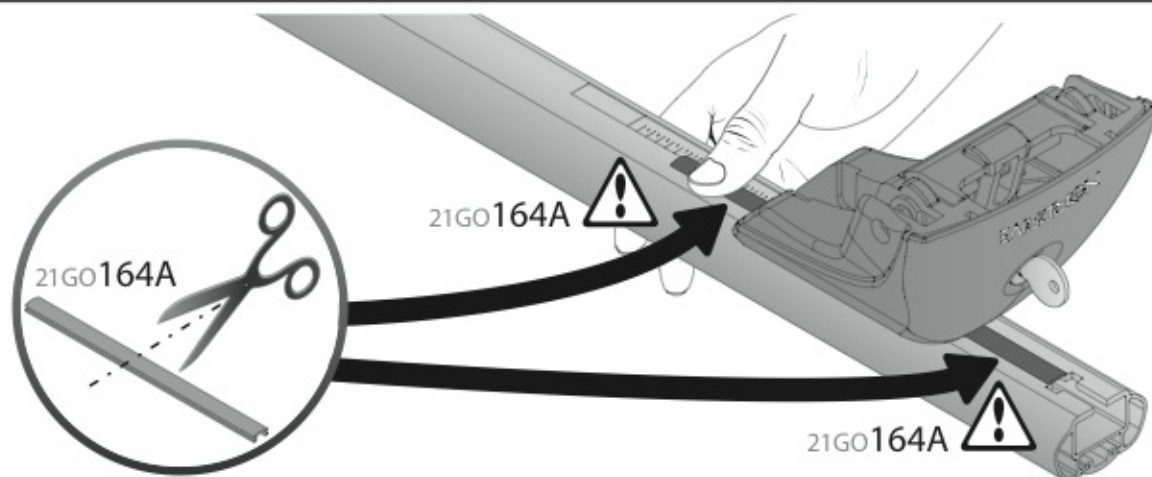
3A	PEUGEOT 206 PEUGEOT 206 PLUS	3	9/98 → 1/13	17 (F = 78cm)	11 (R = 72cm)
3B	PEUGEOT 206 PEUGEOT 206 PLUS	5	9/98 → 1/13	17 (F = 78cm)	12 (R = 73cm)
				X	Y



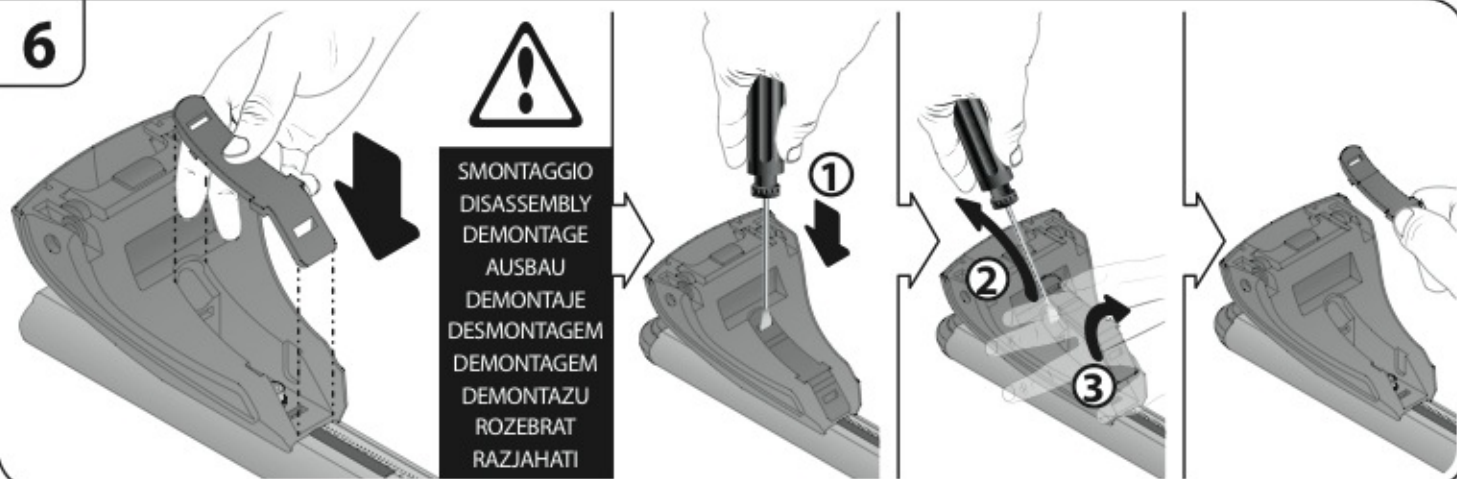
4



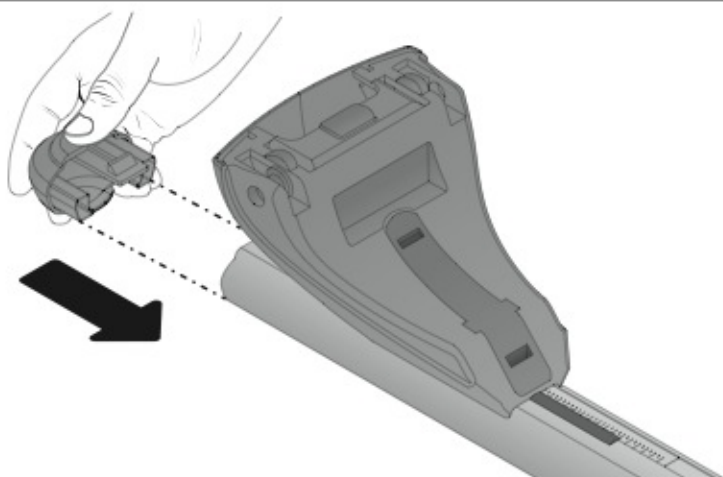
5

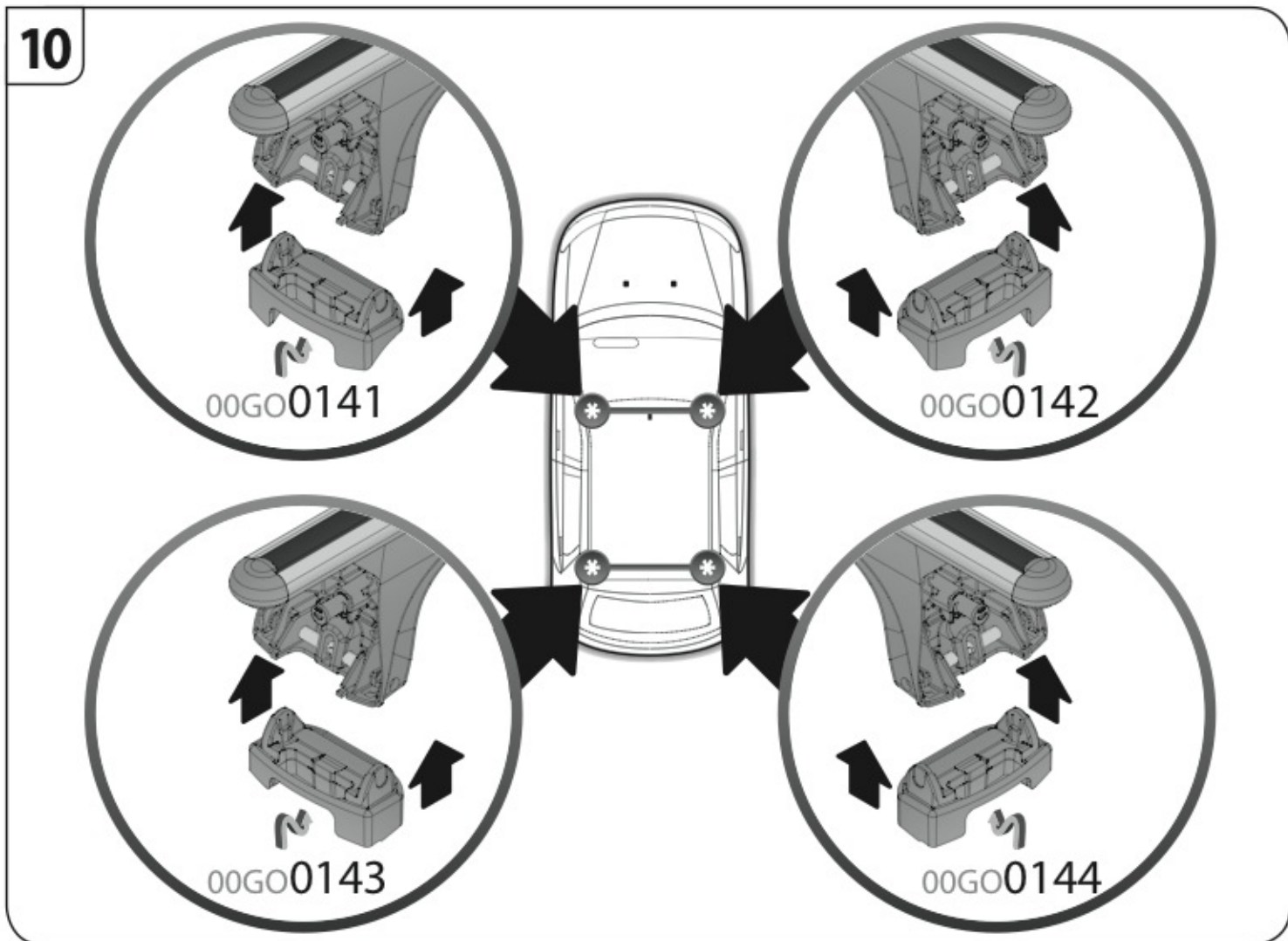
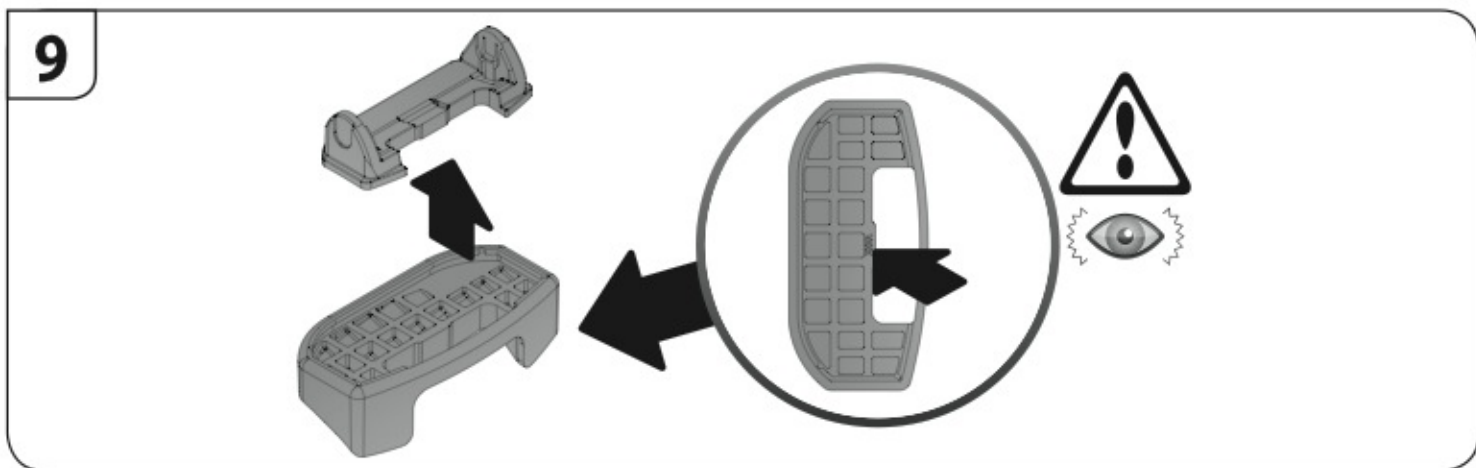
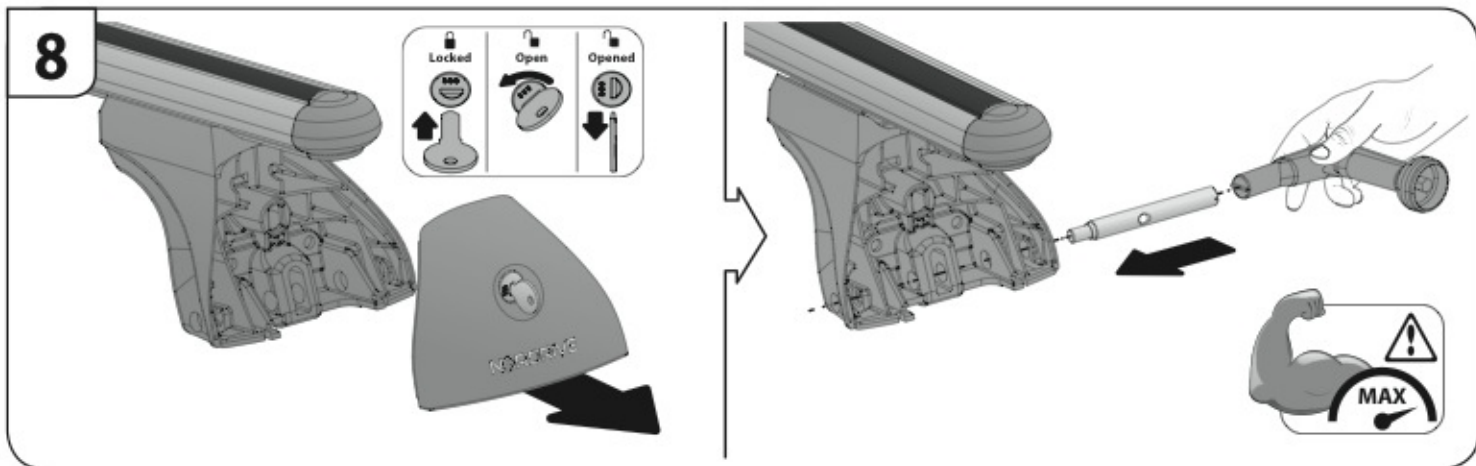


6



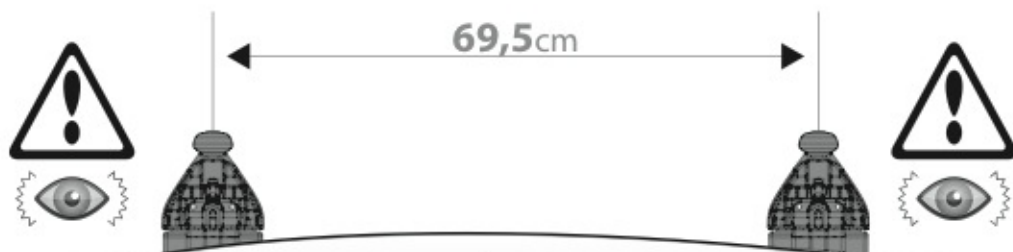
7





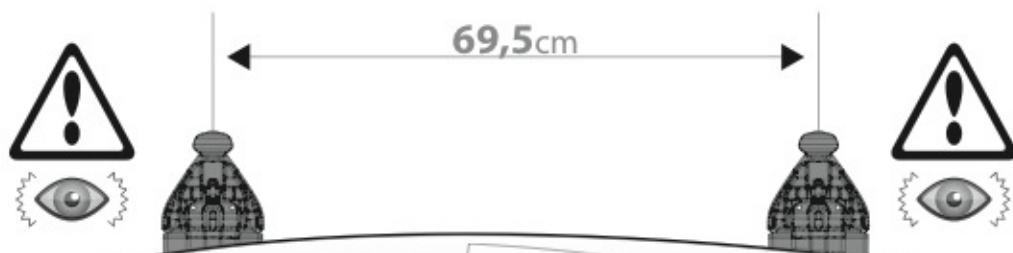
11A

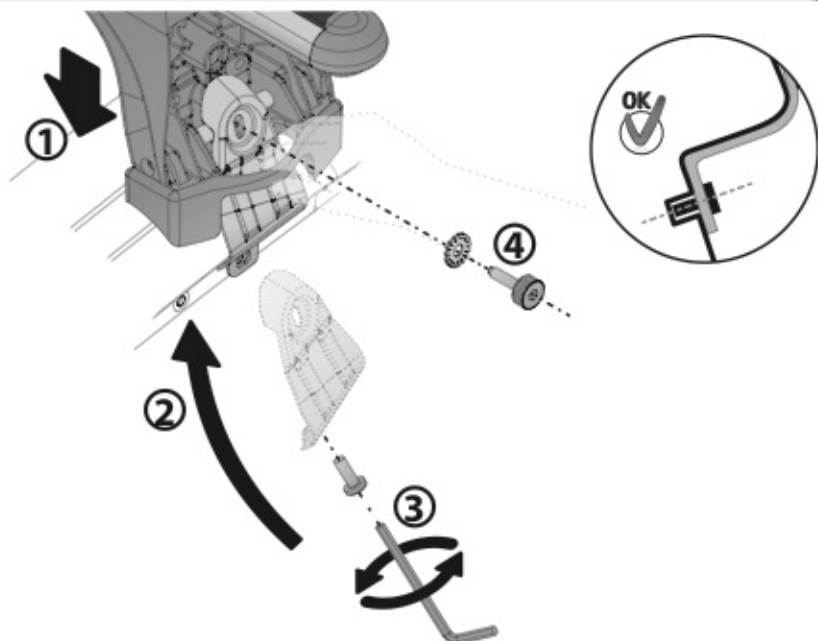
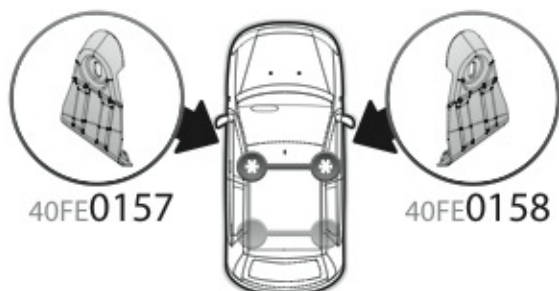
PEUGEOT
206 PLUS
3



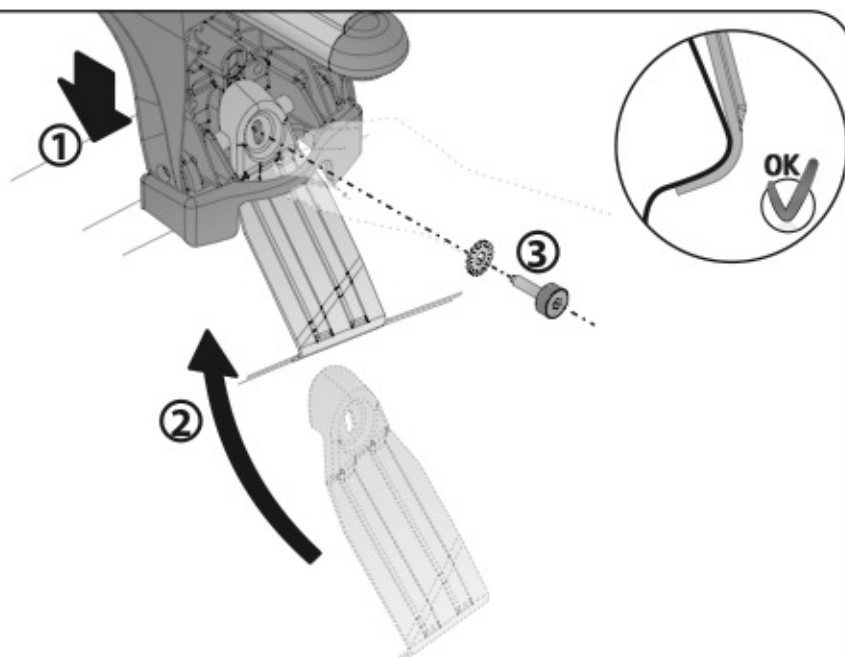
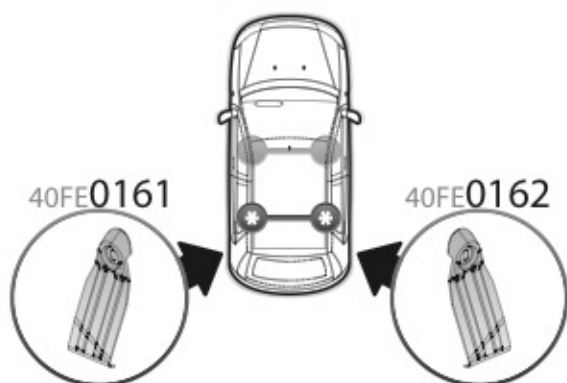
11B

PEUGEOT
206 PLUS
5

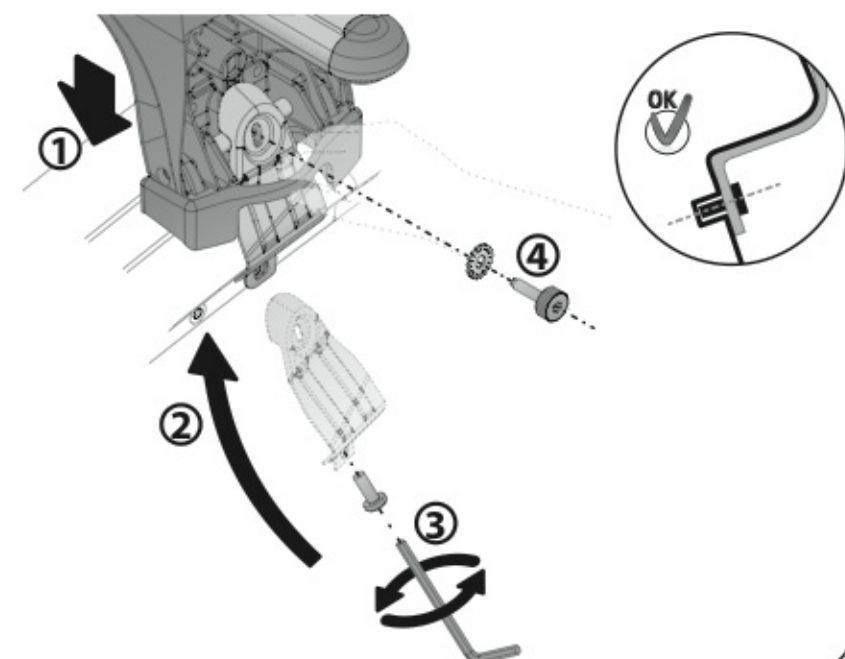
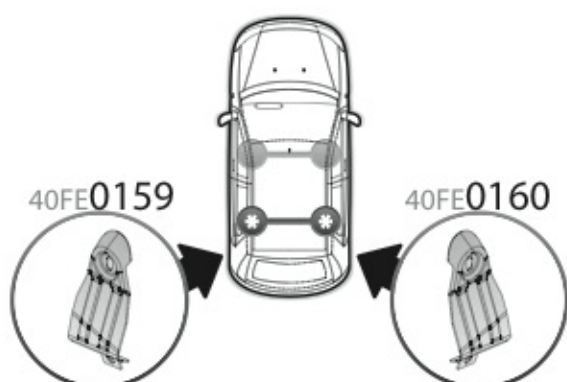


12**13A**

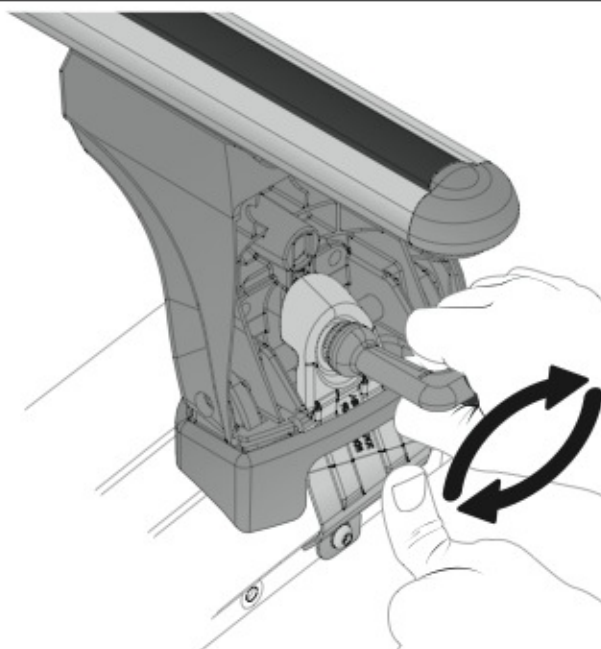
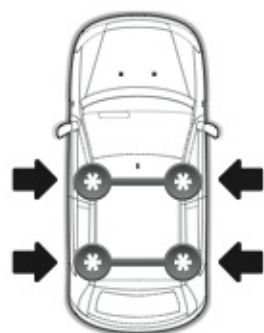
PEUGEOT
206 PLUS
3

**13B**

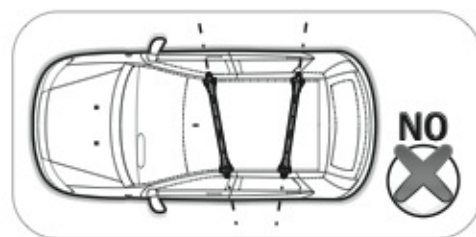
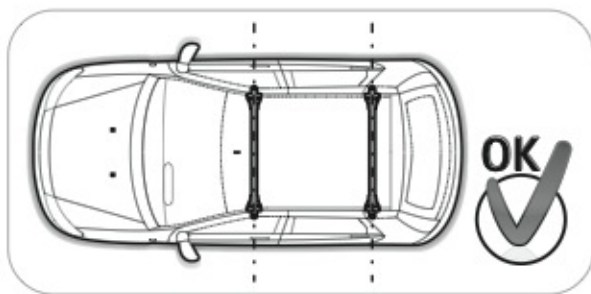
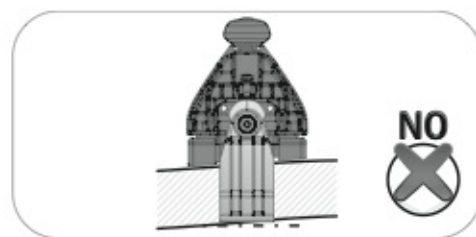
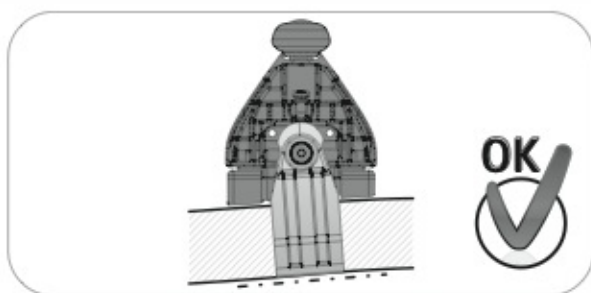
PEUGEOT
206 PLUS
5



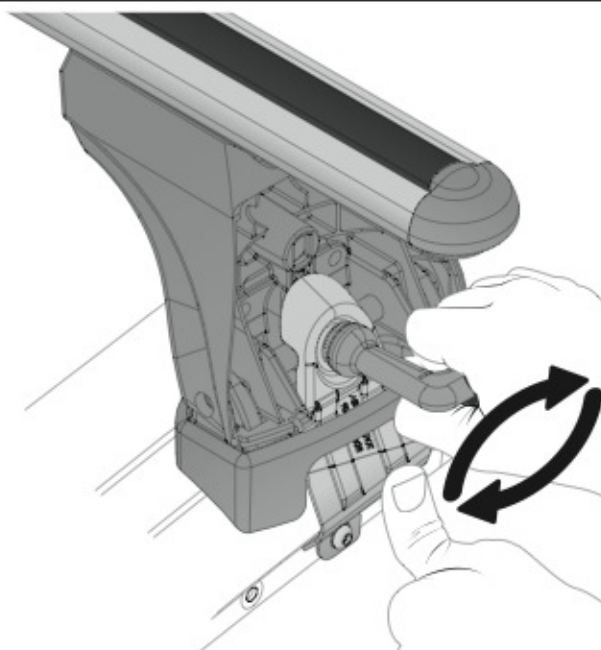
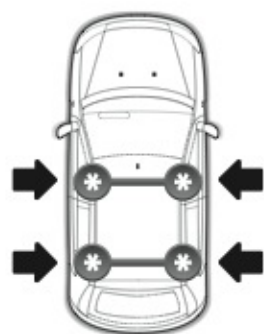
14



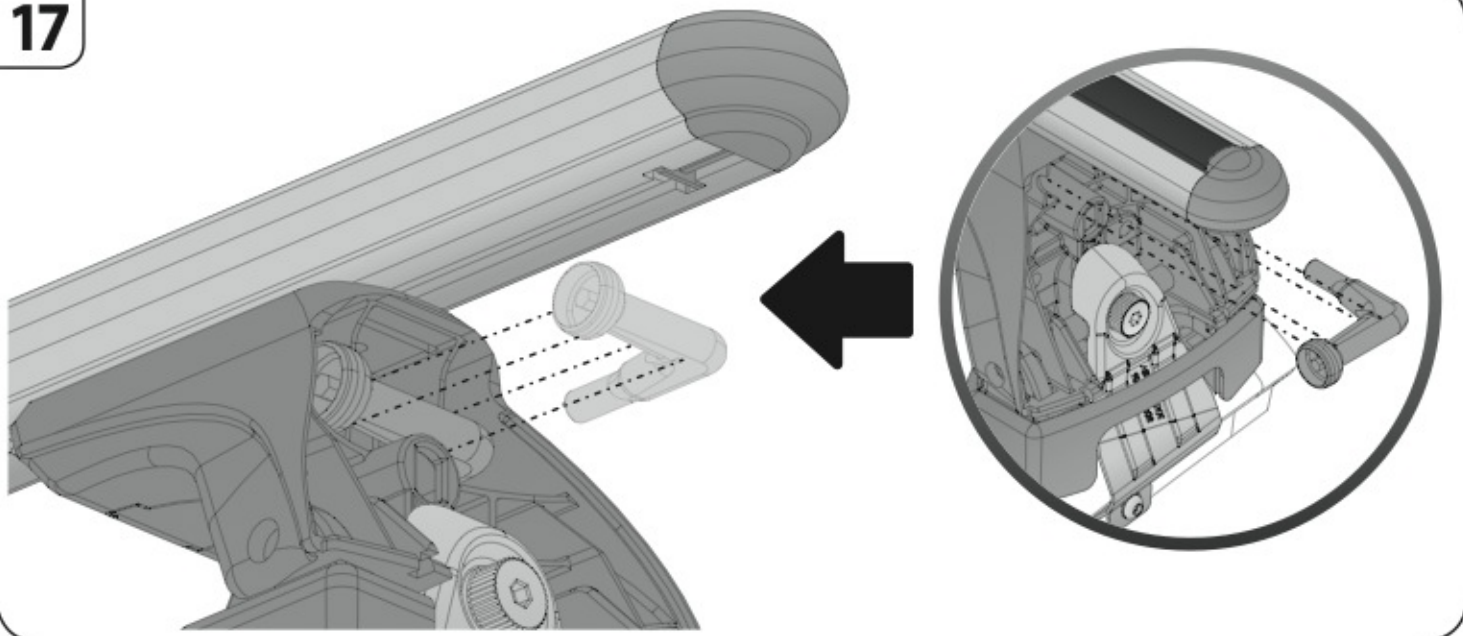
15



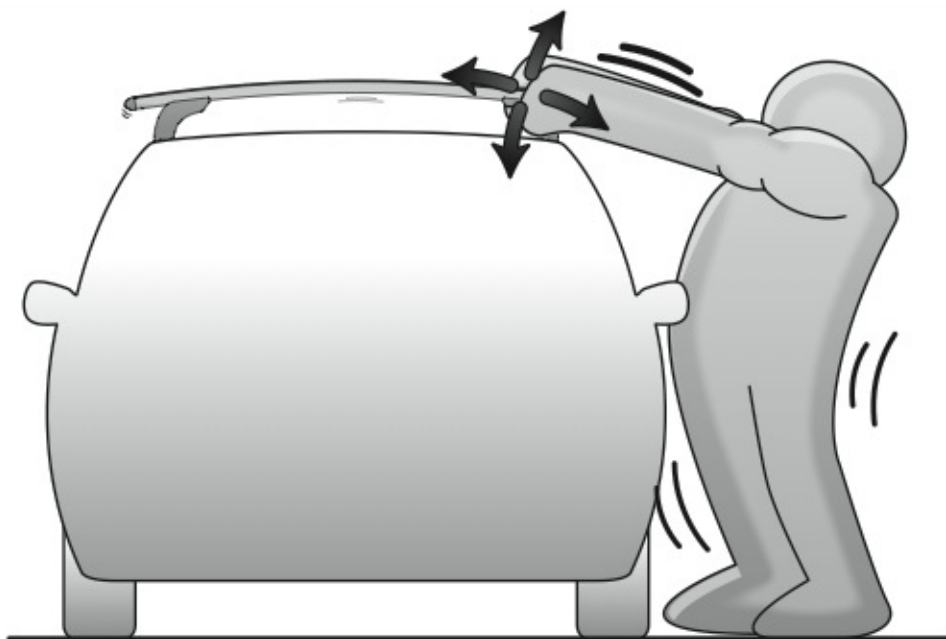
16



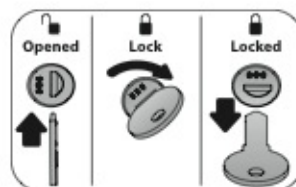
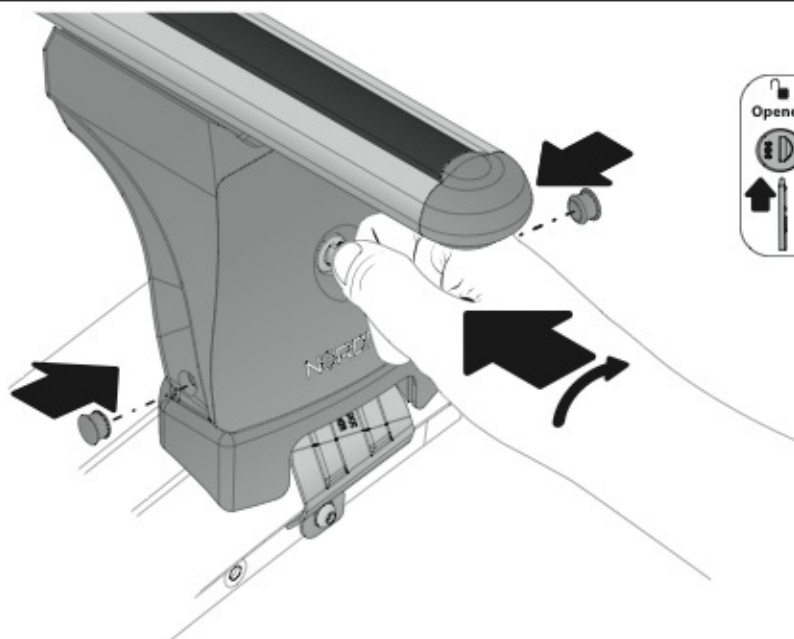
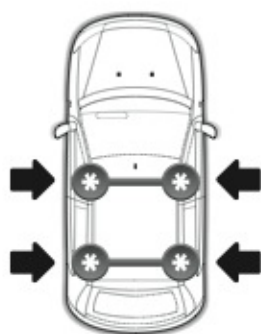
17



18



19



EVOS

EVOLUZIONE ZERO SYSTEM

NORDRIVE[®]
TRANSPORT SOLUTIONS

is a registered trade mark of

LAMPA S.p.A.

46019 Viadana (MN) ITALY

Ditta certificata UNI EN ISO 9001:2008

www.nordrive.it

www.lampa.it