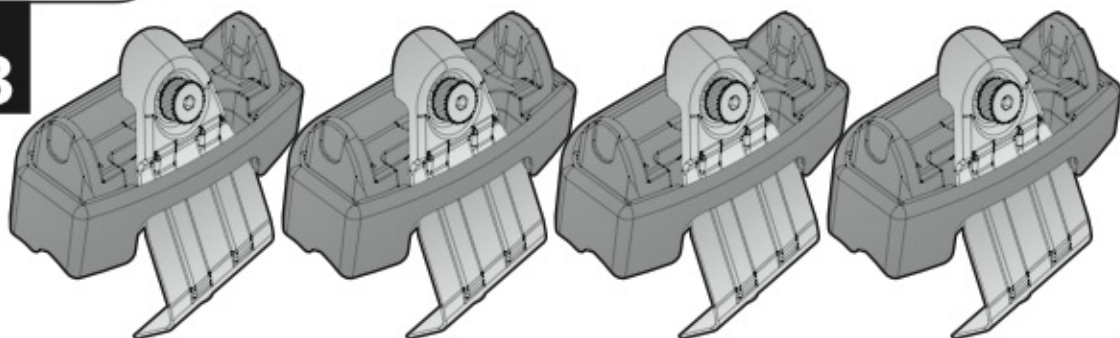


SEAT
IBIZA



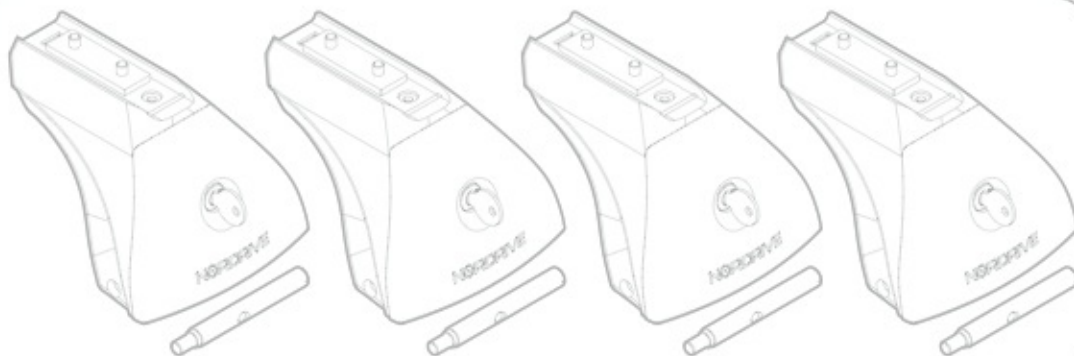
Art.
N21143



C



Art. **N20001**



B

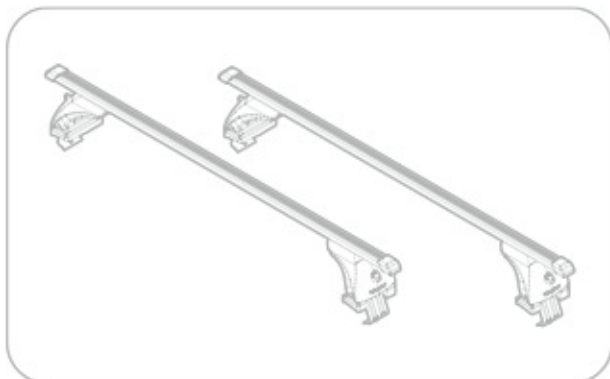


Art. **N15020**



A

ACCIAIO
Steel



Art. **N15025**


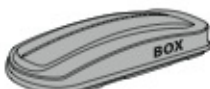



A

ALLUMINIO
Aluminium

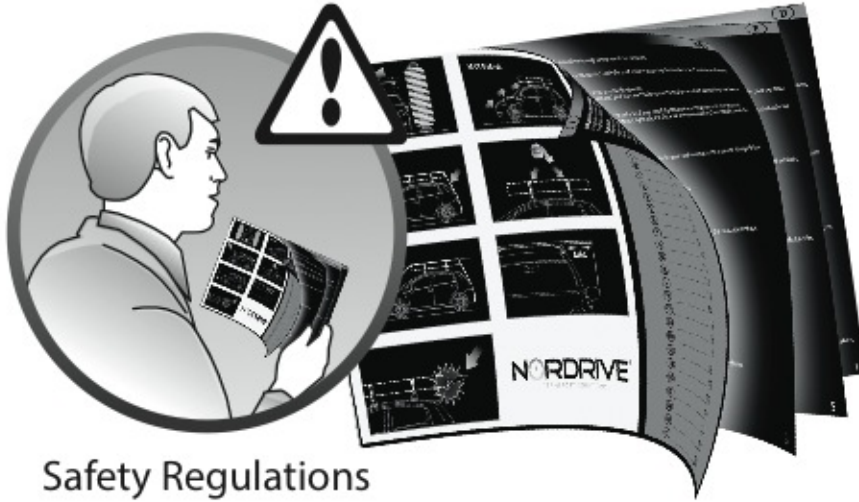
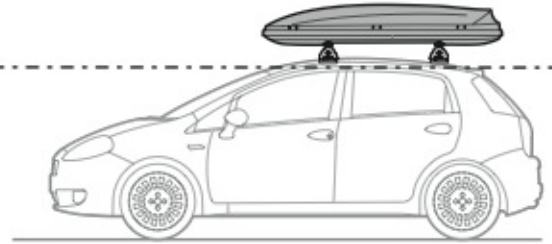




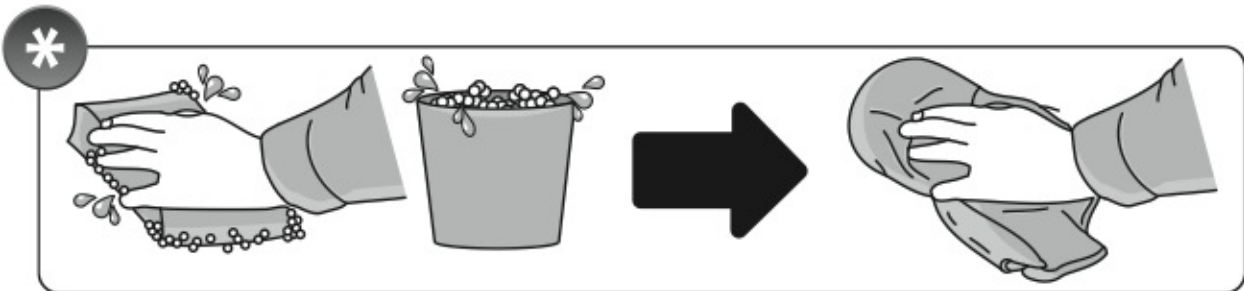
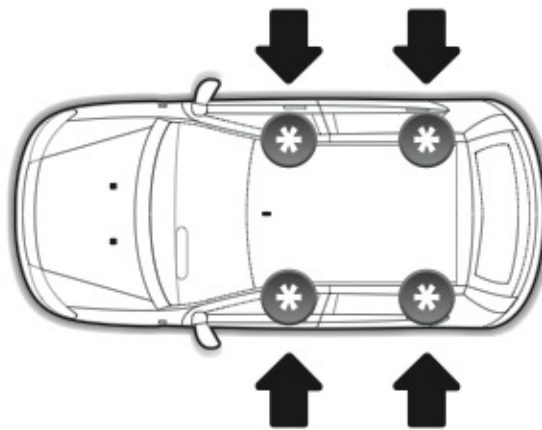
 +  +  = max: **75kg**
5,5kg



max: **???**kg



Safety Regulations





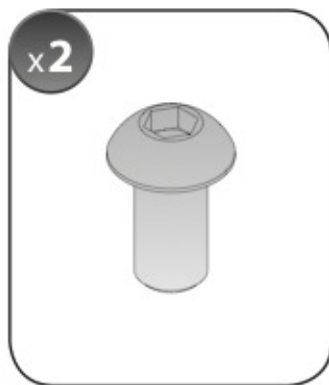
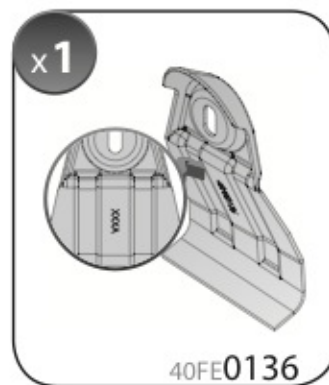
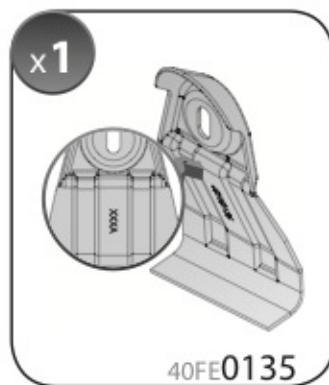
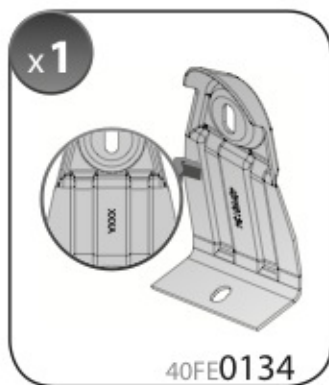
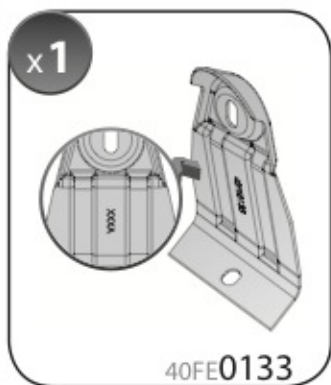
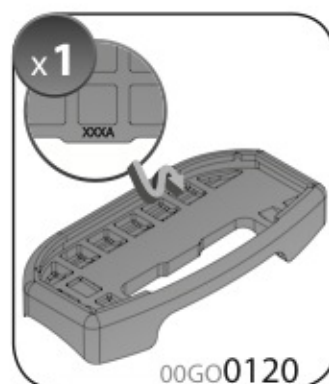
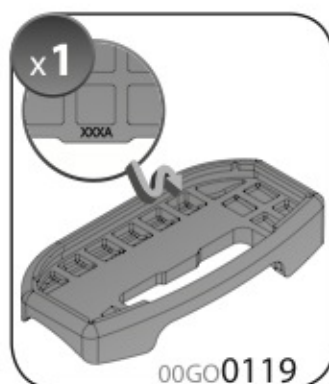
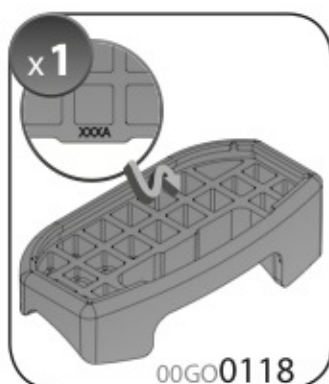
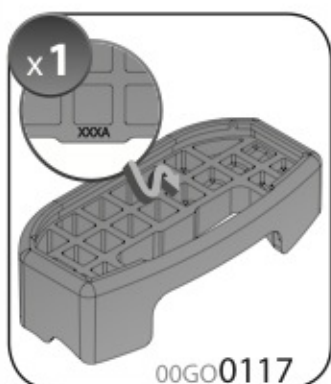
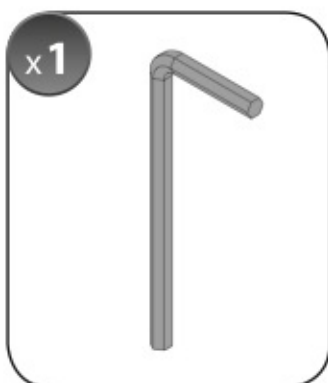
SEAT IBIZA

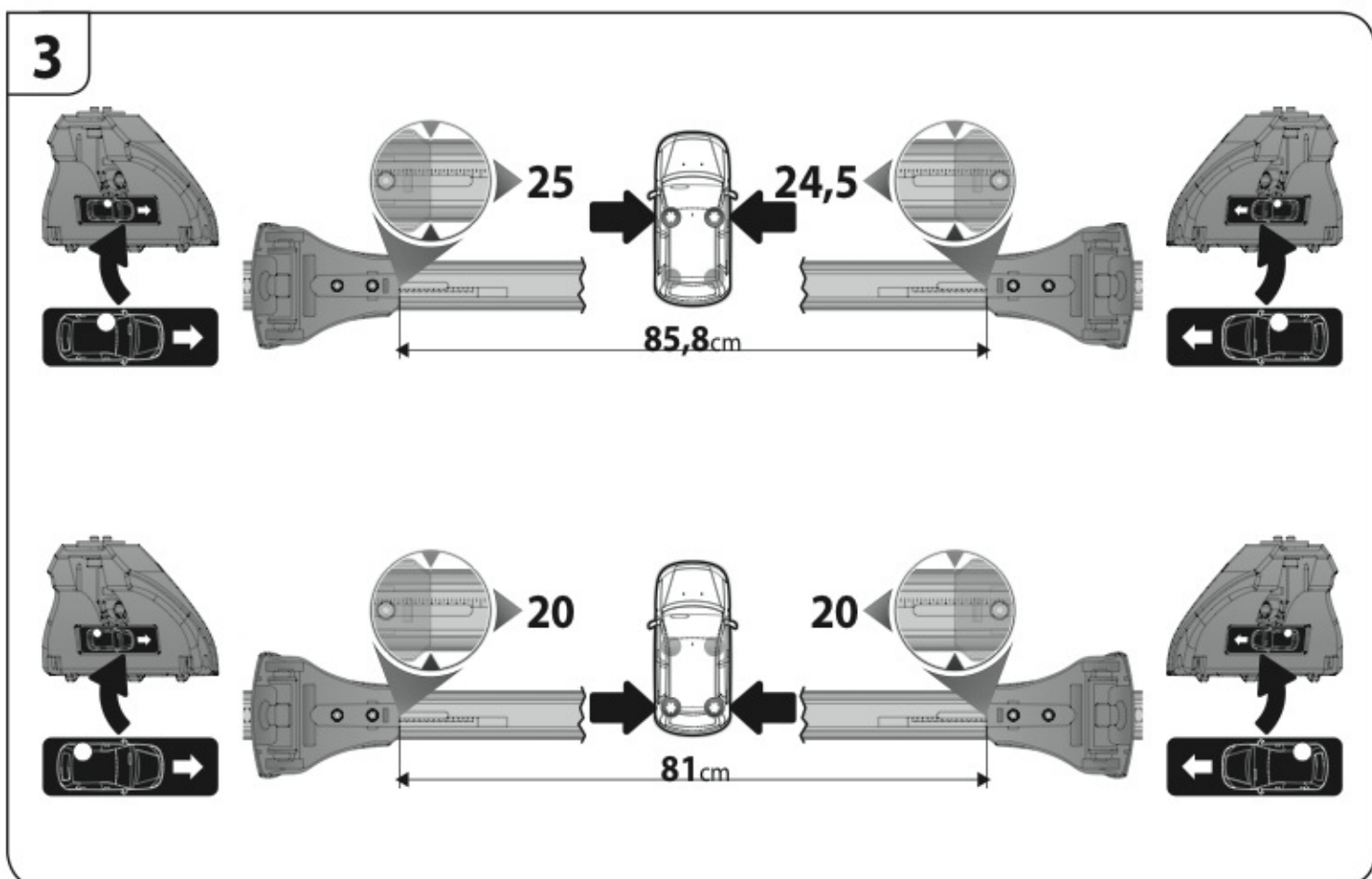
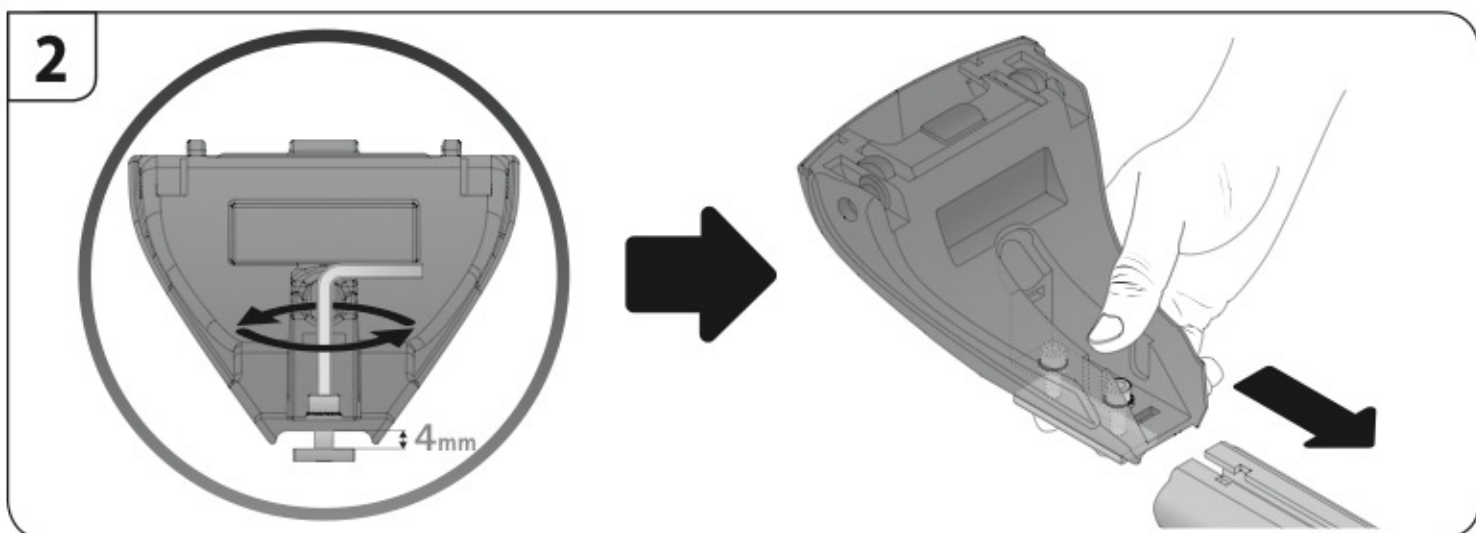
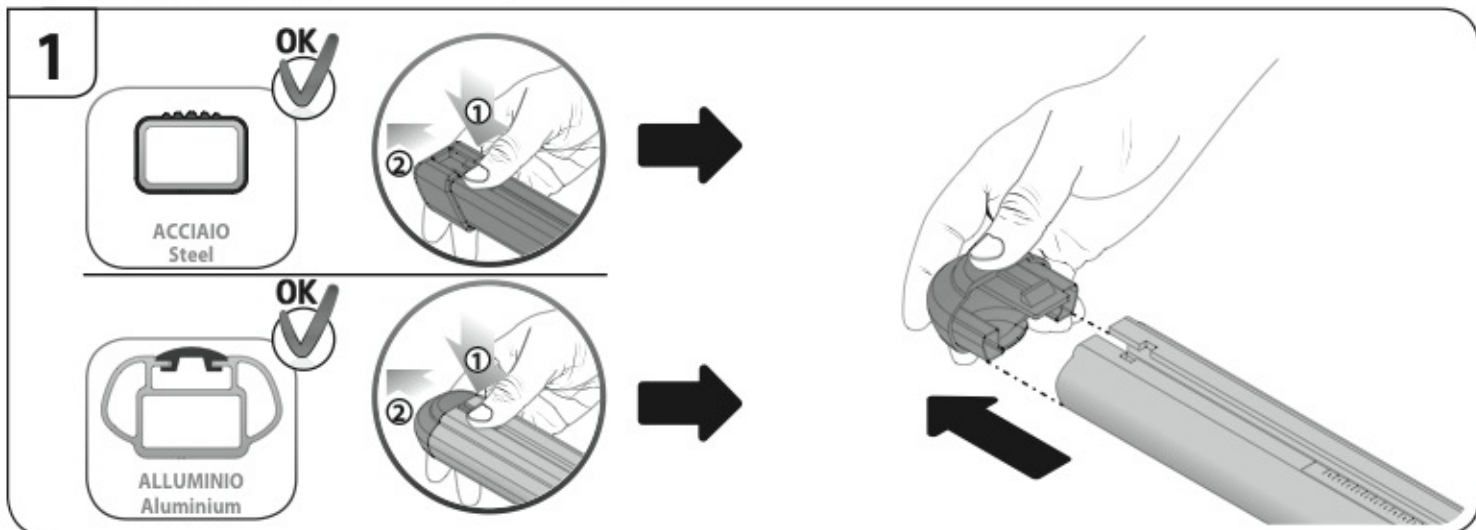
5



6/08 →

Art. **N21143**





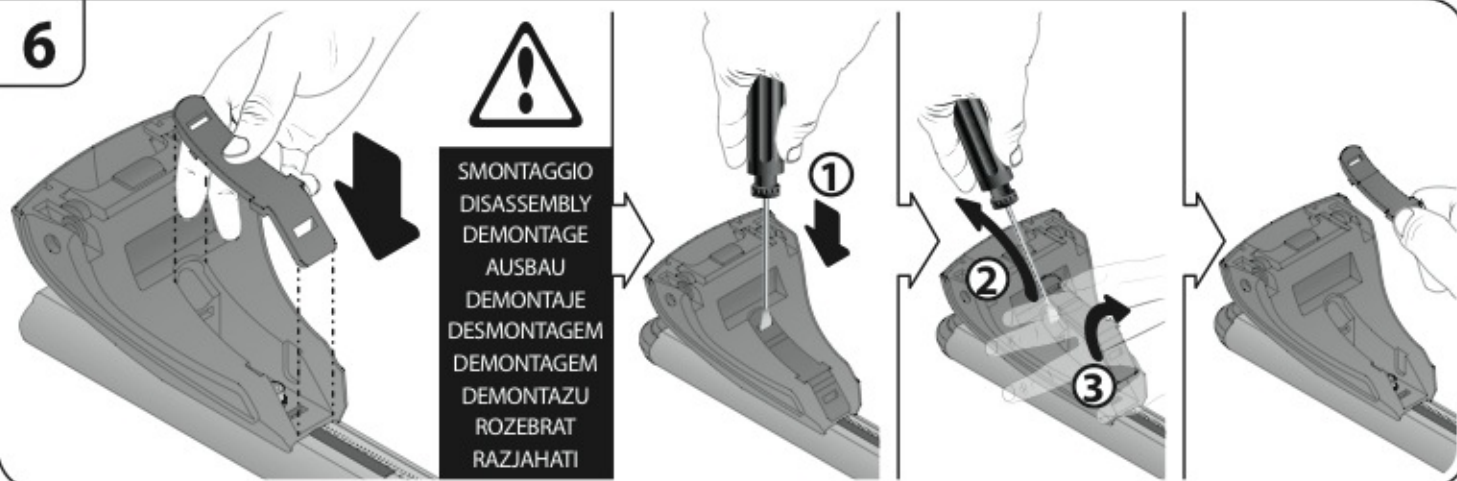
4



5



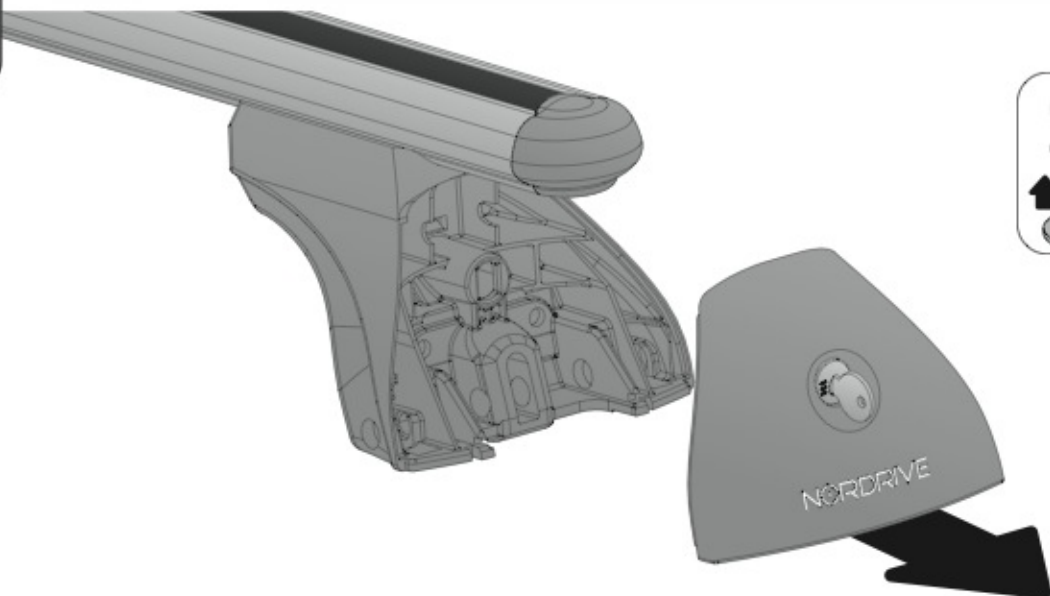
6



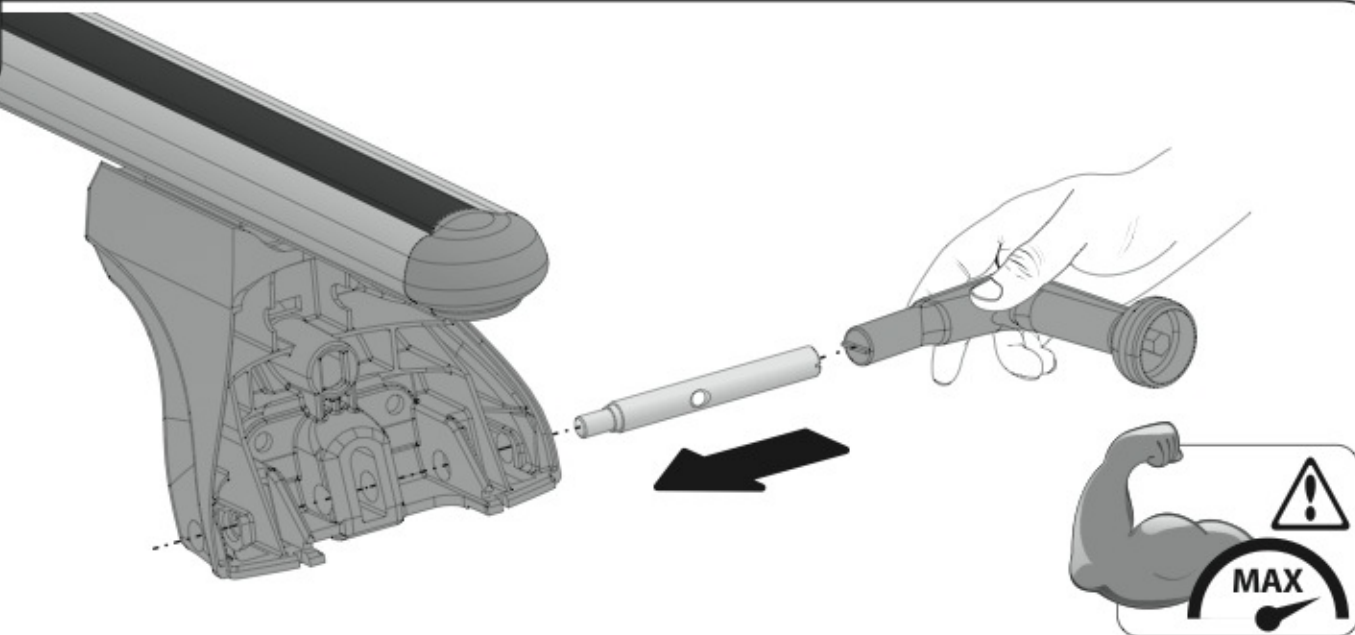
7



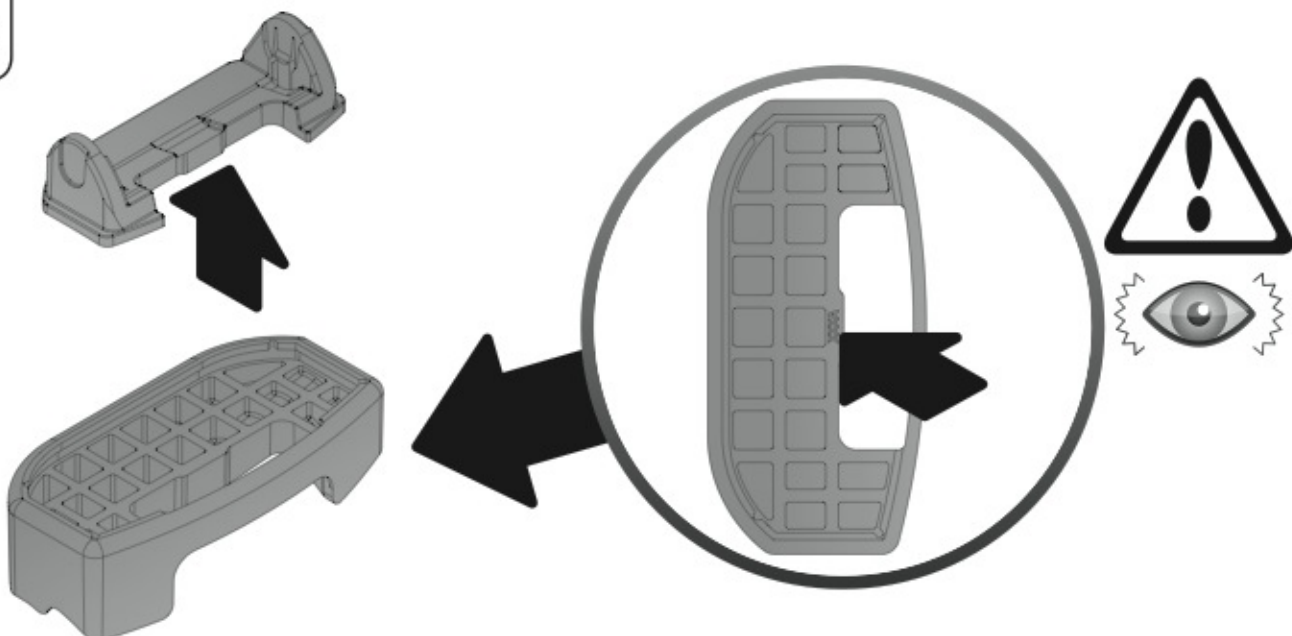
8



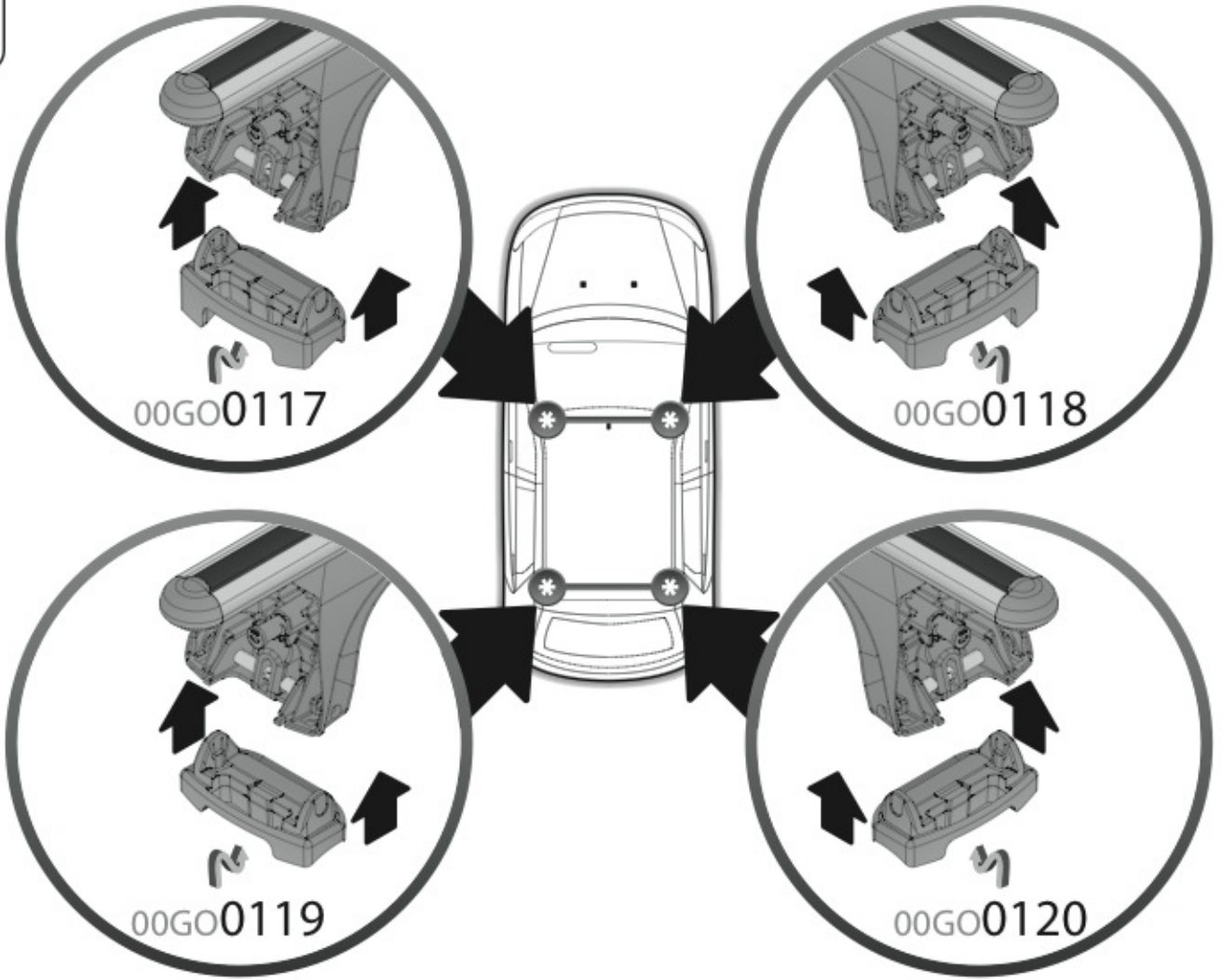
9



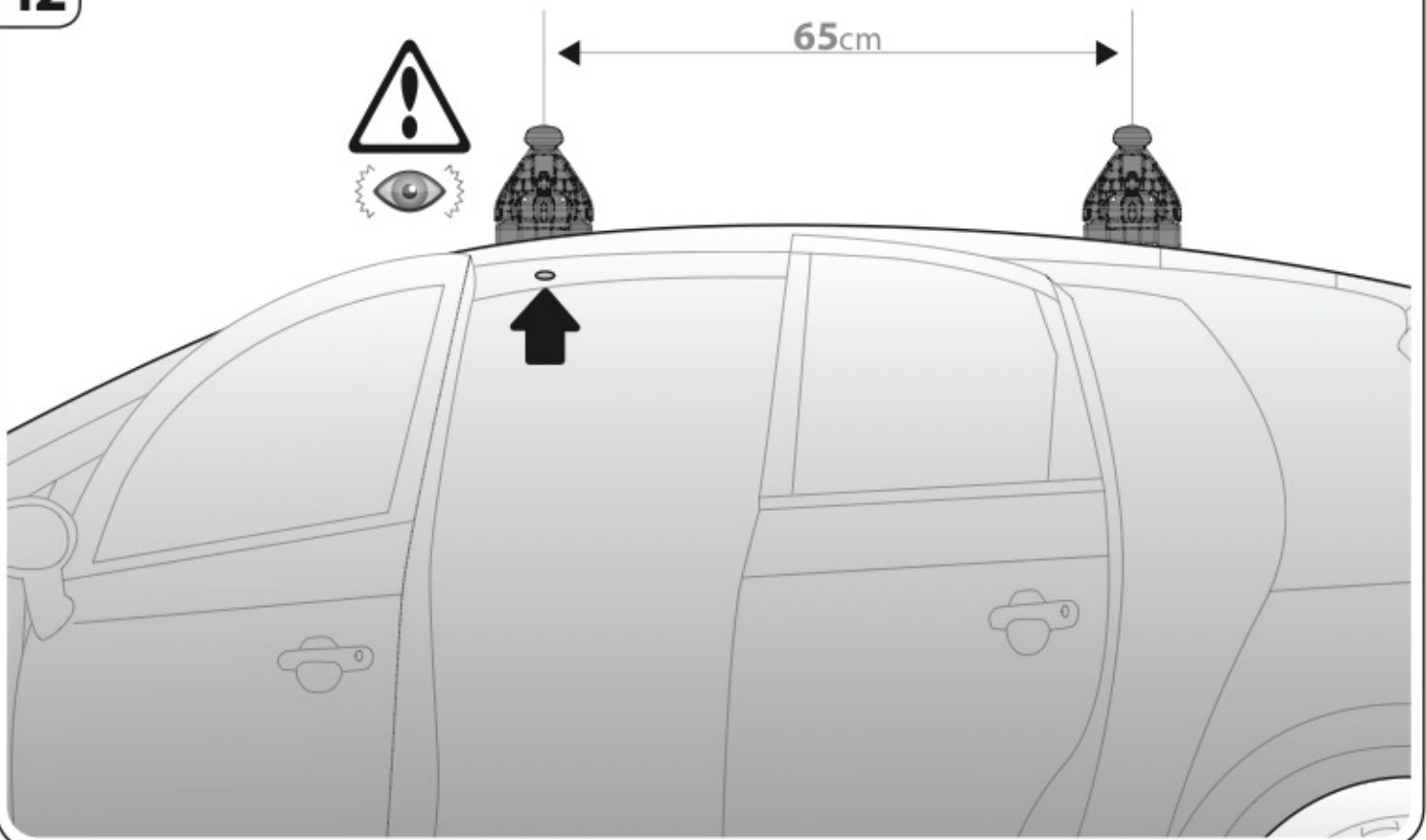
10



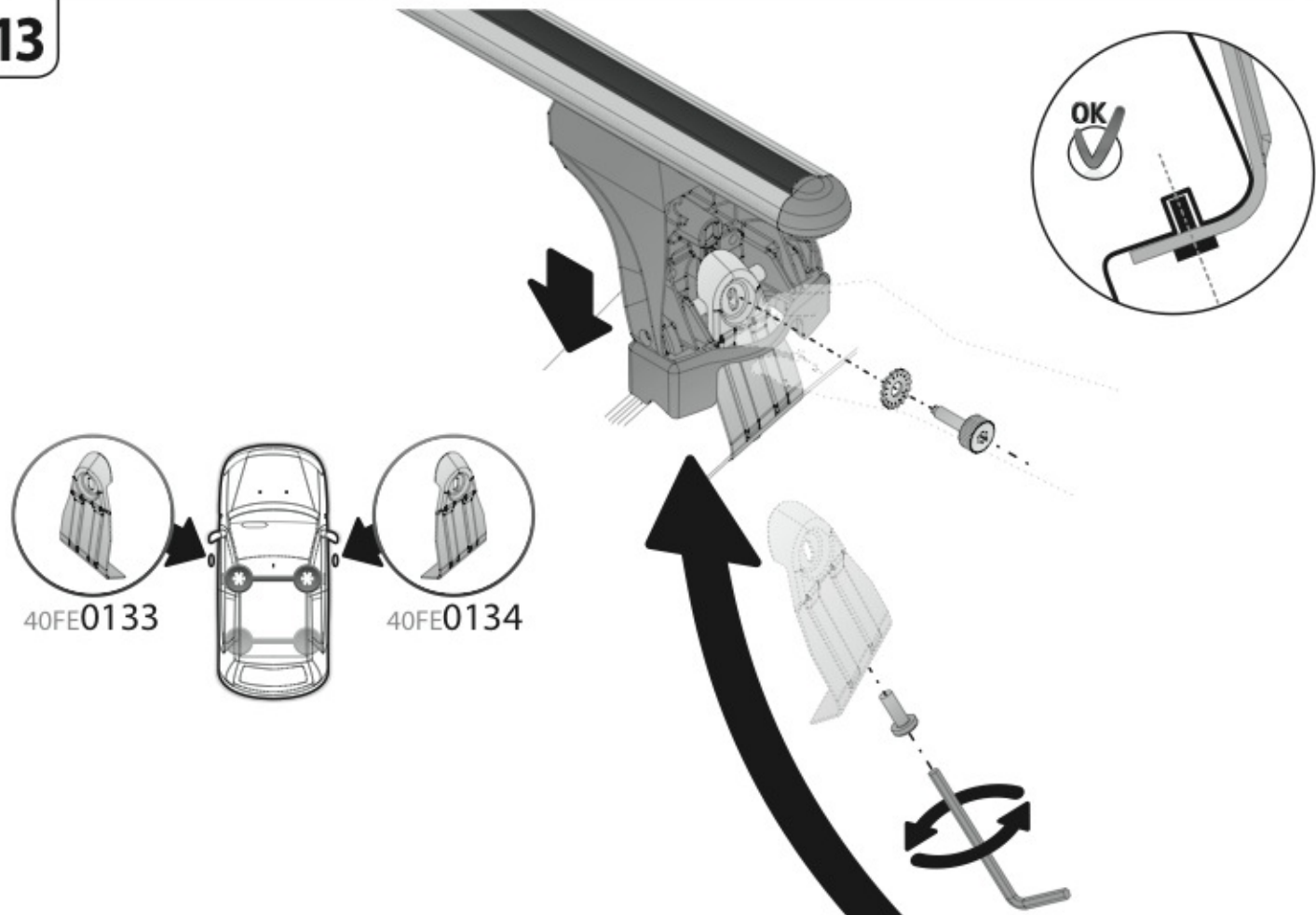
11



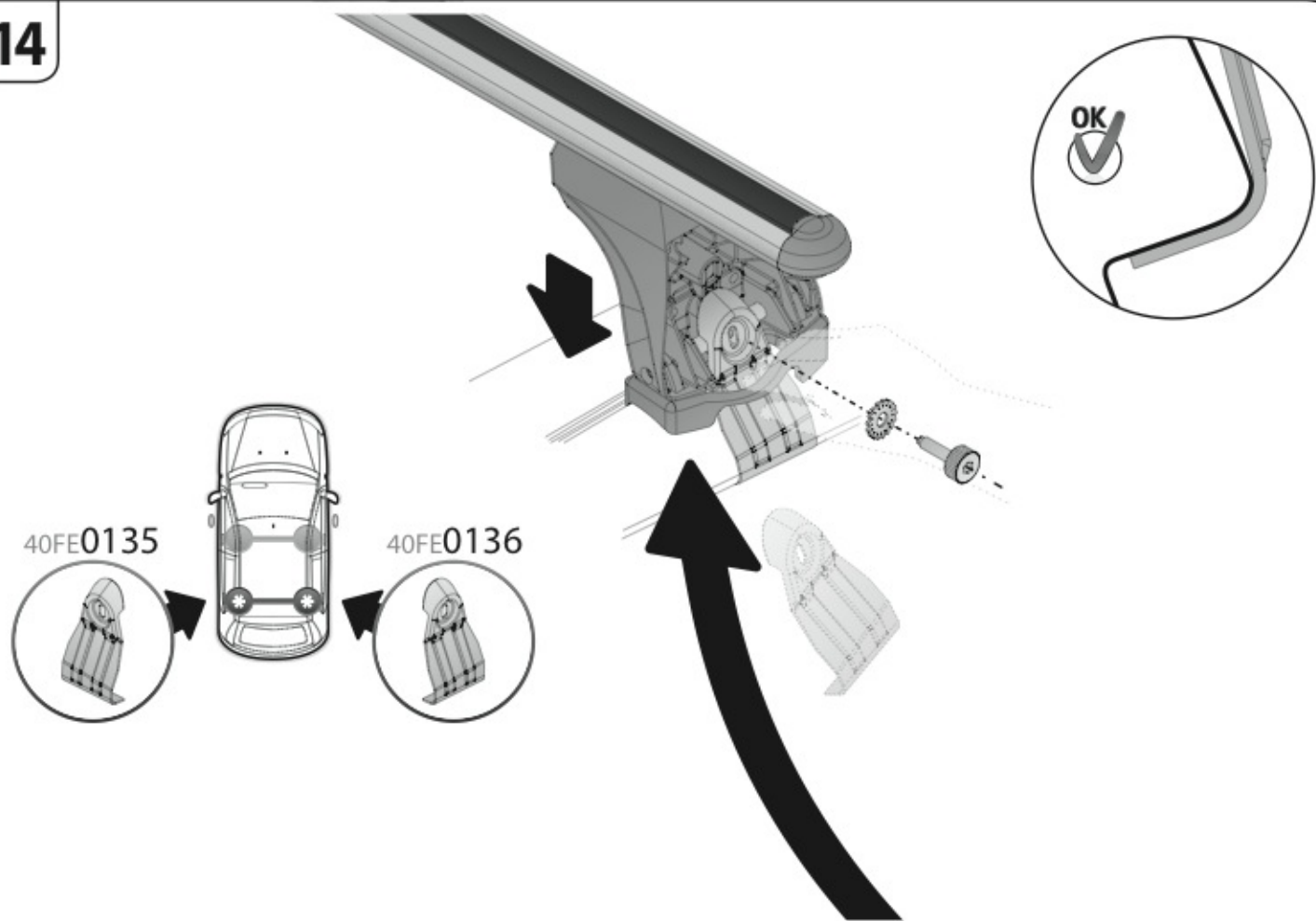
12



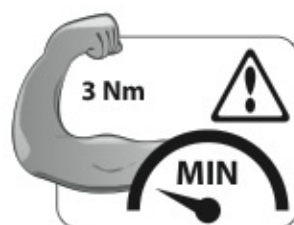
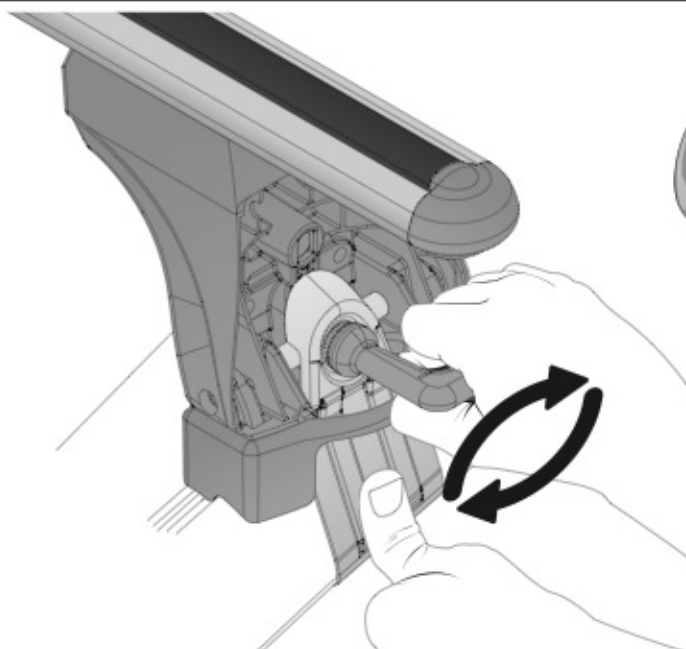
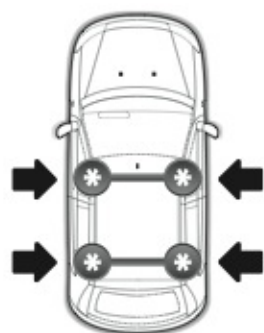
13



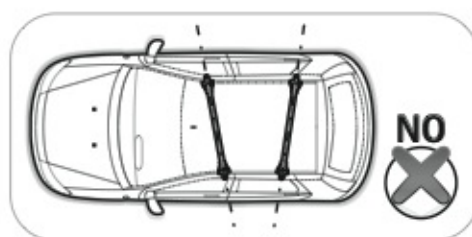
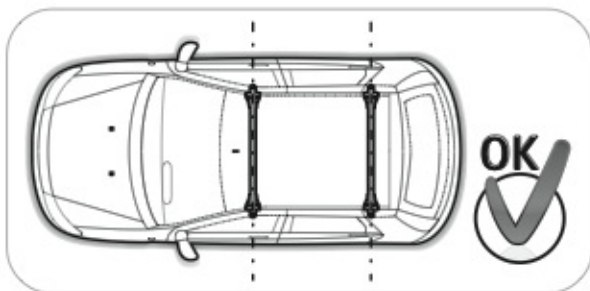
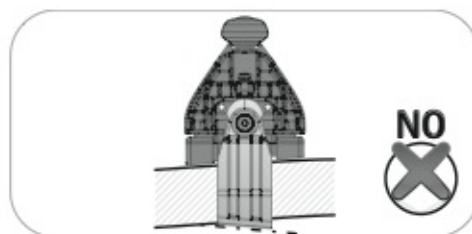
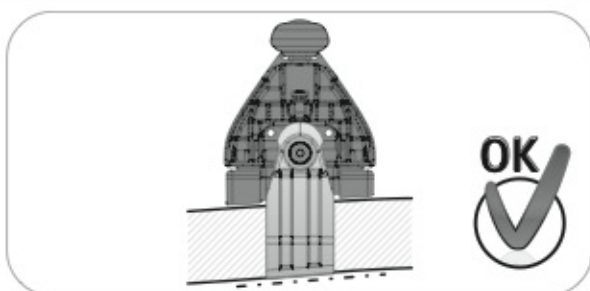
14



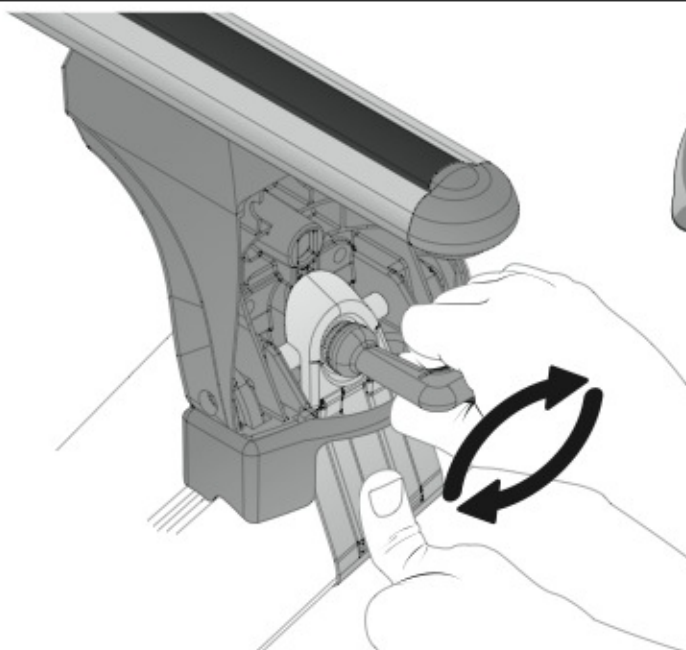
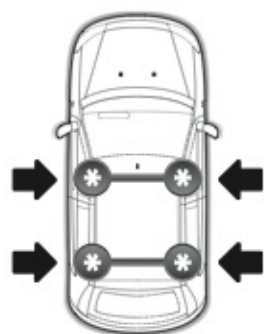
15



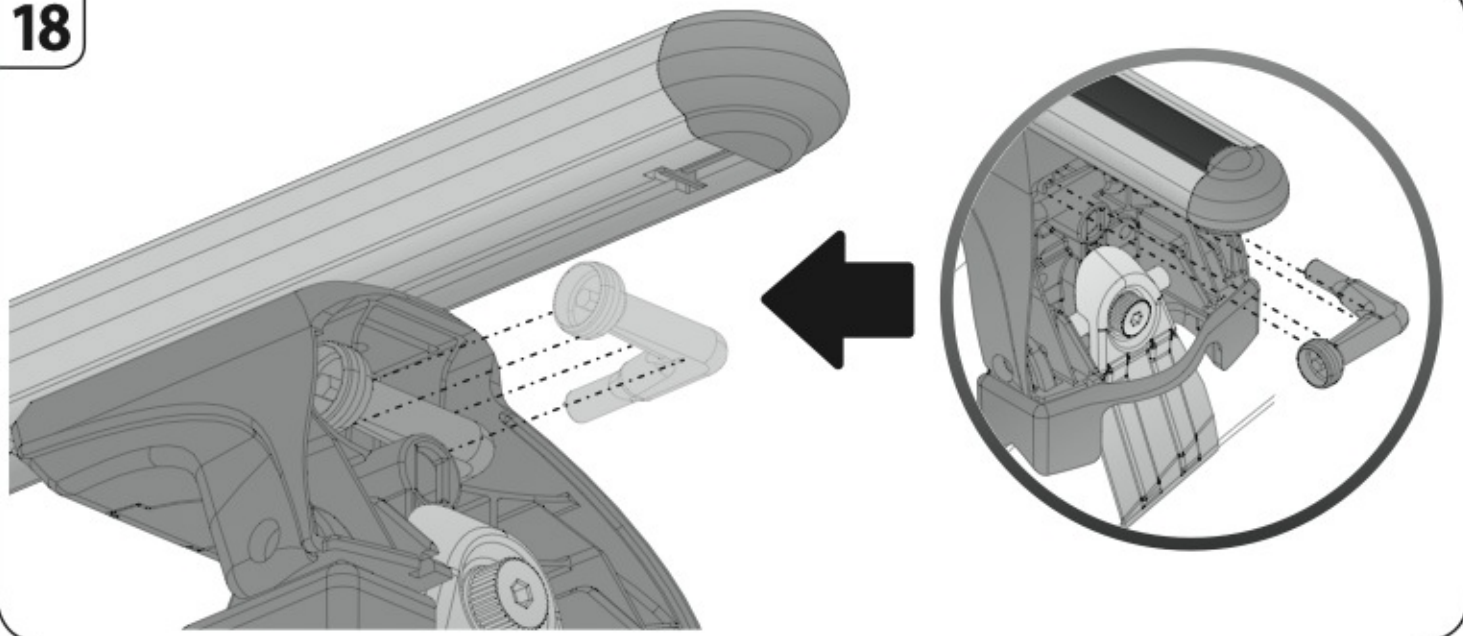
16



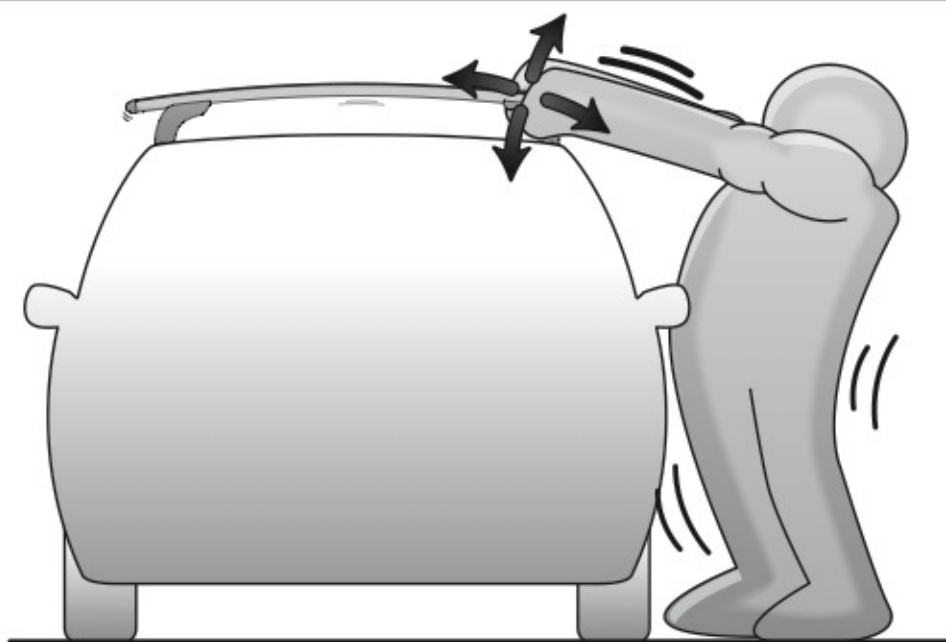
17



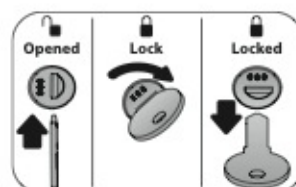
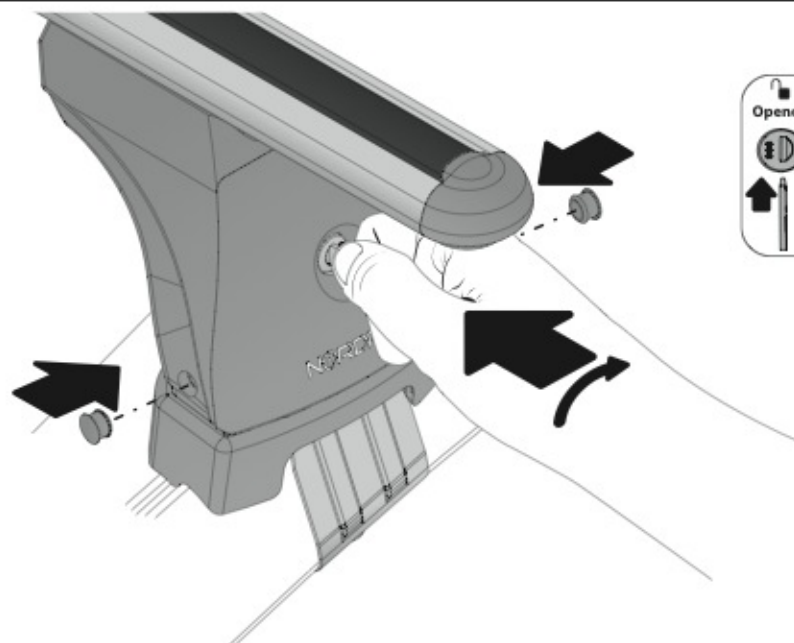
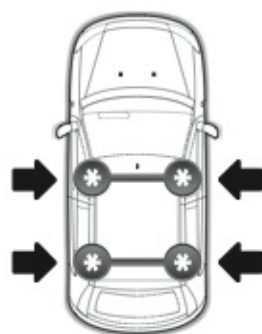
18



19



20



EVOS

EVOLUZIONE ZERO SYSTEM

NORDRIVE®
TRANSPORT SOLUTIONS

is a registered trade mark of

LAMPA S.p.A.

46019 Viadana (MN) ITALY

Ditta certificata UNI EN ISO 9001:2008

www.nordrive.it

www.lampa.it