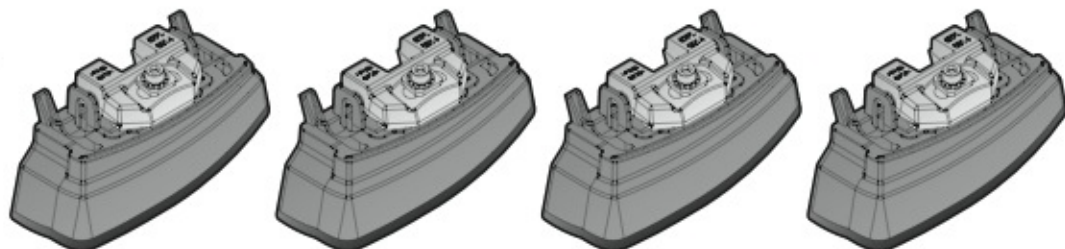


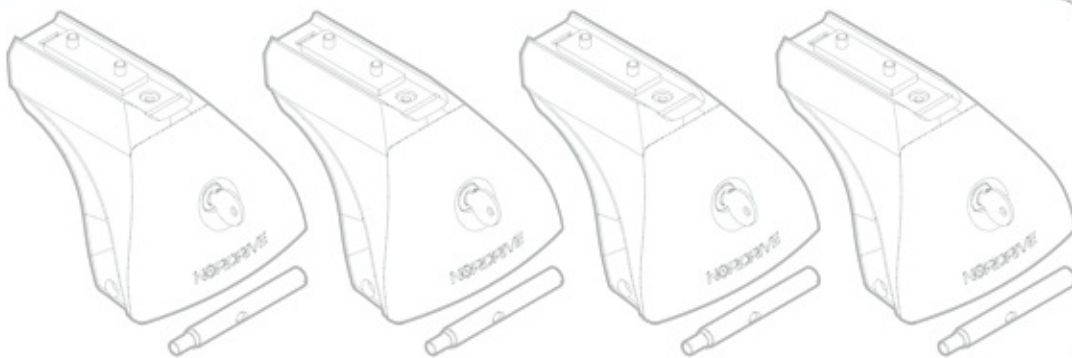
Art.
N21130



C

+

Art. **N20001**



B

+

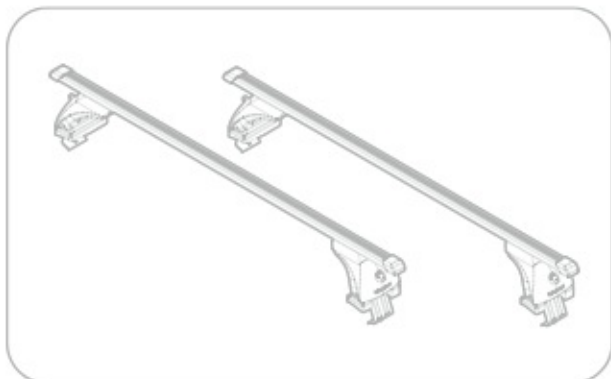
Art. **N15019**



A

ACCIAIO
Steel

=



Art. **N15024**






A

ALLUMINIO
Aluminium

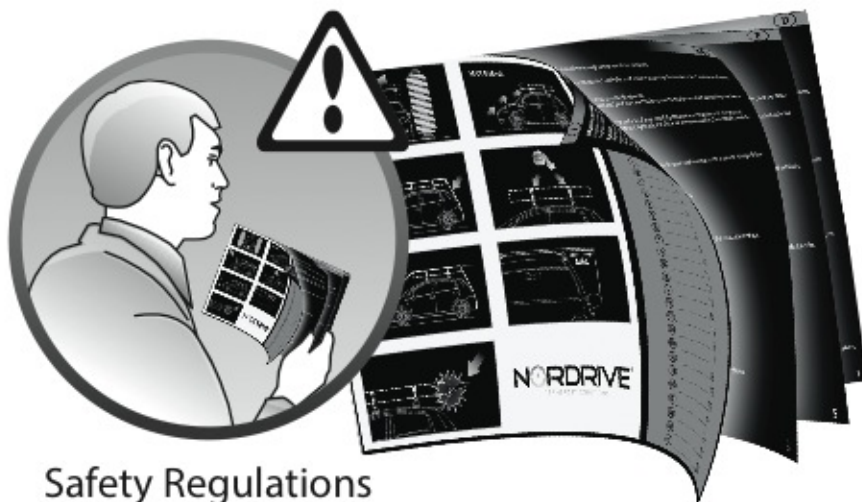
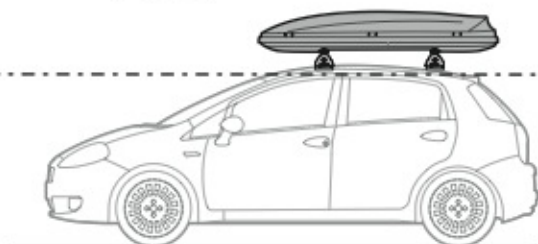
=



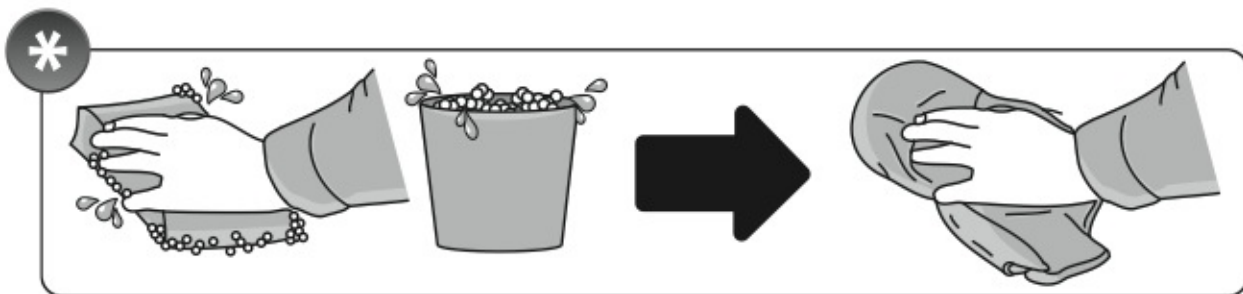
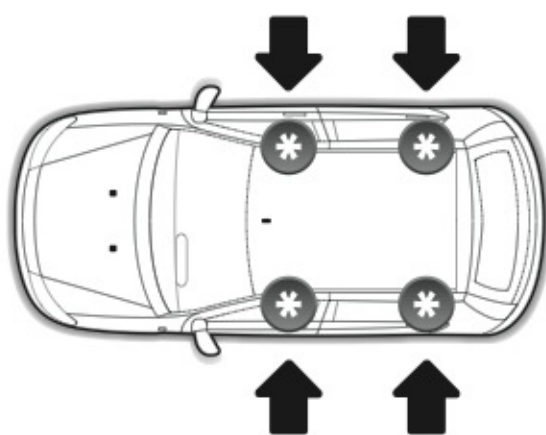
 +  +  = max: **75kg**
5,5kg



max:
???kg



Safety Regulations

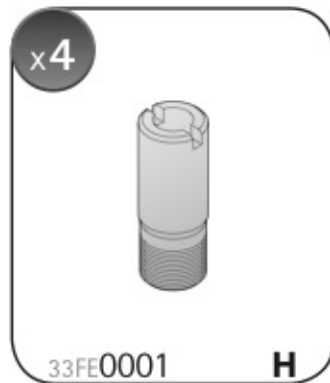
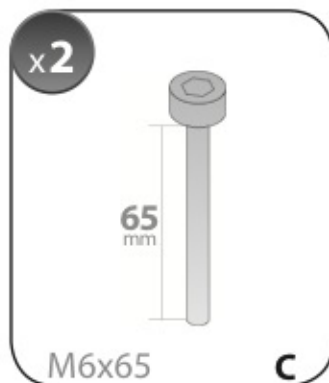
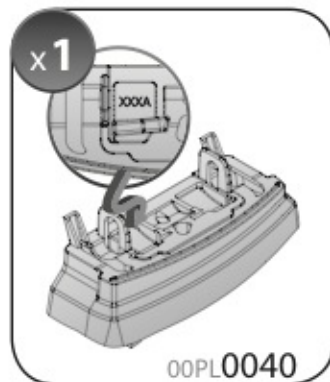
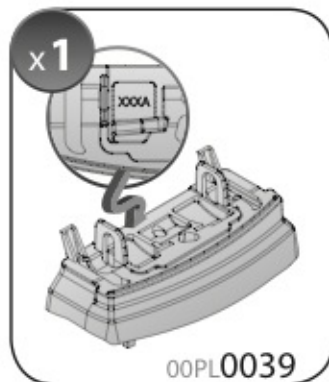
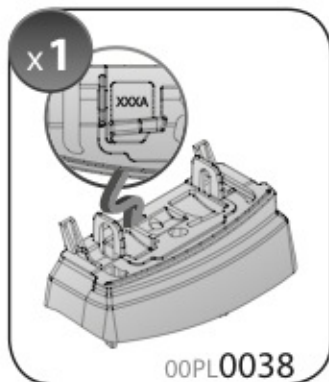
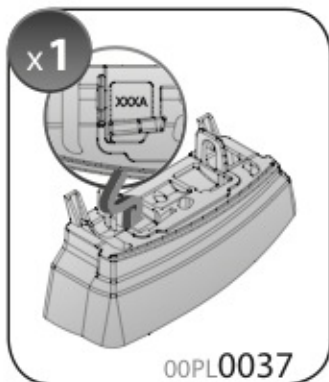
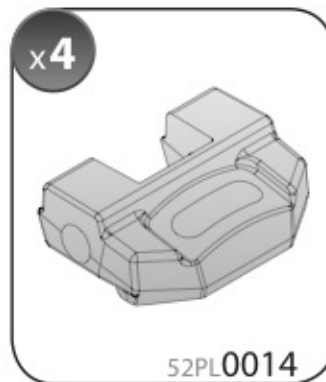
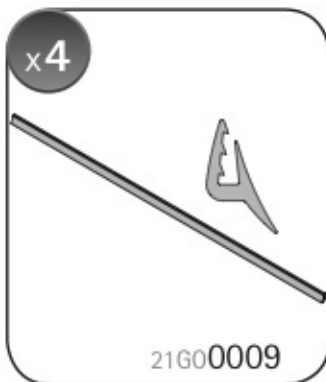
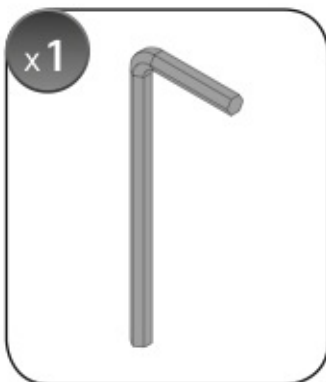


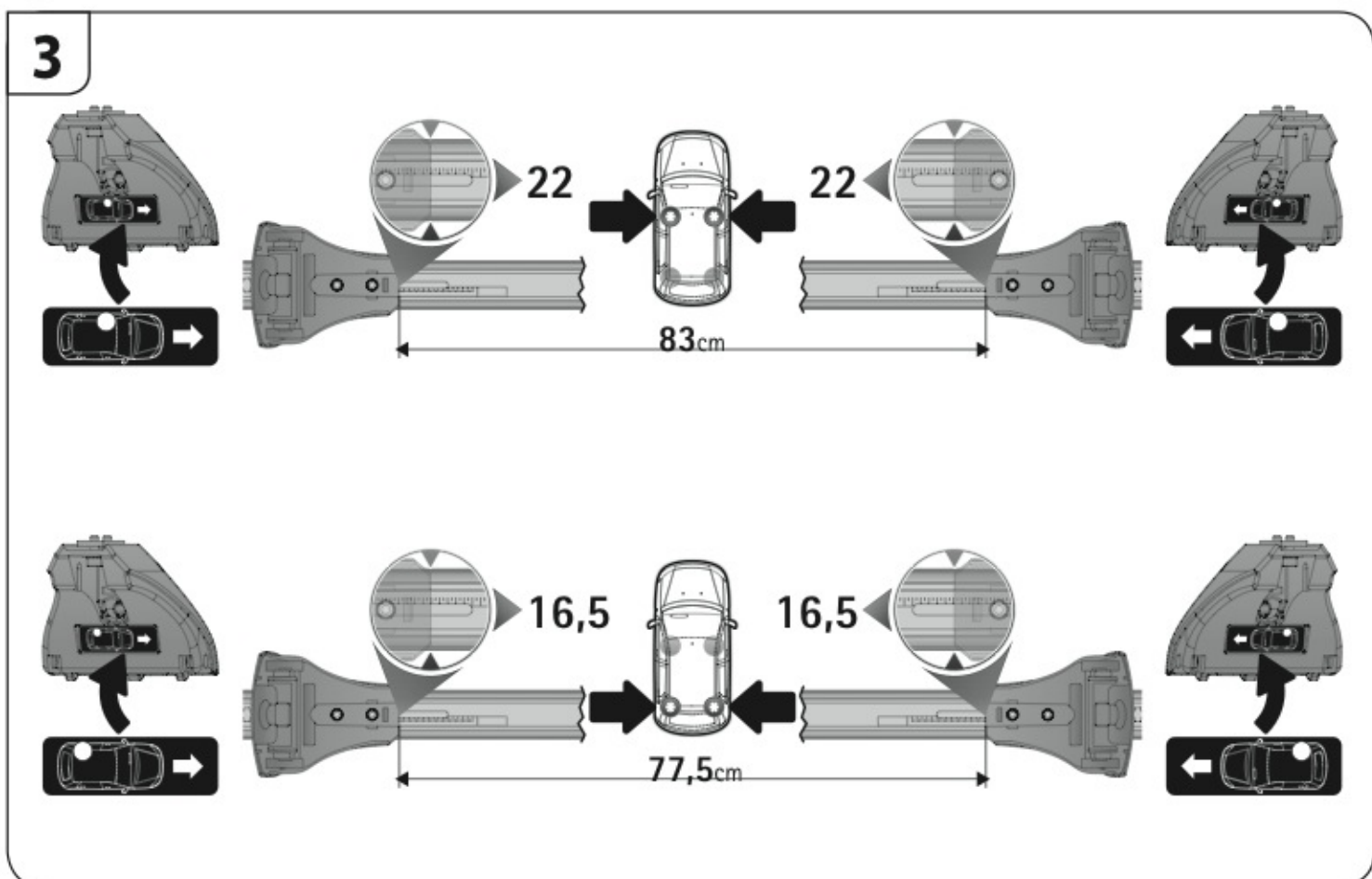
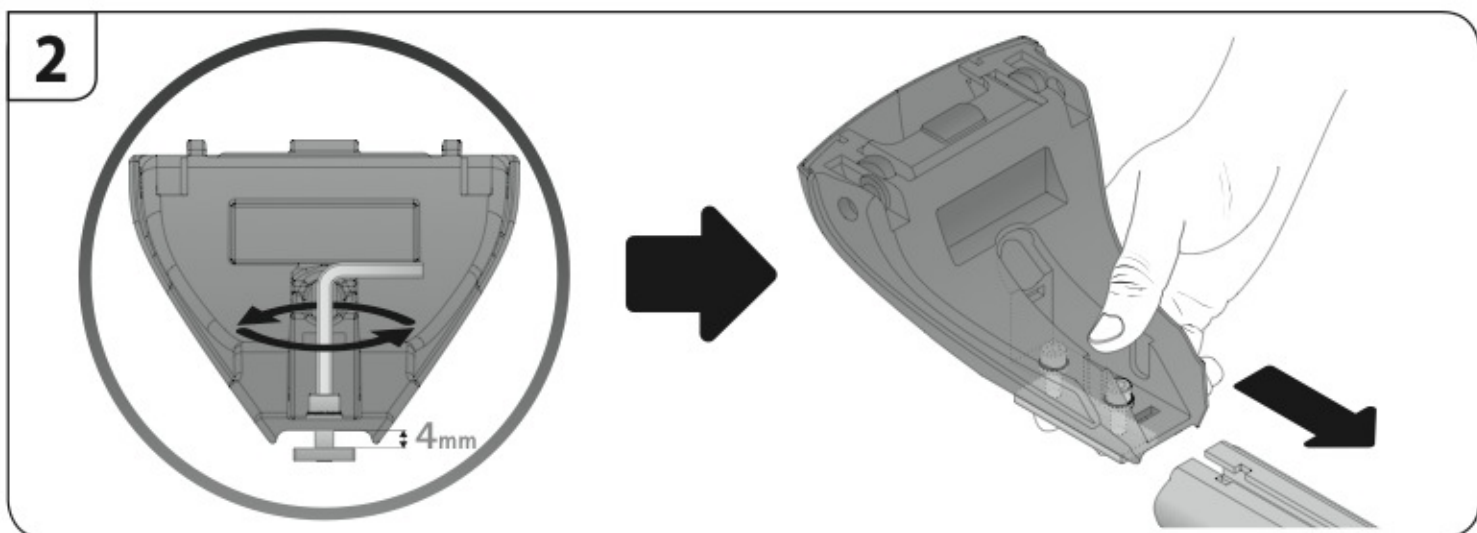
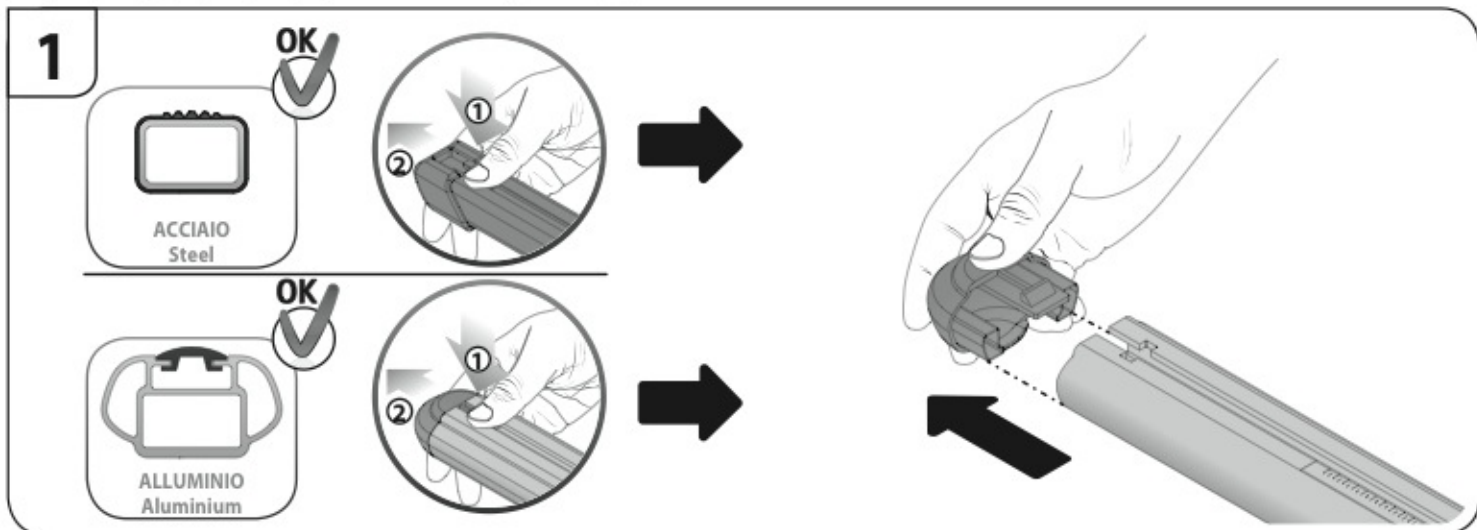


**MERCEDES
CLASSE C**

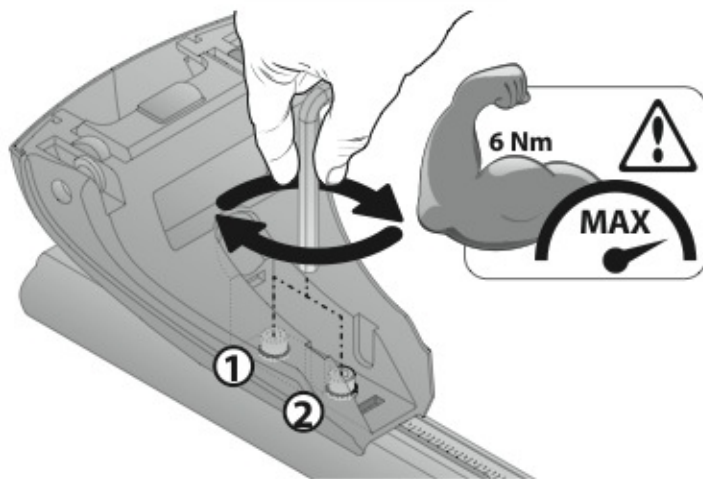
02/07→06/14

Art. **N21130**

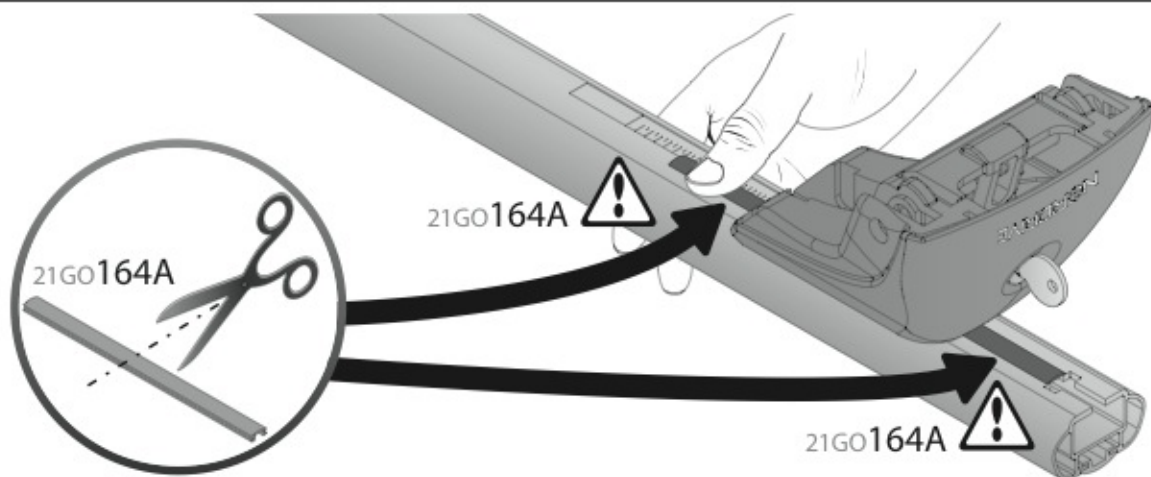




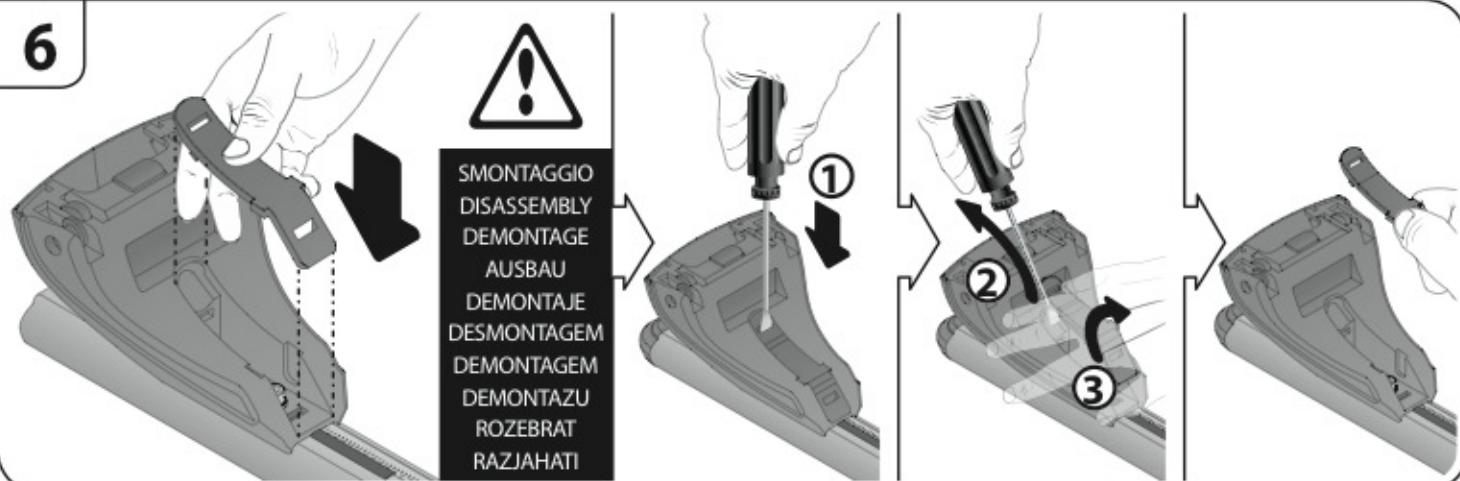
4



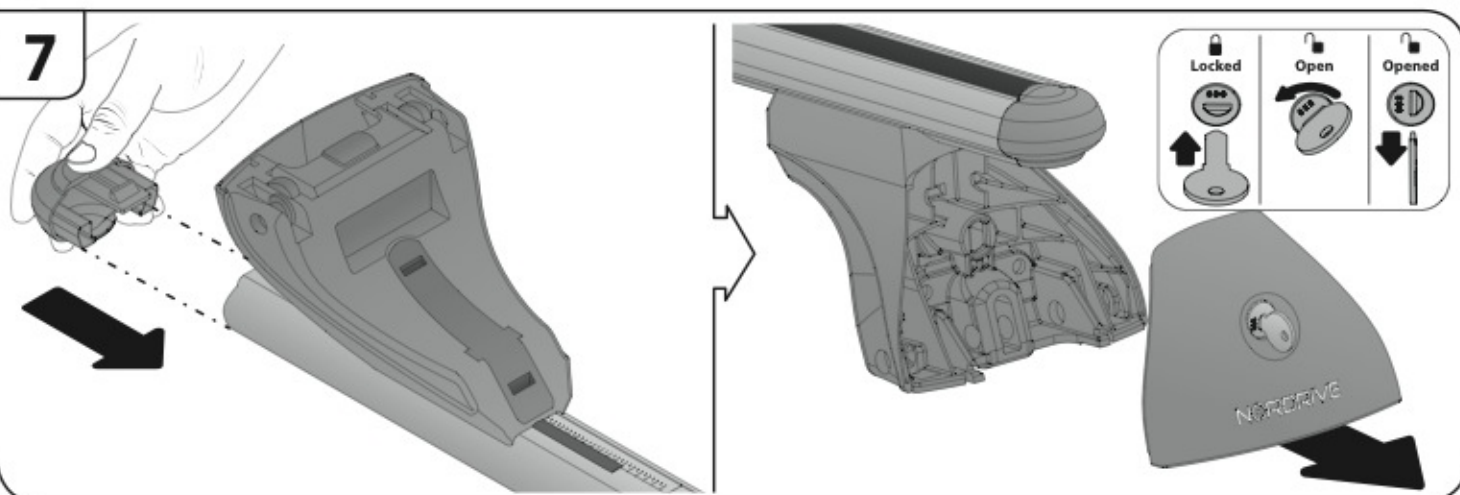
5



6

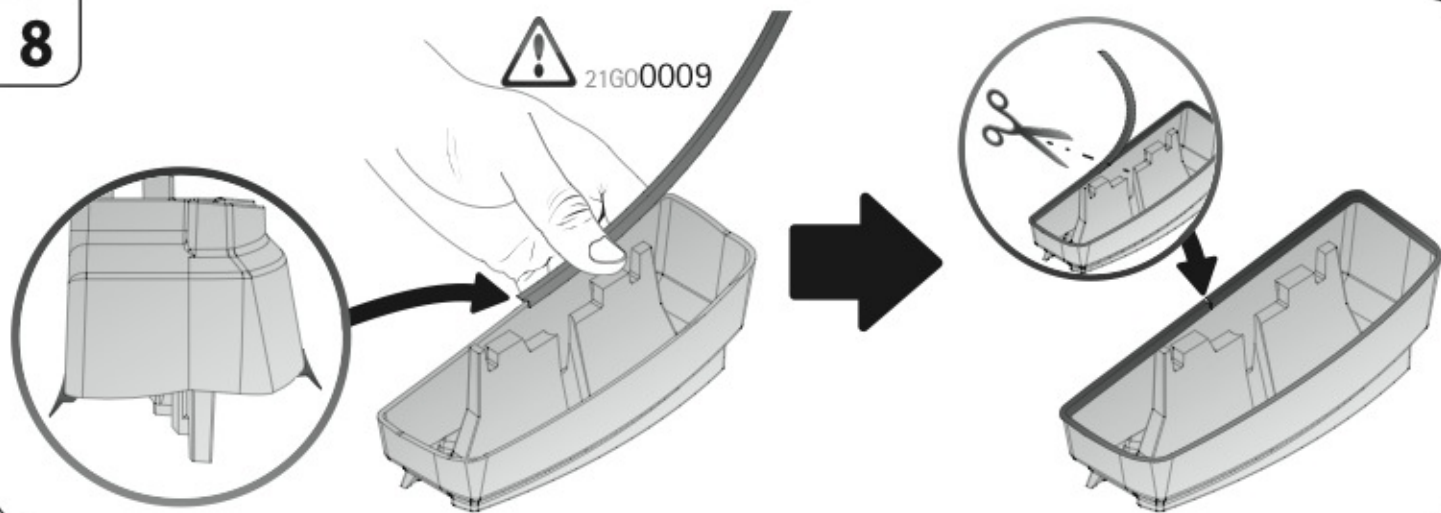


7

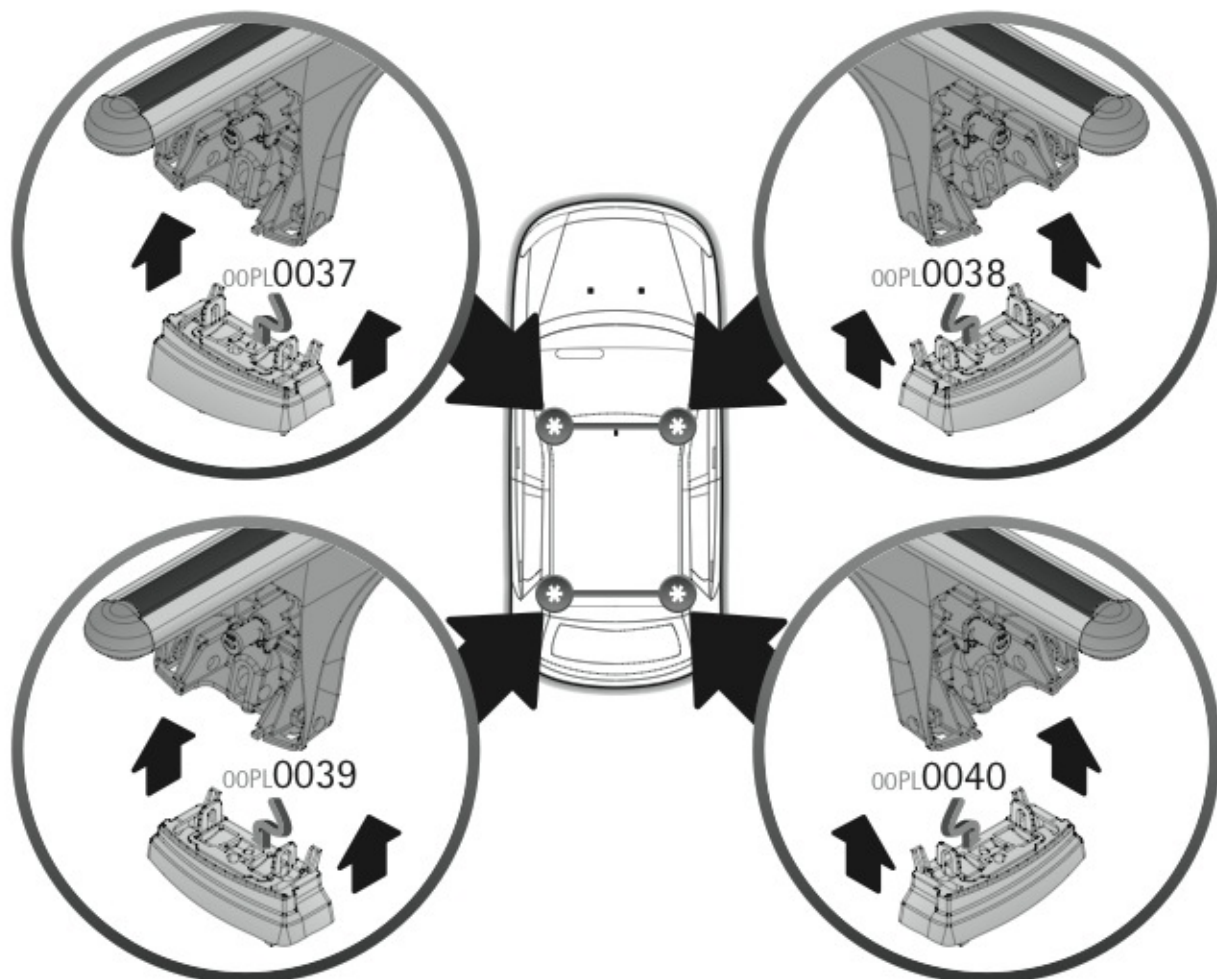


8

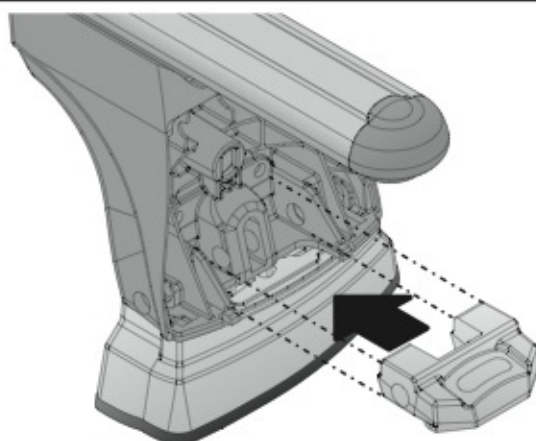
 21G00009



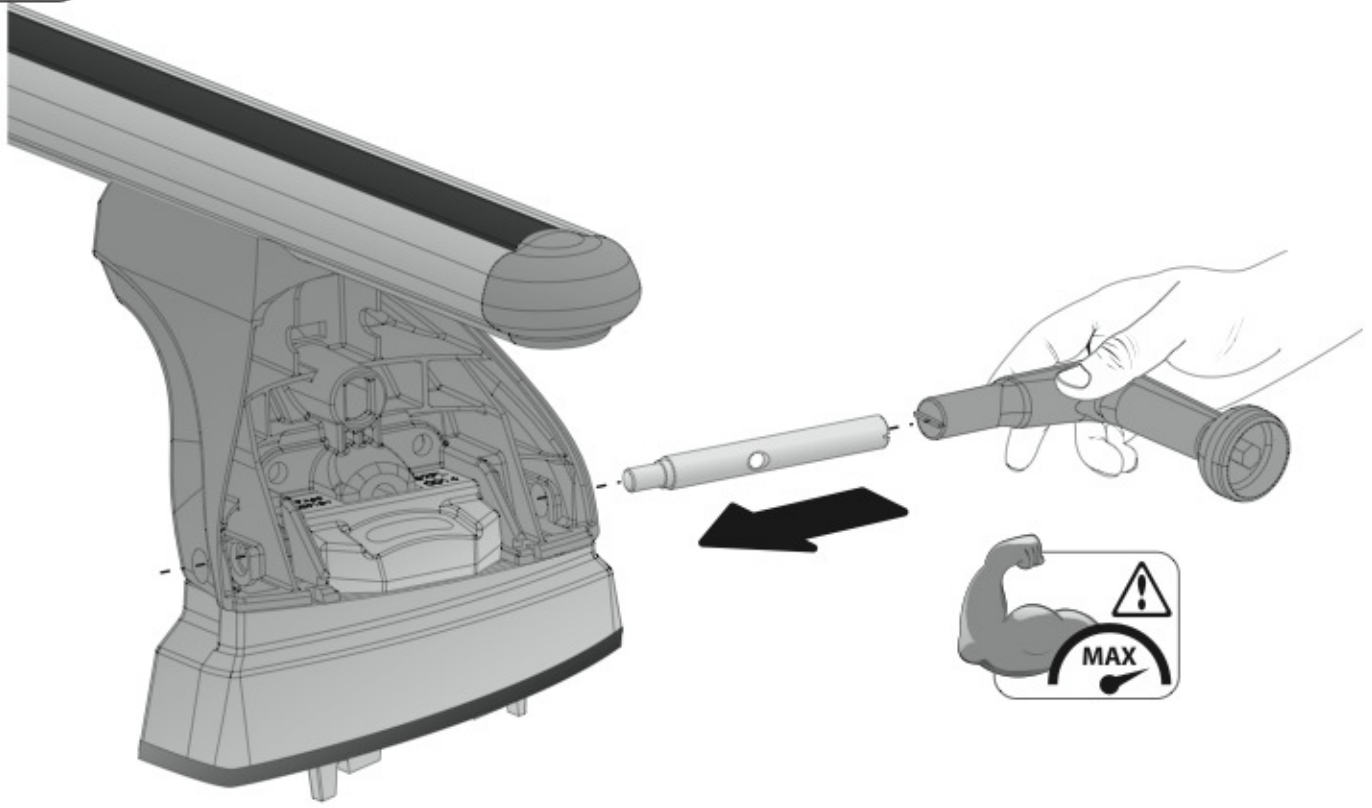
9



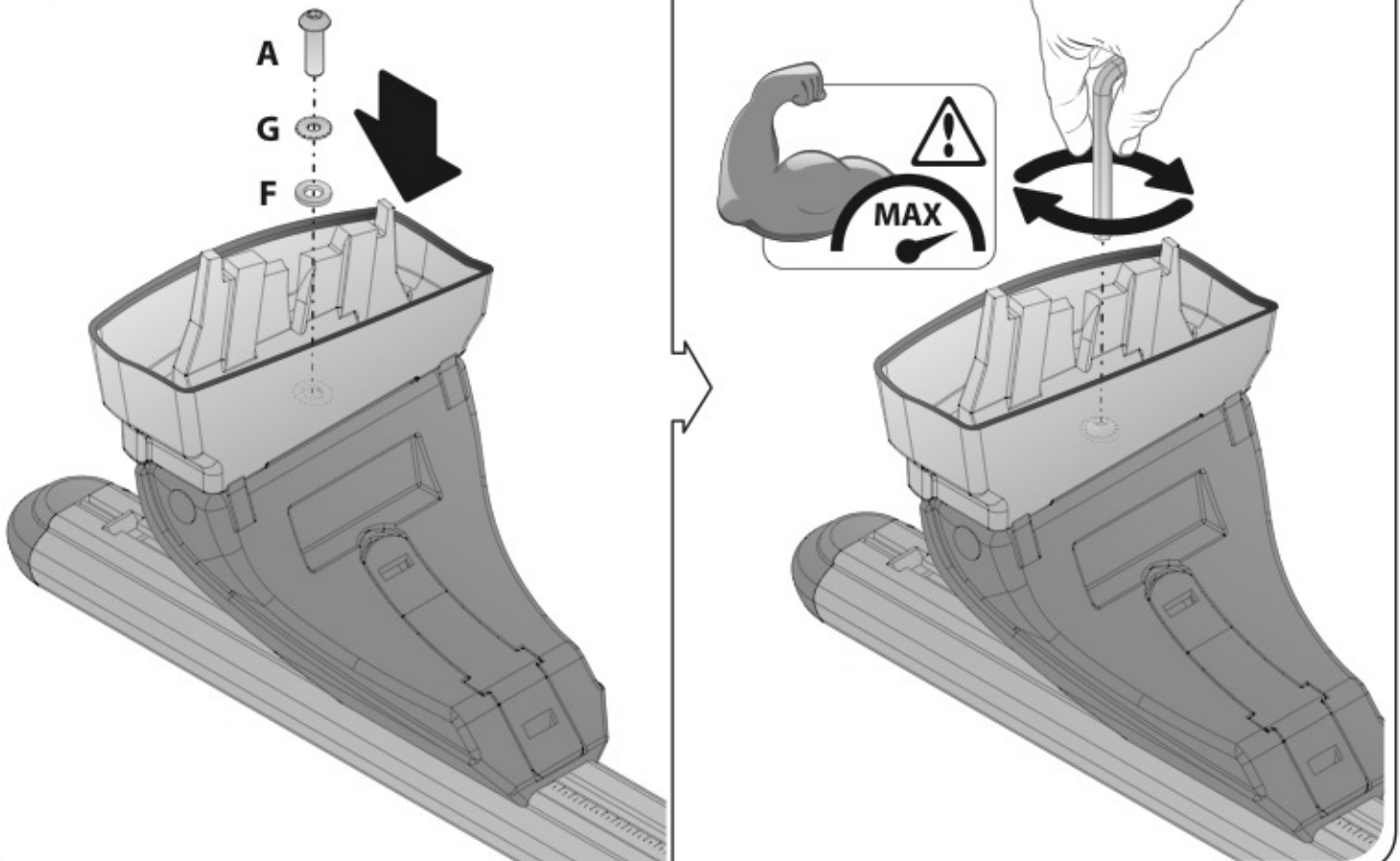
10



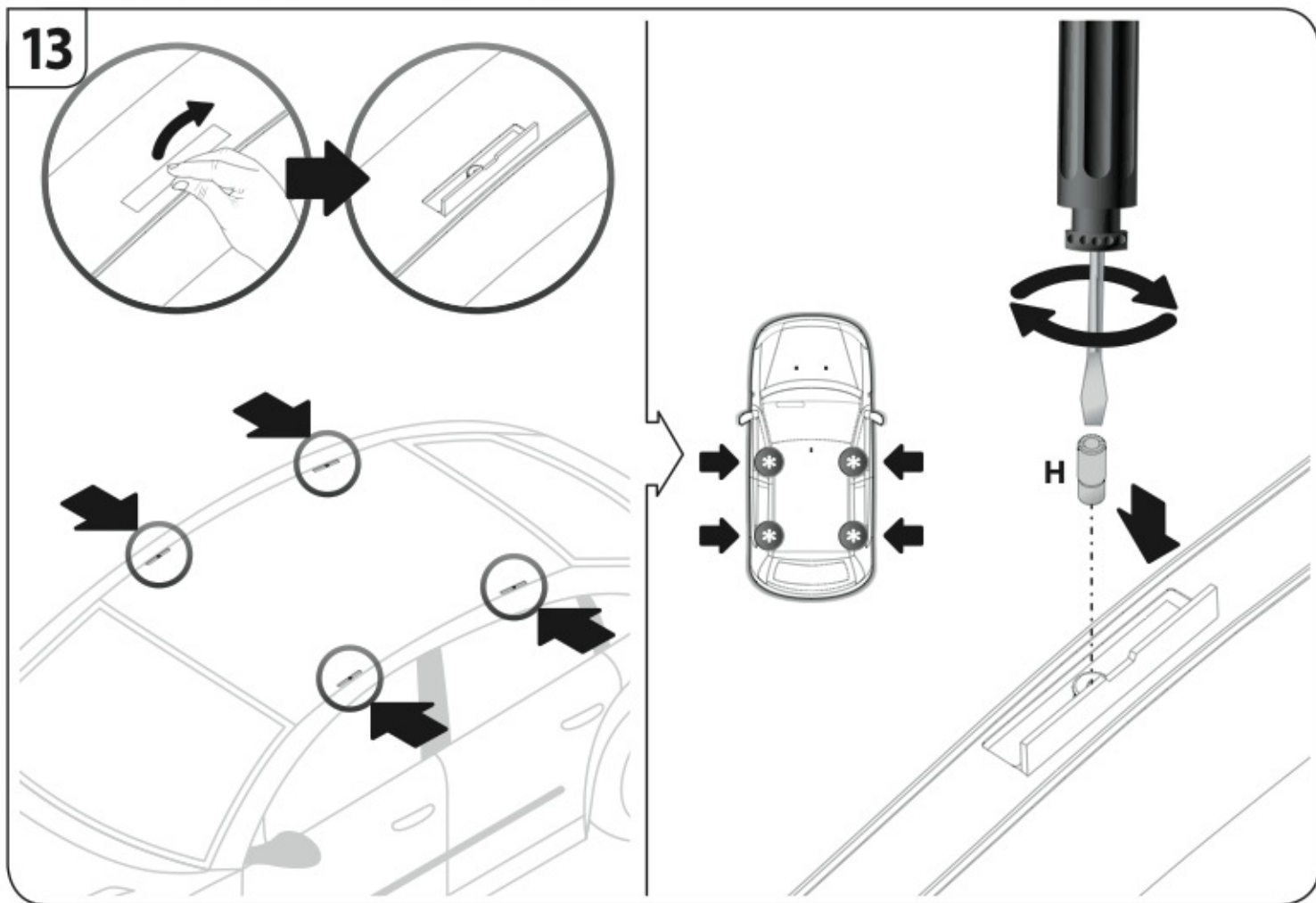
11



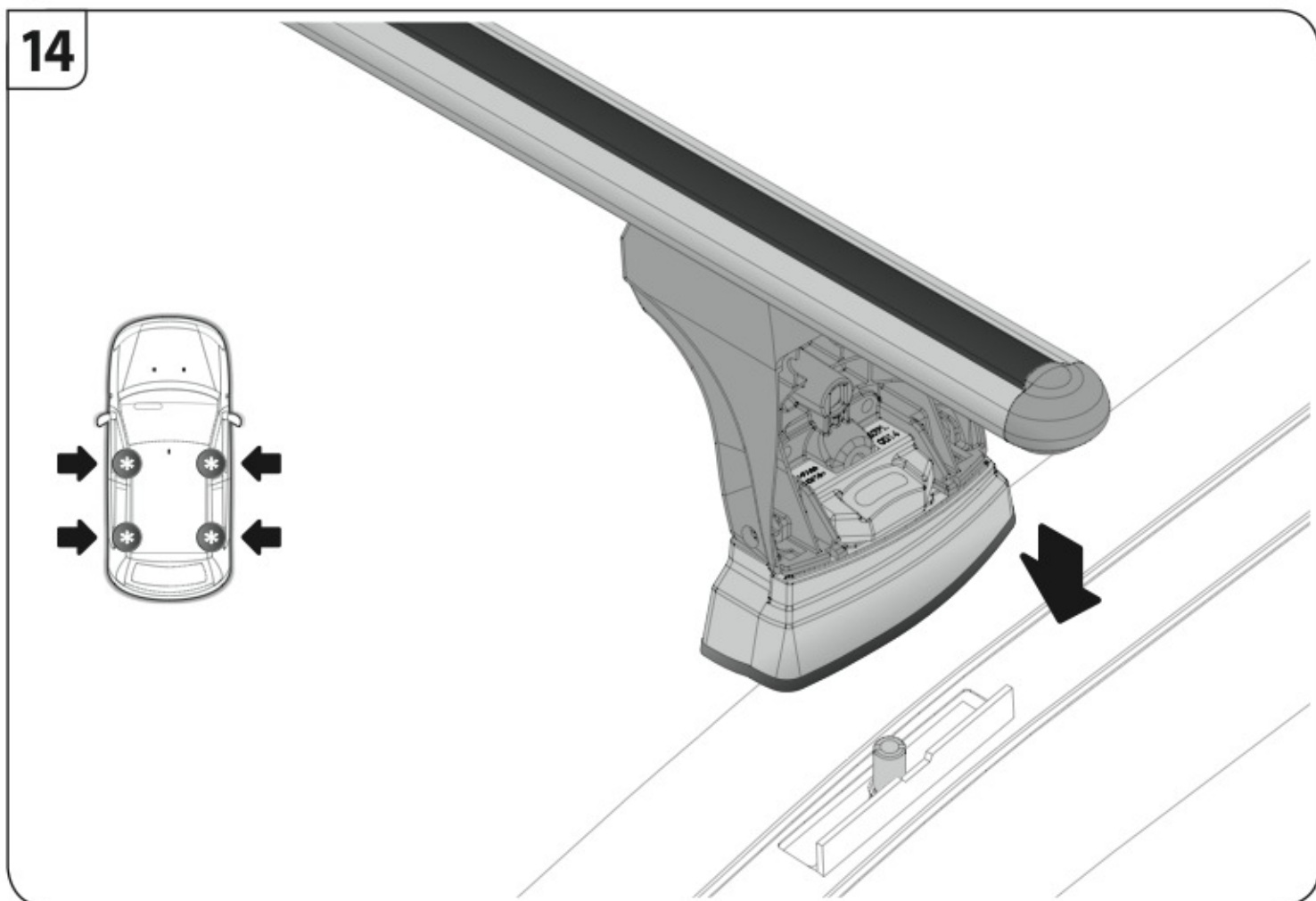
12



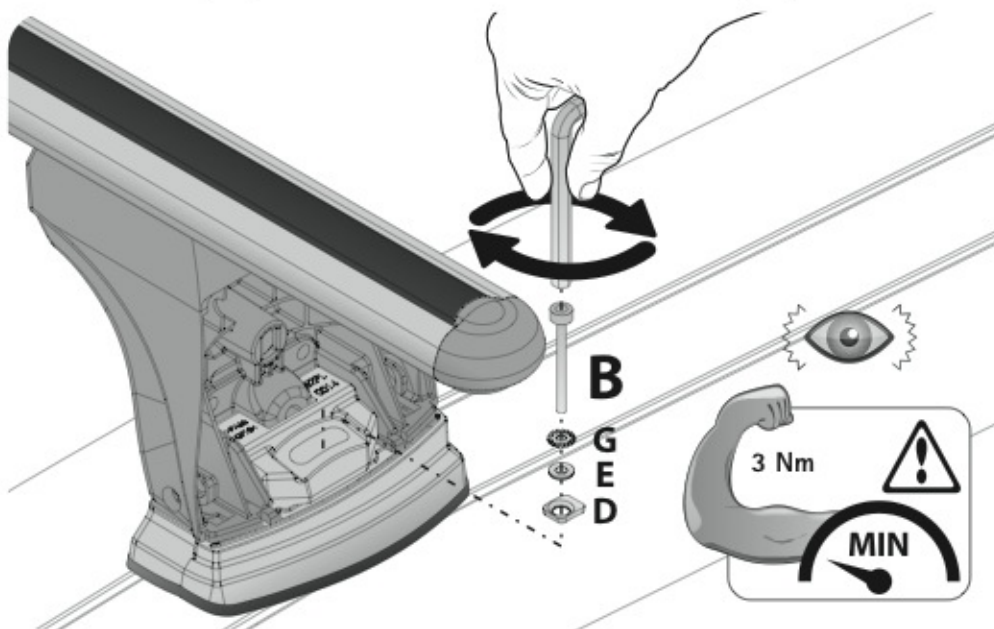
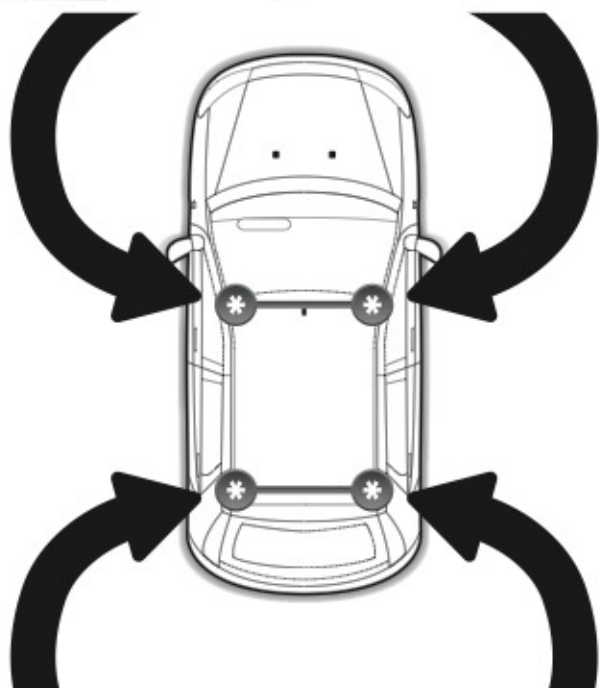
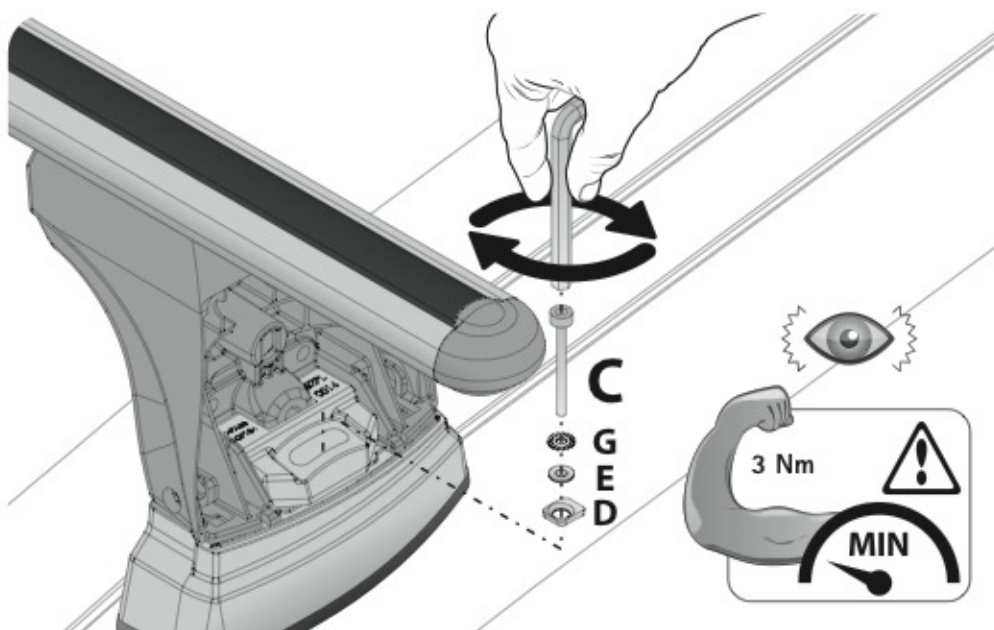
13



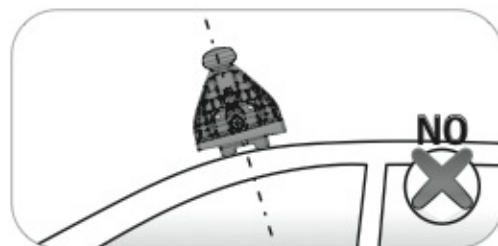
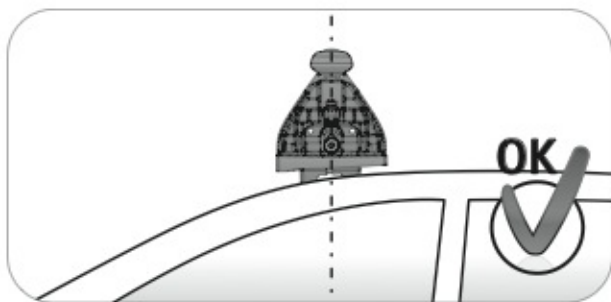
14



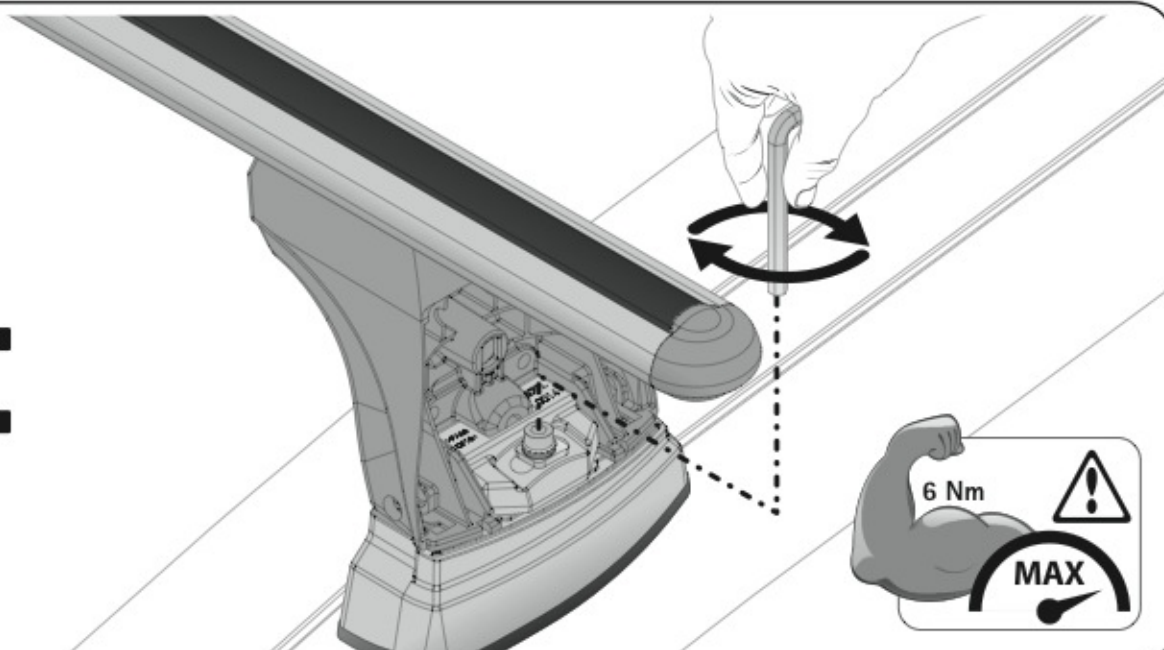
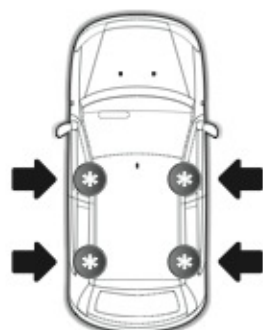
15



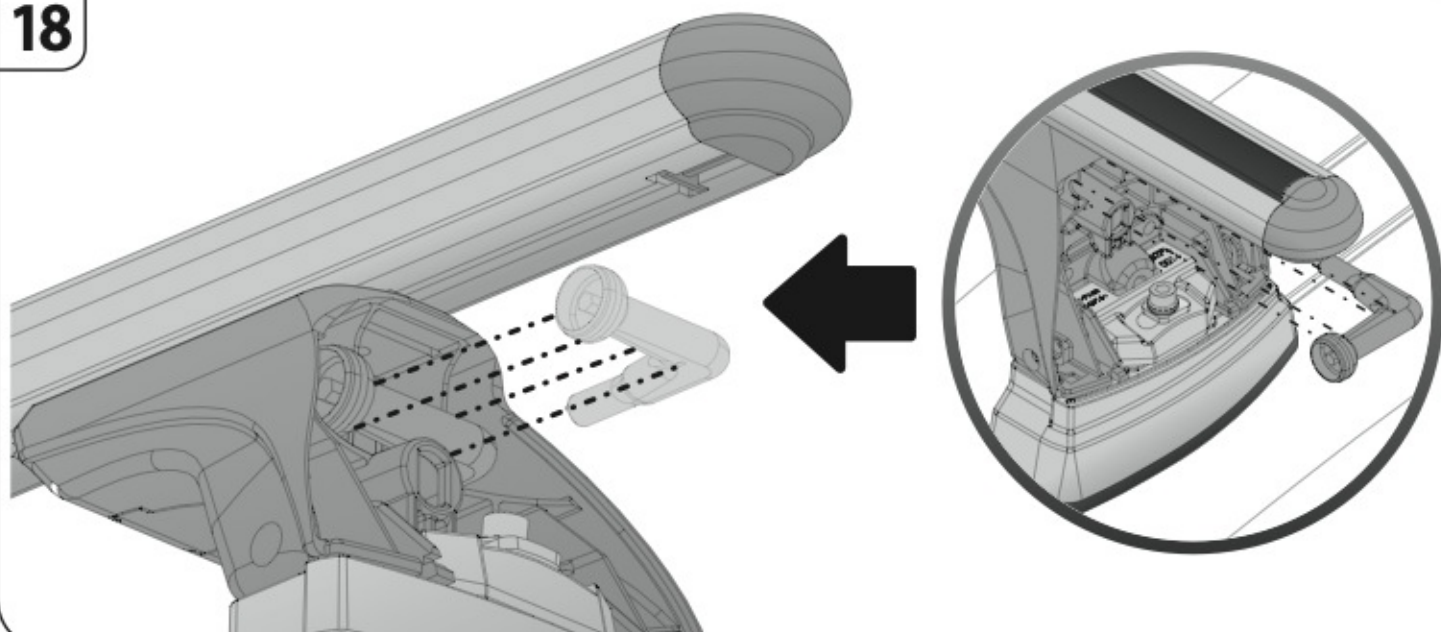
16



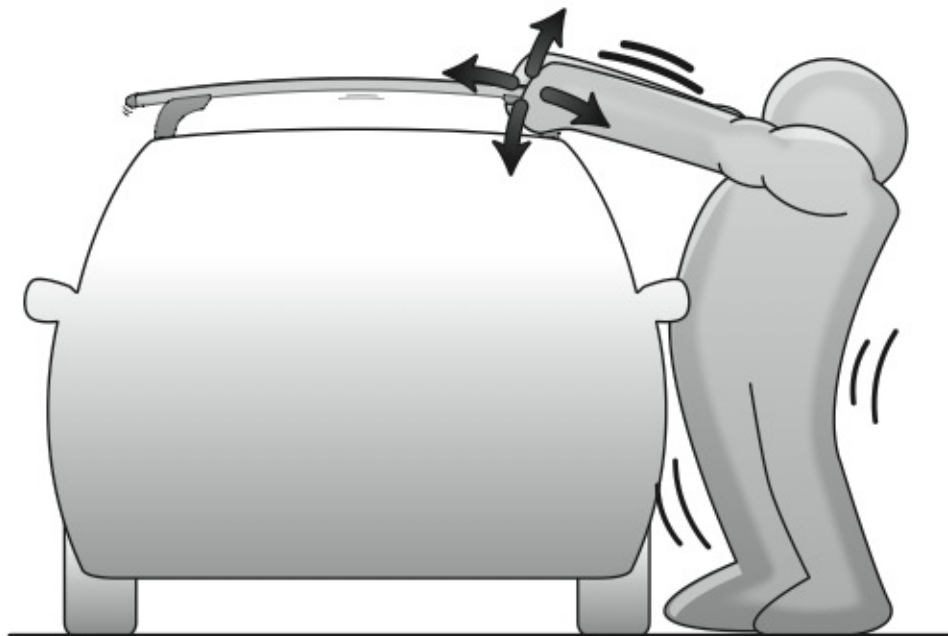
17



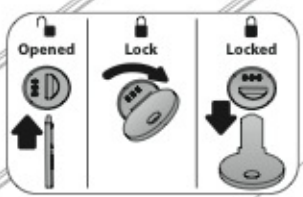
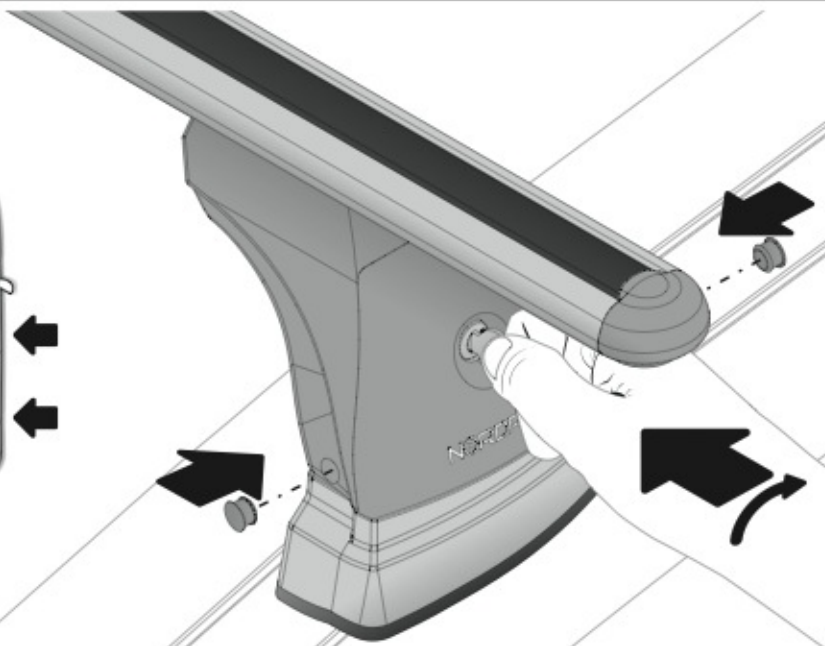
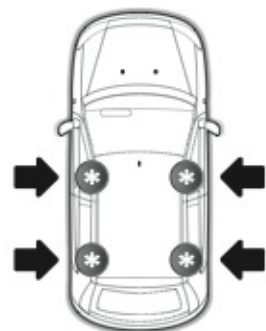
18



19



20



EVOS

EVOLUZIONE ZERO SYSTEM

NORDRIVE[®]
TRANSPORT SOLUTIONS

is a registered trade mark of

LAMPA S.p.A.

46019 Viadana (MN) ITALY

Ditta certificata UNI EN ISO 9001:2008

www.nordrive.it

www.lampa.it