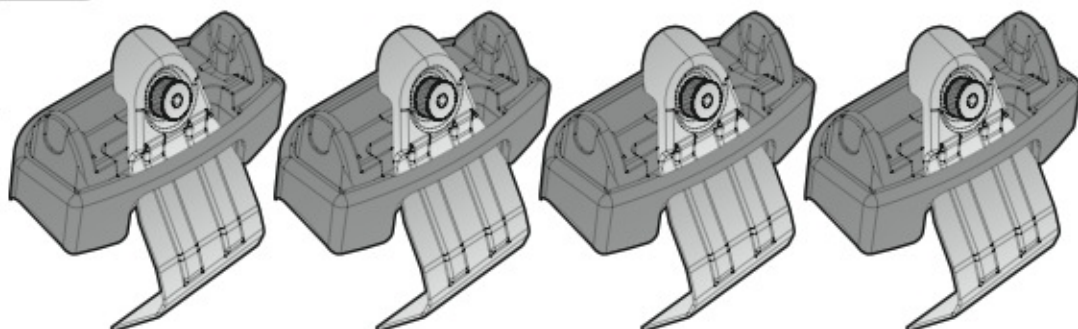


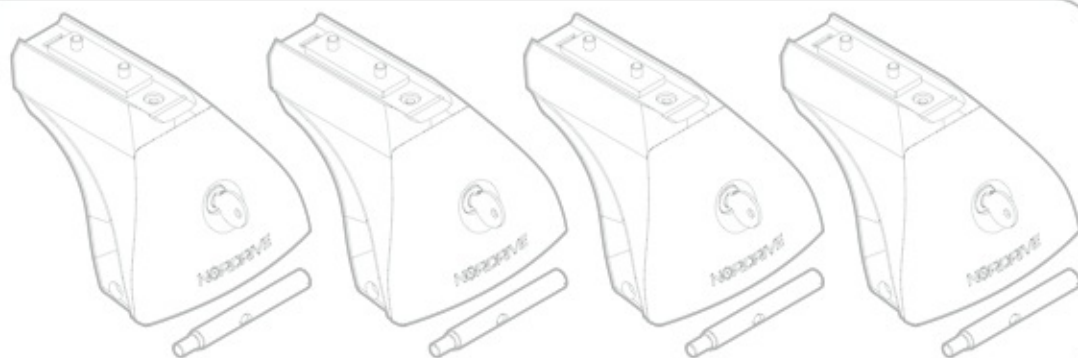
Art.
N21128



C

+

Art. **N20001**



B

+

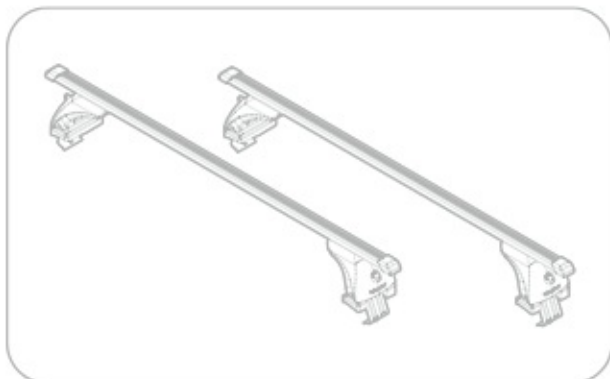
Art. **N15020**



A

ACCIAIO
Steel

=



Art. **N15025**



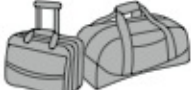


A

ALLUMINIO
Aluminium

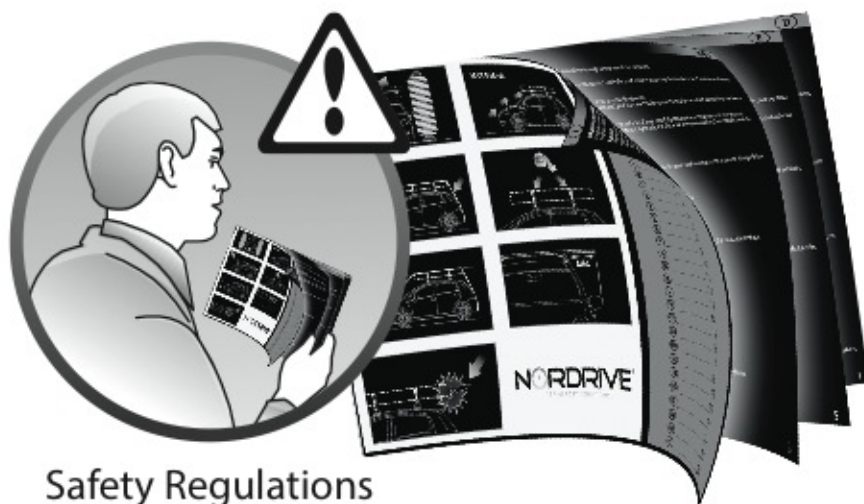
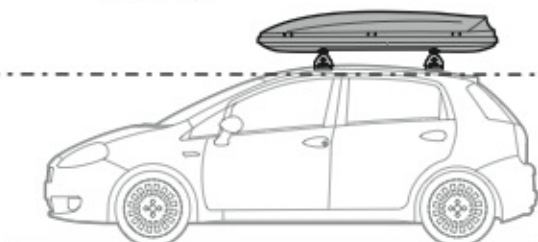
=



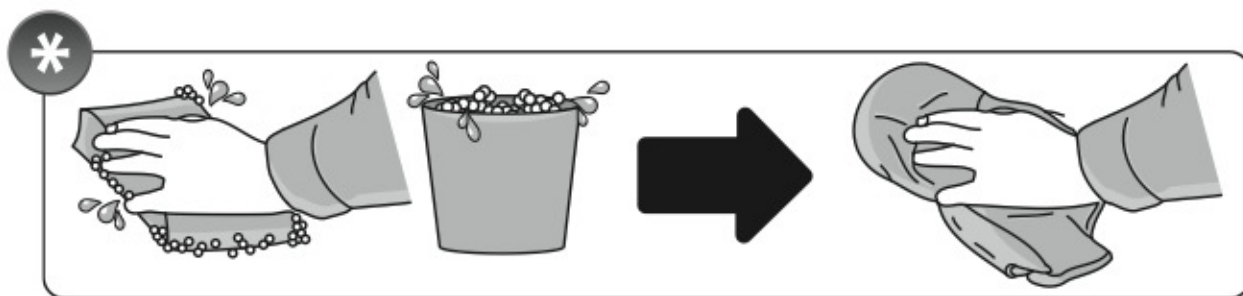
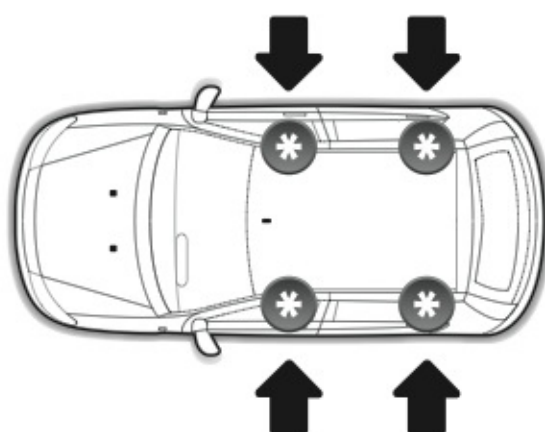
 +  +  = max: **75kg**
5,5kg



max:
???kg



Safety Regulations

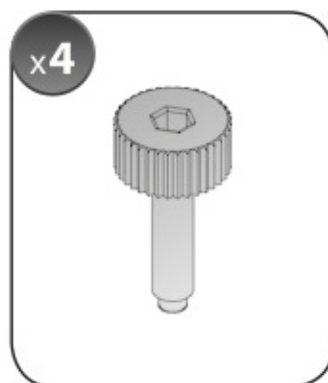
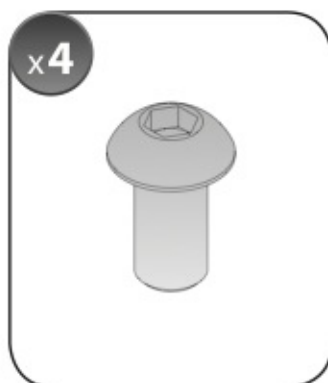
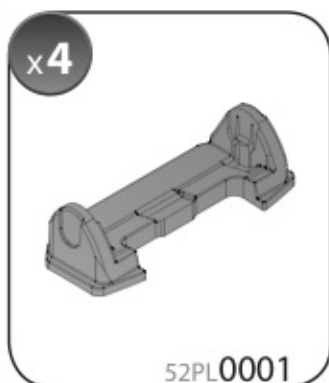
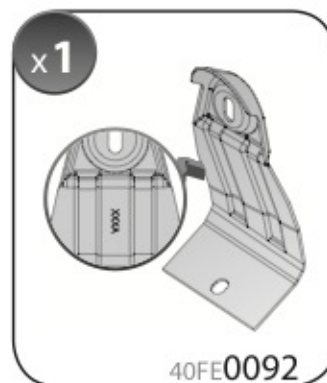
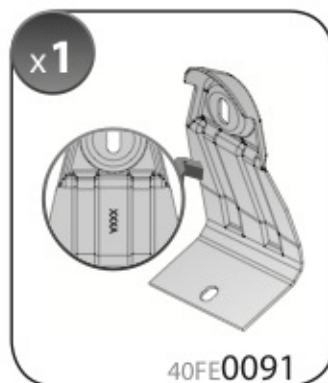
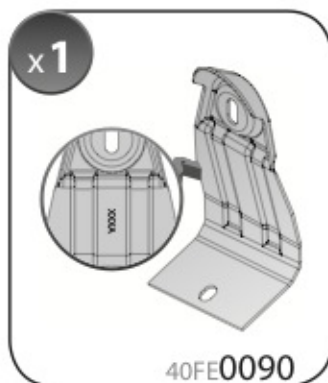
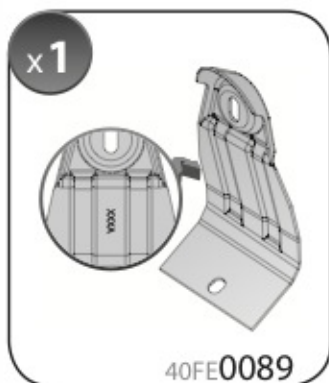
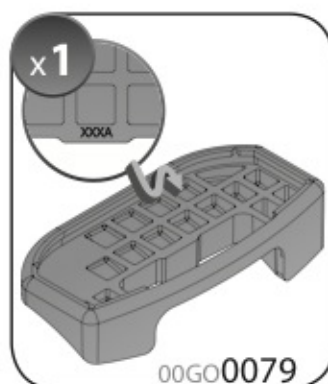
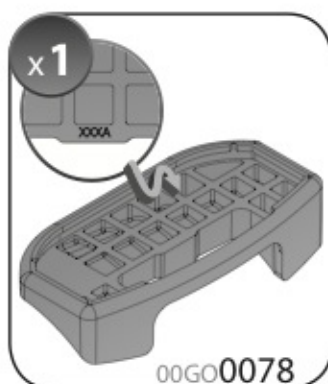
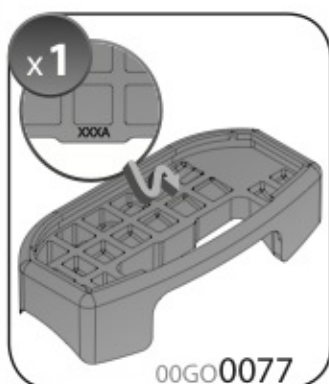
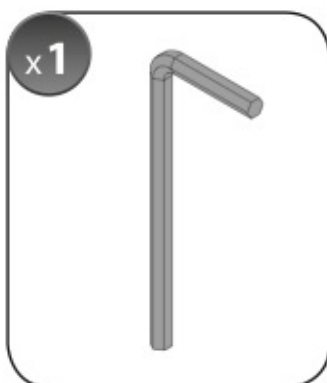


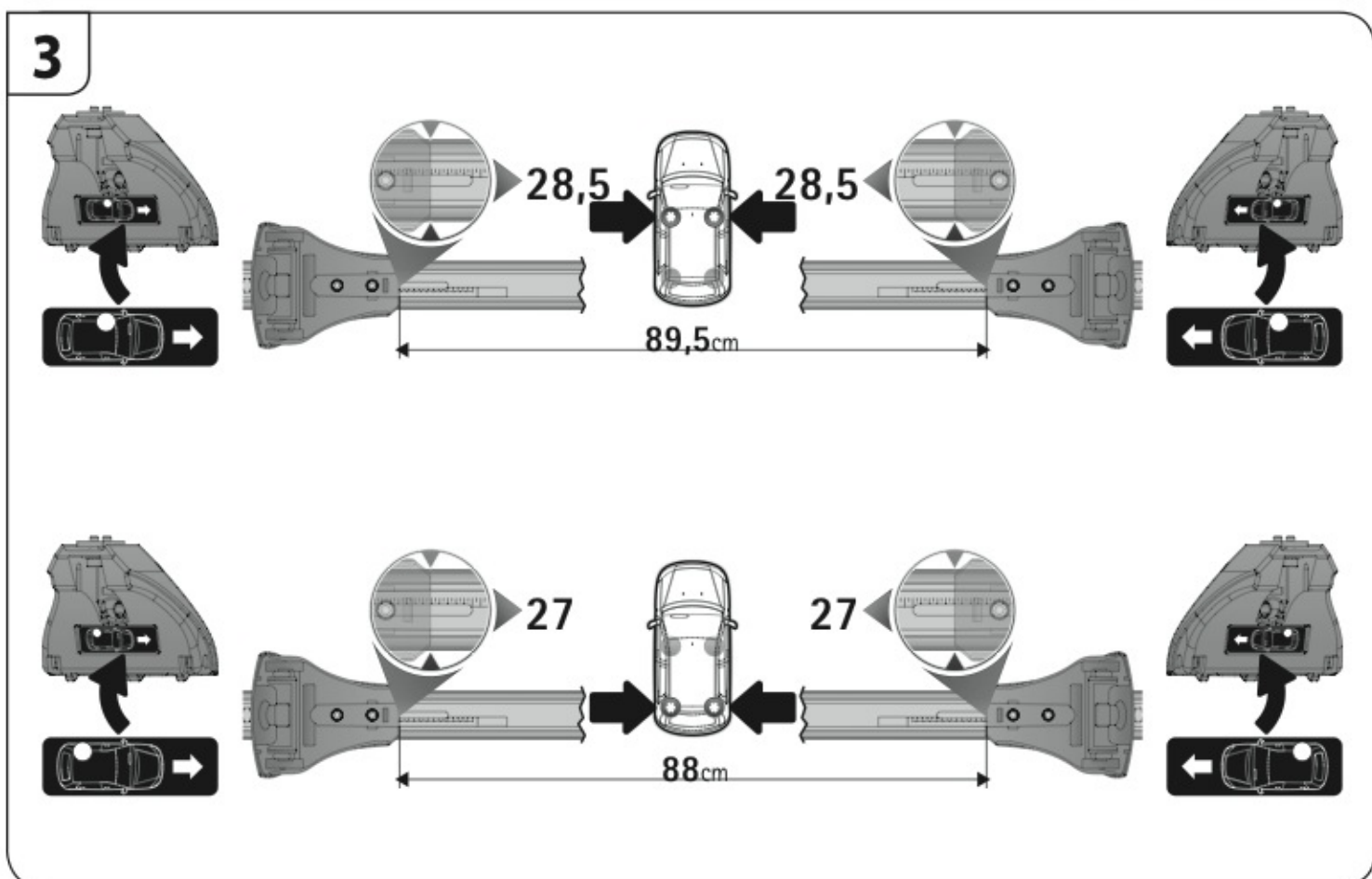
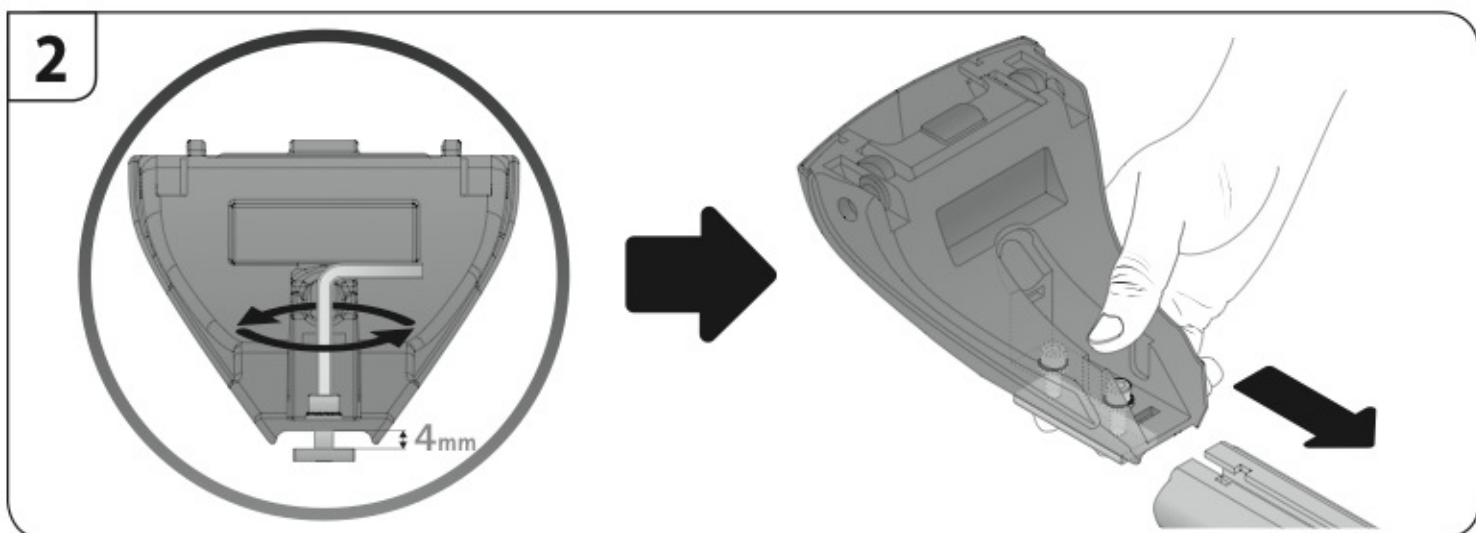
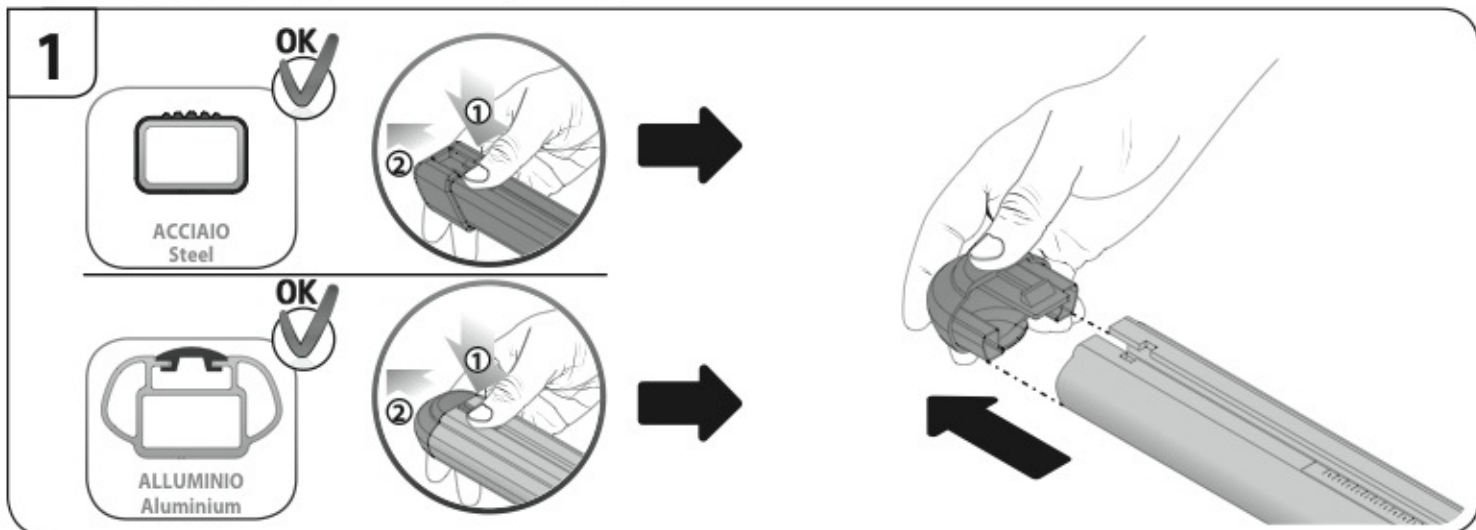


CITROËN C4

11/10 →

Art. **N21128**

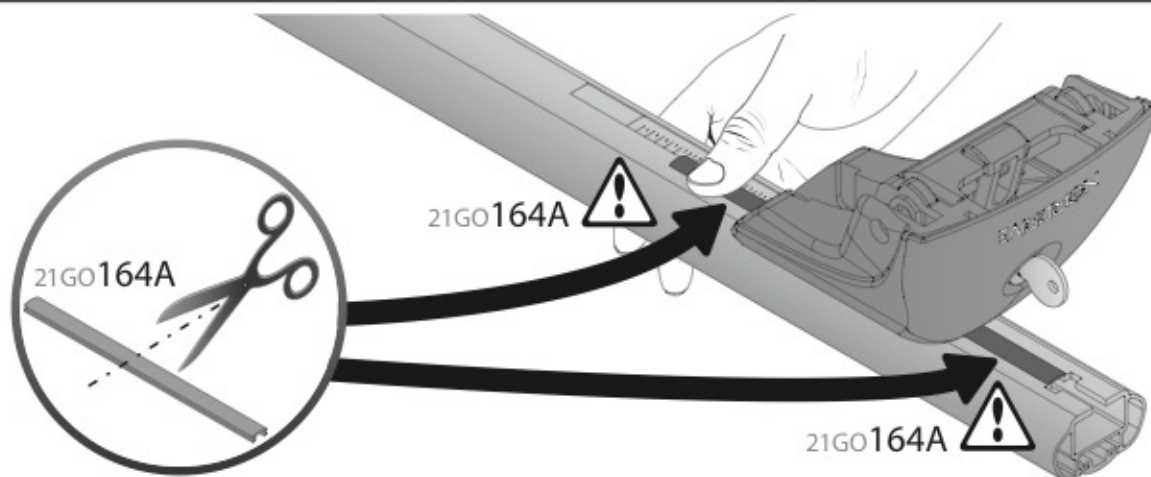




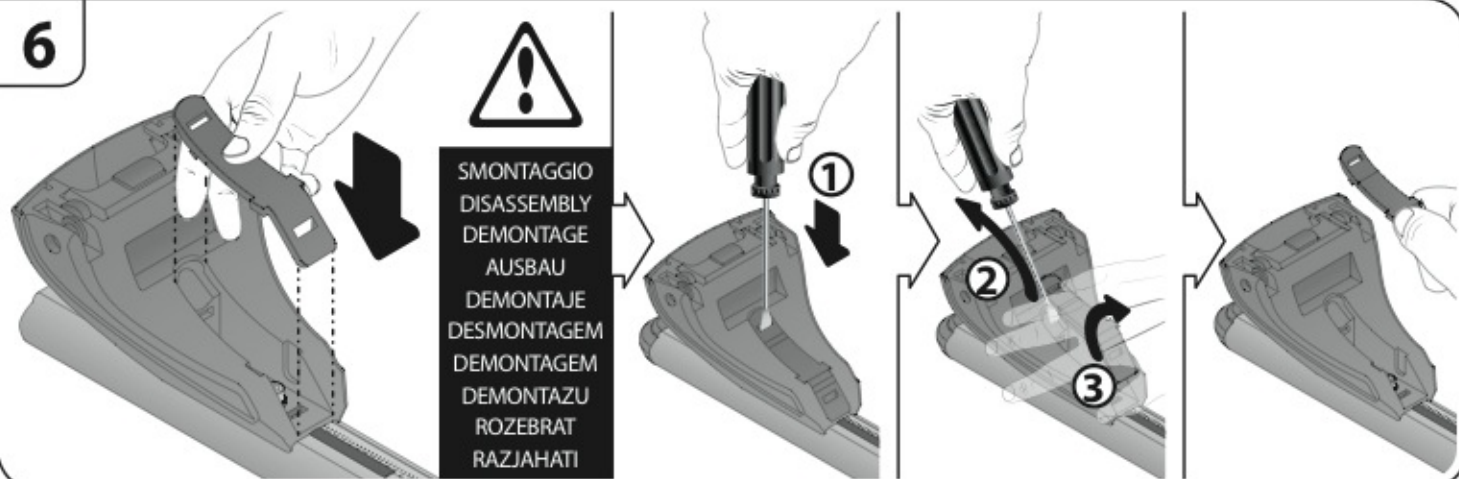
4



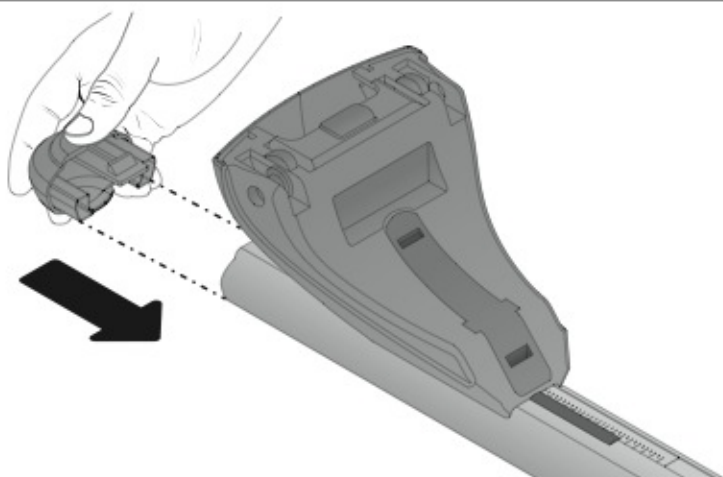
5

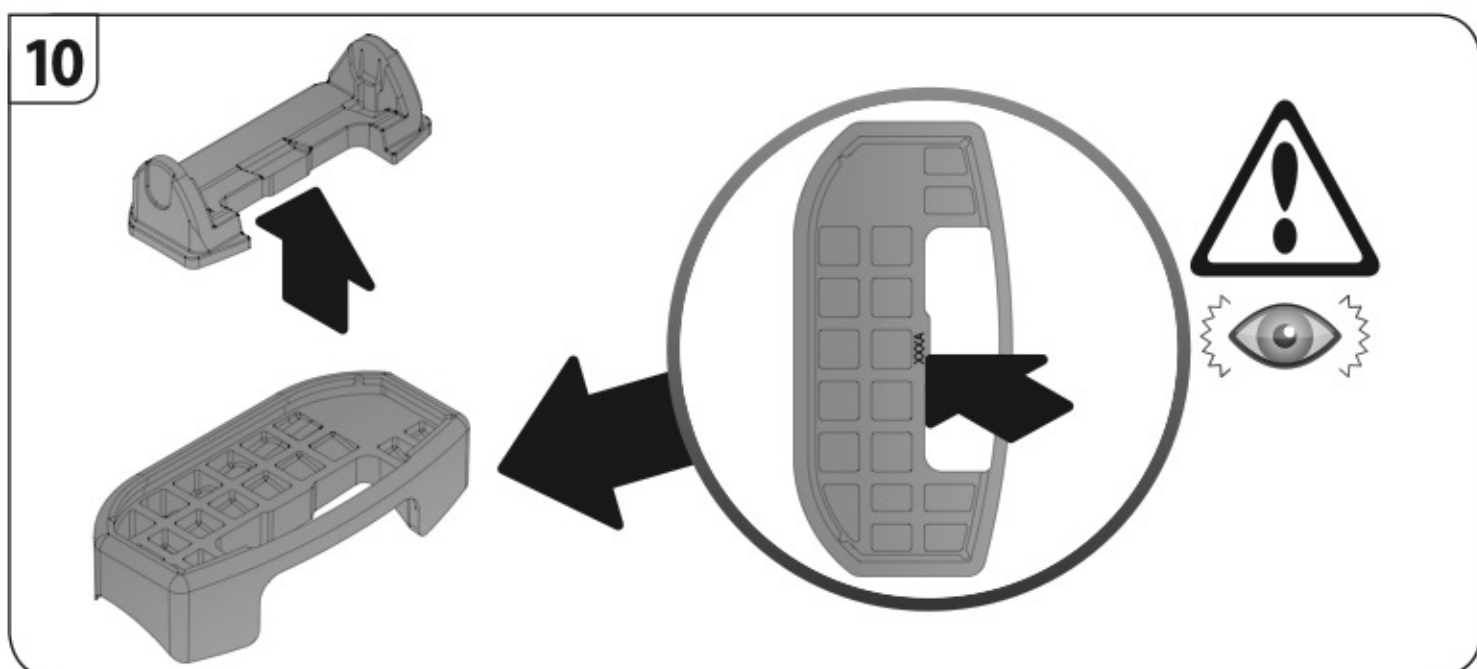
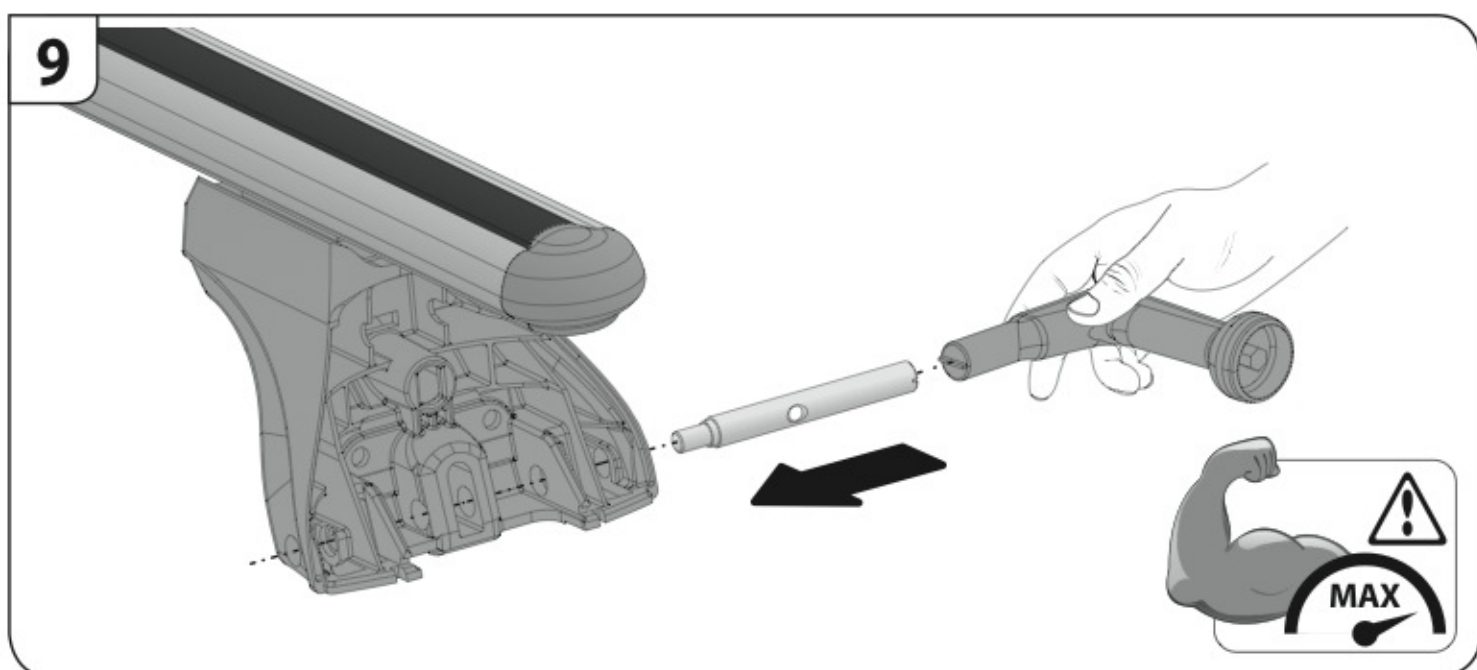
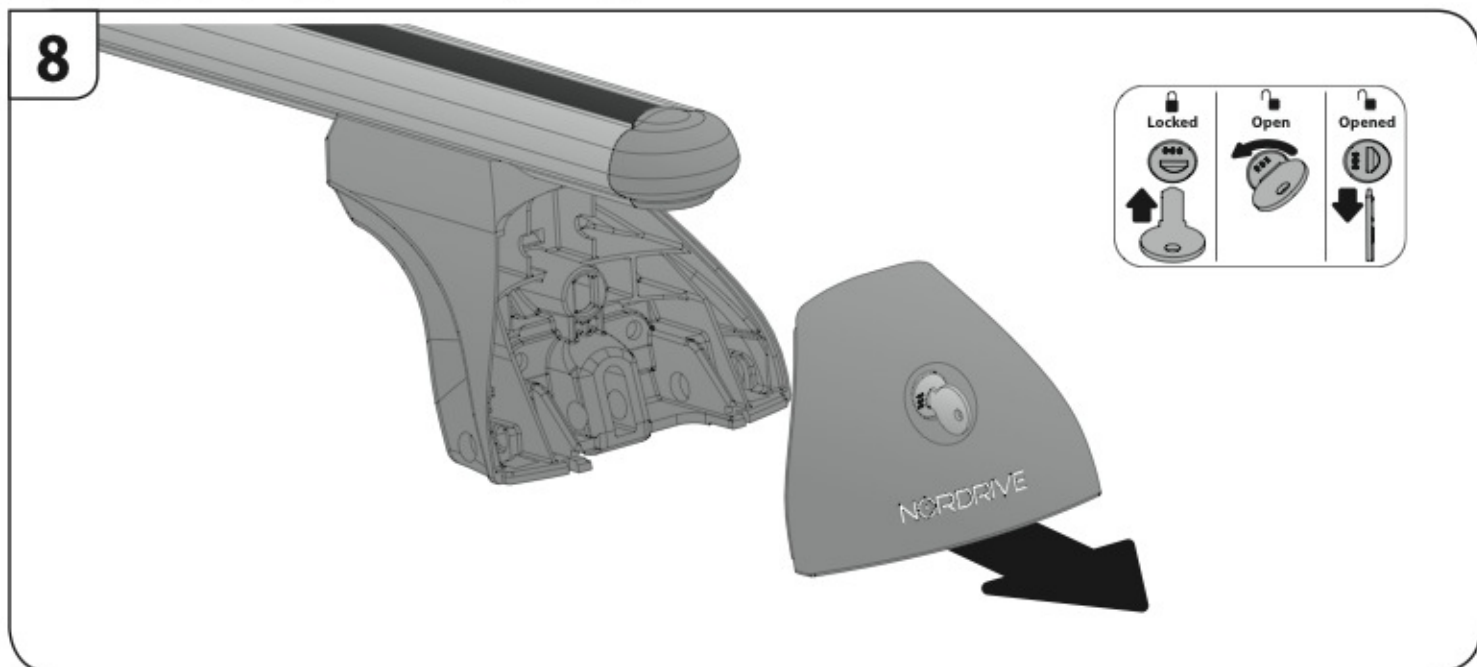


6

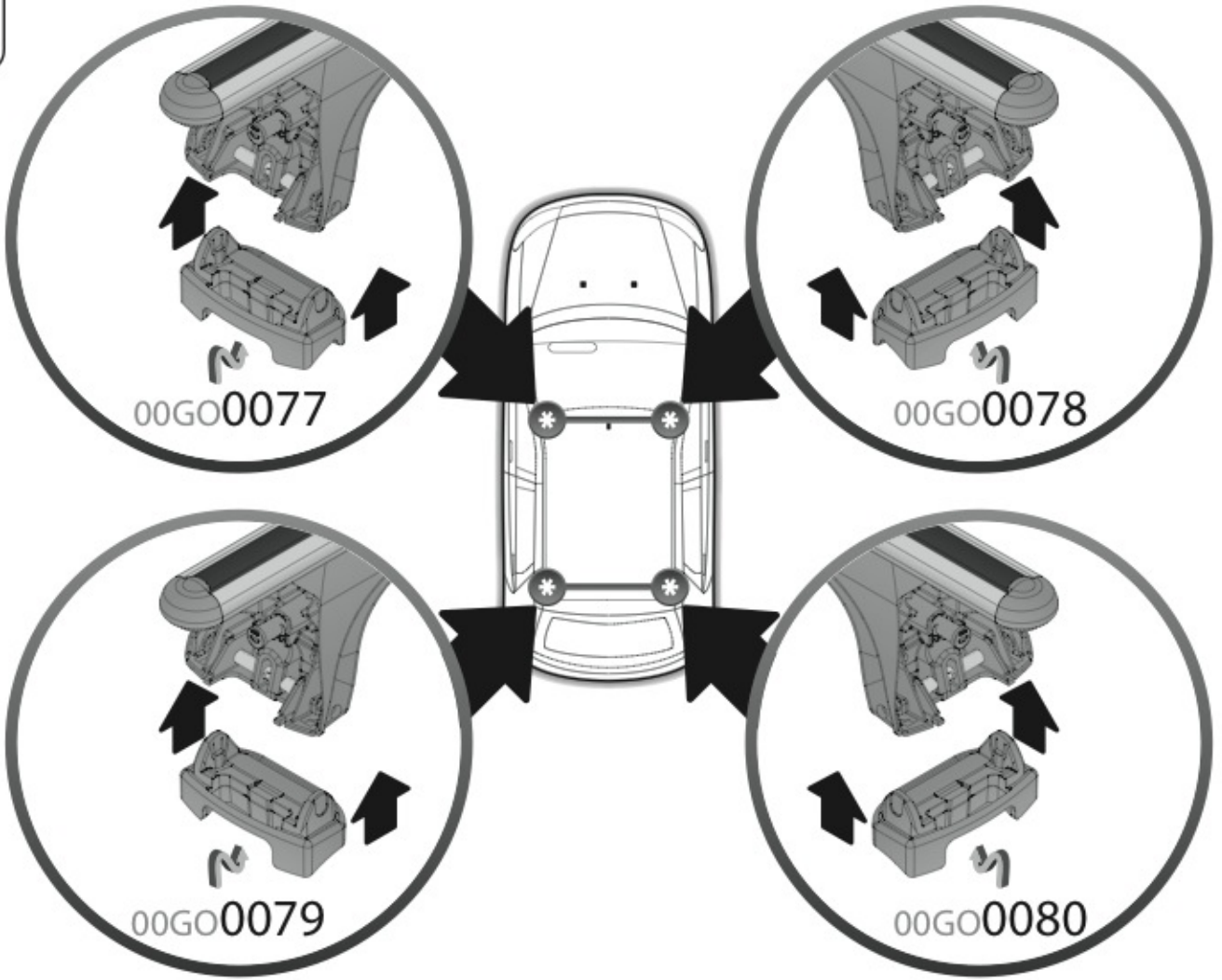


7

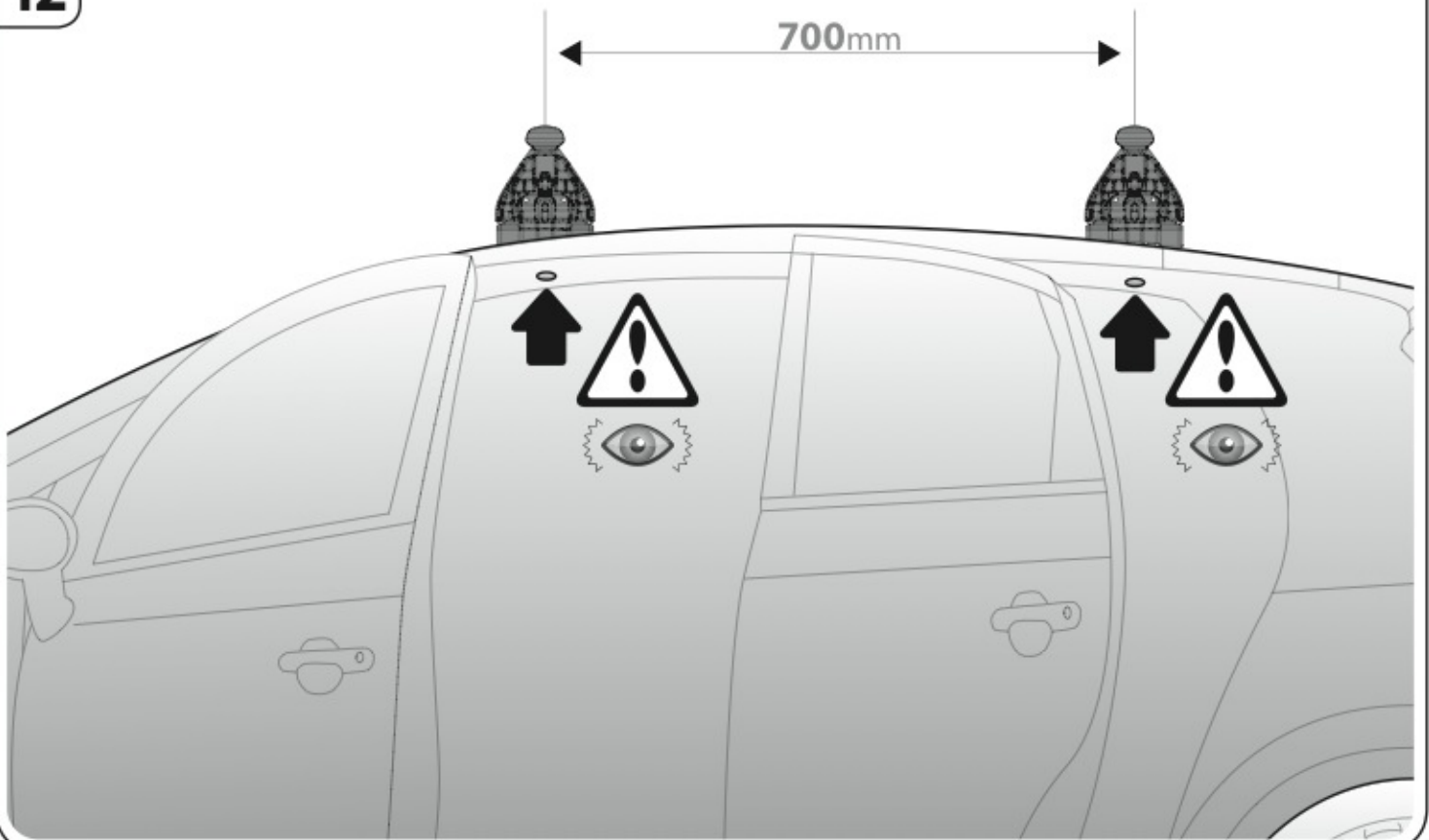




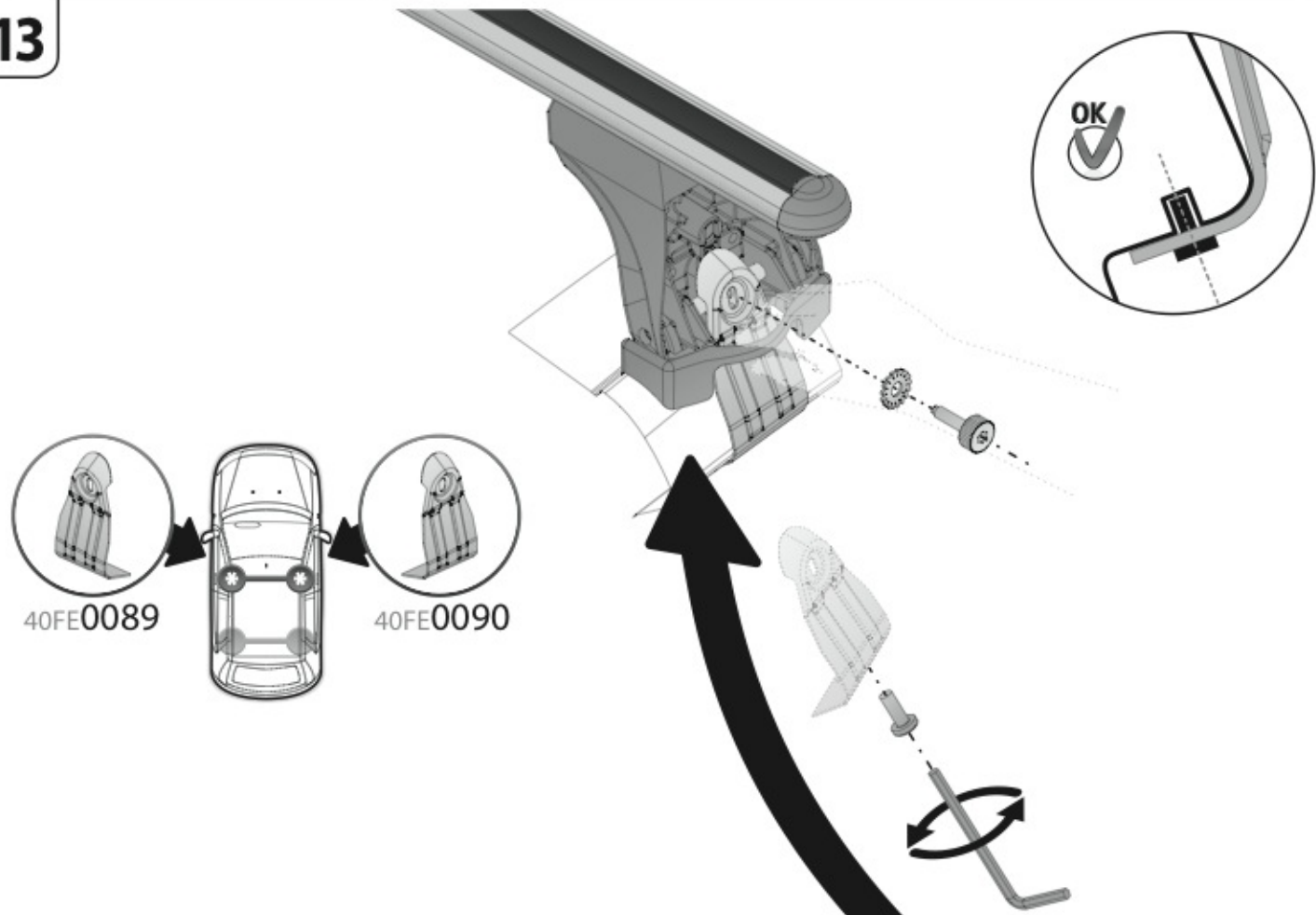
11



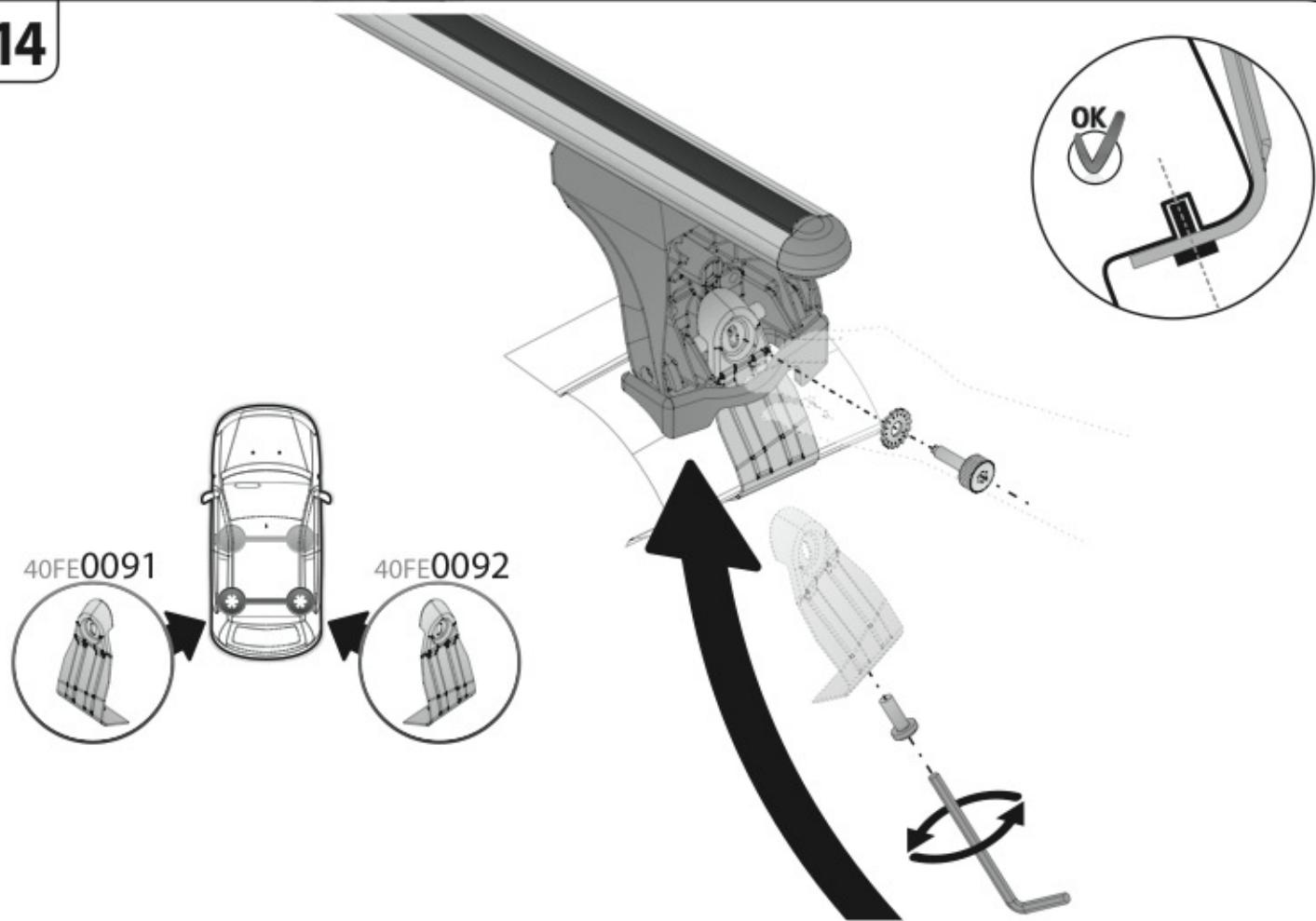
12



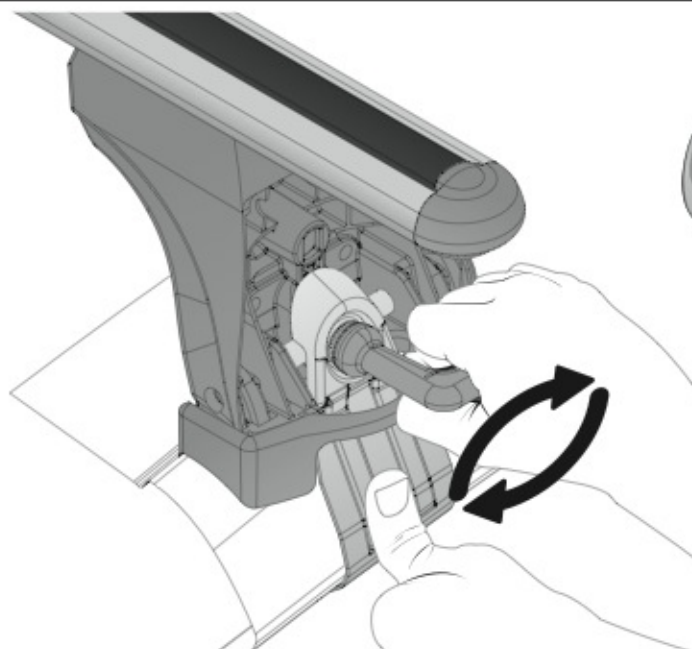
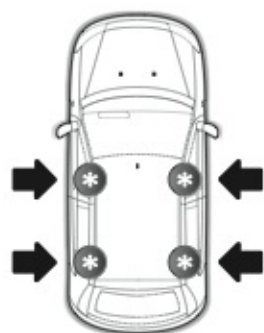
13



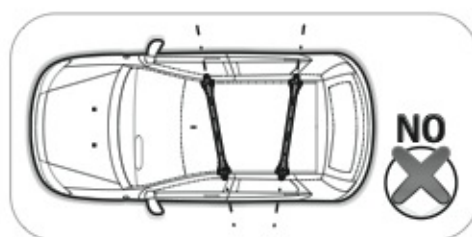
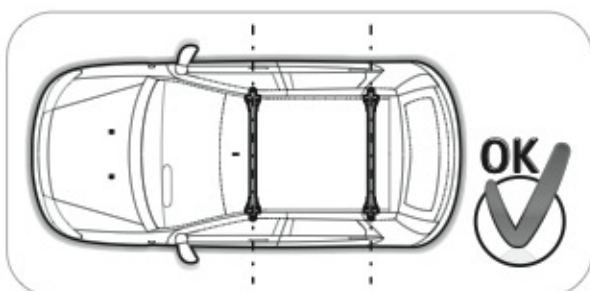
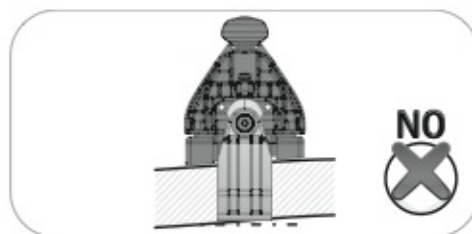
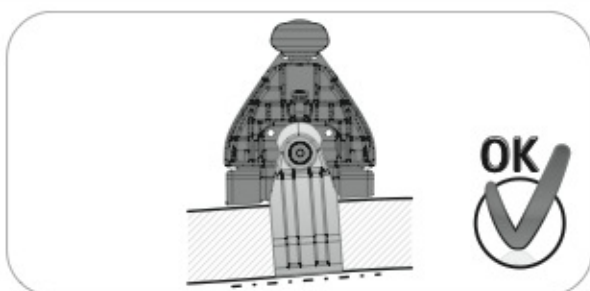
14



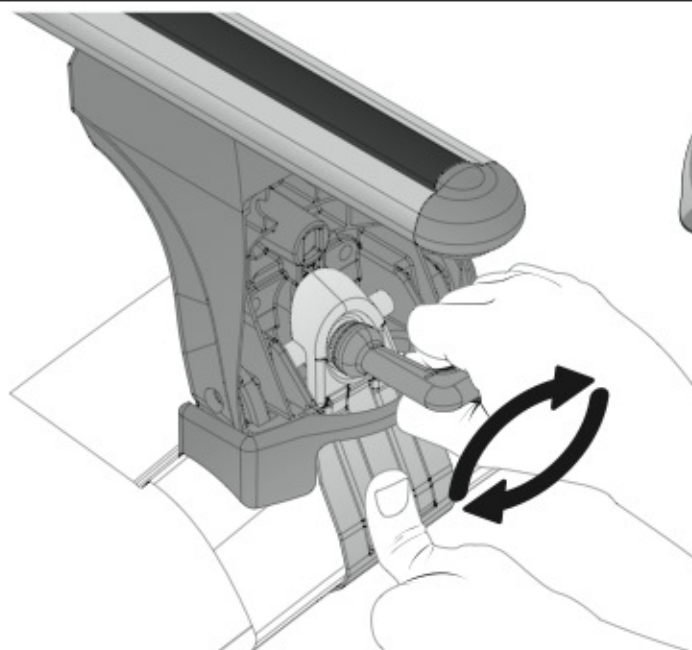
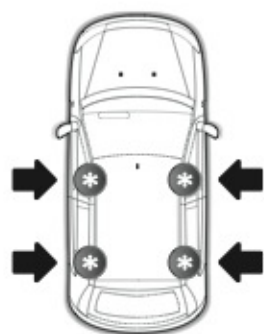
15



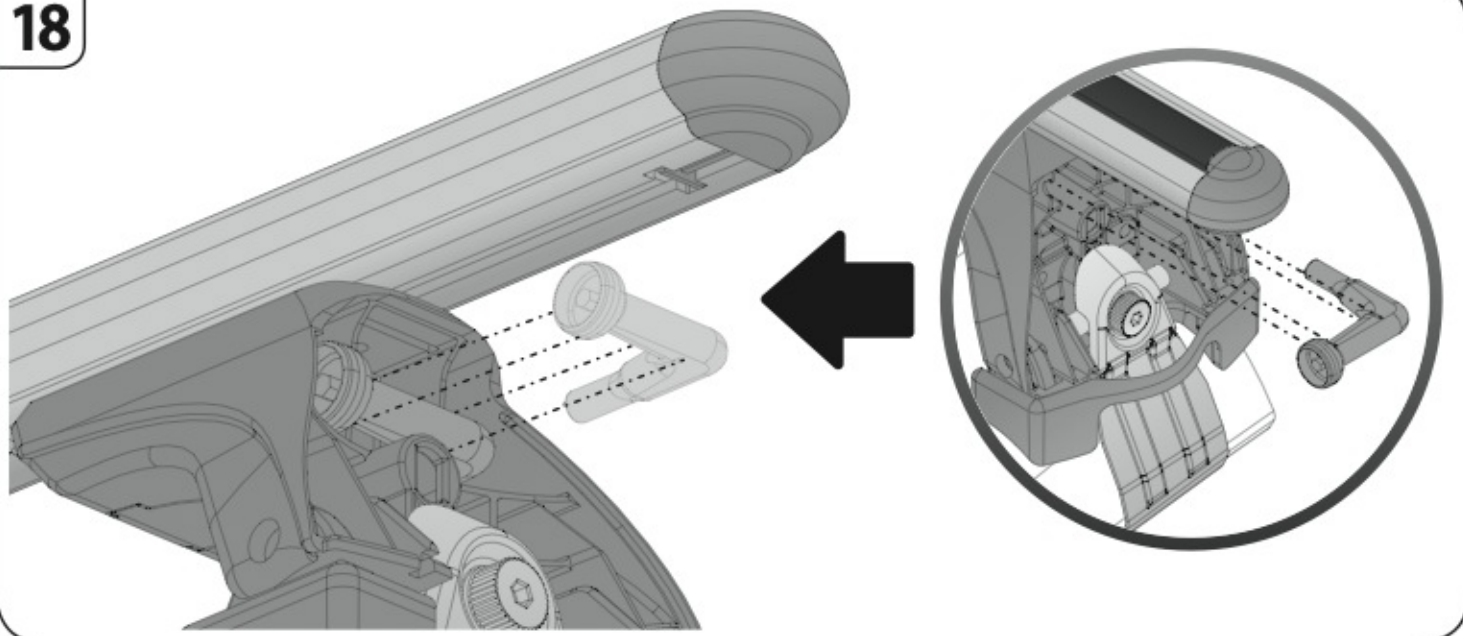
16



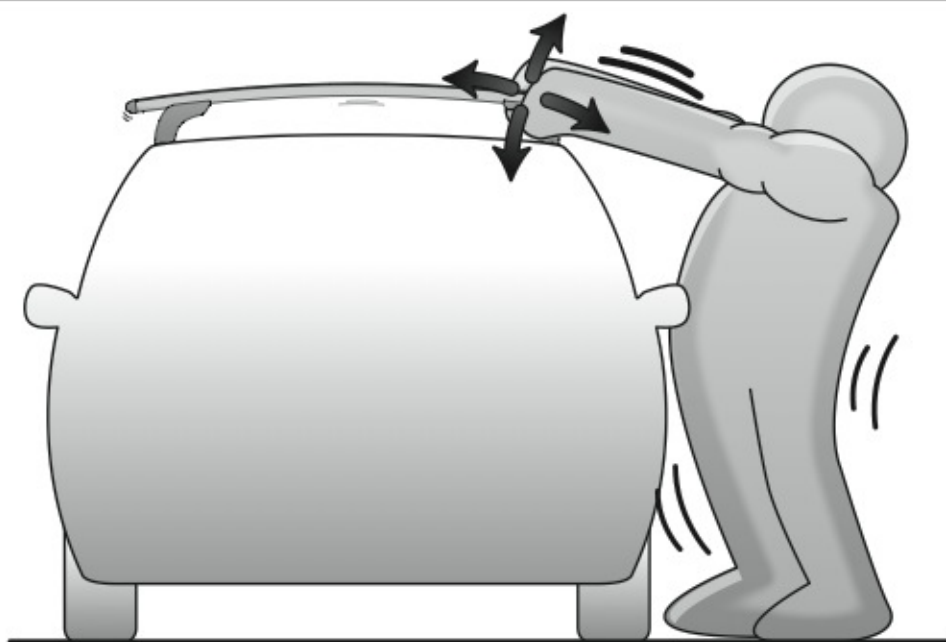
17



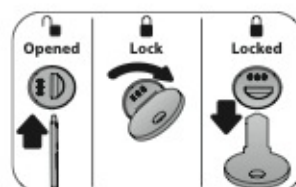
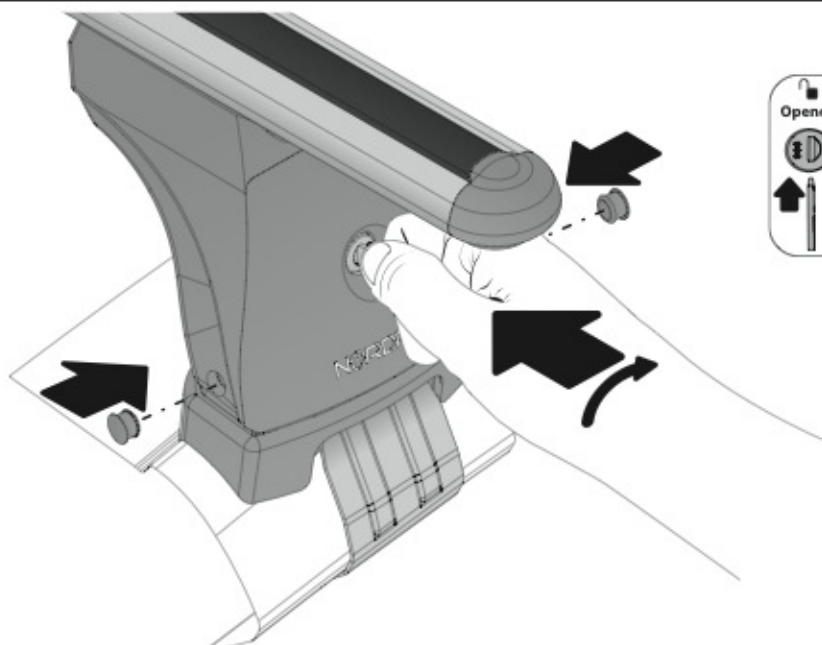
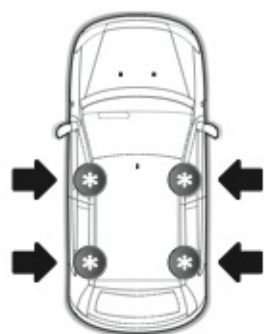
18



19



20



EVOS

EVOLUZIONE ZERO SYSTEM

NORDRIVE[®]
TRANSPORT SOLUTIONS

is a registered trade mark of

LAMPA S.p.A.

46019 Viadana (MN) ITALY

Ditta certificata UNI EN ISO 9001:2008

www.nordrive.it

www.lampa.it