

EVOS

NORDRIVE

TRANSPORT SOLUTIONS

OPEL
ASTRA H



03/04 → 12/09



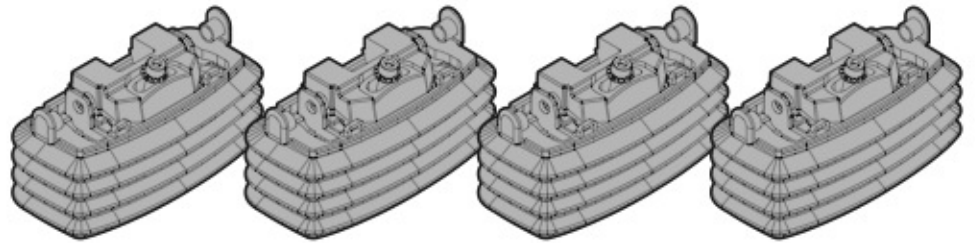
OPEL
ASTRA H
GTC



04/05 → 08/11

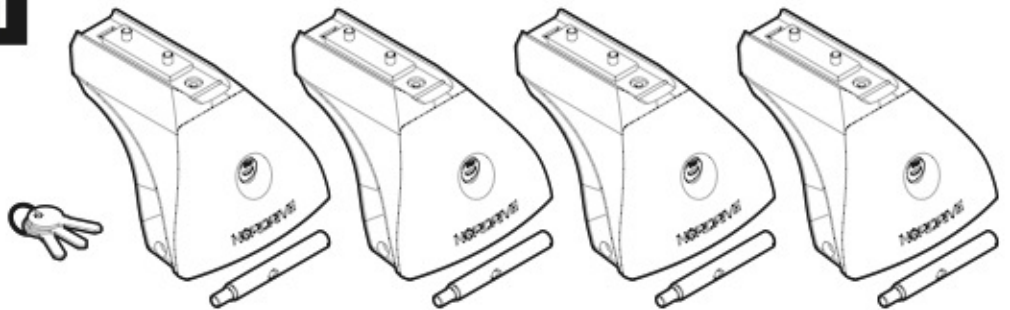


Art. N21030



+

Art. N20001



B

+

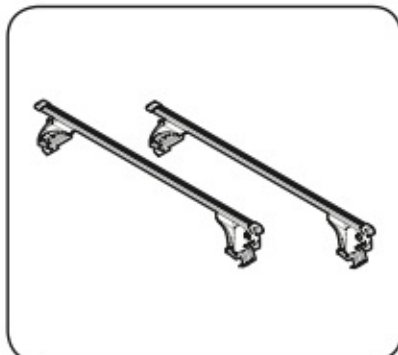
Art. N15019 **S**



A

QUADRA
ACCIAIO
Steel

=



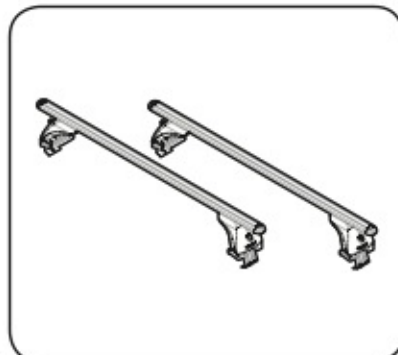
Art. N15024 **S**



A

ALUMIA
ALLUMINIO
Aluminium

=



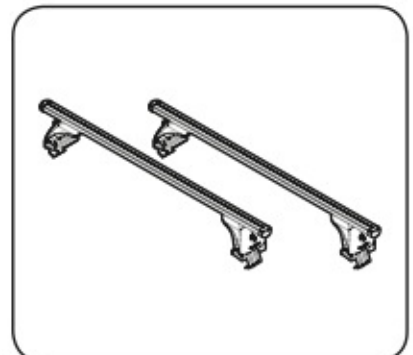
Art. N15074 **S**



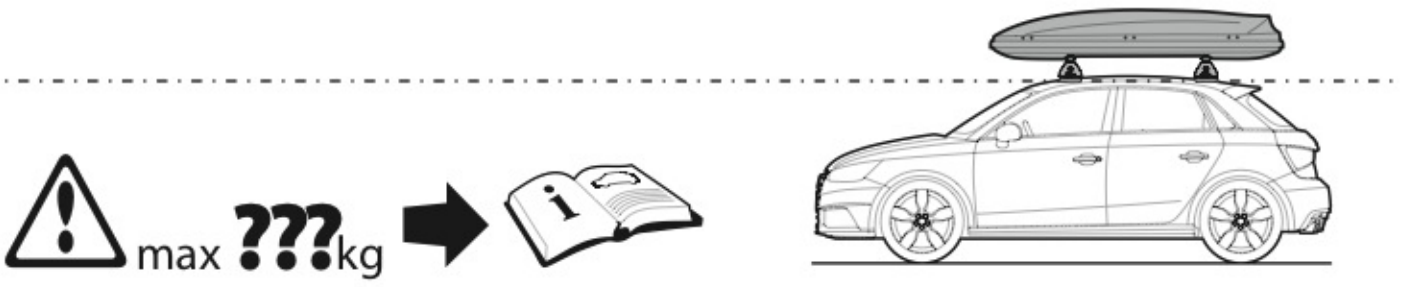
A

HELIO
ALLUMINIO
Aluminium

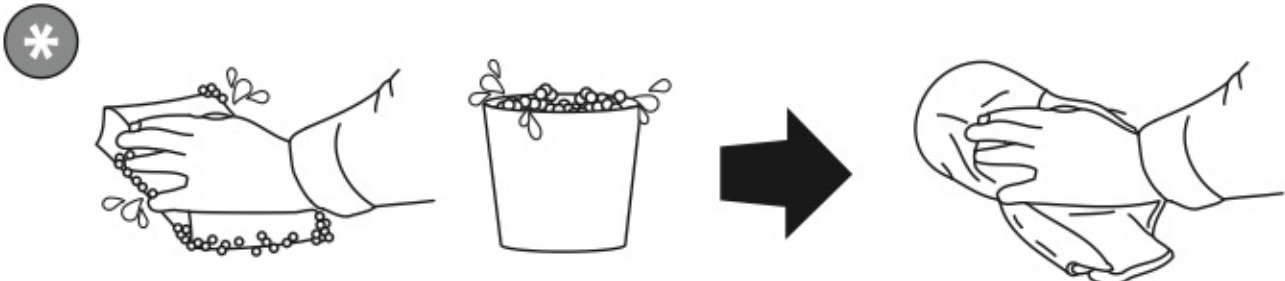
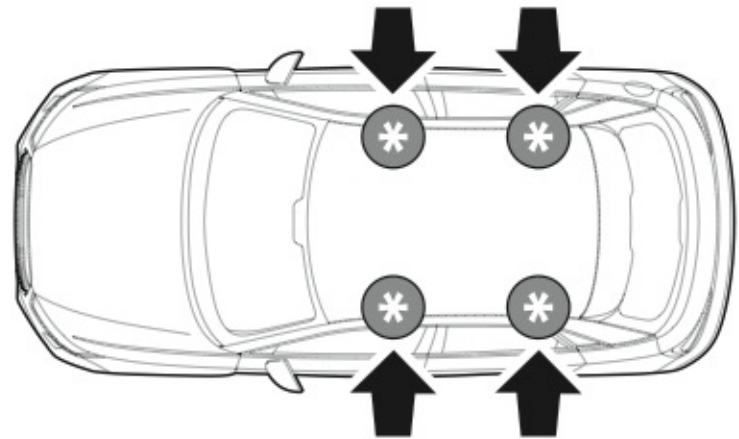
=



+
 +
 = max kg. **75**

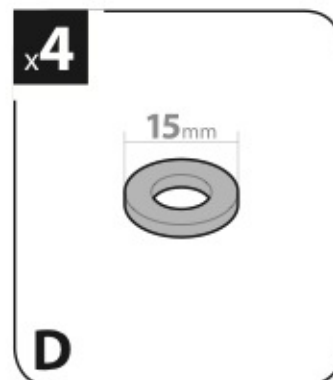
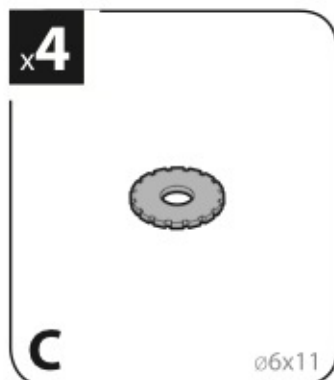
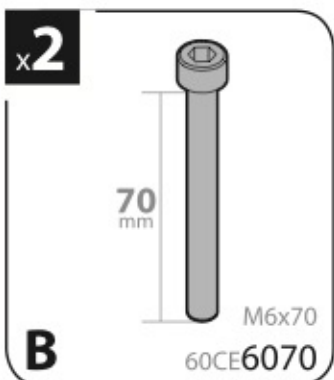
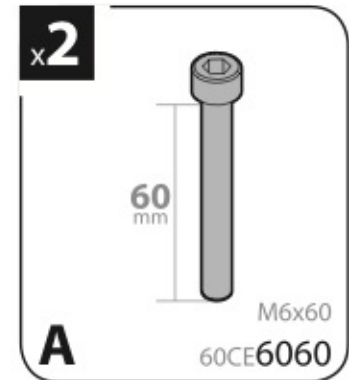
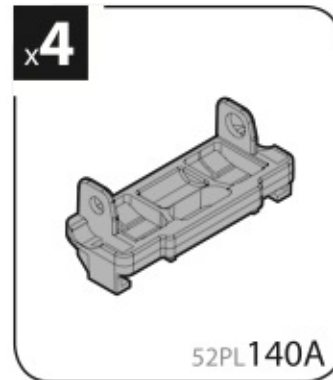
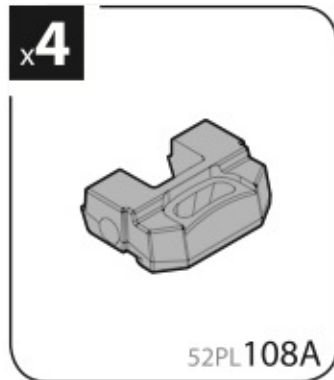
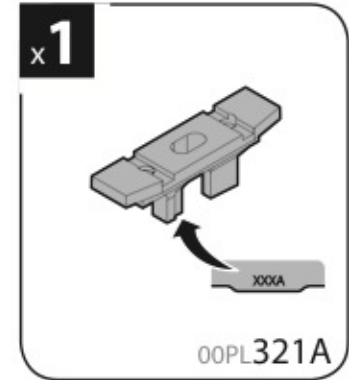
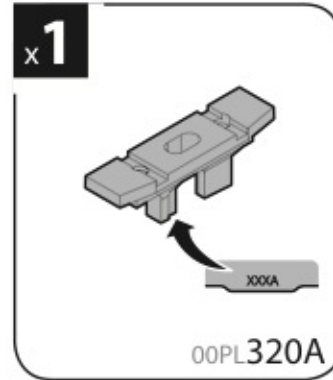
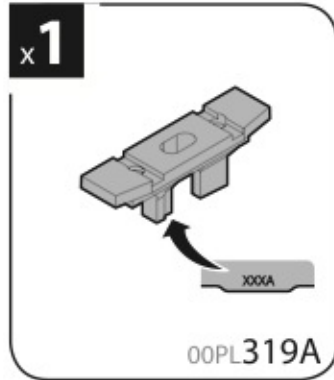
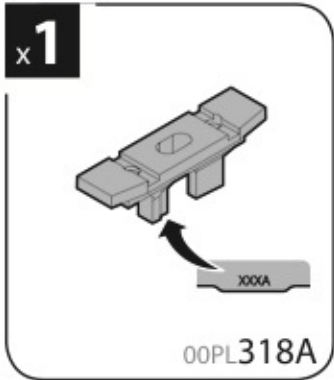


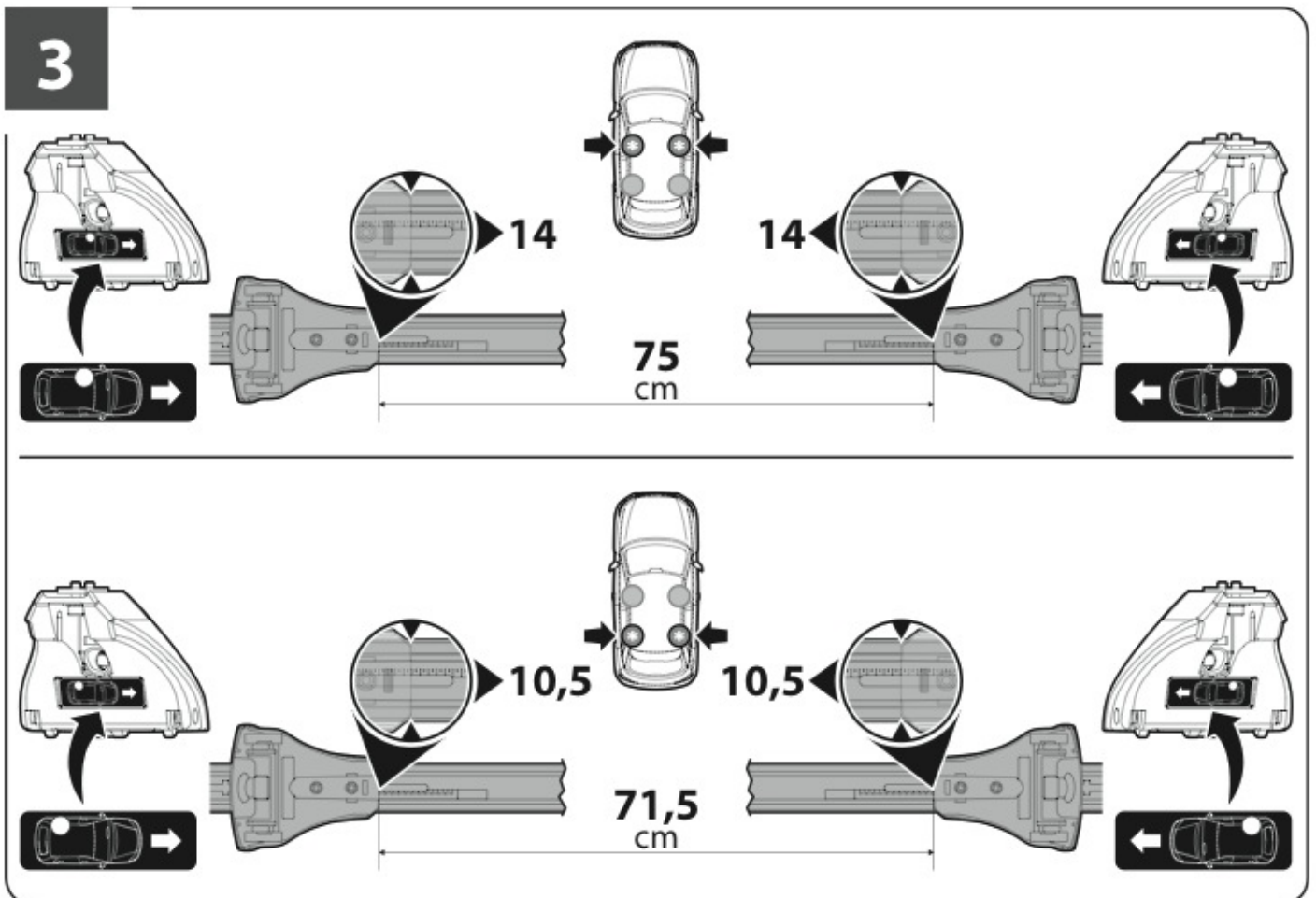
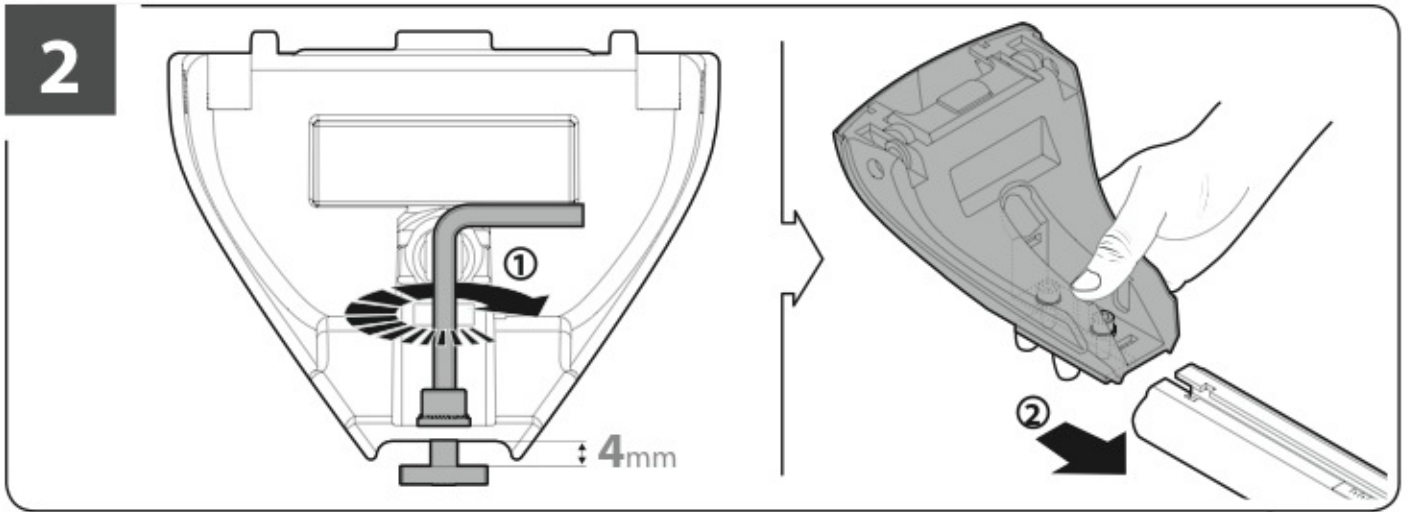
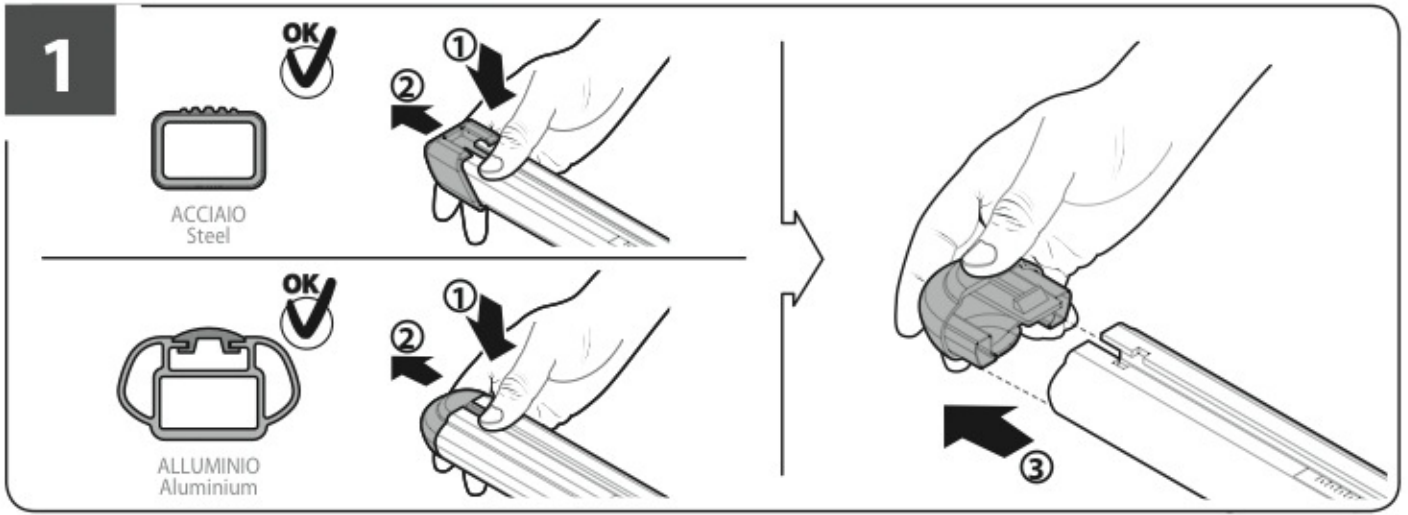
SAFETY REGULATIONS

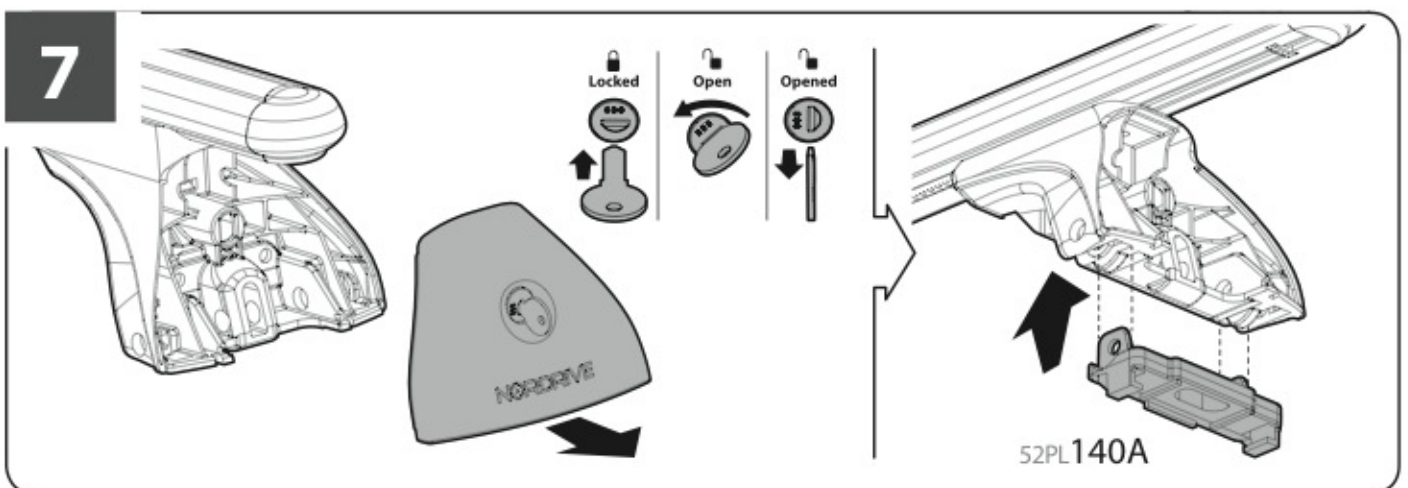
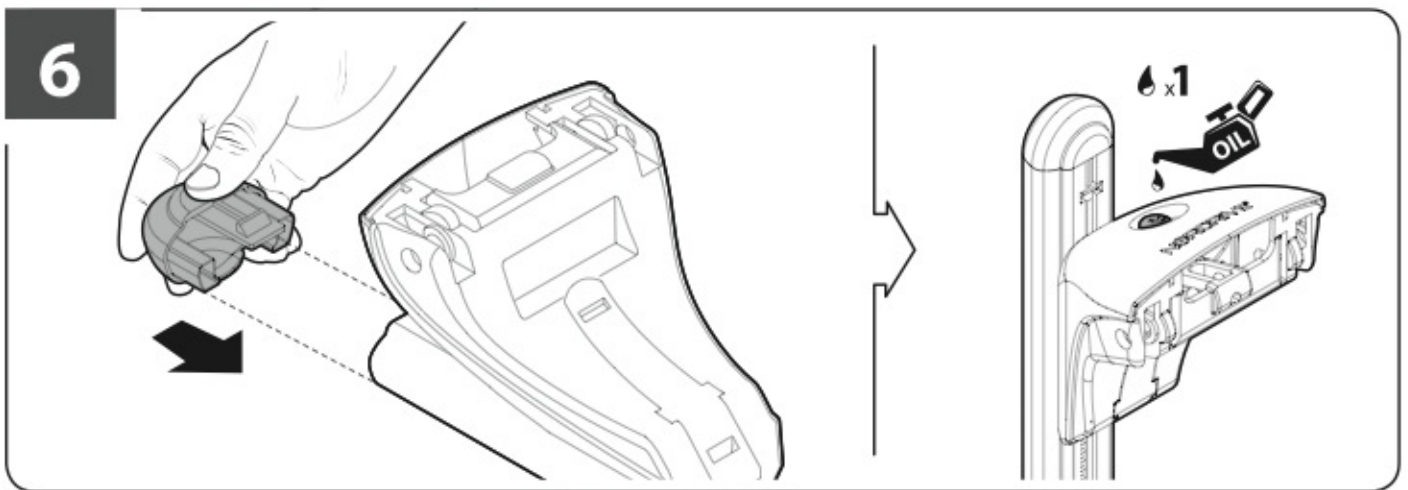
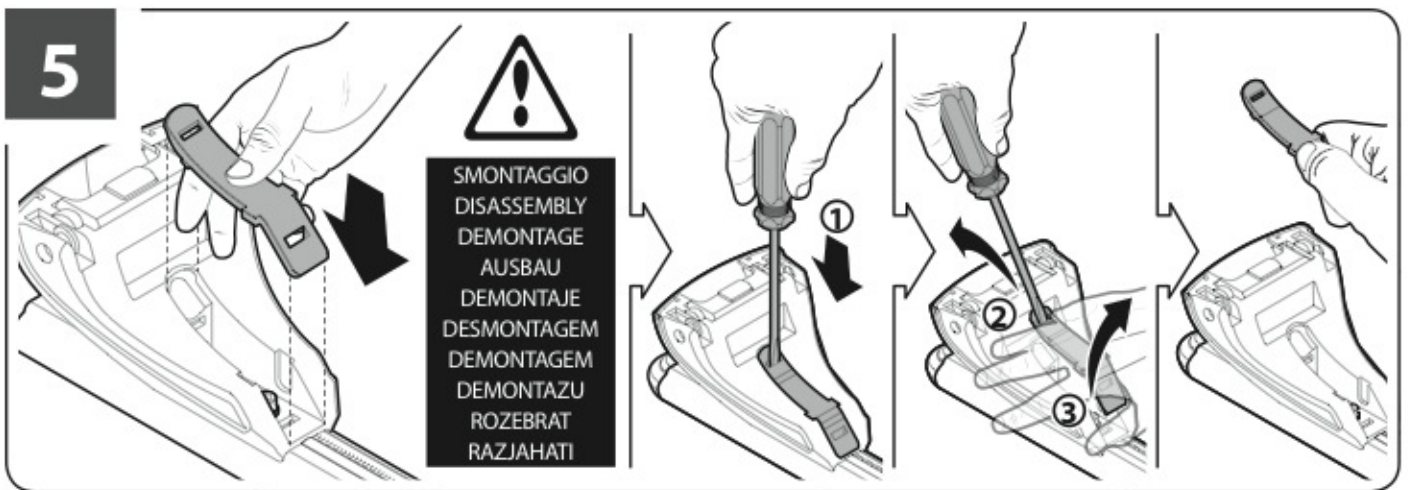
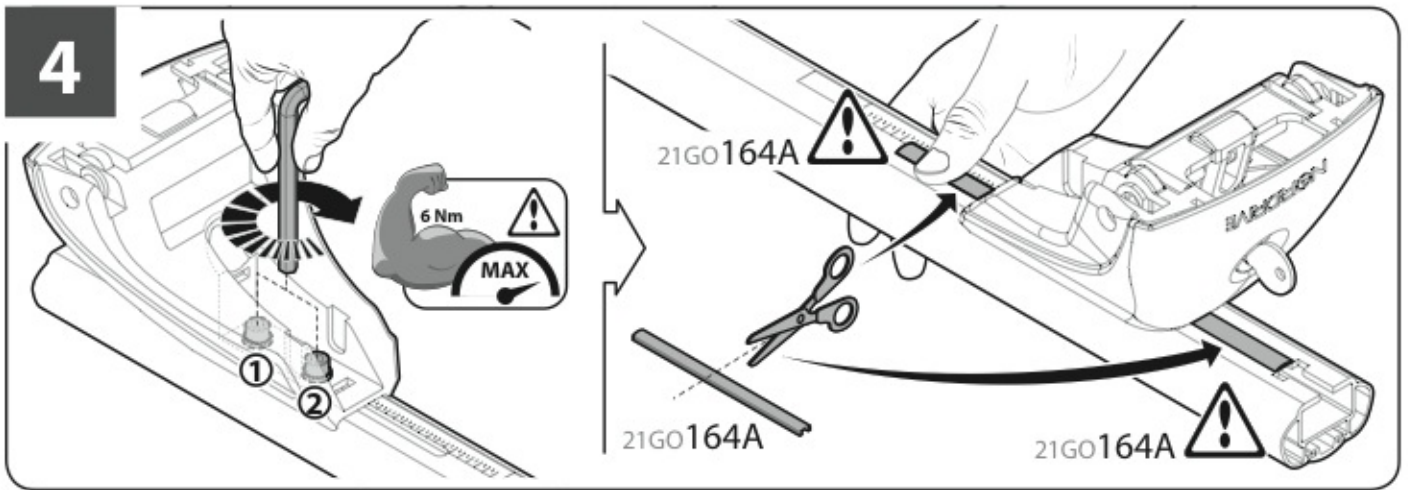


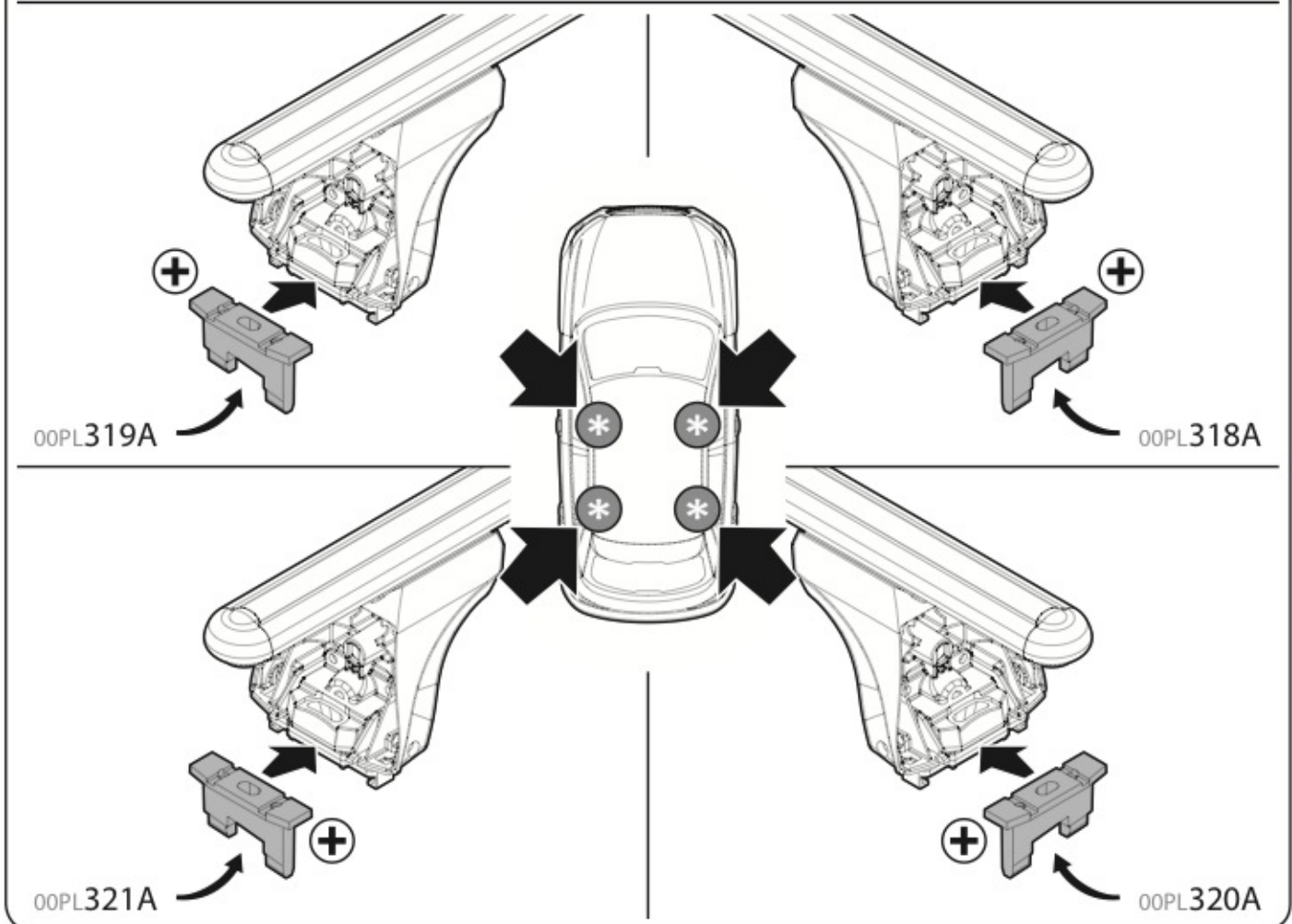
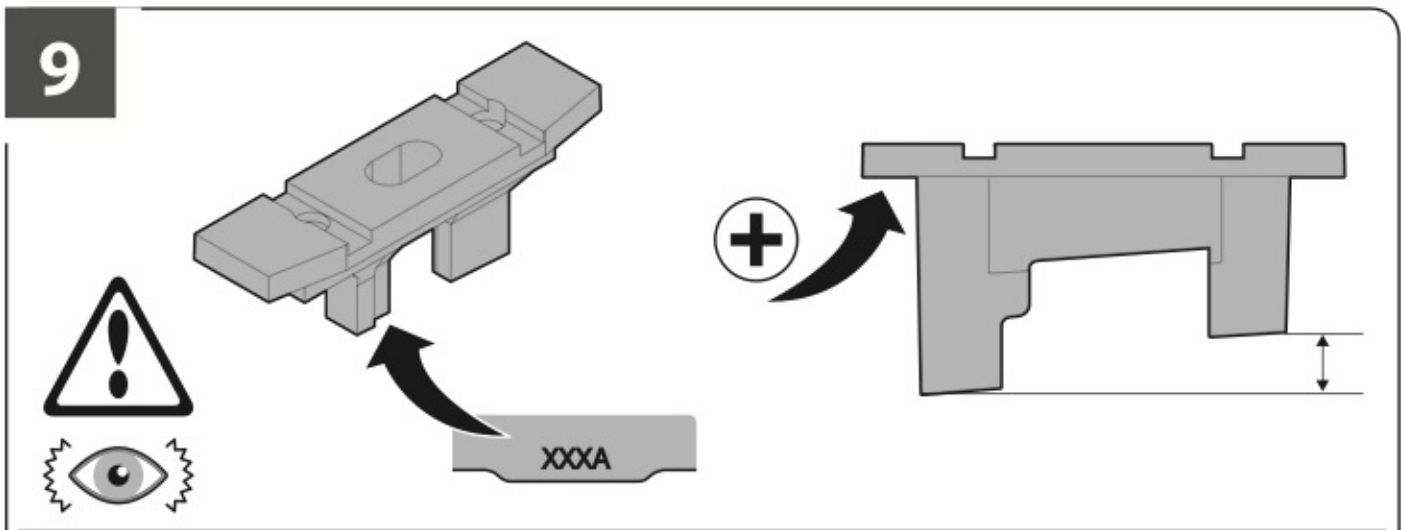
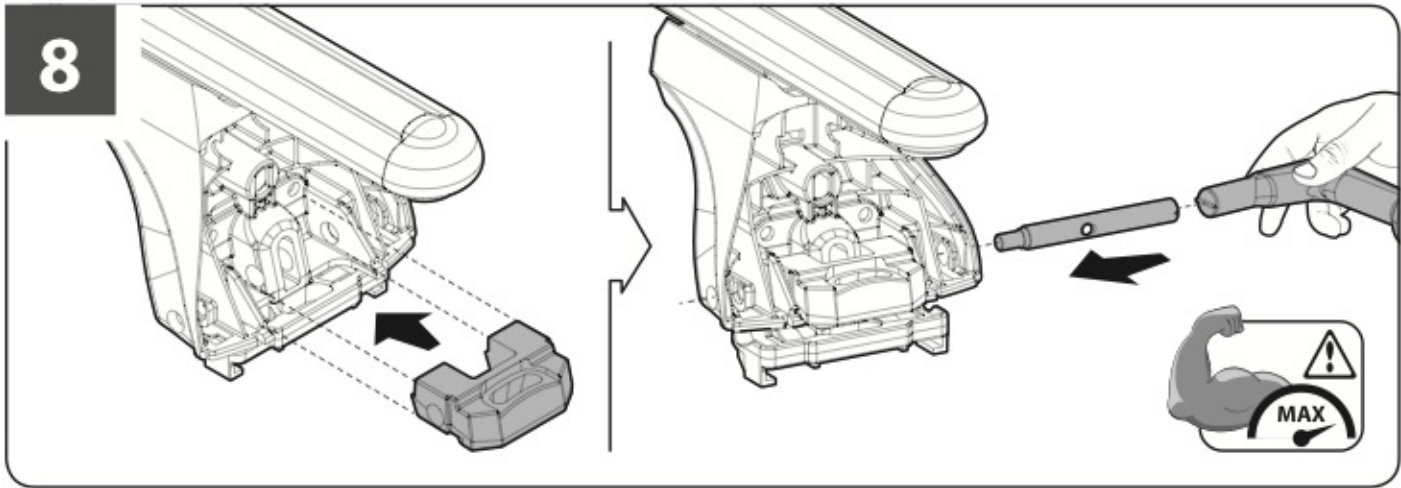


Art. N21030

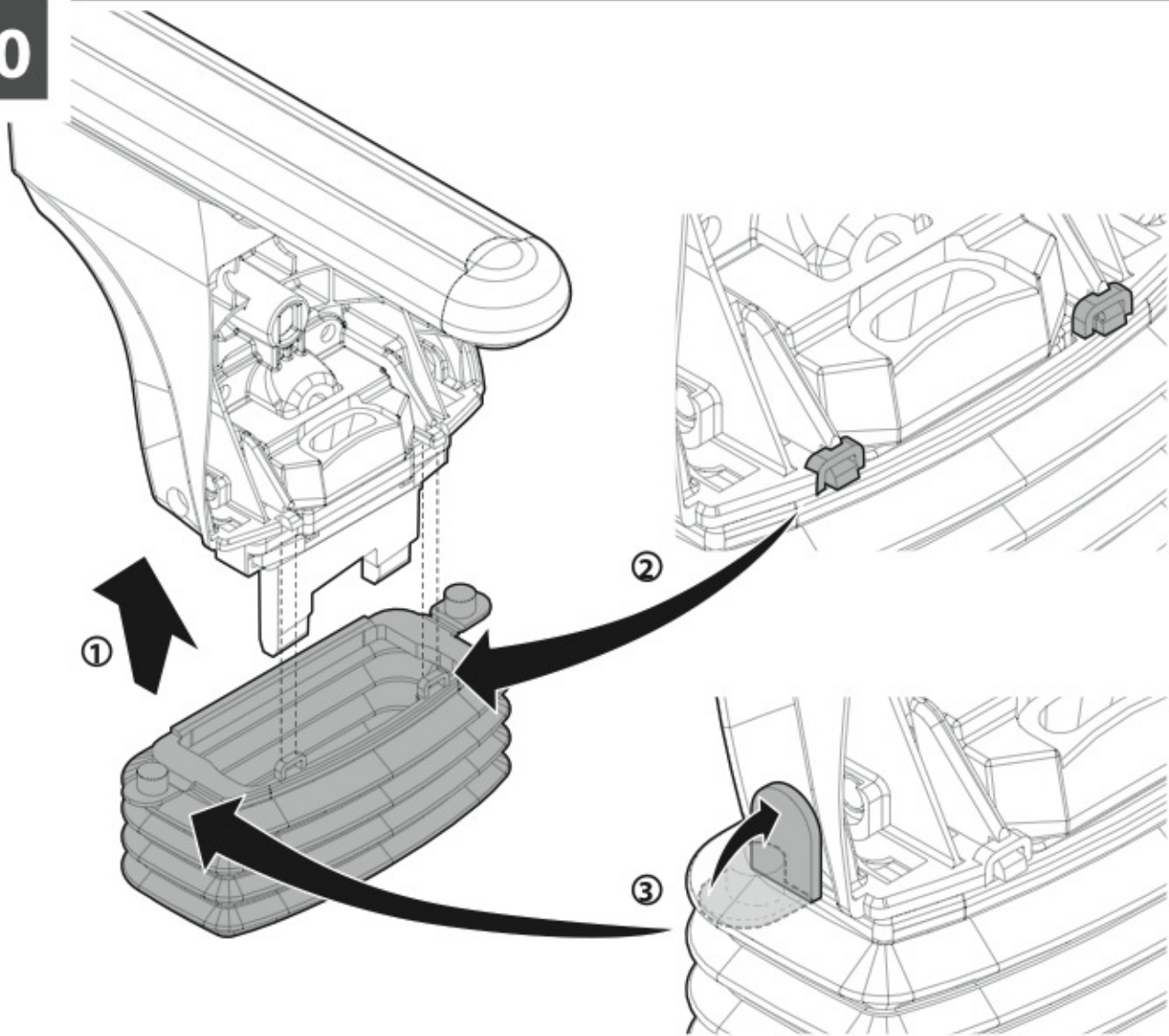




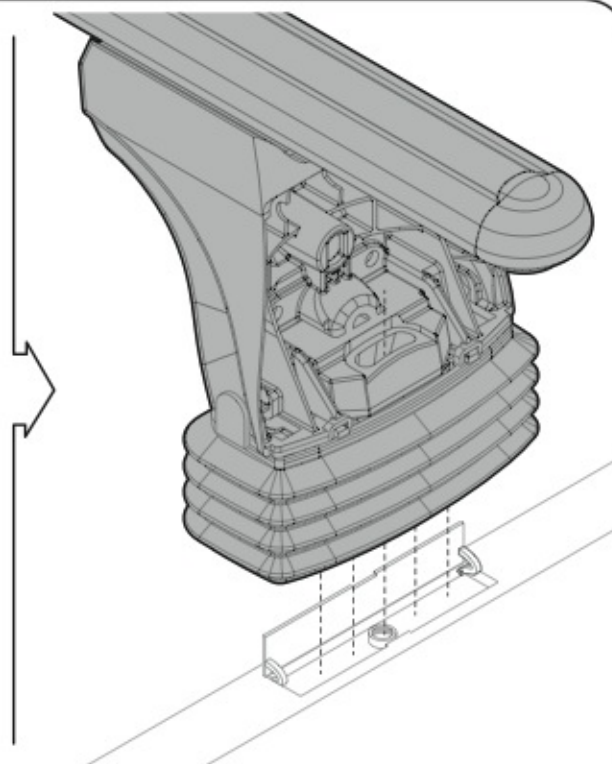
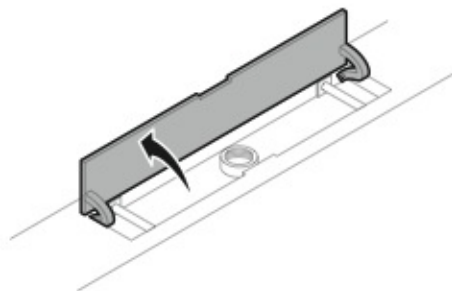
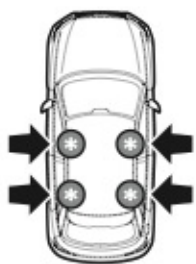




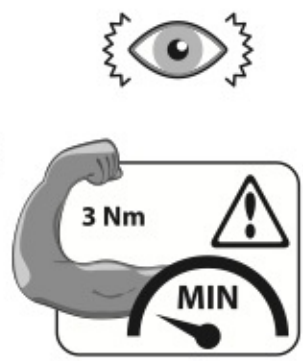
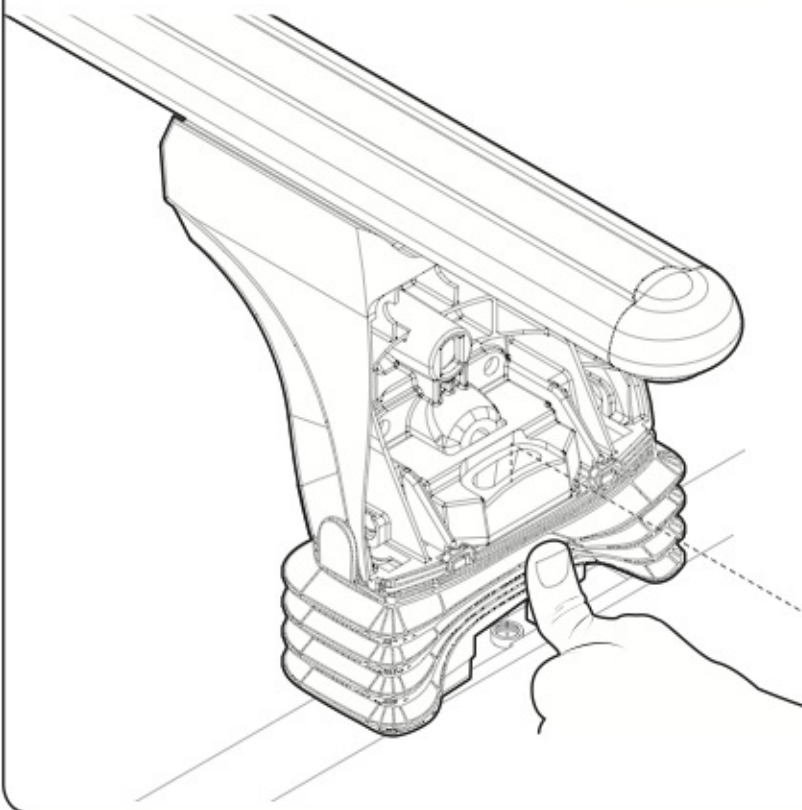
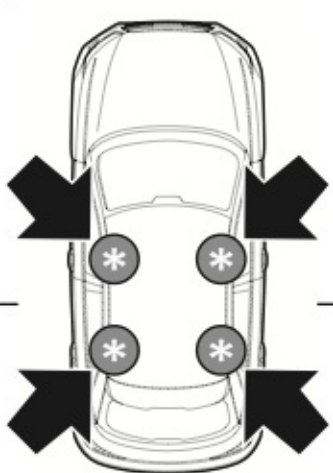
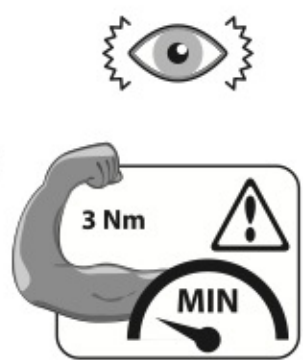
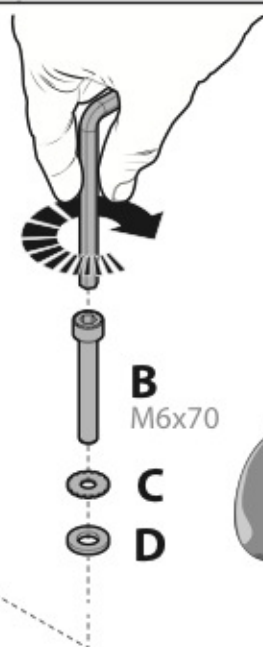
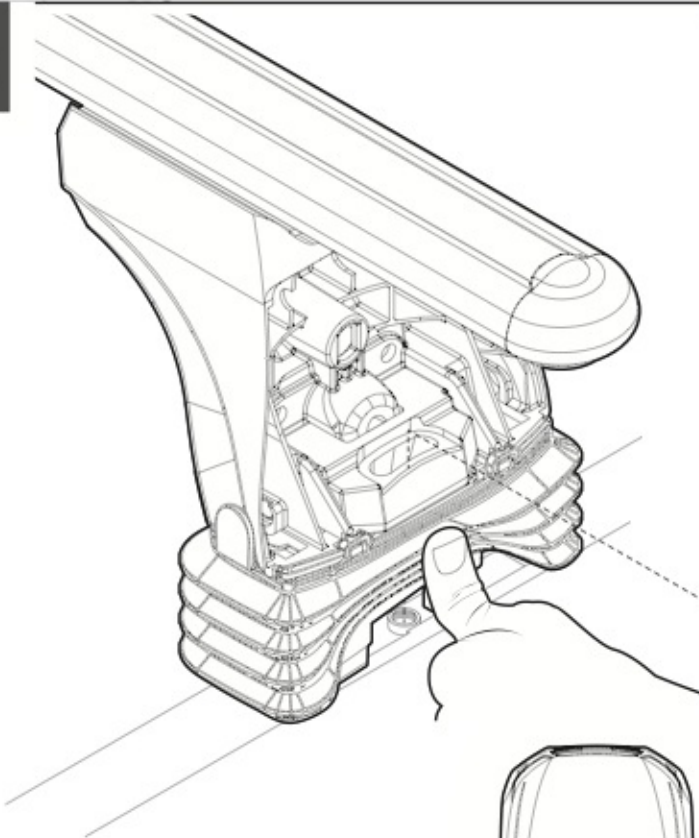
10



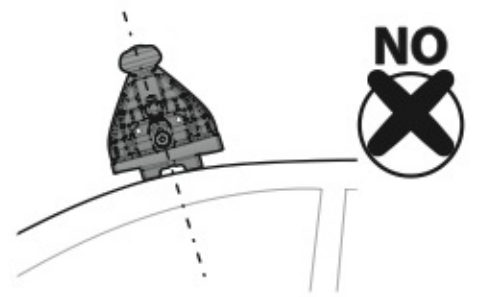
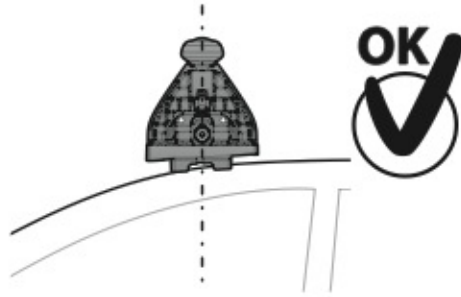
11



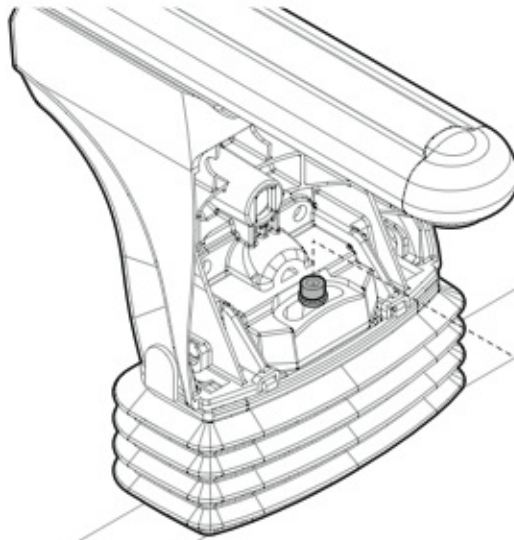
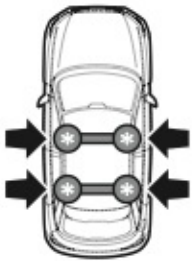
12



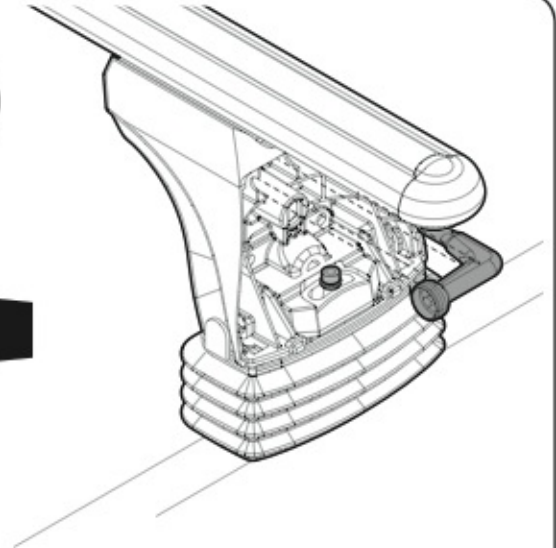
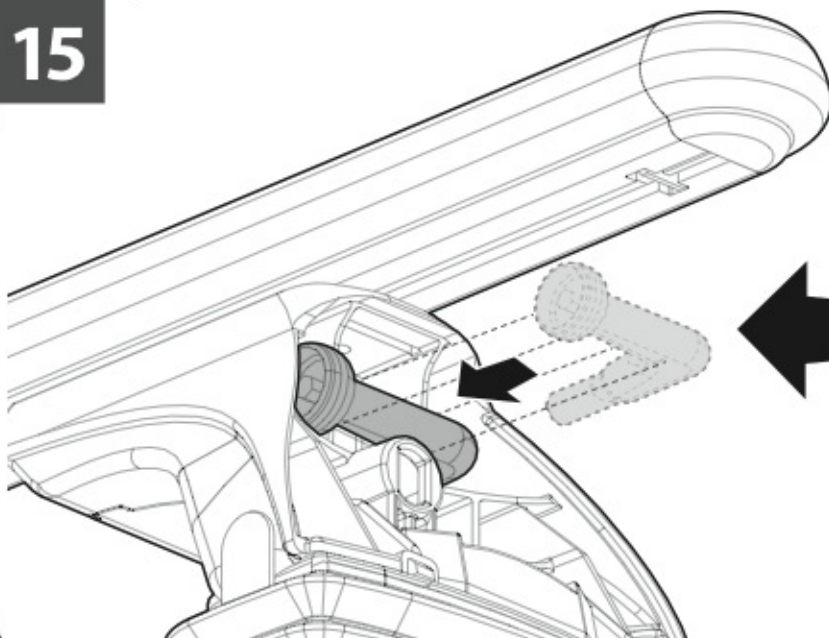
13



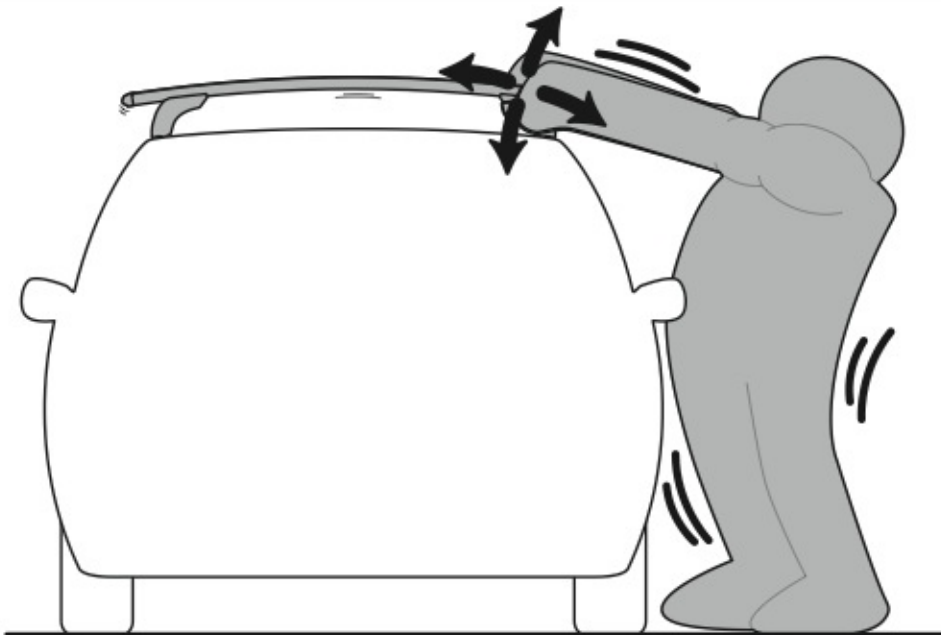
14



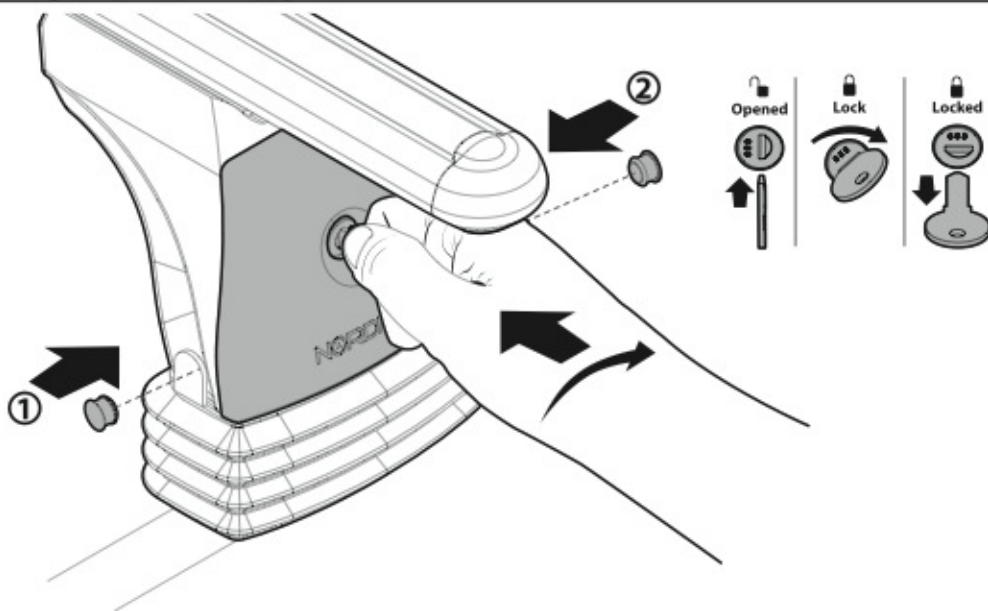
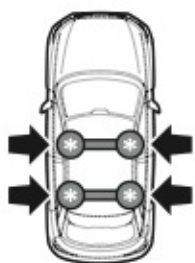
15



16



17



EVOS

NORDRIVE[®]
TRANSPORT SOLUTIONS

is a registered trade mark of

LAMPA S.p.A.

Via G. Rossa 53/55, 46019 Viadana (MN) ITALY

Tel. +39 0375 820700

UNI EN ISO 9001:2008 Certified Company

www.nordrive.it

www.lampa.it