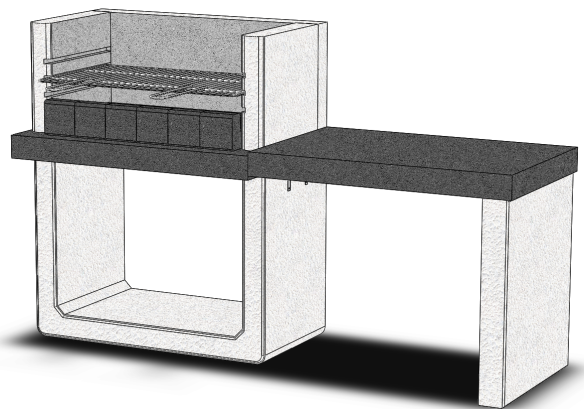




**SAROM
FUOCO**

PORTO NEW



Use Only/Utilizzare:



Charcoal/Carbonella



Wood/Legna

Sarom Code/Codice SAROM:	001061
EAN Code/Codice EAN :	8023034041681
BBQ Size/Ingombro BBQ :	1600x515x968 mm
Net Weight/Peso Netto :	259 Kg
Gross Weight/Peso Lordo :	268 Kg
Envelope/Dim.Imballo :	N°4-820x600x890 mm
Pallet :	820x600 mm

Versions/Versioni Montate:

B	BIANCO	Code: 001061B - EAN: 8023034041698 Dim.: 1600x600x1118 - Pall.: 1600x600
N	NATURALE	Code: ...N - EAN: ... Dim.: ... - Pall.: ...

COMPONENTS INCLUDED/COMPONENTI INCLUSI:

DC0001



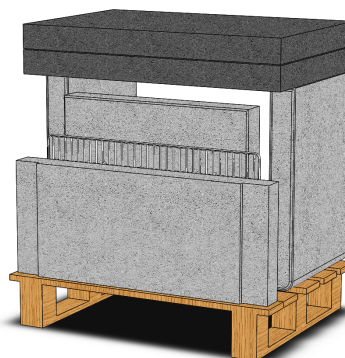
GRIGLIA

DC0134

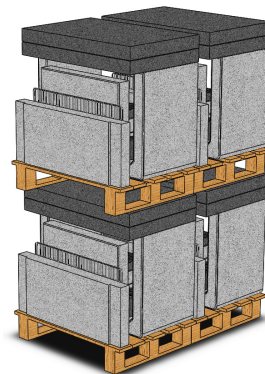


SQUADRETTE ANGOLO

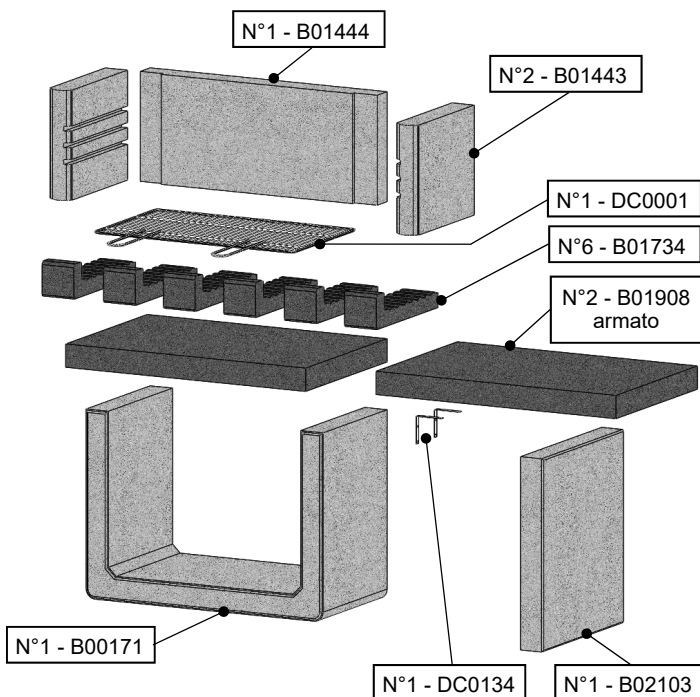
Details Envelope/Dettaglio imballo:



imballato x 4Pz : 820x1200x1780 - 1072Kg



EXPLODED VIEW/VISTA ESPLOSA:



FRONT VIEW, SIDE VIEW/VISTA FRONTE, LATO, SEZIONE:

