

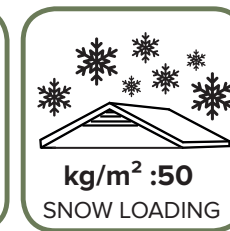
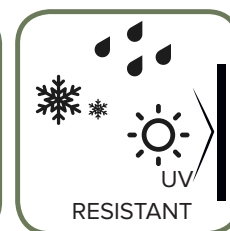
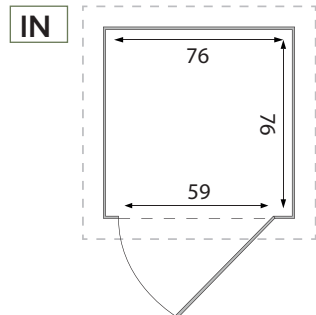
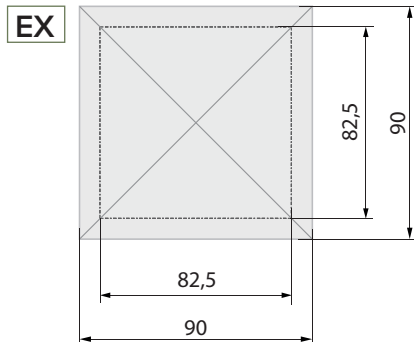
# DATA SHEET / SCHEDA TECNICA

URBAN 80 PAGODA

COD: V48.04.005

COD. EAN 8032605800060

m<sup>2</sup> 0,81



	ROOF <b>ASA</b>	STRUCTURE <b>PVC</b>	FLOOR <b>WPC</b>	DOOR <b>PVC</b>	PANEL <b>PVC</b>
	ROOF AREA w: 90 d: 90	EX w: 82,5 d: 82,5 h: 198  IN w: 76 d: 76 h: 177	DIM. 1 TILE w: 40 d: 40 h: 4,5	w: 59 th: 2 h: 173	th: 2
	color: grey ral_2998	color: grey ral_7035			
	n.box/item: 1 box size: 1: 91,5x23,5x182 weight: 45 kg pz/pallet: 5 pallet max size: 120x100x197				UNIT OF MEASURE: CM