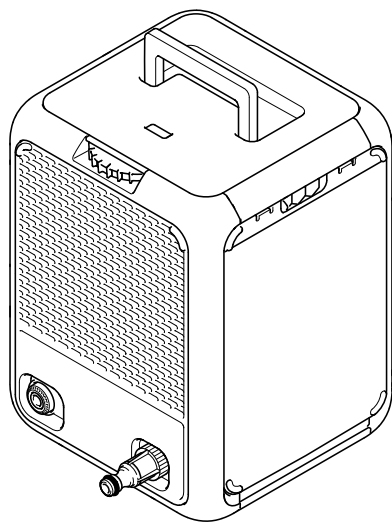




ARXP

ARXP BOX3 150LHT



cod. 96607 Rev00_02022023 - BG

High pressure washer
Original instructions

Idropulitrice alta pressione
Istruzioni originali

Водоструйна машина
Превод на оригиналните инструкции

Vysokotlaký čistič
Překlad originálního návodu

Højtryksrensér
Oversættelse af den originale brugsanvisning

Hochdruckreiniger
Übersetzung der Originalanleitung

Πυστικό μηχανήμα υψηλής πίεσης
Μετάφραση των γνήσιων οδηγιών

Hidrolimpiadora de alta presión
Traducción de las instrucciones originales

Kõrgsurvepesur
Originaaljuhendi tõlge

Korkeapainepesuri
Alkuperäisten ohjeiden käännös

Nettoyeur haute pression
Traduction des instructions originales

Visokotlačni uređaj za pranje
Prijevod izvorne upute

Nagynyomású tisztítóberendezés
Az eredeti utasítások fordítása

Aukšto slėgio plautuvas
Originalių instrukcijų vertimas

Augstspiediena mazgātājs
Orģinālās rokasgrāmatas tulkojums

Hogedrukreiniger
Vertaling van de originele gebruiksaanwijzing

Høytrykksvasker
Oversettelse av den originale bruksanvisningen

Myjka ciśnieniowa
Tłumaczenie oryginalu instrukcji

Lavadora a alta pressão
Tradução das instruções originais

Aparat de spălat cu înaltă presiune
Traducerea instrucțiunilor originale

Моечная машина высокого давления
Перевод оригинальных инструкций

Vysokotlakový čistič
Překlad původního návodu

Visokotlačni čistilec
Prevod izvirnih navodil

Högtryckstvätt
Översättning av bruksanvisning i original

Yüksek basınçlı yıkama makinesi
Orijinal talimatların tercümesi

Мийка високого тиску
Переклад ориģинальна инструкция

EN

IT

BG

CS

DA

DE

EL

ES

ET

FI

FR

HR

HU

LT

LV

NL

NO

PL

PT

RO

RU

SK

SL

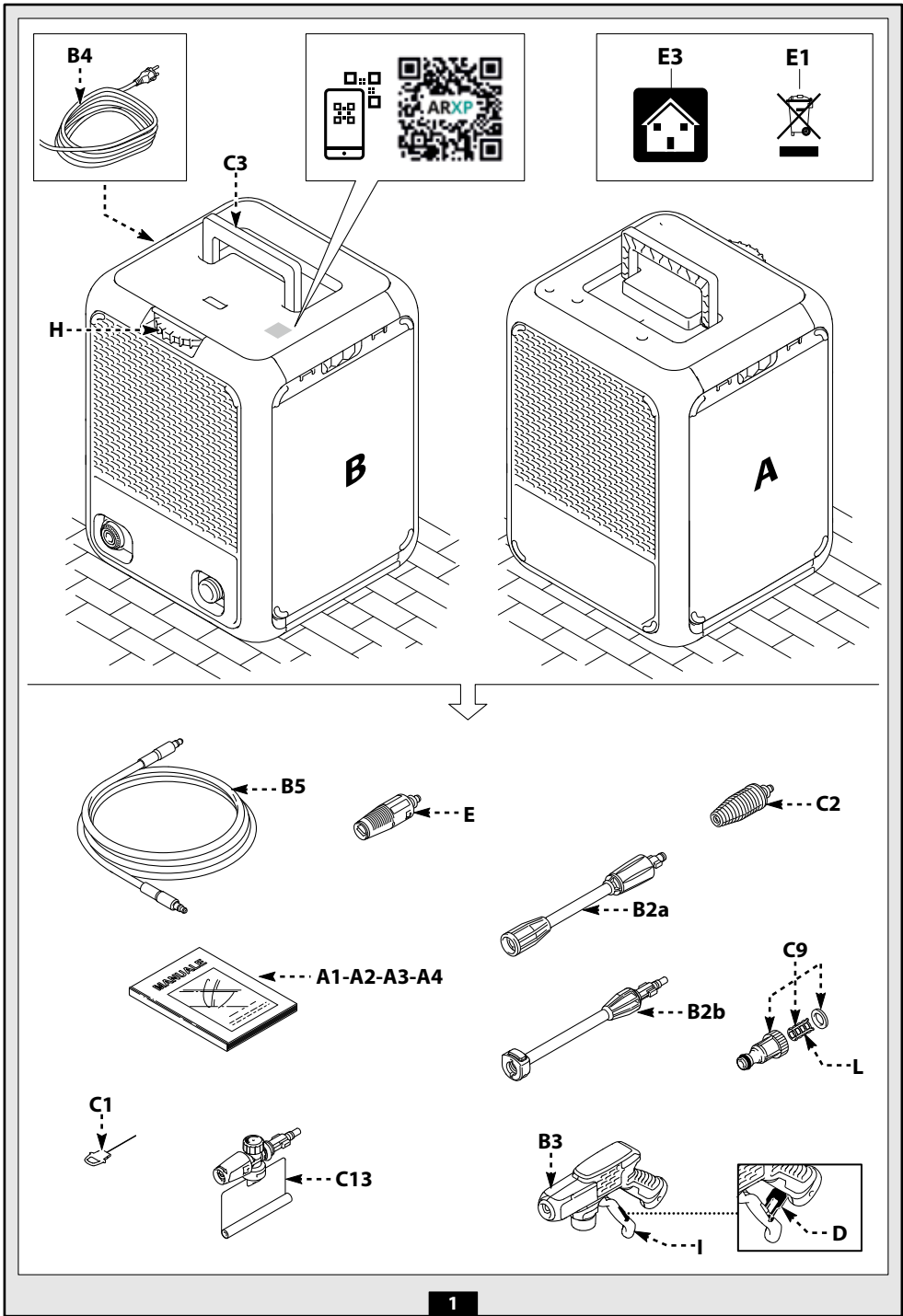
SV

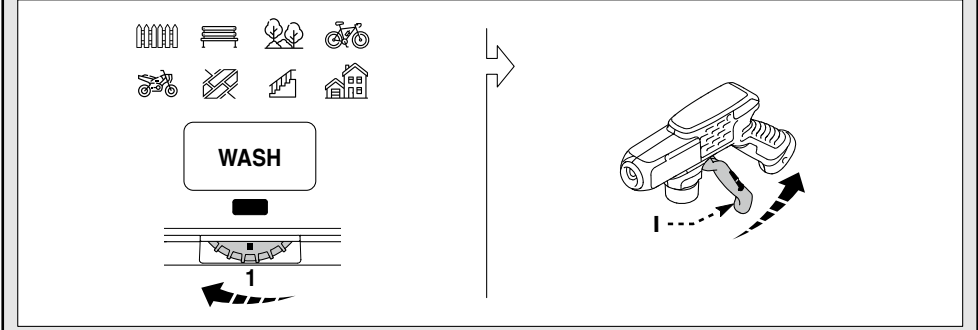
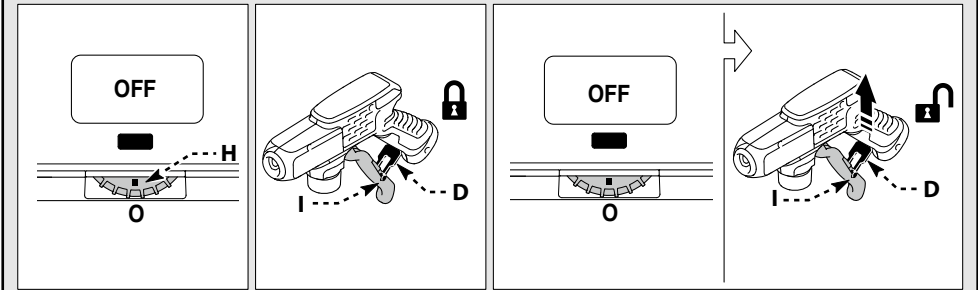
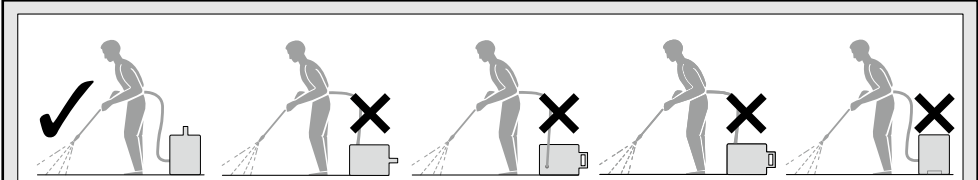
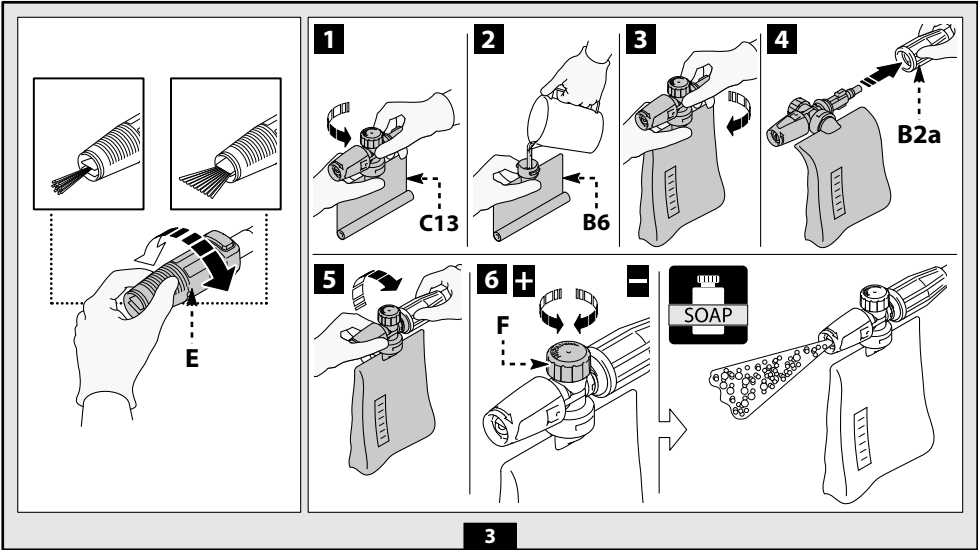
TR

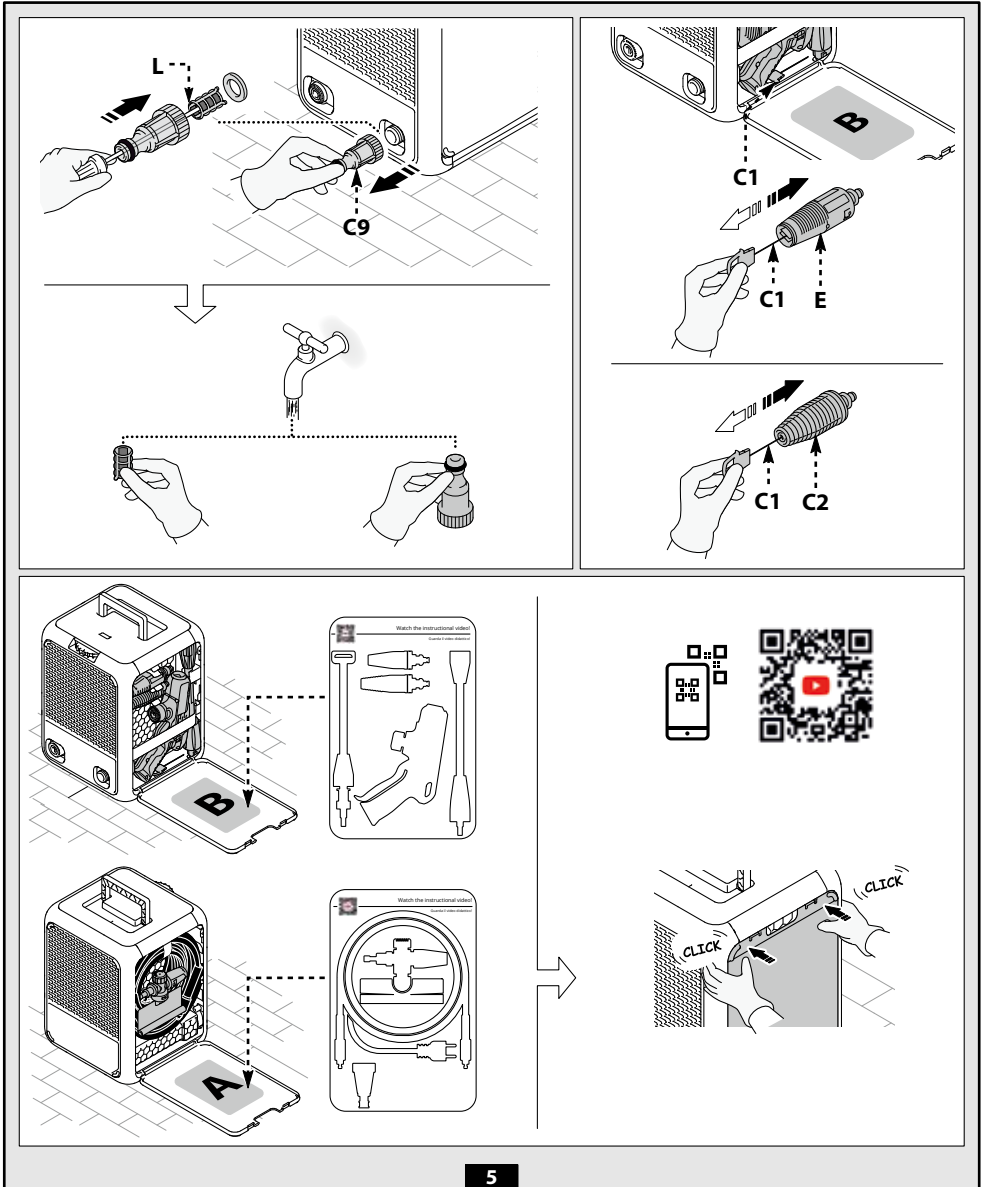
UK

EN	Please read these instructions carefully before use. Please retain these instructions for future reference. In case of problems or difficulties, please contact the consumer helpline: support@annovireverberi.it	Page: 7-15
IT	Leggere attentamente queste istruzioni prima dell'uso. Conservare queste istruzioni per future consultazioni. In caso di problemi o difficoltà, contattate l'helpline consumatori: support@annovireverberi.it	Pagina: 16-25
BG	Прочетете внимателно тези указания преди употреба. Запазете тези указания за справка. При проблеми или затруднения се обърнете към отдела за обслужване на клиенти: support@annovireverberi.it	Страница: 26-34
CS	Před použitím si pozorně přečtěte tento návod. Laskavě si uložte tento návod pro budoucí použití. V případě jakýchkoli problémů nebo potíží laskavě kontaktujte linku pomoci zákazníkům: support@annovireverberi.it	Strana: 35-43
DA	Læs disse instruktioner omhyggeligt inden brug. Opbevar disse instruktioner til senere brug. Kontakt kundeservicetelefonen i tilfælde af problemer eller vanskeligheder: support@annovireverberi.it	Side: 44-52
DE	Lesen Sie bitte diese Bedienungsanleitung vor Gebrauch aufmerksam durch. Bewahren Sie diese Bedienungsanleitung sorgfältig auf, damit Sie sie auch später zu Rate ziehen können. Wenden Sie sich im Falle von Problemen bitte an die Verbraucher-Hotline: support@annovireverberi.it	Seite: 53-62
EL	Διαβάστε προσεκτικά αυτές τις οδηγίες πριν από τη χρήση. Φυλάξτε αυτές τις οδηγίες για μελλοντικές αναφορές. Σε περίπτωση προβλημάτων ή δυσκολιών, επικοινωνήστε με τη γραμμή helpline υποστήριξης καταναλωτών: support@annovireverberi.it	Σελίδα: 63-72
ES	Leer atentamente estas instrucciones antes de usar el equipo. Guardar estas instrucciones para poder consultarlas en el futuro. En caso de problemas o dificultades, ponerse en contacto con el servicio de asistencia al cliente: support@annovireverberi.it	Página: 73-82
ET	Enne kasutamist lugege see juhend tähelepanelikult läbi. Hoidke juhend hilisemaks kasutamiseks alles. Probleemide või raskuste ilmnemisel pöörduge klienditeo klienditeenindajate poole: support@annovireverberi.it	Lk: 83-91
FI	Lue ohjeet huolellisesti ennen käyttöä. Säilytä ohjeet huolellisesti tulevaa käyttöä varten. Jos kohtaat ongelmia, ota yhteys kulluttajien helpline-palveluun: support@annovireverberi.it	Sivu: 92-100
FR	Lire attentivement ces instructions avant emploi. Conserver ces instructions pour toute consultation à venir. En cas de problèmes ou de difficultés, contacter l'assistance consommateur : support@annovireverberi.it	Page : 101-110
HR	Molimo vas da prije uporabe pažljivo pročitate ovaj priručnik. Sačuvajte ove upute za buduće korištenje. Ako naiđete na kakve probleme ili poteškoće, molimo vas da se obratite službi za podršku korisnicima: support@annovireverberi.it	Stranica: 111-119
HU	A készülék használatba vétele előtt gondosan olvassa el az útmutatót. A későbbi hivatkozások érdekében őrizze meg az útmutatót. Kérdés vagy probléma esetén forduljon ügyfélszolgálatunkhoz: support@annovireverberi.it	120-128. oldal
LT	Prieš pradėdami naudoti įrenginį, atidžiai perskaitykite šias instrukcijas. Išsaugokite šias instrukcijas, kad bet kada galėtumėte jas vėl perskaityti. Jei kyla problemų arba sunkumų, kreipkitės į klientų pagalbos liniją: support@annovireverberi.it	Puslapiai: 129-137
LV	Pirms lietošanas, lūdzu, rūpīgi izlasiet šo pamācību. Lūdzu, saglabājiet šos norādījumus turpmākai uzpinai. Ja rodas kādas problēmas vai grūtības, lūdzu, sazinieties ar Klientu apkalpošanas dienestu: support@annovireverberi.it	Lappuse: 138-146
NL	Lees deze gebruiksaanwijzing vóór het gebruik aandachtig door. Bewaar deze gebruiksaanwijzing voor latere raadpleging. Contacteer bij problemen of moeijlichkeiten de hulplijn voor de gebruikers: support@annovireverberi.it	Pagina: 147-156
NO	Les disse instruksjonene nøye før bruk. Ta vare på instruksjonene for senere bruk. Ved problemer eller vanskeligheter, kontakt kundeservice: support@annovireverberi.it	Side: 157-165
PL	Przed użyciem należy uważnie przeczytać niniejszą instrukcję obsługi. Instrukcję należy zachować na przyszłość. W razie jakichkolwiek problemów lub trudności można skontaktować się z działem pomocy technicznej pod adresem: support@annovireverberi.it	Strona: 166-175
PT	Leia atentamente estas instruções antes de utilizar o aparelho. Conserve estas instruções para consultas futuras. Em caso de problemas ou dificuldades, contacte a helpline de atendimento aos consumidores: support@annovireverberi.it	Página: 176-185
RO	Vă rugăm să citiți cu atenție aceste instrucțiuni înainte de a utiliza. Vă rugăm să păstrați aceste instrucțiuni pentru consultarea pe viitor. În caz de probleme sau dificultăți, vă rugăm să contactați linia de asistență a clienților: support@annovireverberi.it	Pagina: 186-194
RU	Внимательно прочитайте эти инструкции до начала использования. Сохраните инструкции для пользования ими в будущем. При появлении проблем или затруднений обращайтесь в отдел обслуживания клиентов: support@annovireverberi.it	Страница: 195-204
SK	Pred použitím si, prosím, pozorne prečítajte tento návod. Tento návod si odložte na použitie v budúcnosti. Ak narazíte na akékoľvek problémy alebo ťažkosti, obráťte sa na linku pomoci pre zákazníkov: support@annovireverberi.it	Strana: 205-213
SL	Pred uporabo pazljivo preberite ta navodila. Ta navodila shranite za prihodnjo uporabo. Če naletite na težave, se obrnite na službo za pomoč kupcem: support@annovireverberi.it	Stran: 214-222
SV	Läs bruksanvisningen noggrant före användning. Förvara bruksanvisningen för framtida bruk. Vid ev. problem eller frågeställningar, kontakta kundtjänst på support@annovireverberi.it	Sid.: 223-231
TR	Kullanmadan önce, bu talimatları dikkatlice okuyunuz. Bu talimatları, ileride danışmak için saklayınız. Problem veya zorluk durumunda, tüketici yardım hattına başvurunuz: support@annovireverberi.it	Sayfa: 232-240
UK	Перед експлуатацією уважно прочитайте цю інструкцію. Зберігайте цю інструкцію для подальшого використання в довідкових цілях. У разі виникнення проблем або труднощів звертайтеся до нашої служби підтримки: support@annovireverberi.it	Сторінки: 241-249













5

	 Volt	 $\Rightarrow 1 \div 25 \text{ m}$	 $\Rightarrow 25 \div 50 \text{ m}$
	220 - 240 V~	$2 \times 1,5 \text{ mm}^2$	$2 \times 2,5 \text{ mm}^2$

I


1 SAFETY INSTRUCTIONS

1.1 The appliance you have purchased is a technologically advanced product designed by one of the leading European manufacturers of high pressure washers. To obtain the best performance from your unit, read this booklet carefully and follow the instructions each time you use it. During connection, use and servicing of the appliance, take all possible precautions to protect your own safety and that of the people in the immediate vicinity. Read the safety regulations carefully and comply with them on all occasions; failure to do so may put health and safety at risk or cause expensive damage.


2 SAFETY SIGNS

2.1 Comply with the instructions provided by the safety signs and symbols fitted to the appliance and in this manual.

The appliance and manual only feature the symbols relevant to the model purchased. Check that the symbols and signs affixed to the appliance are always present and legible; otherwise, fit replacements in the original positions.

 Warning - Caution - Hazard

 Please read these instructions carefully before use.

 E3 symbol - Indicates that the appliance is intended for non-professional (domestic) use. This appliance may be used by persons with impaired physical, sensory or mental capabilities, or who do not have the necessary experience and knowledge, if they are under supervision or have been instructed in the safe use of the appliance and understand the risks involved.

 Moving parts. Do not touch.

0 Switch "OFF" position

1  Switch "ON" position





Guaranteed sound power level



Prohibition sign, informs users that local regulations may prohibit connection of the product to the drinking water supply system.



Danger sign, warns users not to direct the water jet at people, animals, electrical equipment or the product itself.



This product is rated in insulation class II. This means it has reinforced or double insulation (only if symbol appears on appliance).



The product complies with the relevant European directives.



E1 symbol - Indicates that the appliance **must not be disposed of** as municipal waste; it may be handed in to the dealer on purchase of a new appliance. The appliance's electrical and electronic parts must not be reused for improper uses since they contain substances which constitute health hazards.



Wear ear defenders.



Wear a protective mask.



Wear respiratory protection.



Wear protective gloves.



Wear safety footwear.



Wear protective clothing.




3 SAFETY RULES/RESIDUAL RISKS

3.1 SAFETY "DO NOTS"

- 3.1.1 **WARNING.** DO NOT allow children to use the appliance; supervise them to ensure that they do not play with it.
- 3.1.2 **WARNING.** High pressure jets may be dangerous if incorrectly used.
- 3.1.3 **WARNING.** DO NOT use the appliance with flammable or toxic liquids, or any products which are not compatible with its correct operation. Use of the appliance in a potentially inflammable or explosive atmosphere is forbidden.
- 3.1.4 **WARNING. RISK OF EXPLOSION.** DO NOT use the appliance to spray flammable liquids.
- 3.1.5 **WARNING.** DO NOT point the water jet at people or animals.
- 3.1.6 **WARNING.** DO NOT point the water jet at the unit itself, electrical parts or other electrical equipment.
- 3.1.7 **WARNING.** DO NOT use the appliance with people within its range of action unless they are wearing protective clothing.
- 3.1.8 **WARNING.** DO NOT point the jet at yourself or others to clean clothing or footwear.
- 3.1.9 **WARNING.** DO NOT use the appliance outdoors when it is raining.
- 3.1.10 **WARNING.** DO NOT allow children, incompetent persons or those who have not read and understood the instructions to use the appliance.
- 3.1.11 **WARNING.** DO NOT touch the plug and/or socket with wet hands.
- 3.1.12 **WARNING.** DO NOT use the appliance if the electric cable is damaged. If the electric cable is damaged, it must be replaced by the manufacturer, one of its authorised Service Centres or similarly qualified persons in order to avoid a safety hazard.
- 3.1.13 **WARNING.** DO NOT use the appliance if a supply cable or important parts such as the safety devices, high pressure hoses or gun are damaged.
- 3.1.14 **WARNING.** DO NOT jam the trigger in the operating position.
- 3.1.15 **WARNING.** Check that the data plate is affixed to the appliance; if not, inform your dealer. Appliances without plates must NOT be used as they are unidentifiable and potentially dangerous.
- 3.1.16 **WARNING.** DO NOT tamper with or adjust the setting of the safety valve or the safety devices.



- 3.1.17 **WARNING.** DO NOT alter the original diameter of the spray head nozzle.
- 3.1.18 **WARNING.** DO NOT move the appliance by pulling on the ELECTRIC CABLE.
- 3.1.19 **WARNING.** DO NOT allow vehicles to drive over the high pressure hose.
- 3.1.20 **WARNING.** DO NOT move the appliance by pulling on the high pressure hose.
- 3.1.21 **WARNING.** When directed towards tyres, tyre valves or other pressurised components, the high pressure jet is potentially dangerous. Do not use the rotating nozzle kit, and always keep the jet at a distance of at least 30 cm during cleaning.
- 3.1.22 **WARNING.** The use of non-original accessories and any other spare parts not specifically intended for the model in question is prohibited. All modifications to the appliance are prohibited; any modifications shall render the Declaration of Conformity null and void and relieve the manufacturer of all liability under civil and criminal law.
- 3.2 SAFETY “MUSTS”**
- 3.2.1 **WARNING.** All electrical conductors **MUST BE PROTECTED** against the water jet.
- 3.2.2 **WARNING.** The electric supply connection must be made by a qualified electrician and comply with IEC 60364-1. Either a residual current device that will cut off the power supply if the leakage current to earth exceeds 30 mA for 30 ms or a ground fault interrupt device must be installed.
- 3.2.3 **WARNING.** DURING start-up, the appliance may cause network noise.
- 3.2.4 **WARNING.** Use of a residual current breaker (RCB) will provide additional protection for the operator (30 mA).
- 3.2.5 **WARNING.** Models supplied without plug must be installed by qualified staff.
- 3.2.6 **WARNING.** Use only approved electrical extension leads with suitable conductor cross-section.
- 3.2.7 **WARNING.** Always turn off the switch when leaving the appliance unattended.
- 3.2.8  **WARNING.** High pressure may cause parts to rebound: wear all the protective clothing (PPE) and equipment needed to ensure the operator's safety.
- 3.2.9 **WARNING.** Before doing work on the appliance, REMOVE the plug.
- 3.2.10 **WARNING.** Before pressing the trigger, GRIP the gun firmly to counteract the recoil.



- 3.2.11 WARNING.** COMPLY WITH the local water supply authority regulations. Under IEC 60335-2-79, the appliance may only be connected to the mains drinking water supply if the supply hose is fitted with a backflow preventer valve with drain facility corresponding to EN 12729 type BA. The backflow preventer can be ordered from the manufacturer.
- 3.2.12 WARNING.** Water that has passed through backflow preventers is considered to be non-potable.
- 3.2.13 WARNING.** Maintenance and/or repair of electrical components **MUST** be carried out by qualified staff.
- 3.2.14 WARNING.** DISCHARGE residual pressure before disconnecting the hose from the appliance.
- 3.2.15 WARNING.** CHECK before each use and at regular intervals that the screws are fully tightened and that there are no broken or worn parts.
- 3.2.16 WARNING.** ONLY USE detergents which will not corrode the coating materials of the high pressure hose / electric cable.
- 3.2.17 WARNING.** ENSURE that all people or animals keep a minimum distance of 16 yd. (15m) away.
- 3.2.18 WARNING.** This appliance is designed for use with the detergent supplied or recommended by the manufacturer. The use of other detergents or chemicals may adversely affect the appliance's safety.
- 3.2.19 WARNING.** Do not allow the detergent to come into contact with the skin, and the eyes in particular! In case of contact with eyes, rinse with plenty of water and seek medical advice at once!
- 3.2.20 WARNING.** High pressure hoses, fittings and joints are important for the appliance's safety. Use only hoses, fittings and joints recommended by the manufacturer.
- 3.2.21 WARNING.** To ensure the appliance's safety, only use the manufacturer's genuine parts, or other parts which carry its approval.
- 3.2.22 WARNING.** If an extension cord is used, the plug and socket must be of watertight construction.
- 3.2.23 WARNING.** Unsuitable extension cables can be dangerous. If an extension cable is used, it must be suitable for outdoor use, and the connection must be kept dry and off the ground. Use of a power cable reel which keeps the socket at least 60 mm above the ground is strongly recommended.
- 3.2.24 WARNING.** Switch the appliance off and disconnect it from the power supply before assembly, cleaning, adjustments, maintenance, storage and transportation.
- 3.2.25 WARNING.** Insert the pipe jet kit down to the red mark before turning the appliance on.



4 GENERAL INFORMATION (FIG.1)/PAGE 3**4.1 Use of the manual**

The manual forms an integral part of the appliance and should be kept for future reference. Please read it carefully before installing/using the unit. If the appliance is sold, the seller must pass on this manual to the new owner along with the appliance.

4.2 Delivery

The appliance is delivered partially assembled in a cardboard box. The supply package is illustrated in fig.1.

4.2.1 Documentation supplied with the appliance

- A1** Use and maintenance manual
- A2** Safety instructions
- A3** Declaration of conformity
- A4** Warranty regulations

4.3 Disposing of packaging

The packaging materials are not environmental pollutants but must still be recycled or disposed of in compliance with the relevant legislation in the country of use.

5 TECHNICAL INFORMATION (FIG.1)/PAGE 3**5.1 Envisaged use**

This appliance has been designed for individual use for the cleaning of vehicles, machines, boats, masonry, etc., to remove stubborn dirt using clean water and biodegradable chemical detergents.

Vehicle engines may be washed only if the dirty water is disposed of as per regulations in force.

- Intake water temperature: **see data plate on the appliance.**
- Intake water pressure: **min. 0.1 MPa - max. 1 MPa.**
- Operating ambient temperature: **above 0°C.**

The appliance is compliant with the IEC 60335-1 and IEC 60335-2-79 standards.

5.2 Operator

The symbol illustrated in fig. 1 identifies the appliance's intended operator (professional or non-professional).

5.3 Main components

- B2** Lance
- B3** Gun with safety catch
- B4** Electric cable with plug
- B5** High pressure hose
- B6** Detergent tank
- E** Nozzle
- F** Detergent regulator
- H** Starter device
- I** Water jet control lever
- L** Water filter

5.3.1 Accessories (if included in the supply package – see fig.1)

- C1** Nozzle cleaning tool
- C2** Rotating nozzle kit
- C3** Handle
- C9** Adapter
- C13** Detergent kit

5.4 Safety devices

- Starter device (**H**)

The starter device prevents accidental use of the appliance.

**Warning - danger!**

Do not tamper with or adjust the safety valve setting.

- Safety valve and/or pressure limiting valve.

The safety valve is also a pressure limiting valve. When the gun trigger is released, the valve opens and the water recirculates through the pump inlet or is discharged onto the ground.

- Safety catch (**D**): prevents accidental spraying of water.
- Overload cutout: stops the appliance in case of overload.

6 INSTALLATION (FIG.2)/PAGE 4**6.1 Assembly****Warning - danger!**

All installation and assembly operations must be performed with the appliance disconnected from the mains power supply.

The assembly sequence is illustrated in fig.2.

6.2 Fitting the rotating nozzle

The rotating nozzle kit delivers greater washing power.

Use of the rotating nozzle may cause a reduction in pressure of 25% compared to the pressure obtained with the adjustable nozzle. However, the rotating nozzle kit delivers greater washing power due to the rotation of the water jet.

6.3 Electrical connection**Warning - danger!**

Check that the electrical supply voltage and frequency (V-Hz) correspond to those specified on the data plate (fig.2).

6.3.1 Use of extension cables

The cross-section of the extension cable should be proportionate to its length; the longer it is, the greater its cross-section should be. See table I.

6.4 Water supply connection**Warning - danger!**

Only clean or filtered water should be supplied to the appliance. The flow rate of the water inlet tap should be equal to the pump flow rate.

Place the appliance as close to the water supply system as possible.

6.4.1 Connection points

- Water outlet (OUTLET)
- Water inlet with filter (INLET)

6.4.2 Connection to the mains water supply

The appliance may only be connected directly to the mains drinking water supply if the supply hose is fitted with a backflow preventer valve as per current regulations in force. Make sure that the hose is at least \varnothing 13 mm, that it is reinforced and that it is not more than 25 m long.

6.4.3 Suction of water from open containers

1) Screw the inlet hose with filter to the water INLET and insert it down to the bottom of the container.

2) Vent the air from the appliance:

- a) Unscrew the lance.
- b) Start the appliance and keep the gun open until there are no air bubbles in the water flowing out.

3) Switch the appliance off and screw the lance back on.

N.B.: the maximum suction height is 0.5 m. The suction hose should be filled before use.

7 ADJUSTMENTS (FIG.3)/PAGE 5**7.1 Adjusting the spray nozzle**

Water flow is adjusted by regulating the nozzle (**E**).

7.2 Adjusting the detergent

To deliver detergent at the correct pressure, fit the detergent kit (**C13**) as shown.

The quantity of detergent delivered is adjusted using the regulator (**F**).

8 INFORMATION ON USE OF THE APPLIANCE (FIG.4)/PAGE 5**8.1 Controls**

- Starter device (H).

Set the starter switch on (WASH/1) to set the motor ready to start.

If there is a pilot light on the starter device, it should light up.

Set the starter device switch on (OFF/0) to stop the appliance.

If there is a pilot light on the starter device, it should go out.

- Water jet control lever (I).

**Warning - danger!**

During operation the appliance must be positioned as shown in fig. 4 on a firm, stable surface.

8.2 Start-up (see fig. 4)

- 1) Turn on the water supply tap fully.
- 2) Release the safety catch (D).
- 3) Depress the gun trigger for a few seconds and start up the appliance using the starter device (WASH/1).

**Warning - danger!**

Before starting up the appliance check that it is receiving water correctly; use of the appliance without water will damage it. Do not cover the ventilation grilles when the appliance is in use.

- When the gun trigger is **released** the dynamic pressure automatically cuts out the motor;

- When the gun trigger is **depressed** the automatic drop in pressure starts the machine and the pressure is restored after a very slight delay;

- If the machine is to function correctly, all gun trigger **releasing** and **depressing** operations must be at **least 4-5 seconds** apart.

To prevent damage to the appliance, do not allow it to operate dry and check that it is properly supplied with water.

8.3 Stopping

- 1) Set the starter device switch on (OFF/0).
- 2) Depress the gun trigger and discharge the residual pressure inside the pipes.
- 3) Engage the safety catch (D).

8.4 Restarting

- 1) Release the safety catch (D).
- 2) Depress the gun trigger and discharge the residual air inside the pipes.
- 3) Set the starter device on (WASH/1).

8.5 Storage

- 1) Turn off the water supply tap.
- 2) Discharge the residual pressure from the gun until all the water has come out of the appliance.
- 3) Switch the appliance off (OFF/0).
- 4) Remove the plug from the socket.
- 5) Drain and wash out the detergent tank at the end of the working session. To wash out the tank, use clean water instead of the detergent.
- 6) Engage the gun safety catch (D).

8.6 Refilling and using detergent

The detergent must be delivered using the accessories and by the procedures described in point 7.2.

Use of a high pressure hose longer than the one originally supplied with the appliance, or the use of an additional hose extension, may reduce or completely halt the suction of detergent.

Fill the tank (B6) with highly biodegradable detergent.

8.7 Recommended cleaning procedure

Dissolve dirt by applying the detergent mixed with water to the surface while still dry.

When dealing with vertical surfaces work from the bottom upwards. Leave the detergent to act for 1-2 minute but do not allow the surface to dry. Starting from the bottom, use the high pressure jet at a minimum distance of 30 cm. Do not allow the rinse water to run onto unwashed surfaces.

In some cases, scrubbing with brushes is needed to remove dirt.

High pressure is not always the best solution for good cleaning results, since it may damage some surfaces. The finest adjustable nozzle jet setting or the rotating nozzle should not be used on delicate or painted parts, or on pressurised components (e.g. tyres, inflation valves, etc.).

Effective cleaning depends on both the pressure and volume of the water used, to the same degree.

9 MAINTENANCE (FIG.5)/PAGE 6

Any maintenance operations not covered by this chapter should be carried out by an Authorised Sales and Service Centre.

**Warning - danger!**

Always disconnect the plug from the power socket before carrying out any work on the appliance.

9.1 Inspect the power cable, high pressure hose, fittings, trigger gun and lance at each use.**9.2 Cleaning the nozzle**

- 1) Disconnect the lance from the trigger gun.
- 2) Remove any dirt deposits from the nozzle hole using the tool (C1).

9.3 Cleaning the filter

Inspect the inlet filter (L) and detergent filter (if fitted) before each use, and clean in accordance with the instructions if necessary.

9.4 End-of-season storage

Before putting the machine into store for the winter, run it with non-aggressive, non-toxic antifreeze.

Put the machine in a dry place, protected from frost.

10 STORAGE AND TRANSPORTATION (FIG. 5)/PAGE 6

Store the accessories as shown in fig. 5.

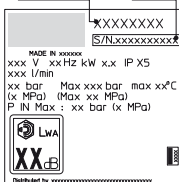
Transport the machine as shown in fig. 5.

11 TROUBLESHOOTING

Problem	Possible causes	Remedy
Pump does not reach working pressure	Nozzle worn	Replace nozzle
	Water filter fouled	Clean filter (L) (fig.5)
	Insufficient water supply	Turn on water supply tap fully
	Air being sucked into system	Check tightness of hose fittings
	Air in pump	Switch off the appliance and keep depressing and releasing the gun trigger until the water comes out in a steady flow. Switch the appliance back on again.
Pump pressure drops suddenly during use	Water being sucked from an open container from a height of more than 0.5 m.	Reduce the suction height.
	Water being sucked from an external tank	Connect appliance to the mains water supply
	Inlet water too hot	Reduce temperature
	Nozzle clogged	Clean nozzle (fig.5)
Motor "buzzes" but fails to start	Inlet filter (L) fouled	Clean filter (L) (fig.5)
	Power supply voltage too low	Check that the voltage of the mains power supply line is the same as that on the plate (fig.2)
	Voltage drop due to use of extension cable	Check characteristics of extension cable
	Appliance not used for a long period of time	Contact your nearest Authorised Service Centre
Motor fails to start	Problems with TSS device	Contact your nearest Authorised Service Centre
	No electrical power	Check that the plug is firmly in the socket and that the mains voltage supply is present (*)
Water leakage	Problems with TSS device	Contact your nearest Authorised Service Centre
Appliance noisy	Seals worn	Have the seals replaced at your nearest Authorised Service Centre
Oil leakage	Water too hot	Reduce temperature (see technical data)
Appliance starts even with gun trigger released	Seals worn	Contact your nearest Authorised Service Centre
No water delivery when gun trigger is depressed (with supply hose connected)	High pressure system or pump circuit not watertight	Contact your nearest Authorised Service Centre
No detergent sucked in	Nozzle clogged	Clean nozzle (fig.5)
	Detergent too dense	Dilute with water
	Deposits or restriction in detergent circuit	Flush with clean water and eliminate any restrictions. If the problem persists, contact an Authorised Service Centre

(*) If the motor stops and does not restart during operation, wait 2-3 minutes before repeating the start-up procedure (**Overload cutout has been tripped**). If the problem recurs more than once, contact your nearest Authorised Service Centre.

MODEL SERIAL NUMBER



12 HOW TO AVOID DAMAGING SURFACES**WARNING**

- 12.1 Using the appliance to wash tyres may damage the tyre and can be dangerous.
- 12.2 Never point the high pressure jet straight at the tyre.
- 12.3 Always use the appliance at the lowest pressure setting when cleaning in the vicinity of wheels and tyres.
- 12.4 Never use the "Turbo Lance" for washing any part of the vehicle.
- 12.5 For further information refer to section: "8.7 Recommended cleaning procedure".

**EC Declaration of Conformity**

We, Annovi Reverberi S.p.A, declare that the following Annovi Reverberi Machine(s):

Designation of machine	High pressure washer
Model No.	ARXP BOX3 150LHT
Rated power	1,9 kW

conform(s) to the following European Directives:

2006/42/EC, 2014/35/EU, 2011/65/EU, 2015/863/EU, 2012/19/EU, 2014/30/EU and 2000/14/EC (Italian Legislative Decree 262/2002)

and are (is) manufactured in accordance with the following standards or standardised documents:

EN 60335-1; EN 60335-2-79; EN 55014-1; EN 55014-2; EN 61000-3-2; EN 61000-3-3; ISO 3744; EN 62233; EN IEC 63000

Name and address of the person appointed to issue the technical file: Stefano Reverberi / AR Managing Director Via ML King, 3 - 41122 Modena, Italy

The conformity assessment procedure required by Directive 2000/14/EC has been performed in accordance with Annex V

Model No.	ARXP BOX3 150LHT
Measured sound power level:	94,1 dB (A)
Guaranteed sound power level:	97 dB (A)

Managing Director

Date: 02.02.2023 - MODENA (I)

Stefano Reverberi

WARRANTY

The validity of the warranty is in accordance with the relevant legislation in the country where the product is sold (unless otherwise stated by the producer). The warranty covers materials, construction and conformity defects during the warranty period, during which time the manufacturer will replace defective parts and repair the product if not excessively worn, or replace it.

The warranty does not cover components subject to normal wear and tear (valve, piston, water gasket, oil gasket, springs, O-rings, accessories such as the hose, gun, brushes, wheels, etc.);


The warranty does not cover defects caused by or arising from:

- improper use, misuse, negligence,
- hire or professional use if the product has been sold for domestic use,
- failure to comply with the maintenance instructions provided in this manual,
- repair by unauthorised staff or centres,
- use of non-genuine parts or accessories,
- damage caused by transport, by dirt or foreign bodies, accidents,
- storage or warehousing problems.

Proof of purchase must be submitted to obtain warranty cover.

For after-sales service, contact the store where the appliance was purchased.

Technical Data

Technical Data	Unit	ARXP BOX3 150LHT
Flow rate	l/min	5,5
Maximum flow rate	l/min	7,66
Pressure	MPa	10
Maximum pressure	MPa	15
Power	kW	1,9
Maximum inlet temperature	°C	50
Maximum inlet pressure	MPa	1
Gun repulsive force at maximum pressure	N	13
Pump oil type	kg	-
Protection class	-	II / 
Motor insulation	Class	F
Motor protection	-	IPX5
Voltage	V-/Hz	220-240 / 50-60
Maximum permitted electrical system impedance	Ω	-
Sound pressure level L_{PA} (ISO 3744)(K = 2.5 dB(A))	dB (A)	82,6
Sound power level L_{WA} (ISO 3744)(K = 2.5 dB(A))	dB (A)	97
Appliance vibration (K = 1 m/s ²):	m/s ²	< 2.5
Weight	kg	8,7

Subject to technical modification!

1 ISTRUZIONI PER LA SICUREZZA



1.1 La macchina da Voi acquistata è un prodotto ad alto contenuto tecnologico realizzato da una delle più esperte ditte europee di idropulitrici ad alta pressione. Per ottenere il meglio delle prestazioni, abbiamo compilato queste righe da leggere attentamente e osservare a ogni utilizzo. In fase di allacciamento, uso e manutenzione della macchina adottare tutte le precauzioni possibili per salvaguardare la propria incolumità e quella delle persone nelle immediate vicinanze. Leggere attentamente e rispettare le prescrizioni di sicurezza poiché se trascurate possono mettere a rischio la salute e la sicurezza delle persone o provocare danni economici.


2 SEGNALAZIONI DI INFORMAZIONE

2.1 Rispettare le segnalazioni dettate dalle targhe e dai simboli applicati sulla macchina e su queste istruzioni.

Sono presenti sulla macchina e sul libretto solo i simboli opportuni per la macchina acquistata. Verificare che simboli e targhe applicati sulla macchina siano sempre integri e leggibili; in caso contrario, sostituirli applicandoli nella posizione originale.

 Attenzione - Pericolo

  Leggere attentamente queste istruzioni prima dell'uso.

 Icona E3 - Indica che la macchina è destinata all'uso non professionale (domestico). Può essere utilizzata da persone con capacità fisiche, sensoriali o mentali ridotte, o mancanza di esperienza e conoscenze, se sono sotto sorveglianza o se hanno ricevuto istruzioni sull'uso sicuro della macchina e comprendono i rischi che tale uso comporta.

 Organi in movimento. Non toccare.

0 Posizione interruttore spento

1  Posizione interruttore acceso





Livello di potenza sonora garantito



Divieto, segnala all'utilizzatore che le normative nazionali possono proibire il collegamento del prodotto alla rete di distribuzione dell'acqua potabile.



Segnale di pericolo, segnala all'utilizzatore di non indirizzare il getto d'acqua verso persone, animali, equipaggiamenti elettrici o verso il prodotto stesso.



Questo prodotto è di classe di isolamento II. Ciò significa che è equipaggiato con un isolamento rinforzato o con un doppio isolamento (solo se il simbolo è presente sulla macchina).



Questo prodotto è conforme con le direttive Europee applicabili in materia.



Indica l'obbligo di **non smaltire** la macchina come rifiuto urbano; può essere riconsegnata al distributore all'atto dell'acquisto di una macchina nuova. Le parti elettriche ed elettroniche costituenti la macchina non devono essere riutilizzate per usi impropri per la presenza di sostanze dannose alla salute.



Utilizzare cuffie di protezione.



Utilizzare maschera di protezione.



Utilizzare dispositivi di protezione dell'apparato respiratorio.



Utilizzare guanti protettivi.



Utilizzare scarpe antiinfortunistiche.



Utilizzare abbigliamento di protezione.



3 PRESCRIZIONI DI SICUREZZA/RISCHI RESIDUI



3.1 AVVERTENZE: NON FARE

- 3.1.1 **ATTENZIONE.** NON permettere l'uso della macchina ai bambini, ma sorvegliarli per accertarsi che non giochino con essa.
- 3.1.2 **ATTENZIONE.** I getti a pressione possono essere pericolosi se utilizzati in modo improprio.
- 3.1.3 **ATTENZIONE.** NON utilizzare la macchina con fluidi infiammabili, tossici o aventi caratteristiche non compatibili con il corretto funzionamento della macchina stessa. È vietato utilizzare la macchina in atmosfera potenzialmente infiammabile od esplosiva.
- 3.1.4 **ATTENZIONE. PERICOLO DI ESPLOSIONE.** NON irrorare liquidi infiammabili.
- 3.1.5 **ATTENZIONE.** NON dirigere il getto dell'acqua contro persone o animali.
- 3.1.6 **ATTENZIONE.** NON dirigere il getto dell'acqua contro la macchina stessa, parti elettriche o verso altre apparecchiature elettriche.
- 3.1.7 **ATTENZIONE.** NON impiegare la macchina entro il raggio in cui si trovano persone che non indossano abbigliamento di protezione.
- 3.1.8 **ATTENZIONE.** NON dirigere il getto contro la propria persona o altri per pulire abiti o calzature.
- 3.1.9 **ATTENZIONE.** NON utilizzare la macchina all'aperto in caso di pioggia.
- 3.1.10 **ATTENZIONE.** La macchina NON può essere azionata da bambini, da incapaci e da coloro che non abbiano letto e compreso le istruzioni.
- 3.1.11 **ATTENZIONE.** NON toccare la spina e/o la presa con le mani bagnate.
- 3.1.12 **ATTENZIONE.** NON utilizzare la macchina col cavo elettrico danneggiato. Se il cavo elettrico è danneggiato, deve essere sostituito dal produttore, da un suo Centro Assistenza autorizzato o da persone ugualmente qualificate per evitare pericoli per la sicurezza.
- 3.1.13 **ATTENZIONE.** NON impiegare la macchina se un cavo di alimentazione o parti importanti come p.es. dispositivi di sicurezza, tubi ad alta pressione, pistola, risultano danneggiati.
- 3.1.14 **ATTENZIONE.** NON bloccare la leva della pistola in posizione di funzionamento.



- 3.1.15 ATTENZIONE.** Controllare che la macchina sia provvista della targhetta caratteristiche, se sprovvista avvertire il rivenditore. Le macchine sprovviste di targhetta NON devono essere usate, essendo anonime e potenzialmente pericolose.
- 3.1.16 ATTENZIONE.** NON manomettere o variare la taratura della valvola di regolazione e dei dispositivi di sicurezza.
- 3.1.17 ATTENZIONE.** NON variare il diametro originale del getto della testina.
- 3.1.18 ATTENZIONE.** NON spostare la macchina tirando il CAVO ELETTRICO.
- 3.1.19 ATTENZIONE.** Evitare il transito di veicoli sul tubo alta pressione.
- 3.1.20 ATTENZIONE.** NON spostare la macchina tirando il tubo alta pressione.
- 3.1.21 ATTENZIONE.** Il getto alta pressione su pneumatici, valvole di pneumatici e altri componenti in pressione è potenzialmente pericoloso. Evitare l'utilizzo del kit ugello rotante e comunque mantenere una distanza del getto di almeno 30 cm durante la pulizia.
- 3.1.22 ATTENZIONE.** È vietato utilizzare accessori non originali e non specifici per il modello. È vietato eseguire modifiche alla macchina; l'esecuzione di modifiche fa decadere la Dichiarazione di Conformità ed esonera il costruttore da responsabilità civili e penali.
- 3.2 AVVERTENZE: DA FARE**
- 3.2.1 ATTENZIONE.** Tutte le parti conduttrici di corrente DEVONO ESSERE PROTETTE contro il getto dell'acqua.
- 3.2.2 ATTENZIONE.** Il collegamento elettrico dovrà essere eseguito da un elettricista qualificato in conformità alla norma IEC 60364-1. Si raccomanda di prevedere un interruttore differenziale che interrompa l'alimentazione elettrica alla presente macchina se la corrente di dispersione verso terra supera i 30 mA per 30 ms, oppure un dispositivo di controllo del circuito di terra.
- 3.2.3 ATTENZIONE.** DURANTE la fase di avviamento, la macchina può generare disturbi in rete.
- 3.2.4 ATTENZIONE.** Il funzionamento con un interruttore differenziale di sicurezza offre una protezione personale supplementare (30 mA).
- 3.2.5 ATTENZIONE.** Nei modelli sprovvisti di spina l'installazione deve essere effettuata da personale qualificato.



- 3.2.6 ATTENZIONE.** Utilizzare solo prolunghe elettriche autorizzate e con sezione di conduzione appropriata.
- 3.2.7 ATTENZIONE.** Disinserire sempre l'interruttore quando si lascia la macchina incustodita.
- 3.2.8**      
- ATTENZIONE.** L'alta pressione può causare il rimbalzo di parti, usare tutti quegli indumenti e protezioni (PPE) che consentano la messa in sicurezza e l'incolumità dell'operatore.
- 3.2.9 ATTENZIONE.** Prima di eseguire lavori sulla macchina, ESTRARRE la spina.
- 3.2.10 ATTENZIONE.** A causa del rinculo, IMPUGNARE saldamente la pistola quando si tira la leva.
- 3.2.11 ATTENZIONE.** RISPETTARE le prescrizioni dell'ente locale di distribuzione dell'acqua. Secondo la IEC 60335-2-79 la macchina può essere collegata direttamente alla rete pubblica di distribuzione dell'acqua potabile solamente se nella tubazione di alimentazione è installato un dispositivo antiriflusso con svuotamento tipo BA conforme alla norma EN 12729. Il dispositivo antiriflusso può essere ordinato presso il fabbricante.
- 3.2.12 ATTENZIONE.** L'acqua fluita nei dispositivi antiriflusso non è considerata potabile.
- 3.2.13 ATTENZIONE.** La manutenzione e/o la riparazione dei componenti elettrici DEVE essere effettuata da personale qualificato.
- 3.2.14 ATTENZIONE.** SCARICARE la pressione residua prima di staccare il tubo dalla macchina.
- 3.2.15 ATTENZIONE.** CONTROLLARE prima di ogni utilizzo e periodicamente il serraggio delle viti ed il buon stato delle parti componenti la macchina, guardare se ci sono parti rotte od usurate.
- 3.2.16 ATTENZIONE.** UTILIZZARE solo detergenti compatibili coi materiali di rivestimento del tubo alta pressione / cavo elettrico.
- 3.2.17 ATTENZIONE.** TENERE persone od animali alla distanza minima di 15 m.
- 3.2.18 ATTENZIONE.** La presente macchina è stata progettata per l'uso con i detergenti forniti o raccomandati dal fabbricante. L'uso di detergenti o prodotti chimici diversi può avere un impatto negativo sulla sua sicurezza.



- 3.2.19 ATTENZIONE.** Evitare il contatto del detergente con la pelle, in particolare con gli occhi! In caso di contatto con gli occhi, risciacquare con acqua pulita e cercare aiuto medico immediato!
- 3.2.20 ATTENZIONE.** I tubi ad alta pressione, i raccordi e i giunti sono importanti per la sicurezza della macchina. Utilizzare esclusivamente tubi ad alta pressione, raccordi e giunti consigliati dal fabbricante.
- 3.2.21 ATTENZIONE.** Per garantire la sicurezza della macchina, utilizzare soltanto ricambi originali del fabbricante o approvati dal medesimo.
- 3.2.22 ATTENZIONE.** Se si utilizza una prolunga, la spina e la presa devono essere a tenuta stagna.
- 3.2.23 ATTENZIONE.** I cavi di prolunga inadeguati possono risultare pericolosi. Se s'impiega un cavo di prolunga, scegliere un tipo idoneo per l'uso all'aperto e accertarsi che il collegamento resti asciutto e distante dal terreno. Si raccomanda di utilizzare a tale scopo un avvolgicavo, che mantenga la presa ad almeno 60 mm di distanza dal terreno.
- 3.2.24 ATTENZIONE.** Spegnerne la macchina e scollegarla dalla sorgente di alimentazione prima di effettuare operazioni di montaggio, pulizia, regolazione, manutenzione, stoccaggio e trasporto.
- 3.2.25 ATTENZIONE.** Inserire il kit pulizia tubazioni fino alla tacca rossa prima di accendere la macchina.



4 INFORMAZIONI GENERALI (FIG.1)/PAGINA 3**4.1 Uso del manuale**

Il presente manuale è parte integrante della macchina; conservare per future consultazioni. Leggere attentamente prima dell'installazione/uso. In caso di passaggi di proprietà il cedente ha l'obbligo di consegnare il manuale al nuovo proprietario.

4.2 Consegna

La macchina è consegnata all'interno di un imballo di cartone, parzialmente smontata.

La composizione della fornitura è rappresentata in fig.1.

4.2.1 Documentazione a corredo

- A1** Manuale di uso e manutenzione
- A2** Istruzioni per la sicurezza
- A3** Dichiarazione di conformità
- A4** Regole garanzia

4.3 Smaltimento degli imballi

I materiali costituenti l'imballo non sono inquinanti per l'ambiente, tuttavia devono essere riciclati o smaltiti secondo la normativa vigente nel paese di utilizzo.

5 INFORMAZIONI TECNICHE (FIG.1)/PAGINA 3**5.1 Uso previsto**

La macchina è destinata all'uso individuale per la pulizia di veicoli, macchine, natanti, opere murarie ecc., per rimuovere lo sporco tenace con acqua pulita e detersivi chimici biodegradabili.

Il lavaggio di motori di veicoli è consentito solamente se l'acqua sporca viene smaltita secondo le norme vigenti.

- Temperatura acqua in ingresso: **vedi targa caratteristiche sulla macchina.**

- Pressione acqua in ingresso: **min. 0,1 MPa - max. 1 MPa.**

- Temperatura ambientale di funzionamento: **superiore a 0°C.**

La macchina è conforme alla norma IEC 60335-1 e IEC 60335-2-79.

5.2 Operatore

Per identificare l'operatore addetto all'uso della macchina (professionale o non professionale) vedere l'icona rappresentata in fig. 1.

5.3 Parti principali

- B2** Lancia
- B3** Pistola con sicura
- B4** Cavo elettrico con spina
- B5** Tubo alta pressione
- B6** Serbatoio detergente
- E** Testina
- F** Regolatore detergente
- H** Dispositivo di avviamento
- I** Leva di comando getto d'acqua
- L** Filtro acqua

5.3.1 Accessori (se previsti nella fornitura - vedere fig.1)

- | | |
|------------------------------------|---------------------------|
| C1 Utensile pulizia testina | C9 Adattatore |
| C2 Kit ugello rotante | C13 Kit detergente |
| C3 Manico | |

5.4 Dispositivi di sicurezza

- Dispositivo di avviamento (H)

Il dispositivo di avviamento evita l'uso accidentale della macchina.

⚠ Attenzione - pericolo!
Non manomettere o variare la taratura della valvola di sicurezza.

- Valvola di sicurezza e/o limitatrice di pressione.

La valvola di sicurezza è anche una valvola limitatrice di pressione. Quando si chiude la pistola, la valvola si apre e l'acqua riciccola dall'aspirazione della pompa oppure si scarica a terra.

- Sicura (D): evita il getto d'acqua accidentale.

- Protezione termica: in caso di sovraccarico la protezione termica ferma la macchina.

6 INSTALLAZIONE (FIG.2)/PAGINA 4**6.1 Montaggio****Attenzione - pericolo!**

Tutte le operazioni d'installazione e montaggio devono essere effettuate con la macchina scollegata dalla rete elettrica. Per la sequenza di montaggio vedere fig.2.

6.2 Montaggio dell'ugello rotante

Il kit ugello rotante permette di erogare una maggiore potenza di lavaggio.

L'uso dell'ugello rotante può coincidere con un calo della pressione pari al 25% rispetto alla pressione ottenuta con la testina regolabile. Comunque il suo utilizzo permette di erogare una maggiore potenza di lavaggio grazie all'effetto rotante impresso al getto di acqua.

6.3 Collegamento elettrico**Attenzione - pericolo!**

Verificare che la rete elettrica corrisponda al voltaggio e alla frequenza (V-Hz) riportata sulla targa di identificazione (fig.2).

6.3.1 Utilizzo dei cavi di prolunga

La sezione dei cavi di prolunga deve essere proporzionata alla sua lunghezza; più è lunga, maggiore deve essere la sezione. Vedi tabella I.

6.4 Collegamento idrico**Attenzione - pericolo!**

Aspirare solamente acqua filtrata o pulita. Il rubinetto di prelievo acqua deve garantire una erogazione pari alla portata della pompa.

Collocare la macchina il più vicino possibile alla rete idrica di approvvigionamento.

6.4.1 Bocche di collegamento

- Uscita acqua (OUTLET)
- Entrata acqua con filtro (INLET)

6.4.2 Collegamento alla rete idrica pubblica

La macchina può essere collegata direttamente alla rete pubblica di distribuzione dell'acqua potabile solamente se nella tubazione di alimentazione è installato un dispositivo antiriflusso con svuotamento conforme alle normative vigenti. Assicurarsi che il tubo sia almeno Ø 13 mm, che sia rinforzato e che non abbia una lunghezza superiore a 25 m.

6.4.3 Aspirazione di acqua da contenitori aperti

- 1) Avvitare il tubo di aspirazione con il filtro all'entrata dell'acqua (INLET) ed immergerlo a fondo nel contenitore.
- 2) Sfiatare la macchina:
 - a) Svitare la lancia.
 - b) Avviare la macchina ed aprire la pistola affinché l'acqua che fuoriesce sia priva di bolle d'aria.
- 3) Spegnerne la macchina e riavvitare la lancia.

Nota: l'altezza massima di aspirazione è di 0,5 m. È consigliato riempire il tubo di aspirazione prima dell'utilizzo.

7 REGOLAZIONI (FIG.3)/PAGINA 5**7.1 Regolazione della testina**

Agire sulla testina (E) per regolare il getto d'acqua.

7.2 Regolazione erogazione detergente

Per erogare il detergente alla corretta pressione, montare il kit detergente (C13) come illustrato in figura.

Agire sul regolatore (F) per dosare la quantità di detergente da erogare.

8 INFORMAZIONI D'USO (FIG.4)/PAGINA 5**8.1 Comandi**

- Dispositivo di avviamento (H).

Mettere il dispositivo di avviamento in pos. (WASH/1) per predisporre al funzionamento il motore.

Se il dispositivo di avviamento è dotato di spia, questa si deve accendere. Mettere il dispositivo di avviamento in pos. (OFF/0) per arrestare il funzionamento della macchina.

Se il dispositivo di avviamento è dotato di spia, questa si deve spegnere.

- Leva di comando getto d'acqua (I).

**Attenzione - pericolo!**

La macchina deve funzionare appoggiata su di un piano sicuro e stabile, posizionata come indicato in fig.4.

8.2 Avviamento (vedi fig. 4)

- 1) Aprire completamente il rubinetto della rete idrica.
- 2) Disinserire la sicura (D).
- 3) Tenere la pistola aperta per alcuni secondi e avviare la macchina con il dispositivo di avviamento (WASH/1).

**Attenzione - pericolo!**

Prima di mettere in funzione la macchina, assicurarsi che sia correttamente alimentata dall'acqua; l'utilizzo a secco danneggia la macchina; durante il funzionamento non coprire le griglie di ventilazione.

- **Chiudendo** la pistola, la pressione dinamica spegne automaticamente il motore elettrico;

- **Aprendo** la pistola, la caduta di pressione avvia automaticamente il motore e la pressione si riforma con un piccolissimo ritardo;

- Per un corretto funzionamento della macchina, le operazioni di **chiusura e apertura** pistola **non** devono essere effettuate in un intervallo di tempo **inferiore** ai 4-5 secondi.

Per evitare danneggiamenti alla macchina evitare il funzionamento a secco e controllare che la macchina sia sempre adeguatamente alimentata con acqua.

8.3 Arresto

- 1) Mettere il dispositivo di avviamento in pos. (OFF/0).
- 2) Aprire la pistola e scaricare la pressione all'interno delle tubazioni.
- 3) Inserire la sicura (D).

8.4 Riavviamento

- 1) Disinserire la sicura (D).
- 2) Aprire la pistola e lasciare scaricare l'aria presente all'interno delle tubazioni.
- 3) Mettere il dispositivo di avviamento in pos. (WASH/1).

8.5 Messa fuori servizio

- 1) Chiudere il rubinetto dell'acqua.
- 2) Scaricare la pressione residua dalla pistola fino alla fuoriuscita di tutta l'acqua dalla macchina.
- 3) Spegnerne la macchina (OFF/0).
- 4) Estrarre la spina dalla presa.
- 5) Svuotare e lavare il serbatoio detergente a fine lavoro. Per il lavaggio del serbatoio utilizzare acqua pulita al posto del detergente.
- 6) Inserire la sicura (D) della pistola.

8.6 Rifornimento e uso del detergente

Il detergente deve essere erogato con gli accessori e secondo le modalità previsti al punto 7.2.

L'uso di un tubo alta pressione più lungo di quello nella dotazione originale della macchina o l'uso di una prolunga tubo supplementare può diminuire o arrestare completamente l'aspirazione del detergente da serbatoio (dove previsto).

Riempire il serbatoio (B6) con detergente ad alta biodegradabilità.

8.7 Consigli per il corretto lavaggio

Sciogliere lo sporco applicando sulla superficie secca il detergente. Sulle superfici verticali operare dal basso verso l'alto. Lasciare agire per 1+2 minuti, senza lasciare però asciugare la superficie. Agire con il getto ad alta pressione ad una distanza maggiore di 30 cm,

cominciando dal basso. Evitare che il risciacquo coli sulle superfici non lavate.

In taluni casi per rimuovere lo sporco è necessaria l'azione meccanica delle spazzole per lavaggio.

La pressione alta non è sempre la miglior soluzione per un buon lavaggio, in quanto può danneggiare taluni superfici. È consigliabile evitare l'uso del getto a spillo della testina regolabile e l'uso dell'ugello rotante su parti delicate e verniciate e su componenti in pressione (es. pneumatici, valvole di gonfiaggio...).

Una buona azione lavante dipende in egual misura dalla pressione e dal volume di acqua.

9 MANUTENZIONE (FIG.5)/PAGINA 6

Tutti gli interventi manutentivi non compresi in questo capitolo devono essere effettuati presso un Centro di vendita e Assistenza autorizzato.

**Attenzione - pericolo!**

Prima di eseguire qualsiasi intervento sulla macchina, estrarre la spina dalla presa di corrente.

9.1 Controllare ad ogni utilizzo il cavo di alimentazione, il tubo alta pressione, i raccordi, la pistola e la lancia.**9.2 Pulizia della testina**

- 1) Smontare la lancia dalla pistola.
- 2) Togliere lo sporco dal foro della testina con l'utensile (C1).

9.3 Pulizia del filtro

Verificare il filtro aspirazione (L) e il filtro detergente (dove previsto) prima di ogni utilizzo e, nel caso sia necessario, procedere alla pulizia come indicato.

9.4 Rimessaggio

Prima del rimessaggio invernale, far funzionare la macchina con liquido antigelo non aggressivo e non tossico.

Mettere l'apparecchio in luogo asciutto e protetto dal gelo.

10 STOCCAGGIO E TRASPORTO (FIG.5)/PAGINA 6

Stoccare gli accessori come previsto in fig. 5.

Trasportare la macchina come previsto in fig. 5.

11 INFORMAZIONI SUI GUASTI

Inconvenienti	Probabili cause	Rimedi
La pompa non raggiunge la pressione prescritta	Ugello usurato	Sostituire ugello
	Filtro acqua sporco	Pulire il filtro (L) (fig.5)
	Alimentazione insufficiente acqua	Aprire completamente il rubinetto
	Aspirazione d'aria	Controllare i raccordi
	Aria nella pompa	Spegnere la macchina ed azionare la pistola fino alla fuoriuscita di un getto continuo. Riaccendere.
La pompa ha sbalzi di pressione	Altezza di aspirazione da contenitore aperto superiore a 0,5 m	Ridurre l'altezza di aspirazione
	Aspirazione acqua da serbatoio esterno	Collegare la macchina alla rete idrica
	Temperatura acqua in ingresso troppo elevata	Abbassare la temperatura
	Ugello otturato	Pulire l'ugello (fig.5)
Il motore "ronza" ma non si avvia	Filtro aspirazione (L) sporco	Pulire il filtro (L) (fig.5)
	Insufficiente tensione di rete	Controllare che la tensione di rete corrisponda a quella di targa (fig.2)
	Perdita di tensione causata dalla prolunga	Verificare le caratteristiche della prolunga
	Arresto prolungato della macchina	Consultare un Centro di Assistenza Tecnica autorizzato
Il motore elettrico non si avvia	Problemi al dispositivo TSS	Consultare un Centro di Assistenza Tecnica autorizzato
	Mancanza di tensione	Verificare la presenza di tensione nella rete e controllare che la spina sia inserita correttamente (*)
	Problemi al dispositivo TSS	Consultare un Centro di Assistenza Tecnica autorizzato
Perdite d'acqua	Guarnizioni di tenuta usurate	Sostituire le guarnizioni presso un Centro di Assistenza Tecnica autorizzato
Rumorosità	Temperatura acqua troppo elevata	Abbassare la temperatura (vedi dati tecnici)
Perdite d'olio	Guarnizioni di tenuta usurate	Consultare un Centro di Assistenza Tecnica autorizzato
La macchina si avvia nonostante la pistola chiusa	Tenuta difettosa nel sistema alta pressione o nel circuito della pompa	Consultare un Centro di Assistenza Tecnica autorizzato
Tirando la leva della pistola, l'acqua non esce (con tubo alimentazione inserito)	Ugello otturato	Pulire l'ugello (fig.5)
Non aspira detergente	Detergente troppo denso	Diluire con acqua
	Circuito detergente incrostato o strozzato	Risciacquare con acqua pulita ed eliminare eventuali strozzature. Se il problema persiste consultare un Centro di Assistenza Tecnica autorizzato.

(*) Se durante il funzionamento il motore si ferma e non riparte attendere 2-3 minuti prima di rifare l'avviamento (**Intervento della protezione termica**). Se l'inconveniente si ripete per più di una volta contattare il Servizio di Assistenza Tecnica.



12 COME NON DANNEGGIARE LE SUPERFICI**ATTENZIONE**

- 12.1 L'utilizzo della macchina per il lavaggio di pneumatici può causare danni ai pneumatici e risultare pericoloso.
 12.2 Non rivolgere il getto ad alta pressione direttamente sul pneumatico.
 12.3 Utilizzare sempre la macchina alla pressione più bassa quando si effettuano operazioni di pulizia vicino a ruote e pneumatici.
 12.4 Non usare mai la "Lancia turbo" per lavare una qualsiasi parte del veicolo.
 12.5 Per ulteriori informazioni leggere la sezione: "8.7 Consigli per il corretto lavaggio".

**Dichiarazione di conformità CE**

Noi di Annovi Reverberi S.p.A., Bomporto (Mo), Italia, dichiariamo che la(e) seguente(i) macchina(e) Annovi Reverberi :

Denominazione della macchina	Idropulitrice ad alta pressione
N. modello	ARXP BOX3 150LHT
Potenza assorbita	1,9 kW
Portata massima	460 l/h

è(sono) conforme(i) alle seguenti direttive europee:

2006/42/CE, 2014/35/UE, 2011/65/UE, 2015/863/UE, 2012/19/UE, 2014/30/UE, 2000/14/CE (D. Lgs. 262/2002)

ed è(sono) prodotta(e) nel rispetto delle seguenti norme o dei seguenti documenti standardizzati:

EN 60335-1; EN 60335-2-79; EN 55014-1; EN 55014-2; EN 61000-3-2; EN 61000-3-3; ISO 3744; EN 62233; EN IEC 63000;

Nome e indirizzo della persona incaricata di rilasciare il fascicolo tecnico: Stefano Reverberi / AR Managing Director Via ML King, 3 - 41122 Modena, Italia

La procedura di valutazione della conformità richiesta dalla direttiva 2000/14/CE è stata eseguita in osservanza all'Allegato V

N. modello	ARXP BOX3 150LHT
Livello di potenza sonora misurato:	94 dB (A)
Livello di potenza sonora garantito:	97 dB (A)

Data : 02.02.2023 - **MODENA (I)**

Stefano Reverberi

Managing Director

Garanzia

La validità della garanzia è regolamentata dalle normative vigenti nel paese in cui il prodotto viene commercializzato (salvo diverse indicazioni del produttore). Se il prodotto risulta difettoso per qualità del materiale, della costruzione o per mancata conformità durante il periodo di validità della garanzia il fabbricante garantisce la sostituzione delle parti difettose, provvede alla riparazione dei prodotti se ragionevolmente usurati oppure alla loro sostituzione.

La garanzia non copre componenti soggetti a normale usura (valvola, pistone, guarnizione acqua, guarnizione olio, molle, anelli OR, accessori come tubo, pistola, spazzole, ruote, ecc.);

La garanzia non copre difetti causati da o risultati da:


- uso scorretto, uso non ammesso, negligenza,
- noleggio o uso professionale qualora il prodotto sia stato venduto per uso domestico,
- mancata osservazione delle norme di manutenzione previste nell'apposito libretto,
- riparazioni eseguite da personale o centri non autorizzati,
- impiego di ricambi o accessori non originali,
- danni causati dal trasporto, da oggetti o sostanze estranee, sinistro,
- problemi di immagazzinaggio o stoccaggio.

Per attivare la garanzia è necessario esibire la prova d'acquisto.

Per assistenza, contattare il punto vendita dove è stato fatto l'acquisto.

Dati Tecnici

IT

Dati Tecnici	Unità	ARXP BOX3 150LHT
Portata	l/min	5,5
Portata massima	l/min	7,66
Pressione	MPa	10
Pressione massima	MPa	15
Potenza	kW	1,9
Temperatura di alimentazione massima	°C	50
Pressione di alimentazione massima	MPa	1
Forza repulsiva della pistola alla pressione massima	N	13
Tipo olio pompa	kg	-
Classe Protezione	-	II / 
Isolamento Motore	Classe	F
Protezione Motore	-	IPX5
Tensione	V~/Hz	220-240 / 50-60
Massima impedenza di rete consentita	Ω	-
Livello di pressione sonora L_{pk} (ISO 3744) (K = 2,5 dB(A))	dB (A)	82,6
Livello di potenza sonora L_{wpt} (ISO 3744) (K = 2,5 dB(A))	dB (A)	97
Vibrazioni dell'apparecchio (K = 1 m/s ²):	m/s ²	< 2.5
Peso	kg	8,7

Con riserva di modifiche tecniche!