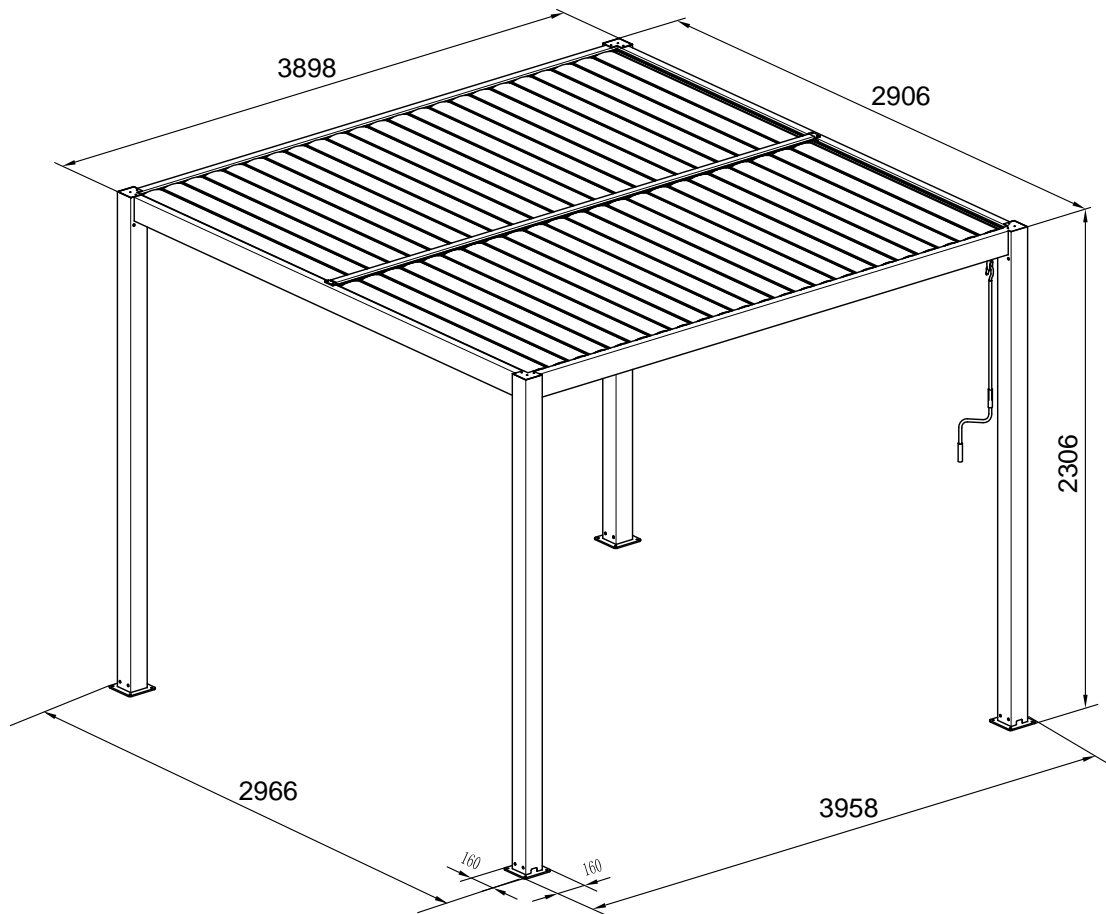
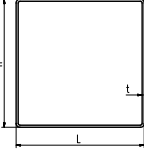
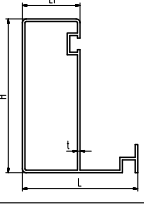
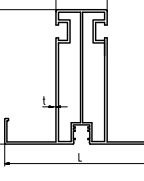



8610-300x400cm



| Components | Drawings | Thickness | Sizes |
|--------------------------------------|---|-----------|-----------|
| Standing pole |  | 1.6mm | 100x100mm |
| Beam (Left, right front, back) |  | 2.0mm | 120x100mm |
| Beam (Middle) |  | 2.0mm | 105x120mm |
| Flip board |  | 1.4mm | 23x145mm |