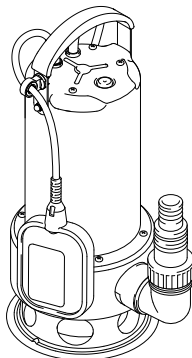
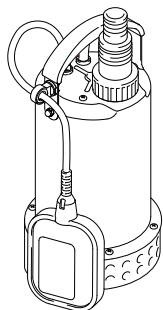
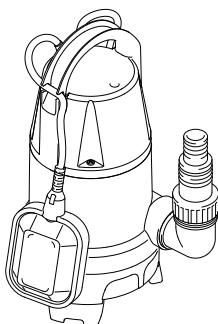
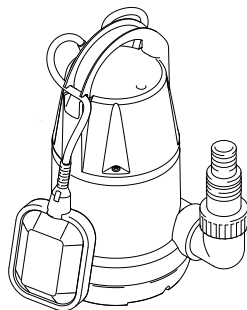




**BLUE<sup>®</sup>  
CLEAN**

**ARUP250PC - ARUP400PC -  
ARUP750PT - ARUP750XC -  
ARUP1100XD**



Submersible clean water pump  
Submersible dirty water pump

Pompa sommersibile per acque chiare  
Pompa sommersibile per acque scure

Ποτoπνεμα πομπα za χιcτa voδa  
Ποτoπνεμα πομπα za ζαμψρcena voδa

Ponorné čerpadlo na čistou vodu  
Ponorné čerpadlo na špinavou vodu

Dykpumpe til rent vand  
Dykpumpe til spildevand

Tauchpumpe für Klarwasser  
Tauchpumpe für Schmutzwasser

Βυθιζόμενη αντλία καθαρών υδάτων  
Βυθιζόμενη αντλία ακάθαρτων υδάτων

Bomba sumergible para aguas limpias  
Bomba sumergible para aguas sucias

Sukeldatav puhta vee pump  
Sukeldatav musta vee pump

Puhtaan veden uppopumppu  
Jäteveden uppopumppu

Pompe submersible eaux claires  
Pompe submersible eaux sales

Potopna pumpa za čistu vodu  
Potopna pumpa za prljavu vodu

Tiszta víz szivattyúzására alkalmas búvárszivattyú  
Szenyvezett víz szivattyúzására alkalmas búvárszivattyú

Panardinamas švaraus vandens siurblys  
Panardinamas nešvaraus vandens siurblys

Iegremdējama is sūkņis tīram ūdenim  
Iegremdējama is sūkņis netīram ūdenim

Dompelpomp voor schoon water  
Dompelpomp voor vuil water

Nedsenkbar pumpe for rent vann  
Nedsenkbar pumpe for skittent vann

Pompa zanurzeniowa do wody czystej  
Pompa zanurzeniowa do wody brudnej

Bomba submersível para águas limpas  
Bomba submersível para águas sujas

Pompă submersibilă pentru apă curată  
Pompă submersibilă pentru apă murdară

Ποгружной насос для чистой воды  
Ποгружной насос для грязной воды

Ponorné čerpadlo na čistú vodu  
Ponorné čerpadlo na znečistenú vodu

Potopna črpalka čiste vode  
Potopna črpalka umazane vode

Dränkbar pump för rent vatten  
Dränkbar pump för smutsigt vatten

Dalgıç tip temiz su pompası  
Dalgıç tip pis su pompası

Заглибний насос для чистої води  
Заглибний насос для брудної води



cod. 95335 - E1

EN

IT

BG

CS

DA

DE

EL

ES

ET

FI

FR

HR

HU

LT

LV

NL

NO

PL

PT

RO

RU

SK

SL

SV

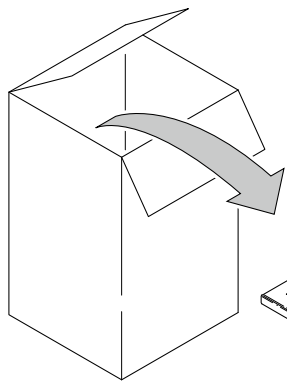
TR

UK

<b>EN</b>	Please read these instructions carefully before use. Please retain these instructions for future reference. In case of problems or difficulties, please contact the consumer helpline: <a href="mailto:support@annovireverberi.it">support@annovireverberi.it</a>	Page: 5-12
<b>IT</b>	Leggere attentamente queste istruzioni prima dell'uso. Conservare queste istruzioni per future consultazioni. In caso di problemi o difficoltà, contattate l'helpline consumatori: <a href="mailto:support@annovireverberi.it">support@annovireverberi.it</a>	Pagina: 13-22
<b>BG</b>	Прочетете внимателно тези указания преди употреба. Запазете тези указания за справка. При проблеми или затруднения се обрънете към отдела за обслужване на клиенту: <a href="mailto:support@annovireverberi.it">support@annovireverberi.it</a>	Страница: 23-32
<b>CS</b>	Před použitím si pozorně přečtěte tento návod. Laskavě si uložte tento návod pro budoucí použití. V případě jakýchkoli problémů nebo potíží laskavě kontaktujte linku pomoci zákazníkům: <a href="mailto:support@annovireverberi.it">support@annovireverberi.it</a>	Strana: 33-40
<b>DA</b>	Læs disse instruktioner omhyggeligt inden brug. Opbevar disse instruktioner til senere brug. Kontakt kundeservicetelefonen i tilfælde af problemer eller vanskeligheder: <a href="mailto:support@annovireverberi.it">support@annovireverberi.it</a>	Side: 41-49
<b>DE</b>	Lesen Sie bitte diese Bedienungsanleitung vor Gebrauch aufmerksam durch. Bewahren Sie diese Bedienungsanleitung sorgfältig auf, damit Sie sie auch später zu Rate ziehen können. Wenden Sie sich im Falle von Problemen bitte an die Verbraucher-Hotline: <a href="mailto:support@annovireverberi.it">support@annovireverberi.it</a>	Seite: 50-59
<b>EL</b>	Διαβάστε προσεκτικά αυτές τις οδηγίες πριν από τη χρήση. Φυλάξτε αυτές τις οδηγίες για μελλοντικές αναφορές. Σε περίπτωση προβλημάτων ή δυσκολιών, επικοινωνήστε με τη γραμμή helpline υποστήριξης καταναλωτών: <a href="mailto:support@annovireverberi.it">support@annovireverberi.it</a>	Σελίδα: 60-69
<b>ES</b>	Leer atentamente estas instrucciones antes de usar el equipo. Guardar estas instrucciones para poder consultarlas en el futuro. En caso de problemas o dificultades, ponerse en contacto con el servicio de asistencia al cliente: <a href="mailto:support@annovireverberi.it">support@annovireverberi.it</a>	Página: 70-78
<b>ET</b>	Enne kasutamist lugege see juhend tähepanelikult läbi. Hoidke juhend hilisemaks kasutamiseks alles. Probleemide või raskuste ilmnemisel pöörduge klientide poole: <a href="mailto:support@annovireverberi.it">support@annovireverberi.it</a>	Lk: 79-86
<b>FI</b>	Lue ohjeet huolellisesti ennen käyttöä. Säilytä ohjeet huolellisesti tulevaa käyttöä varten. Jos kohtaat ongelmia, ota yhteys kuluttajien helpline-palveluun: <a href="mailto:support@annovireverberi.it">support@annovireverberi.it</a>	Sivu: 87-94
<b>FR</b>	Lire attentivement ces instructions avant emploi. Conserver ces instructions pour toute consultation à venir. En cas de problèmes ou de difficultés, contacter l'assistance consommateur : <a href="mailto:support@annovireverberi.it">support@annovireverberi.it</a>	Page : 95-104
<b>HR</b>	Molimo vas da prije uporabe pažljivo pročitate ovaj priručnik. Sačuvajte ove upute za buduće korištenje. Ako naidete na kakve probleme ili poteškoće, molimo vas da se obratite službi za podršku korisnicima: <a href="mailto:support@annovireverberi.it">support@annovireverberi.it</a>	Stranica: 105-112
<b>HU</b>	A készülék használatba vétele előtt gondosan olvassa el az útmutatót. A későbbi hivatkozások érdekében őrizze meg az útmutatót. Kérdés vagy probléma esetén forduljon ügyfélszolgálatunkhoz: <a href="mailto:support@annovireverberi.it">support@annovireverberi.it</a>	113-121. oldal
<b>LT</b>	Prieš pradėdami naudoti įrenginį, atidžiai perskaitykite šias instrukcijas. Išsaugokite šias instrukcijas, kad bet kada galėtumėte jas vėl perskaityti. Jei kyla problemų arba sunkumų, kreipkitės į klientų pagalbos liniją: <a href="mailto:support@annovireverberi.it">support@annovireverberi.it</a>	Puslapis: 122-129
<b>LV</b>	Pirms lietošanas, lūdz, rūpīgi izlasiet šo pamācību. Lūdz, saglabājiet šos norādījumus turpmākai uzziņai. Ja rodas kādas problēmas vai grūtības, lūdz, sazinieties ar klientu palīdzības dienestu: <a href="mailto:support@annovireverberi.it">support@annovireverberi.it</a>	Lappuse: 130-137
<b>NL</b>	Lees deze gebruiksaanwijzing vóór het gebruik aandachtig door. Bewaar deze gebruiksaanwijzing voor latere raadpleging. Contacteer bij problemen of moeijikheden de hulplijn voor de gebruikers: <a href="mailto:support@annovireverberi.it">support@annovireverberi.it</a>	Pagina: 138-147
<b>NO</b>	Les disse instruksjonene nøye før bruk. Ta vare på instruksjonene for senere bruk. Ved problemer eller vanskeligheter, kontakt kundeservice: <a href="mailto:support@annovireverberi.it">support@annovireverberi.it</a>	Side: 148-155
<b>PL</b>	Przed użyciem należy uważnie przeczytać niniejszą instrukcję obsługi. Instrukcję należy zachować na przyszłość. W razie jakichkolwiek problemów lub trudności można skontaktować się z działem pomocy technicznej pod adresem: <a href="mailto:support@annovireverberi.it">support@annovireverberi.it</a>	Strona: 156-165
<b>PT</b>	Leia atentamente estas instruções antes de utilizar o aparelho. Conserve estas instruções para consultas futuras. Em caso de problemas ou dificuldades, contacte a helpline de atendimento aos consumidores: <a href="mailto:support@annovireverberi.it">support@annovireverberi.it</a>	Página: 166-175
<b>RO</b>	Vă rugăm să citiți cu atenție aceste instrucțiuni înainte de utilizare. Vă rugăm să păstrați aceste instrucțiuni pentru consultarea pe viitor. În caz de probleme sau dificultăți, vă rugăm să contactați linia de asistență a clienților: <a href="mailto:support@annovireverberi.it">support@annovireverberi.it</a>	Pagina: 176-184
<b>RU</b>	Внимательно прочитайте эти инструкции до начала использования. Сохраните инструкции для пользования ими в будущем. При появлении проблем или затруднений обращайтесь в отдел обслуживания клиентов: <a href="mailto:support@annovireverberi.it">support@annovireverberi.it</a>	Страница: 185-194
<b>SK</b>	Pred použitím si, prosím, pozorne prečítajte tento návod. Tento návod si odložte na použitie v budúcnosti. Ak narazíte na akékoľvek problémy alebo ťažkosti, obráťte sa na linku pomoci pre zákazníkov: <a href="mailto:support@annovireverberi.it">support@annovireverberi.it</a>	Strana: 195-202
<b>SL</b>	Pred uporabo pazljivo preberite ta navodila. Ta navodila shranite za prihodnjo uporabo. Če naletite na težave, se obrnite na službo za pomoč kupcem: <a href="mailto:support@annovireverberi.it">support@annovireverberi.it</a>	Stran: 203-210
<b>SV</b>	Läs bruksanvisningen noggrant före användning. Förvara bruksanvisningen för framtida bruk. Vid ev. problem eller frågeställningar, kontakta kundtjänst på <a href="mailto:support@annovireverberi.it">support@annovireverberi.it</a>	Sid.: 211-219
<b>TR</b>	Kullanmadan önce, bu talimatları dikkatlice okuyunuz. Bu talimatları, ileride danışmak için saklayınız. Problem veya zorluk durumunda, tüketici yardım hattına başvurunuz: <a href="mailto:support@annovireverberi.it">support@annovireverberi.it</a>	Sayfa: 220-228
<b>UK</b>	Перед експлуатацією уважно прочитайте цю інструкцію. Зберігайте цю інструкцію для подальшого використання в довідкових цілях. У разі виникнення проблем або труднощів звертайтеся до нашої служби підтримки: <a href="mailto:support@annovireverberi.it">support@annovireverberi.it</a>	Сторінку: 229-238



1



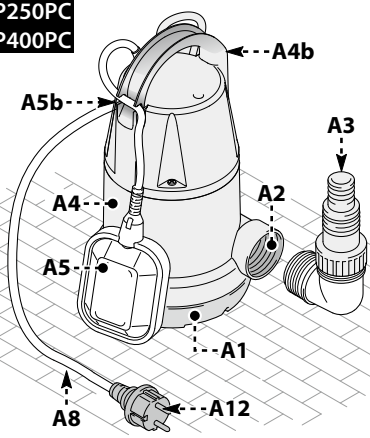
D1-D2-D3

E3 →

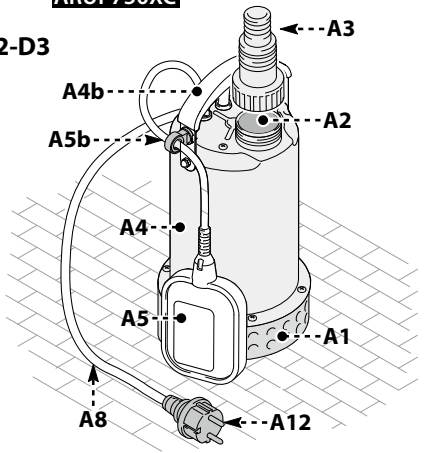


← E1

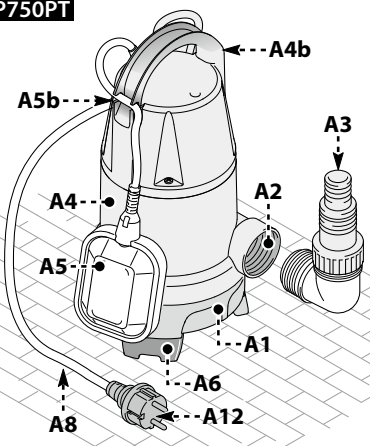
**ARUP250PC**  
**ARUP400PC**



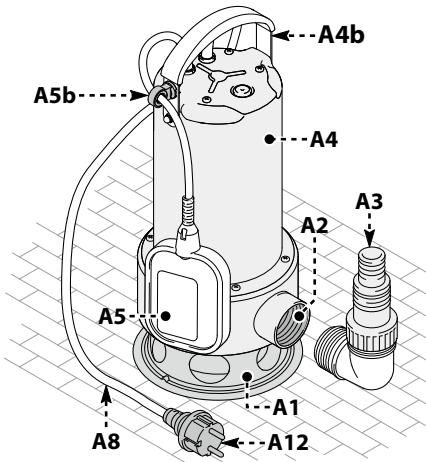
**ARUP750XC**

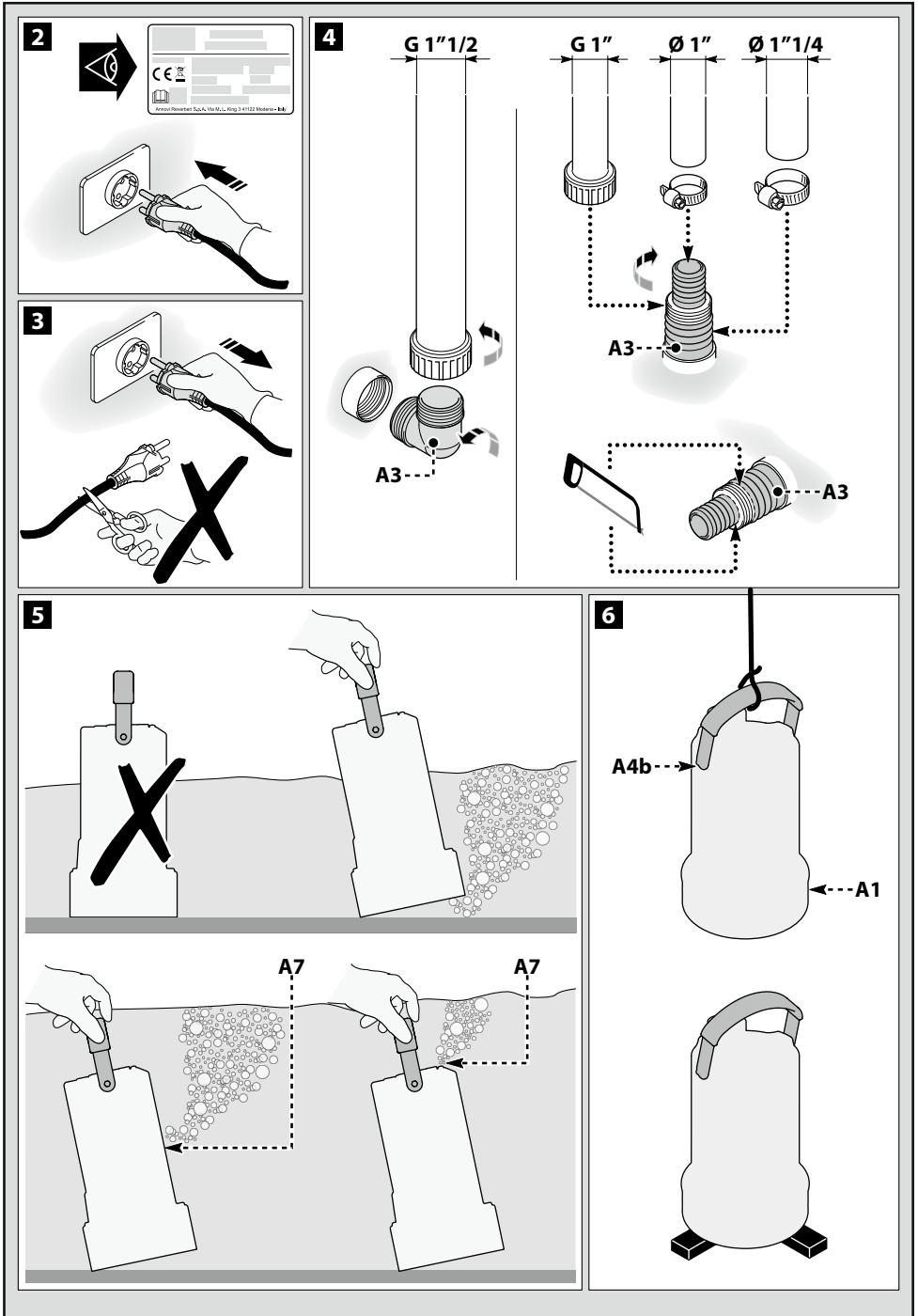


**ARUP750PT**



**ARUP1100XD**





## 1 SAFETY INSTRUCTIONS


1.1 The appliance you have purchased is produced by one of Europe's top manufacturers of household and gardening pumps. Our appliances are not designed to withstand the stresses typical of commercial or industrial use, or for continuous duty. You must know and comply with the instructions provided in this manual to get the most from your pump. During connection, use and servicing of the appliance, take all possible precautions to protect your own safety and that of the people in the immediate vicinity. Read the safety regulations carefully and comply with them strictly; failure to do so may put health and safety at risk or cause expensive damage. The manufacturer is not responsible for any damage caused by incorrect or improper use.


## 2 SAFETY DECALS / INFORMATIVE DECALS


EN

2.1 Comply with the recommendations of the decals affixed to the appliance. Check that they are present and legible; otherwise, fit replacements in the original positions.

 **Warning - Danger**


 **Please read these instructions carefully before use.**

 **Symbol E1.** The appliance must **not** be disposed of as household waste; it may be returned to the dealer on purchase of a new appliance. The appliance's electrical and electronic parts must not be reused for improper uses because they contain substances which constitute health hazards.

 **Symbol E3.** Indicates that the appliance is intended for household use.



**CE Symbol.** Indicates that the appliance complies with the relevant EU directives.

 **This produce is rated in insulation class I.** This means that it is equipped with a protective earthing conductor (only if the symbol appears on the appliance).



### 3 SAFETY RULES / RESIDUAL RISKS

#### 3.1 SAFETY PRECAUTIONS: DO NOTS

- 3.1.1 Injury hazard!** DO NOT allow the appliance to be used by children or persons with impaired physical, sensory or mental capabilities, or who do not have the necessary experience and knowledge. Children must not use the appliance as a toy. Cleaning and user maintenance must not be carried out by children.
- 3.1.2 Explosion or poisoning hazard!** Never use the appliance with flammable, toxic or aggressive liquids, or liquids with characteristics incompatible with its proper operation.
- 3.1.3 Injury hazard!** Do not point the water jet at people or animals.
- 3.1.4 Electrocutation hazard!** Do not point the water jet at the appliance, electrical parts or other electrical devices.
- 3.1.5 Short-circuit hazard!** Do not use the appliance outdoors in the rain. This does not apply to submersible pumps, which may also be used in the rain; however, it is essential to ensure that the connections of the plug (A12) and any extension leads used are protected from water splashes and flooding.
- 3.1.6 Injury hazard!** Do not allow the appliance to be used by children, persons with impaired physical, sensory or mental capabilities, or any unauthorised persons.
- 3.1.7 Electrocutation hazard!** Do not touch the plug (A12) and/or socket with wet hands.
- 3.1.8 Electrocutation and short-circuit hazard!** If the power cable (A8) is damaged, it must be replaced by the manufacturer, one of its authorised Service Centres or similarly qualified persons in order to prevent all risks.
- 3.1.9 Explosion hazard!** Do not use the appliance if the suction or delivery hose is damaged.
- 3.1.10 Injury hazard!** Place the appliance in a stable position; when using the appliance in the vicinity of swimming-pools, garden ponds or other outdoor bodies of water, keep it at least 2 m from the water's edge and protect it from falling into the water or flooding. This does not apply to submersible pumps, since they can be used immersed in water.
- 3.1.11 Injury hazard!** Check that the appliance is fitted with the data plate which carries its specifications; contact your dealer at once if it is missing. Appliances without data plate must not be used, since they cannot be identified and are potentially hazardous.
- 3.1.12 Explosion hazard!** No adjustment of control valves, safety valves or other safety devices, or tampering with their settings, is permitted.



- 3.1.13 Scalding hazard!** In the event of a pressure switch malfunction or water supply failure, the water left inside the pump body (A4) may overheat and cause scalding when discharged.
- 3.1.14 Injury hazard!** Do not use the appliance unattended if there is the risk of fouling.
- 3.1.15 Short-circuit hazard!** Do not move the appliance around by pulling the plug (A12), the power cables (A8) or other connection fixtures; use the handle (A4b).
- 3.1.16 Explosion hazard!** Do not allow vehicles to drive over the suction or delivery hose. Do not drag or transport the appliance by the suction or delivery hose.
- 3.1.17 Injury hazard!** Do not use the appliance when people or pets are in the pumped liquid, or may come into contact with it.

## 3.2 SAFETY PRECAUTIONS: MUSTS

- 3.2.1 Short-circuit hazard!** All electrical conductors must be protected from splashes of water.
- 3.2.2 Electrocuting hazard!** Only connect the appliance to an electrical power source compliant with the relevant standards (IEC 60364-1); during start-up, the appliance may generate interference on the electrical system. Only connect the appliance to a socket fitted with a residual current device rated at 30 mA or less. Use only electrical extension leads compliant with the relevant regulations, approved for outdoor use and with gauge at least equal to that of the appliance's power cable. Power cables wound onto reels must be completely unwound.
- 3.2.3 Danger!** The appliance must never operate dry; always fill the pump body (A4) with water before starting it. Even a short period of operation without water may cause damage.
- 3.2.4 Accidental switch-on hazard!** Always disconnect the plug (A12) from the power socket before carrying out any work on the appliance.
- 3.2.5 Danger!** To guarantee the appliance's safety, the maximum temperature of the pumped liquid must not exceed 35°C. The ambient temperature must not drop below +5°C.
- 3.2.6 Danger!** The appliance is not designed to pump drinking water or water for human consumption. The pumped water may be contaminated by lubricant leaks.
- 3.2.7 Injury hazard!** Maintenance and/or repair of the appliance or electrical components must only be carried out by specialist staff.
- 3.2.8 Injury hazard!** Discharge residual pressure before disconnecting the hose from the appliance; to do this, disconnect the appliance from the electricity supply and open a user outlet.
- 3.2.9 Injury hazard!** Before use, and at regular intervals, inspect the accessories and check the appliance's components for signs of failure and/or wear.





**4 GENERAL INFORMATION****4.1 Use of the manual**

This manual forms an integral part of the appliance and should be kept for future reference. Please read the manual carefully before installing/using the appliance. If the appliance is sold, the seller must pass on this manual to the new owner along with the appliance. Ensure that every user has access to the manual before the appliance is started up, and is able to find out about the safety and operating instructions.

**4.2 Delivery**

The appliance is delivered in a cardboard box.

The supply package is illustrated in fig.1.

**4.2.1 Informative material supplied with the appliance**

- D1 Use and maintenance manual
- D2 Safety instructions
- D3 Warranty regulations

**4.3 Disposing of packaging**

The packaging materials are not environmental pollutants but must still be recycled or disposed of in compliance with the relevant legislation in the country of use.

**5 TECHNICAL INFORMATION****5.1 Intended use**

These appliances are suitable for pumping clean water or soiled water containing suspended solids no more than 35 mm in size (e.g. for pump-out in the event of flooding, or for use in rainwater holding tanks or reservoirs). Bear in mind the permitted particle size for the type of appliance used; particle sizes and additional technical data are provided in the safety data table in this manual.

Appliances for particle sizes up to 5 mm are suitable for clean water, and those for particles of 25 mm and over are for use with soiled water. Sand and gravel are not included in references to particles and/or solids! The reference is to soft, flexible materials (e.g. lint or leaves) which will not jam inside the pump body (A4) and therefore will not block the impeller and damage the motor. If it is not possible to ensure that the pumped liquid does not contain sand or gravel, the appliance must not be run unattended. If the impeller jams, the appliance must be switched off at once and the impeller must be freed from obstructions by flushing it with clean water.

The appliance conforms to the EN 60335-2-41 European standard.

**5.2 Improper use**

Use by unskilled persons or those who have not read and understood the instructions in the manual is forbidden.

Supplying the appliance with flammable, explosive, toxic or chemically aggressive liquids is forbidden.

Use of the appliance in a potentially flammable or explosive atmosphere is forbidden.

All modifications to the appliance are prohibited. Any modifications made to the appliance render the warranty null and void and relieve the manufacturer of all liability under civil and criminal law.

Grinding and polishing substances, or other substances which attack materials, damage the appliance. These appliances are not suitable for pumped liquids containing abrasive sand, mud or clay. These appliances are suitable for pumping water for sanitary purposes, but not for pumping drinking water!

Faecal substances may not be pumped with these appliances.

Appliances are not suitable for use as fountain pumps, as filter pumps for garden ponds or for continuous operation (e.g. the continuous recycling of water in swimming-pool filter systems, or industrial use).

Do not run the appliance when dry, or pump liquids with a valve closed!

**5.3 Main components (fig. 1)**

- A1 Suction strainer
- A2 Delivery fitting
- A3 Delivery sleeve
- A4 Pump body
- A4b Handle
- A5 Float switch
- A5b Float switch cable clip
- A6 Folding feet (if installed)
- A7 Bleeder hole
- A8 Power cable
- A12 Plug

**6 INSTALLATION****Warning - danger!**

All installation and assembly operations must be performed with the appliance disconnected from the mains power supply (fig. 3).

**Warning - danger!**

Before use, always perform a visual check on the appliance, and especially the plug (A12) and power cable (A8), for damage. A damaged appliance must not be used; in the event of damage, have the appliance inspected by the Service Centre or an authorised electrician.

**Warning - danger!**

If the power cable (A8) is cut, the warranty becomes null and void and a replacement genuine power cable (A8) must be installed during the repair, at the customer's expense (even in case of repair under warranty). If it is necessary to extend the power cable (A8), only use an extension with gauge at least equal to that of the original power cable (A8). Never lift the appliance or remove the plug (A12) from the socket by means of the power cable (A8).

**6.1 Fitting the delivery hose**

Before connecting the delivery hose, cut the delivery sleeve (A3) and shape it so that it will guarantee the highest possible flow rate in combination with the hose used (fig. 4).

Ideally, the hose diameter should be larger than the approved particle size for the appliance. Smaller hose diameters drastically reduce the flow rate. Screw the sleeve onto the pump body (A4), then connect the delivery hose to the delivery sleeve (A3, fig. 4).

**6.2 Bleeding the appliance**

Immerse the appliance in the pumped liquid, tilted, to expel all the air from the body (fig. 5). Hold the appliance in this tilted position until no more air bubbles come out; the appliance is therefore ready for use. There is a bleeder hole (A7) between the top and bottom parts of plastic appliances to allow the air to escape slowly. When all the air has escaped, water comes out of this hole; this is necessary for technical reasons and is not a defect. The flow rate stated in the technical data allows for this leak!

In steel pumps, this bleeder hole (A7) is in the top of the appliance.

**6.3 Notes on the place of installation**

Before installing the appliance, a recovery rope must be fitted to the handle (A4b) to allow it to be lowered into place/recovered easily (fig.6).

If possible, the appliance should be suspended in the pumped liquid, far enough off the bottom to prevent it from sucking in solids of inappropriate size which may foul the suction strainer (A1) or jam the impeller (fig. 6). Otherwise, the appliance can also be slightly raised above the bottom (e.g. placed on bricks, fig. 6); however, in this case it will suck in more dirt particles, which may eventually obstruct it

Once the appliance has been switched off, the water in the hose flows back; this can be prevented by fitting a check valve. Installing a quick shut-off valve to disconnect the hose in a suitable point simplifies cleaning and maintenance. If the appliance is used in a drain sump or pump pit, the holding reservoir must be large enough in volume to ensure that the appliance is able to operate.

The appliance's float switch (A5) must be able to float freely, with no restrictions, as otherwise normal operation cannot be assured. If it is not certain that the float switch (A5) is able to trip on and off correctly, the appliance must only be run under supervision.

#### 6.4 Safety Measures

The user must prevent damage arising from the flooding of premises or other causes in the event of a failure of the appliance or external components by adopting suitable measures (e.g. installation of an anti-flooding protection circuit, alarm system, backup pump, collection tank or similar features), which must be connected to a separate, fail-safe electrical circuit. The safety measures must be suited to the specific conditions of use and must be able to reduce and/or prevent the damage caused by water leaks.

The user must also install a spray guard to prevent water leaks or splashes due to a pump failure from causing damage. A backup pump or a floor drain must be installed to ensure that any water from leaks is promptly removed. Otherwise, an alarm system can be installed to trigger an alarm and/or an emergency shut-down of the appliance and water supply in the event of a water leak, before damage to the equipment or property can occur.

We also recommend raising all equipment in appliance installation rooms about 5-10 cm above the floor so that any water leaks will not cause immediate damage. The manufacturer accepts no liability for damage caused by failure to comply with this recommendation.

#### Warning - danger! Dry operation

If the appliance runs for more than 5 minutes with the water suction point closed, it may be damaged due to overheating. Switch off the appliance when the normal water flow is obstructed.

Dry operation will damage the appliance beyond repair, so never allow it to run dry for more than 10 seconds.

### 7 ADJUSTMENTS

#### 7.1 Preliminary adjustments

The appliance is ready for operation; the only setting required is adjustment of the float switch (A5) on and off tripping points to suit the specific application.

#### 7.2 Float switch adjustment

To adjust the float switch tripping point, shorten the cable of the float switch in its clip (A5b, fig. 7). The shorter the cable, the longer before the switch trips on and the sooner it will trip off.

#### 7.3 Special functions

##### 7.3.1 Base variable for clean water or wastewater

In multi-purpose models, the feet on the base of the appliance can be folded (A6) to switch the pump from wastewater to clean water mode. In this case, the appliance sucks in water down to a residual depth of 5 mm, but it is only able to deal with suspended solids with particle size up to max. 5 mm (fig. 8).

### 8 START-UP AND PRIMING

#### Warning - danger!

All installation and assembly operations must be performed with the appliance disconnected from the mains power supply (fig. 3).

#### 8.1 Start-up

After connecting the appliance as described in point 6 and after implementing all safety instructions, the plug (A12) can be connected. The appliance then starts automatically when the water level reaches the height set for tripping of the float switch, and switches off again when the switch-off level is reached.

#### 8.2 Priming the pump

For priming / start-up, the appliance needs a water level about 30 - 50 mm above the minimum suction level. Once the appliance has been primed, it is then able to pump down to the minimum level set. The appliance sucks in water through the suction strainer (A1) in its base and conveys it along a delivery hose connected to the delivery sleeve (A3).

If water is not sucked in even though the water level is sufficient and the motor is running, there may still be air in the pump body (A4). Proceed as described in point 6.2 and bleed the appliance again.

#### 8.3 Priming the pump

The appliance's stated flow rate values are maximum values, which are reduced if external components (e.g. delivery hose, elbows, restrictors, etc.) are used. This should be borne in mind when choosing the appliance. The actual flow rate for specific installation conditions is stated in the flow rate graph (fig. 9).

### 9 MAINTENANCE

#### Warning - danger!

Before any maintenance procedure and/or during troubleshooting, disconnect the power cable (A8) from the socket. All maintenance and cleaning work can then be carried out.

#### 9.1 Cleaning

After each use, sluice the appliance and all external components with clean water. Remove hard deposits with a jet of water. Dirt and clay inside the pump body (A4) cause jamming of the impeller, leading to malfunctions when the pump is restarted.

In the event that this procedure is overlooked, the appliance can be immersed in water at up to 35°C for several days to dissolve the dirt.

#### 9.2 Operating check

Check tripping of the float switch (A5) regularly to prevent malfunctions.

### 10 STORAGE

It is essential to protect the appliance from frost, and in case of temperatures of +5°C or below it must be uninstalled and stored in a dry place, protected from frost.

**11 TROUBLESHOOTING**

Problems	Possible causes	Remedies
<b>The appliance does not pump water because the motor is not running</b>	1. Mains voltage too low.	1. Check that mains power is present and that the plug (A12) is firmly connected.
	2. Plug (A12) not properly connected.	2. Firmly connect the plug (A12).
	3. Residual current device tripped.	3. Reset the residual current device. If the device trips again, consult an electrician.
	4. Impeller jammed.	4. Free the impeller from possible obstructions.
	5. Motor or capacitor damaged.	5. Notify the dealer.
<b>The appliance does not pump water even though the motor is running</b>	1. Suction strainer (A1) fouled.	1. Clean the suction strainer (A1).
	2. Check valve jammed (if installed).	2. Clean or replace the valve (if installed).
	3. Air bubble in pump body (A4).	3. Tilt the appliance under water to allow the air to escape from the pump body (A4).
<b>The appliance only delivers a small amount of water</b>	1. Suction strainer (A1) partially fouled.	1. Clean the suction strainer (A1).
	2. Hose obstructed.	2. Remove the obstruction.
	3. Delivery hose too small.	3. Use hoses of at least $\varnothing 25$ mm (1").
	4. Water discharge point too high in relation to appliance.	4. Remember that excessive head will reduce the flow rate.
<b>Uneven operation</b>	1. Solids are obstructing free rotation of the impeller.	1. Remove the dirt!
	2. Liquid too hot.	2. The maximum temperature of the pumped liquid must not exceed 35°C.
	3. Electrical voltage outside tolerance range.	3. Connect the appliance to an electrical system which meets the requirements stated on the nameplate.
	4. Motor faulty.	4. Notify the dealer.
<b>Water leaking from pump body (A4)</b>	1. Water leaks from the bleeder hole (A7) between the top and bottom parts.	1. No action needed; the bleeder hole is a technical necessity.

**WARRANTY**

The warranties relating to the appliances described in this manual are conditional on compliance with all the recommendations it contains, especially those relating to use, installation and operation.

The validity of the warranty is in accordance with the relevant legislation in the country where the product is sold (unless otherwise stated by the producer).

The warranty covers materials, construction and conformity defects during the warranty period, during which time the manufacturer will replace defective parts and repair the product if not excessively worn, or replace it.

Requests for service under warranty must be accompanied by the original proof of purchase.

The warranty does not cover the costs of dismantling and installing the appliance concerned in the place of use, travel costs to and from the place of use for repair staff, or transport costs.

Claims arising from incorrect installation or operation, unsuitable conditions of use, negligence, commercial use or inappropriate repair attempts are not covered by the warranty and no responsibility is accepted for them; normal wear and tear is also excluded.

The resulting costs, and especially inspection and transport costs, will be charged to the sender and/or the appliance's operator. This also applies, in particular, when a warranty request is submitted but the appliance is found to be operating perfectly with no defects, or the problem is not due to defects in materials or workmanship.

Before return to the user, every product undergoes strict technical inspection. Repairs under warranty must only be performed by one of our Service Centres or an authorised repair workshop. Attempted repairs by the customer or unauthorised third parties during the warranty period will result in the loss of all warranty entitlement.

Cutting off the power plug and/or shortening the power cable result in loss of warranty entitlement.

Work done by us under warranty does not extend the duration of the warranty, or give rise to a new warranty period for the parts replaced or repaired.

All further entitlement, including the right to discounts, changes or compensation, or consequent damage of any kind, is excluded.

**In the event of malfunction, contact the point of sale where the product was purchased, showing proof of purchase.**

### Technical Data

Technical Data	Unit	ARUP250PC	ARUP400PC	ARUP750PT	ARUP750XC	ARUP1100XD
		Submersible clean water pump	Submersible clean water pump	Multifunction submersible clean/dirty water pump	Submersible clean water pump	Submersible dirty water pump
Voltage	V/Hz	230 V~ 50 Hz	230 V~ 50 Hz	230 V~ 50 Hz	230 V~ 50 Hz	230 V~ 50 Hz
Power	W	250	400	750	750	1100
Max. head ( $H_{max}$ )	m	6	8	8	8.5	10.5
Max. flow rate ( $Q_{max}$ )	l/h	6000	7000	13000	11000	16500
Max. water temperature ( $T_{max}$ )	°C	35	35	35	35	35
Max. immersion depth	m	7	7	7	7	7
Residual water level	mm	5	5	5 / 32	14	45
Max. particle size	Ø mm	5	5	5 / 30	5	35
Protection class	-	Ⓧ	Ⓧ	Ⓧ	Ⓧ	Ⓧ
Motor insulation	-	Class F	Class F	Class F	Class F	Class F
Motor protection	-	IPX8	IPX8	IPX8	IPX8	IPX8
Net weight	kg	3.7	4.2	5.2	5.0	6.6
Gross weight	kg	4.4	4.6	5.8	5.6	7.2
Fitting diameter	mm	25.4 – 31.75 – 38.1	25.4 – 31.75 – 38.1	25.4 – 31.75 – 38.1	25.4 – 31.75	25.4 – 31.75 – 38.1
Cable length	m	10	10	10	10	10

**Subject to technical modification!**

### EC Declaration of Conformity

We, Anнови Reverberi S.p.A, of Modena, Italy, declare that the following AR Blue Clean appliance(s):

Designation of appliance:	Submersible clean water pump	Submersible clean water pump	Multifunction submersible clean/dirty water pump	Submersible clean water pump	Submersible dirty water pump
<b>Model No.:</b>	<b>ARUP250PC</b>	<b>ARUP400PC</b>	<b>ARUP750PT</b>	<b>ARUP750XC</b>	<b>ARUP1100XD</b>
Rated power:	250 W	400 W	750 W	750 W	1100 W

is (are) compliant with the following European directives:

2014/35/EU, 2014/30/EU, 2011/65/EU, 2015/863/EU, 2000/14/EC, 2012/19/EU.

and was (were) produced in compliance with the following norms or standardised documents:

EN 60335-1; EN 60335-2-41; EN 55014-1; EN 55014-2; EN 61000-3-2; EN 61000-3-3; EN 62233; EN IEC 63000.

Name and address of the person responsible for issuing the technical file: Stefano Reverberi / AR Managing Director Via ML King, 3 - 41122 Modena, Italy.

The conformity assessment procedure required by Directive 2000/14/EC has been performed in accordance with Annex V.



Stefano Reverberi / Managing Director

Date: 23.09.2021 - MODENA (I)

## 1 ISTRUZIONI PER LA SICUREZZA


1.1 L'apparecchio che avete acquistato è prodotto da un costruttore leader a livello europeo di pompe per uso domestico e pompe da giardino. I nostri apparecchi non sono adatti per le sollecitazioni tipiche dell'uso commerciale o industriale e per il funzionamento continuo. L'utilizzo ottimale dell'apparecchio presuppone la conoscenza e il rispetto delle istruzioni contenute in questo manuale. In fase di allacciamento, uso e manutenzione dell'apparecchio adottare tutte le precauzioni possibili per salvaguardare la propria sicurezza e quella delle persone nelle immediate vicinanze. Leggere con attenzione e rispettare strettamente le istruzioni di sicurezza poiché, se trascurate, possono mettere a rischio la salute e la sicurezza delle persone o provocare danni economici. Il produttore non è responsabile di eventuali danni causati da utilizzo errato o uso improprio.


## 2 ADESIVI DI SICUREZZA / ADESIVI INFORMATIVI

2.1 Attenersi alle etichette applicate sull'apparecchio. Verificare che siano sempre presenti e leggibili; in caso contrario sostituirle applicandone di nuove nella posizione originale.

 **Attenzione - Pericolo**


 **Leggere attentamente queste istruzioni prima dell'uso.**

 **Icona E1.** Vieta lo smaltimento dell'apparecchio come rifiuto domestico; può essere riconsegnato al distributore all'atto dell'acquisto di un apparecchio nuovo. Le parti elettriche ed elettroniche costituenti l'apparecchio non devono essere riutilizzate per usi impropri a causa della presenza di sostanze dannose alla salute.

 **Icona E3.** Indica che l'apparecchio è destinato all'uso domestico.



**CE Simbolo CE.** Indica che l'apparecchio è conforme alle direttive UE vigenti.

 **Questo prodotto è in classe di isolamento I.** Ciò significa che è equipaggiato di un conduttore di protezione di messa a terra (solo se il simbolo appare sull'apparecchio).



### 3 PRESCRIZIONI DI SICUREZZA / RISCHI RESIDUI

#### 3.1 AVVERTENZE: NON FARE

- 3.1.1 Pericolo di lesioni!** L'apparecchio NON può essere utilizzato da bambini e da persone con ridotte capacità fisiche, sensoriali o mentali, o prive di esperienza o della necessaria conoscenza. I bambini non devono giocare con l'apparecchio. La pulizia e la manutenzione destinata ad essere effettuata dall'utilizzatore non deve essere effettuata da bambini.
- 3.1.2 Pericolo di esplosione o di avvelenamento!** Non utilizzare in alcun caso l'apparecchio con liquidi infiammabili, tossici o aggressivi o con liquidi che possano comprometterne il corretto funzionamento.
- 3.1.3 Pericolo di lesioni!** Non dirigere il getto dell'acqua contro persone o animali.
- 3.1.4 Pericolo di folgorazione!** Non dirigere il getto d'acqua sull'apparecchio, su parti elettriche o su altri apparecchi elettrici.
- 3.1.5 Pericolo di corto circuito!** Non utilizzare l'apparecchio all'aperto in caso di pioggia. Ciò non vale per le pompe sommergibili, che possono essere utilizzate anche in caso di pioggia; occorre tuttavia garantire che la spina (A12) ed eventuali prolunghe dell'apparecchio siano collegate al riparo dagli spruzzi d'acqua e dagli allagamenti.
- 3.1.6 Pericolo di lesioni!** Non consentire l'utilizzo dell'apparecchio da parte di bambini o di persone con limitate capacità sensoriali, fisiche o mentali o comunque non autorizzate.
- 3.1.7 Pericolo di folgorazione!** Non toccare la spina (A12) o la presa con le mani bagnate.
- 3.1.8 Pericolo di folgorazione e cortocircuito!** Se il cavo elettrico (A8) è danneggiato, esso deve essere sostituito dal costruttore o dal suo servizio assistenza tecnica o comunque da una persona con qualifica simile, in modo da prevenire ogni rischio.
- 3.1.9 Pericolo di scoppio!** Non utilizzare l'apparecchio con tubo di aspirazione o di mandata danneggiato.
- 3.1.10 Pericolo di lesioni!** Collocare l'apparecchio stabilmente; in caso di utilizzo dell'apparecchio vicino a piscine, stagni da giardino o altri bacini d'acqua aperti, mantenere una distanza minima di 2 m e proteggere l'apparecchio contro la caduta in acqua o l'allagamento. Ciò non vale per le pompe sommergibili, poiché queste possono essere utilizzate immerse in acqua.
- 3.1.11 Pericolo di lesioni!** Controllare che l'apparecchio sia provvisto della targhetta recante le caratteristiche specifiche, in caso contrario avvertire immediatamente il rivenditore. Gli apparecchi sprovvisti di targhetta caratteristiche non devono essere usati, essendo anonimi e potenzialmente pericolosi.



- 3.1.12 Pericolo di scoppio!** Non è consentito intervenire su valvole di comando, valvole di sicurezza o altri dispositivi di sicurezza, né modificarne le regolazioni.
- IT 3.1.13 Pericolo causato da acqua calda!** In caso di pressostato difettoso o assenza di alimentazione idrica, l'acqua ancora presente nel corpo pompa (A4) può surriscaldarsi e causare lesioni alla sua fuoriuscita.
- 3.1.14 Pericolo di lesioni!** Non utilizzare l'apparecchio senza sorveglianza se sussiste il pericolo che corpi estranei possano ostruirlo.
- 3.1.15 Pericolo di corto circuito!** Non trasportare l'apparecchio tirando la spina (A12), il cavo elettrico (A8) o altri elementi di allacciamento; utilizzare la maniglia (A4b).
- 3.1.16 Pericolo di scoppio!** Evitare il passaggio di veicoli sul tubo di aspirazione o di mandata. Non tirare o trasportare l'apparecchio mediante il tubo di aspirazione o di mandata.
- 3.1.17 Pericolo di lesioni!** Non utilizzare l'apparecchio quando persone o animali sostano nel liquido pompato o possono entrare in contatto con esso.

## 3.2 AVVERTENZE: FARE

- 3.2.1 Pericolo di corto circuito!** Tutte le parti conduttrici di corrente devono essere protette contro gli spruzzi d'acqua.
- 3.2.2 Pericolo di folgorazione!** Allacciare l'apparecchio esclusivamente a una sorgente di elettricità idonea e conforme alle normative vigenti (IEC 60364-1); durante la fase di avviamento l'apparecchio può generare disturbi in rete. Collegare l'apparecchio solo a una presa provvista di interruttore differenziale con corrente residua nominale non superiore a 30 mA. Utilizzare esclusivamente prolunghie conformi alle normative vigenti, approvate per l'impiego all'aperto e con una sezione pari almeno a quella del cavo di alimentazione dell'apparecchio. I cavi elettrici avvolti in avvolgicavo devono essere completamente srotolati.
- 3.2.3 Pericolo!** L'apparecchio non deve mai funzionare a secco; prima di accenderla riempire sempre con acqua il corpo pompa (A4). Anche un breve periodo di funzionamento senza acqua può causare danni.
- 3.2.4 Pericolo di accensione non intenzionale!** Prima di qualsiasi intervento sull'apparecchio estrarre la spina (A12) dalla presa di corrente.
- 3.2.5 Pericolo!** Per garantire la sicurezza dell'apparecchio, la temperatura massima del liquido pompato non deve superare i 35°C. La temperatura ambientale non deve scendere al di sotto di +5°C.
- 3.2.6 Pericolo!** L'apparecchio non è destinato al pompaggio di acqua potabile o acqua per consumo umano. L'acqua trasportata dall'apparecchio può essere contaminata da perdite di lubrificante.





- 3.2.7 Pericolo di lesioni!** La manutenzione e/o la riparazione dell'apparecchio o dei componenti devono essere effettuate solo da personale specializzato.
- 3.2.8 Pericolo di lesioni!** Scaricare la pressione residua prima di staccare il tubo dall'apparecchio; a tale scopo scollegare l'apparecchio dall'alimentazione elettrica e aprire un'utenza.
- 3.2.9 Pericolo di lesioni!** Prima dell'uso e a intervalli regolari controllare gli accessori e verificare che i componenti dell'apparecchio non presentino segni di rottura e/o usura.

IT



## 4 INFORMAZIONI GENERALI

### 4.1 Uso del manuale

Il presente manuale è parte integrante dell'apparecchio; conservare con cura per future consultazioni. Leggere attentamente il manuale prima dell'installazione/uso. In caso di passaggi di proprietà il cedente ha l'obbligo di consegnare il manuale al nuovo proprietario. Accertarsi che ogni utilizzatore disponga del manuale prima della messa in funzione dell'apparecchio e possa informarsi sulle istruzioni di sicurezza e per l'uso.

### 4.2 Consegna

L'apparecchio è consegnato all'interno di un imballo di cartone.

Per la composizione della fornitura vedere fig. 1.

#### 4.2.1 Materiale informativo in dotazione

- D1 Manuale di uso e manutenzione
- D2 Istruzioni per la sicurezza
- D3 Regole garanzia

### 4.3 Smaltimento degli imballi

I materiali costituenti l'imballo non sono inquinanti per l'ambiente, tuttavia devono essere riciclati o smaltiti secondo la normativa vigente nel paese di utilizzo.

## 5 INFORMAZIONI TECNICHE

### 5.1 Uso previsto

Questi apparecchi sono adatti al pompaggio di acqua pulita o sporca contenente corpi solidi in sospensione con una grandezza massima fino a 35 mm (p.es. svuotamento in caso di allagamento o impiego in bacini di raccolta di acqua piovana). Tenere presente la rispettiva granulometria del tipo apparecchio utilizzato; granulometria e ulteriori dati tecnici sono riportati nella scheda tecnica del presente manuale.

Gli apparecchi con una granulometria fino a 5 mm sono adatti per acqua pulita, quelli a partire da 25 mm sono indicati per acqua sporca. L'indicazione di una granulometria e/o di corpi solidi non si riferisce a sabbia o sassi! Si riferisce a elementi teneri e flessibili (p.es. lanugine o foglie) che non si incastrano all'interno del corpo pompa (A4) e che pertanto non bloccano la girante, causando di conseguenza guasti al motore. Se non è possibile accertare che il liquido pompato non contenga sabbia o sassi, l'apparecchio deve essere azionato solo dietro supervisione. In caso di blocco della girante, l'apparecchio deve essere spento immediatamente e la girante deve essere liberata da ostruzioni risciacquandola con acqua pulita.

L'apparecchio è conforme alla norma europea EN 60335-2-41.

### 5.2 Uso non consentito

È vietato l'uso a persone inesperte o che non abbiano letto e compreso le istruzioni riportate nel manuale.

È vietato alimentare l'apparecchio con liquidi infiammabili, esplosivi, tossici o chimicamente aggressivi.

È vietato utilizzare l'apparecchio in atmosfera potenzialmente infiammabile o esplosiva.

È vietato eseguire modifiche all'apparecchio; l'esecuzione di modifiche fa decadere la garanzia ed esonera il produttore da responsabilità civili e penali.

Sostanze smeriglianti o altre sostanze che attaccano i materiali distruggono l'apparecchio. Questi apparecchi non sono adatti per l'impiego in liquidi pompati contenenti sabbia, fango o argilla abrasivi. Questi apparecchi sono adatti per il pompaggio di acqua per i servizi, mentre non sono idonei per il pompaggio di acqua potabile!

Con questi apparecchi non è consentito trasportare sostanze fecali.

Gli apparecchi non sono adatti per essere utilizzati come pompe per fontane, pompe di filtraggio per stagni da giardino o per il funzionamento continuo (p.es. in modalità a ricircolo continuo negli impianti di filtraggio di piscine o per un impiego industriale).

Evitare il funzionamento secco dell'apparecchio o il pompaggio di liquidi con una valvola chiusa!

### 5.3 Parti principali (fig. 1)

- A1 Griglia di aspirazione
- A2 Raccordo di mandata
- A3 Manicotto di mandata
- A4 Corpo pompa
- A4b Maniglia
- A5 Interruttore a galleggiante
- A5b Clip cavo per interruttore a galleggiante
- A6 Piedi pieghevoli (dove previsti)
- A7 Foro di sfatio
- A8 Cavo elettrico

## 6 INSTALLAZIONE

### ⚠ Attenzione - pericolo!

Tutte le operazioni d'installazione e montaggio devono essere effettuate con l'apparecchio scollegato dalla rete elettrica (fig. 3).

### ⚠ Attenzione - pericolo!

Prima dell'utilizzo effettuare sempre un controllo a vista per determinare se l'apparecchio, e in particolare spina (A12) e cavo elettrico (A8), sono danneggiati. Un apparecchio danneggiato non deve essere utilizzato; in caso di danni fare controllare l'apparecchio dal Centro Assistenza o da un elettricista autorizzato.

### ⚠ Attenzione - pericolo!

Tagliare il cavo elettrico (A8) comporta il decadimento della garanzia e l'installazione a pagamento, durante la riparazione (anche in caso di riparazioni in garanzia), di un cavo elettrico (A8) originale. Se il cavo elettrico (A8) deve essere allungato, utilizzare esclusivamente una prolunga la cui sezione sia almeno uguale a quella del cavo elettrico (A8) originale. Non sollevare mai l'apparecchio o estrarre la spina (A12) dalla presa usando il cavo elettrico (A8).

### 6.1 Montaggio del tubo di mandata

Prima di montare il tubo di scarico, tagliare a formato il manicotto di mandata (A3) in modo da garantire il flusso massimo possibile in combinazione con il tubo utilizzato (fig. 4).

L'ideale è un diametro del tubo che superi la granulometria dell'apparecchio. Diametri dei tubi inferiori riducono drasticamente la portata. Avvitare il manicotto sul corpo pompa (A4), quindi collegare il tubo di mandata al manicotto di mandata (A3, fig. 4).

### 6.2 Sfiato dell'apparecchio

Immergere l'apparecchio obliquamente nel liquido pompato affinché tutta l'aria possa fuoriuscire dal corpo (fig. 5). Tenere l'apparecchio in posizione obliqua finché non fuoriescono più bolle d'aria; l'apparecchio è quindi pronto per funzionare.

Fra il lato superiore e quello inferiore degli apparecchi in plastica è presente un foro di sfatio (A7) che permette la lenta fuoriuscita dell'aria. Quando è uscita tutta l'aria, da questo foro fuoriesce acqua; questo non è un errore ma è tecnicamente necessario. La portata indicata nei dati tecnici considera già questa perdita!

Negli apparecchi in acciaio inox questo foro di sfatio (A7) si trova nella parte superiore dell'apparecchio.

### 6.3 Note sul luogo di installazione

Prima di posizionare l'apparecchio è necessario fissare alla maniglia (A4b) una fune di recupero in modo da calare/recuperare il medesimo in maniera adeguata (fig.6).

L'apparecchio dovrebbe possibilmente essere sospeso nel liquido pompato ad una distanza sufficiente dal fondo, per evitare l'aspirazione di sostanze solide di dimensioni inadeguate e di conseguenza la possibile ostruzione della griglia di aspirazione (A1) o il blocco della girante (fig. 6). In alternativa l'apparecchio può anche essere leggermente rialzato da terra (p.es. collocata su mattone, fig. 6); in tal caso però verrà aspirata una maggiore quantità di particelle di sporco che possono eventualmente ostruire l'apparecchio.

Dopo lo spegnimento dell'apparecchio l'acqua presente nel tubo fluisce in senso inverso; ciò può essere impedito mediante l'installazione di una valvola di ritegno. L'installazione di una chiusura rapida per una separazione del tubo in un punto adatto agevola i lavori di pulizia e manutenzione. Se l'apparecchio viene utilizzato in un pozzetto fognario o in un pozzo per le pompe, la grandezza del bacino di raccolta deve essere sufficientemente ampio da non ostacolare il normale funzionamento dell'apparecchio.

L'interruttore a galleggiante (A5) dell'apparecchio non deve essere bloccato od ostacolato nel galleggiamento, poiché altrimenti non è possibile garantire un funzionamento regolare. Se non si è certi che l'interruttore a galleggiante (A5) possa attivarsi e disattivarsi regolarmente, l'apparecchio deve essere azionata solo sotto supervisione.

### 6.4 Misure di sicurezza

L'operatore deve escludere danni conseguenti a un allagamento di ambienti o altro in caso di guasti dell'apparecchio o di componenti esterni adottando misure adeguate (p.es. installazione di una protezione contro gli allagamenti, impianto d'allarme, pompa di riserva, vasca di raccolta e simili), da collegare a un circuito elettrico separato e a prova di guasto. Le misure di sicurezza devono essere adeguate alle singole situazioni di utilizzo ed essere in grado di ridurre e/o impedire i danni causati dalla fuoriuscita di acqua.

Inoltre, tramite una protezione contro gli spruzzi, l'utilizzatore deve provvedere affinché l'acqua fuoriuscita o spruzzata a seguito di un guasto, non arrechi danni. È necessario garantire che l'acqua fuoriuscita venga rimossa tramite una pompa di riserva o defluisca attraverso uno scarico. In alternativa può essere installato un impianto d'allarme che, in caso di fuoriuscita d'acqua, emetta un allarme e/o determini un arresto di emergenza dell'apparecchio e dell'alimentazione idrica prima che apparecchiature o immobili vengano danneggiati.

Negli ambienti dove vengono installati gli apparecchi raccomandiamo inoltre di rialzare tutte le apparecchiature di ca. 5 – 10 cm affinché l'acqua fuoriuscita non possa causare danni immediati. I danni causati dal mancato rispetto di queste prescrizioni non potranno essere rivendicati presso il produttore.

### **Attenzione - pericolo! Funzionamento a secco**

Se l'apparecchio funziona per più di 5 minuti con il punto di prelievo dell'acqua chiuso, può subire danni a causa del surriscaldamento. Spegnerne l'apparecchio quando il normale flusso dell'acqua è impedito. Il funzionamento a secco distrugge l'apparecchio, quindi non fare mai funzionare l'apparecchio a secco per più di 10 secondi.

## 7 REGOLAZIONI

### 7.1 Regolazioni preliminari

L'apparecchio è pronto per funzionare ed è necessario solo regolare i punti di attivazione e disattivazione dell'interruttore a galleggiante (A5) in base al proprio caso applicativo.

### 7.2 Regolazione dell'interruttore a galleggiante

Il punto di attivazione dell'apparecchio può essere regolato accorciando il cavo dell'interruttore a galleggiante nella relativa clip (A5b, fig. 7). Un cavo corto determina un punto di attivazione più tardivo e un disinserimento anticipato.

### 7.3 Funzioni speciali

#### 7.3.1 Base variabile per acque chiare o di scarico

Nei modelli multifunzione è possibile chiudere i piedi della base dell'apparecchio (A6), commutando così l'apparecchio dalla modalità di utilizzo per acque di scarico a quella per acque chiare. In questo caso l'apparecchio aspira acqua fino a una quantità residua di 5 mm, può trattare però solo sostanze in sospensione con granulometria fino a max. 5 mm (fig. 8).

## 8 MESSA IN FUNZIONE E PROCESSO DI ASPIRAZIONE

### **Attenzione - pericolo!**

Tutte le operazioni d'installazione e montaggio devono essere effettuate con l'apparecchio scollegato dalla rete elettrica (fig. 3).

### 8.1 Messa in funzione

Dopo che l'apparecchio è stato collegato come descritto nel paragrafo 6 e tutte le istruzioni per la sicurezza sono state considerate, è possibile inserire la spina (A12). L'apparecchio si attiva quindi automaticamente quando il livello dell'acqua raggiunge l'altezza impostata dell'interruttore a galleggiante e si spegne nuovamente al raggiungimento del livello di disattivazione.

### 8.2 Aspirazione dell'acqua

Per l'aspirazione / l'avviamento l'apparecchio necessita di un livello dell'acqua superiore di circa 30 – 50 mm rispetto alla quantità aspirata minima. Dopo che l'apparecchio ha iniziato ad aspirare, è poi in grado di pompare fino all'altezza minima indicata. L'apparecchio aspira l'acqua dalla griglia di aspirazione (A1) alla sua base e la trasporta tramite un tubo di mandata collegato al manicotto di mandata (A3).

Se nonostante un livello dell'acqua sufficiente e il motore in funzione l'acqua non viene aspirata è possibile che sia presente aria residua nel corpo pompa (A4). Procedere come descritto al punto 6.2 e sfatare nuovamente l'apparecchio.

### 8.3 Aspirazione dell'acqua

I valori di portata dell'apparecchio indicati sono valori massimi, che si riducono utilizzando componenti esterni (p.es. tubo di mandata, angolari, riduzioni ecc.). Si prega di tenere presente questo aspetto nella scelta dell'apparecchio. La portata effettiva per gli specifici casi applicativi è indicata nel diagramma di portata (fig. 9).

---

**9** MANUTENZIONE

---

 **Attenzione - pericolo!**

Prima di ogni intervento di manutenzione e/o durante la ricerca guasti scollegare il cavo elettrico (A8) dalla presa. In seguito sarà possibile effettuare tutti i lavori di manutenzione e pulizia.

**9.1 Pulizia**

Dopo ogni utilizzo risciacquare l'apparecchio e tutti i componenti esterni con acqua pulita. Rimuovere le incrostazioni con un getto d'acqua. Sporco e argilla all'interno del corpo pompa (A4) causano un inceppamento della girante e di conseguenza anomalie di funzionamento alla rimessa in funzione.

Qualora si sia dimenticato di eseguire queste operazioni, è possibile immergere l'apparecchio per diversi giorni in acqua con una temperatura massima di 35°C per disciogliere lo sporco.

**9.2 Controllo del funzionamento**

Controllare regolarmente il funzionamento dell'interruttore a galleggiante (A5) per prevenire inconvenienti.

---

**10** STOCCAGGIO

---

L'apparecchio deve assolutamente essere protetto dal gelo e, in caso di temperature di +5°C o inferiori, deve essere smontato e immagazzinato in un ambiente asciutto e al riparo dal gelo.